



US00D661546S

(12) **United States Design Patent**
Baacke et al.

(10) **Patent No.:** **US D661,546 S**
(45) **Date of Patent:** **** Jun. 12, 2012**

(54) **HANDLE FOR A COOKING APPLIANCE**

(75) Inventors: **Sven Baacke**, München (DE);
Hermann-Reinhard Segers, München (DE)

(73) Assignee: **BSH Bosch und Siemens Hausgeraete GmbH**, Munich (DE)

(**) Term: **14 Years**

(21) Appl. No.: **29/403,348**

(22) Filed: **Oct. 5, 2011**

Related U.S. Application Data

(62) Division of application No. 29/396,028, filed on Jun. 24, 2011, now Pat. No. Des. 651,463, which is a division of application No. 29/376,366, filed on Oct. 6, 2010, now Pat. No. Des. 645,702, which is a division of application No. 29/359,525, filed on Apr. 13, 2010, now Pat. No. Des. 630,472, which is a division of application No. 29/345,167, filed on Oct. 12, 2009, now Pat. No. Des. 620,311, which is a division of application No. 29/285,903, filed on Apr. 16, 2007, now Pat. No. Des. 610,404.

(30) **Foreign Application Priority Data**

Nov. 30, 2006 (EM) 000640362

(51) **LOC (9) Cl.** **07-02**

(52) **U.S. Cl.** **D7/405; D8/316**

(58) **Field of Classification Search** D7/339-356,
D7/393-394, 402-406; D8/300-303, 305,
D8/307-308, 310-312, 315-321; D15/79,
D15/81, 85, 89, 91; 62/3.6, 3.62, 3.63, 3.64,
62/246, 248, 231; 312/116, 128, 236, 400-408;
126/25 R, 41 R, 37 R, 38 R, 39 R, 19 R;
16/436; D32/3

See application file for complete search history.

(56) **References Cited**

U.S. PATENT DOCUMENTS

D266,122 S * 9/1982 Haug D8/316

(Continued)

Primary Examiner — T. Chase Nelson

Assistant Examiner — Mark Cavanna

(74) *Attorney, Agent, or Firm* — James E. Howard; Andre Pallapies

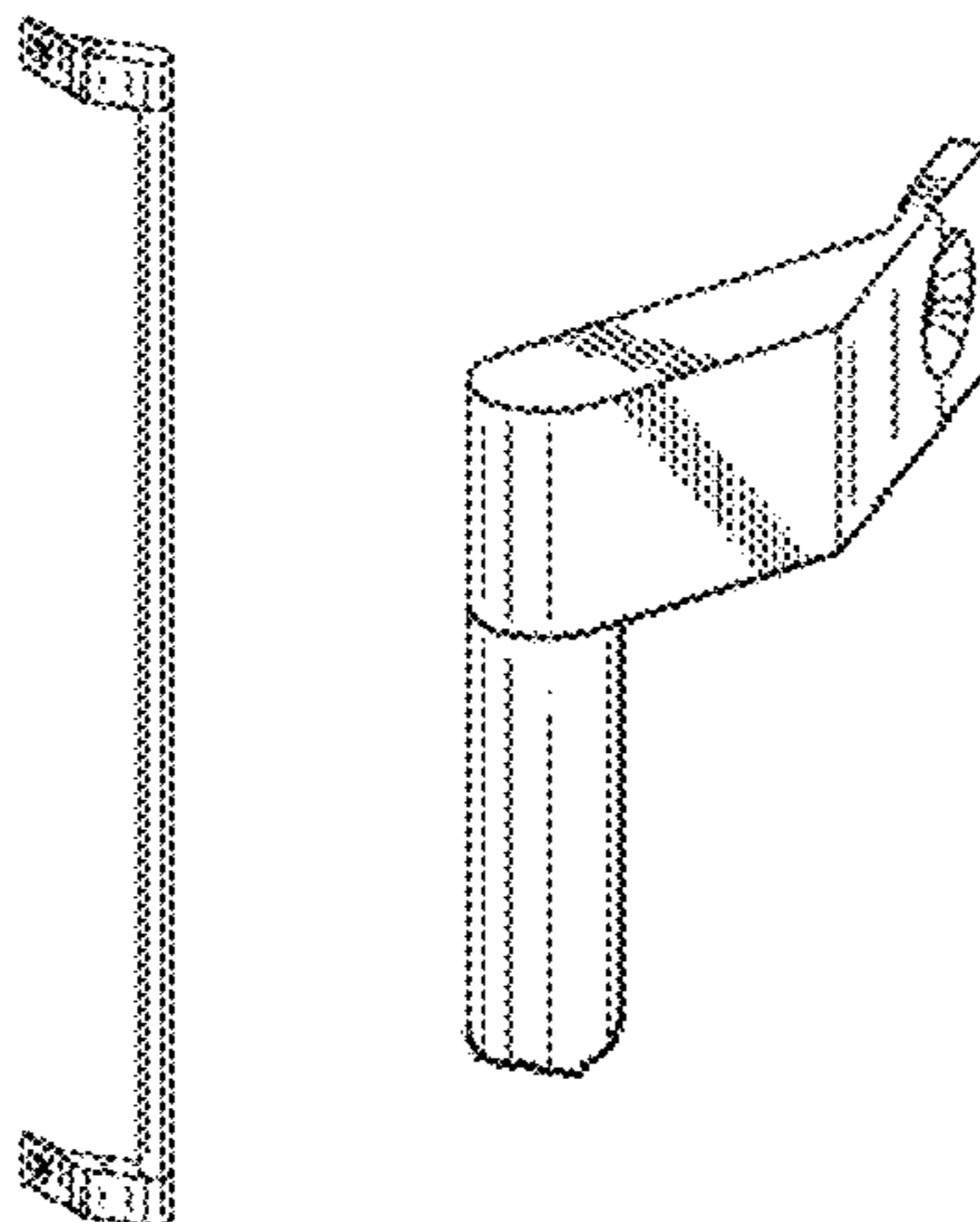
(57) **CLAIM**

The ornamental design for a handle for a cooking appliance, as shown and described.

DESCRIPTION

FIG. 1 is a perspective view showing a handle for a cooking appliance showing our new ornamental design;
FIG. 2 is a front view thereof;
FIG. 3 is a right side view thereof;
FIG. 4 is a rear view thereof;
FIG. 5 is a left side view thereof;
FIG. 6 is a bottom view thereof;
FIG. 7 is a top view thereof;
FIG. 8 is a perspective view showing a handle for a cooking appliance showing our new ornamental design;
FIG. 9 is a front view thereof;
FIG. 10 is a right side view thereof;
FIG. 11 is a rear view thereof;
FIG. 12 is a left side view thereof;
FIG. 13 is a bottom view thereof;
FIG. 14 is a top view thereof;
FIG. 15 is a perspective view showing a handle for a cooking appliance showing our new ornamental design;
FIG. 16 is a front view thereof;
FIG. 17 is a right side view thereof;
FIG. 18 is a rear view thereof;
FIG. 19 is a left side view thereof;
FIG. 20 is a bottom view thereof;
FIG. 21 is a top view thereof;
FIG. 22 is a perspective view showing a handle for a cooking appliance showing our new ornamental design;
FIG. 23 is a front view thereof;
FIG. 24 is a right side view thereof;
FIG. 25 is a rear view thereof;
FIG. 26 is a left side view thereof;
FIG. 27 is a bottom view thereof;
FIG. 28 is a top view thereof; and,
FIG. 29 is an enlarged partial perspective view showing details of one end of the handle shown in FIGS. 1-28.

1 Claim, 4 Drawing Sheets



US D661,546 S

Page 2

U.S. PATENT DOCUMENTS

D370,617 S *	6/1996	Decursu et al.	D8/316	D539,994 S *	4/2007	Pezzetta et al.	D32/3
D374,372 S *	10/1996	Holbrook, Jr.	D7/340	D561,787 S *	2/2008	Choi	D15/89
D391,800 S *	3/1998	Holbrook, Jr.	D7/340	D562,361 S *	2/2008	Kwak	D15/89
D400,424 S *	11/1998	Lewis et al.	D8/316	D568,100 S *	5/2008	Jeon	D7/402
D405,311 S *	2/1999	Holbrook, Jr.	D7/340	D572,109 S *	7/2008	Busalt et al.	D8/316
D449,215 S *	10/2001	Bertani	D8/316	D572,110 S *	7/2008	Busalt et al.	D8/316
D475,569 S *	6/2003	Nichols	D7/340	D572,111 S *	7/2008	Busalt et al.	D8/316
D486,349 S *	2/2004	Nichols	D7/340	D587,067 S *	2/2009	Kim	D7/402
D495,556 S *	9/2004	Milrud et al.	D7/405	D610,173 S *	2/2010	Kim	D15/89
D524,093 S *	7/2006	Home	D7/340	2003/0056334 A1 *	3/2003	Finkelstein	16/436

* cited by examiner



Fig. 1



Fig. 2

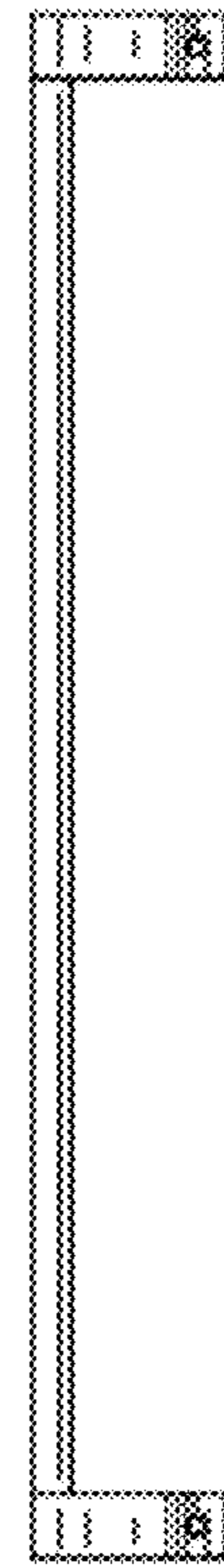


Fig. 3

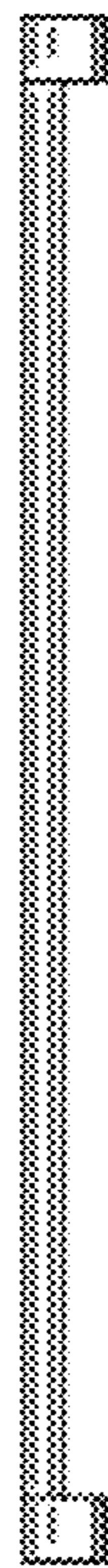


Fig. 4



Fig. 5



Fig. 6



Fig. 7



Fig. 8



Fig. 9

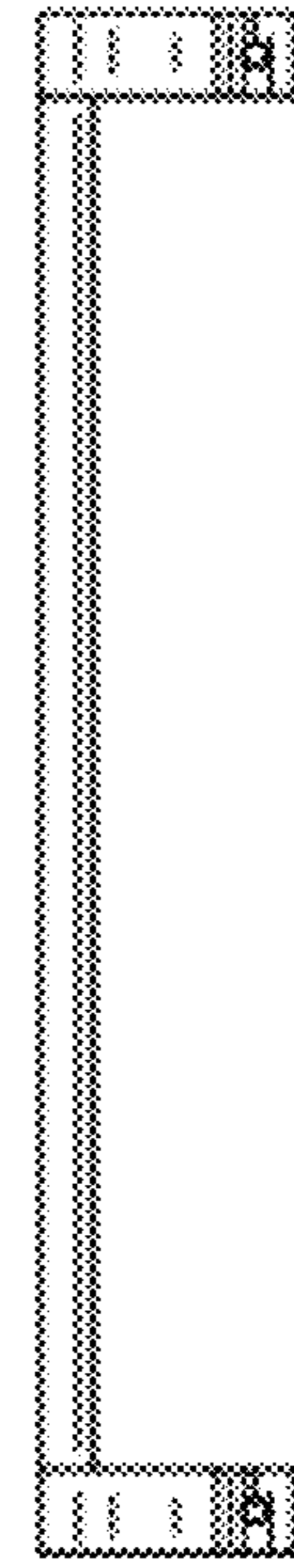


Fig. 10

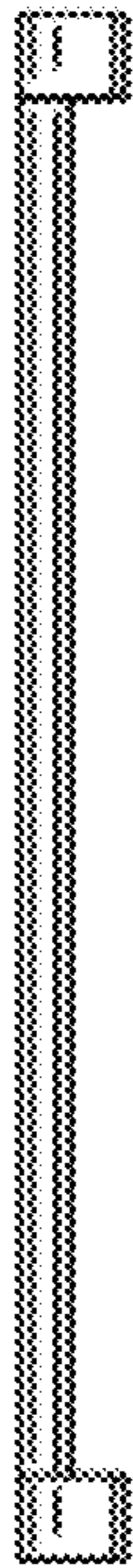


Fig. 11



Fig. 12



Fig. 13



Fig. 14



Fig. 15



Fig. 16

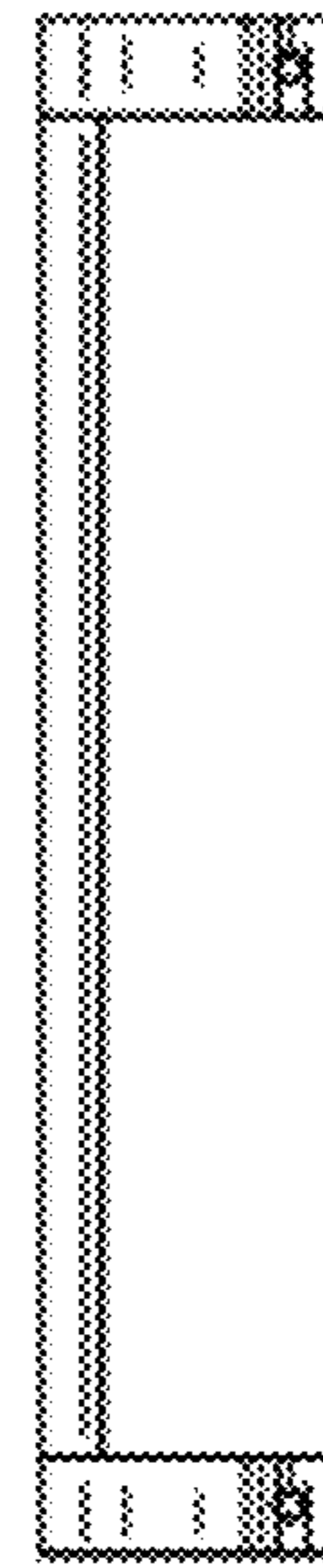


Fig. 17

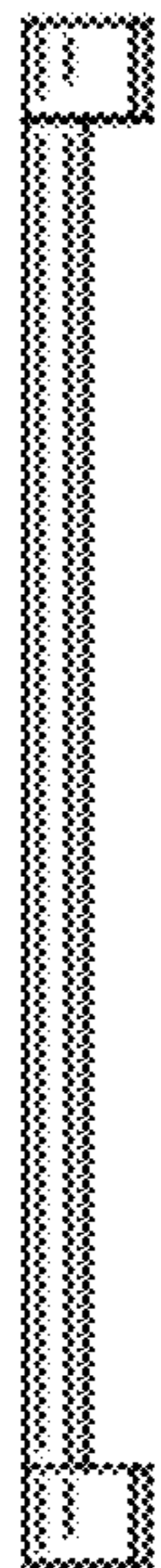


Fig. 18



Fig. 19



Fig. 20



Fig. 21

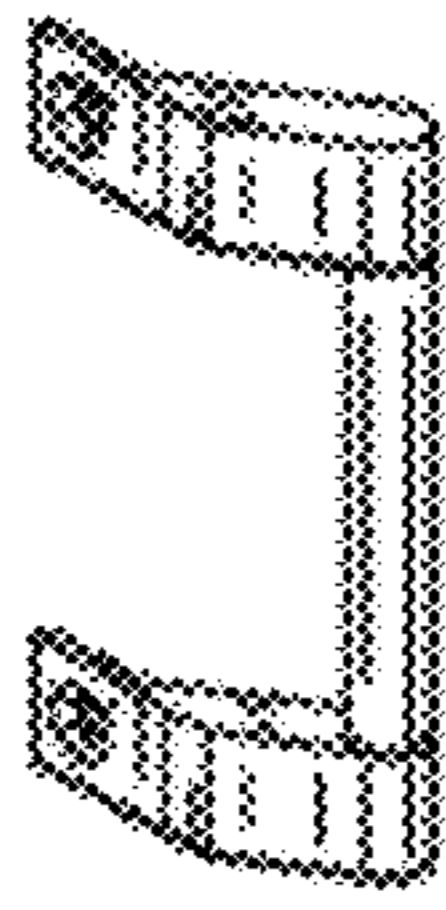


Fig. 22



Fig. 23

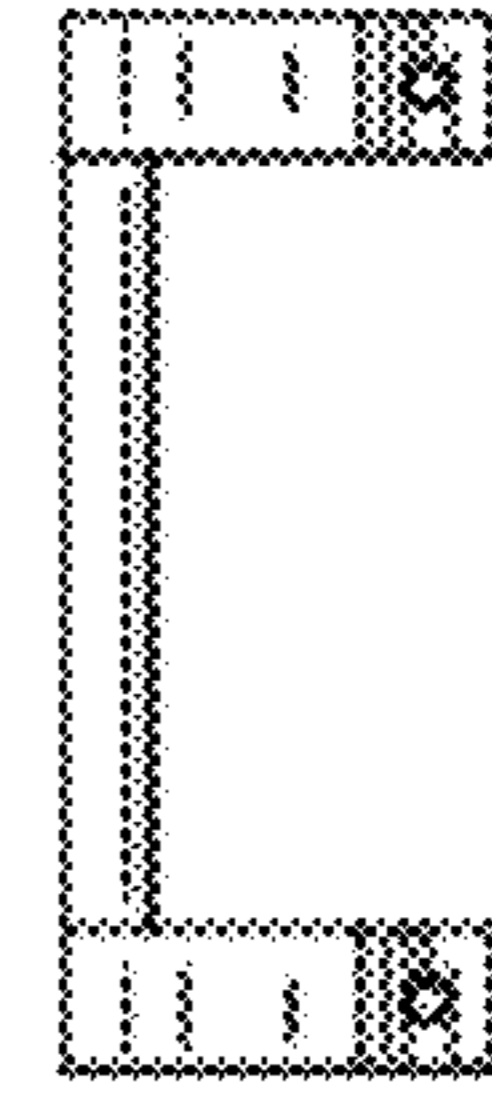


Fig. 24



Fig. 25



Fig. 26

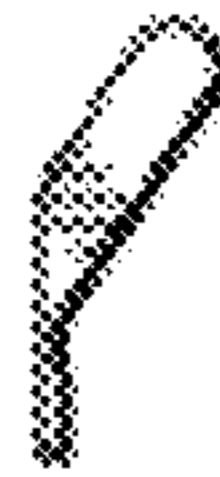


Fig. 27



Fig. 28

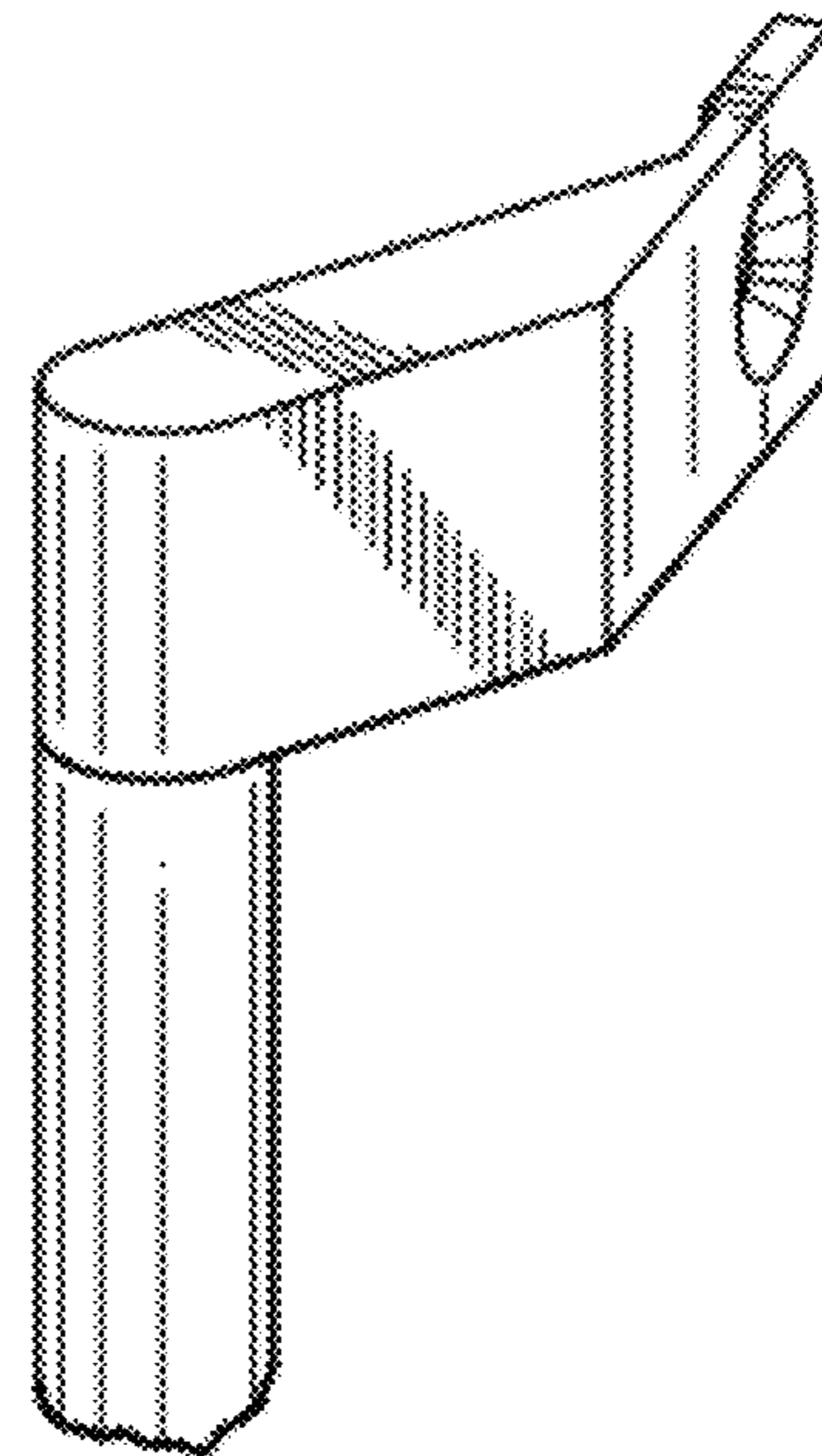


Fig. 29