



US00D661544S

(12) **United States Design Patent**  
**Enghard**

(10) **Patent No.:** **US D661,544 S**

(45) **Date of Patent:** **\*\* Jun. 12, 2012**

(54) **INGREDIENT RESERVOIR INSERT FOR A BEVERAGE SHAKER CUP**

(76) Inventor: **Florian Enghard**, Sulzbach (DE)

(\*\*) Term: **14 Years**

(21) Appl. No.: **29/388,017**

(22) Filed: **Mar. 23, 2011**

(30) **Foreign Application Priority Data**

Sep. 23, 2010 (DE) ..... 40 2010 005 005

(51) **LOC (9) Cl.** ..... **07-01**

(52) **U.S. Cl.** ..... **D7/397; D7/300.1; D7/300; D7/532; D7/213; D7/396.2**

(58) **Field of Classification Search** ..... D7/509, D7/532, 397, 400, 396.2, 213, 300.1, 300; 220/592.17; 215/387, 11.1; 206/217  
See application file for complete search history.

(56) **References Cited**

**U.S. PATENT DOCUMENTS**

|                |         |               |       |            |
|----------------|---------|---------------|-------|------------|
| D266,894 S *   | 11/1982 | Bersten       | ..... | D7/400     |
| D270,513 S *   | 9/1983  | Wallsten      | ..... | D7/400     |
| D327,093 S *   | 6/1992  | Evenson       | ..... | D19/85     |
| D334,874 S *   | 4/1993  | Mealey et al. | ..... | D7/667     |
| 6,170,693 B1 * | 1/2001  | Goto          | ..... | 220/592.17 |
| D567,021 S *   | 4/2008  | Bach et al.   | ..... | D7/400     |
| 7,571,830 B2 * | 8/2009  | Lin           | ..... | 220/212    |

|              |         |             |       |          |
|--------------|---------|-------------|-------|----------|
| D604,984 S * | 12/2009 | Kalamaras   | ..... | D7/300.1 |
| D620,742 S * | 8/2010  | Lion et al. | ..... | D7/316   |
| D653,492 S * | 2/2012  | Enghard     | ..... | D7/300.1 |
| D653,493 S * | 2/2012  | Enghard     | ..... | D7/300.1 |

\* cited by examiner

*Primary Examiner* — Marianne Pandozzi

(74) *Attorney, Agent, or Firm* — W. F. Fasse

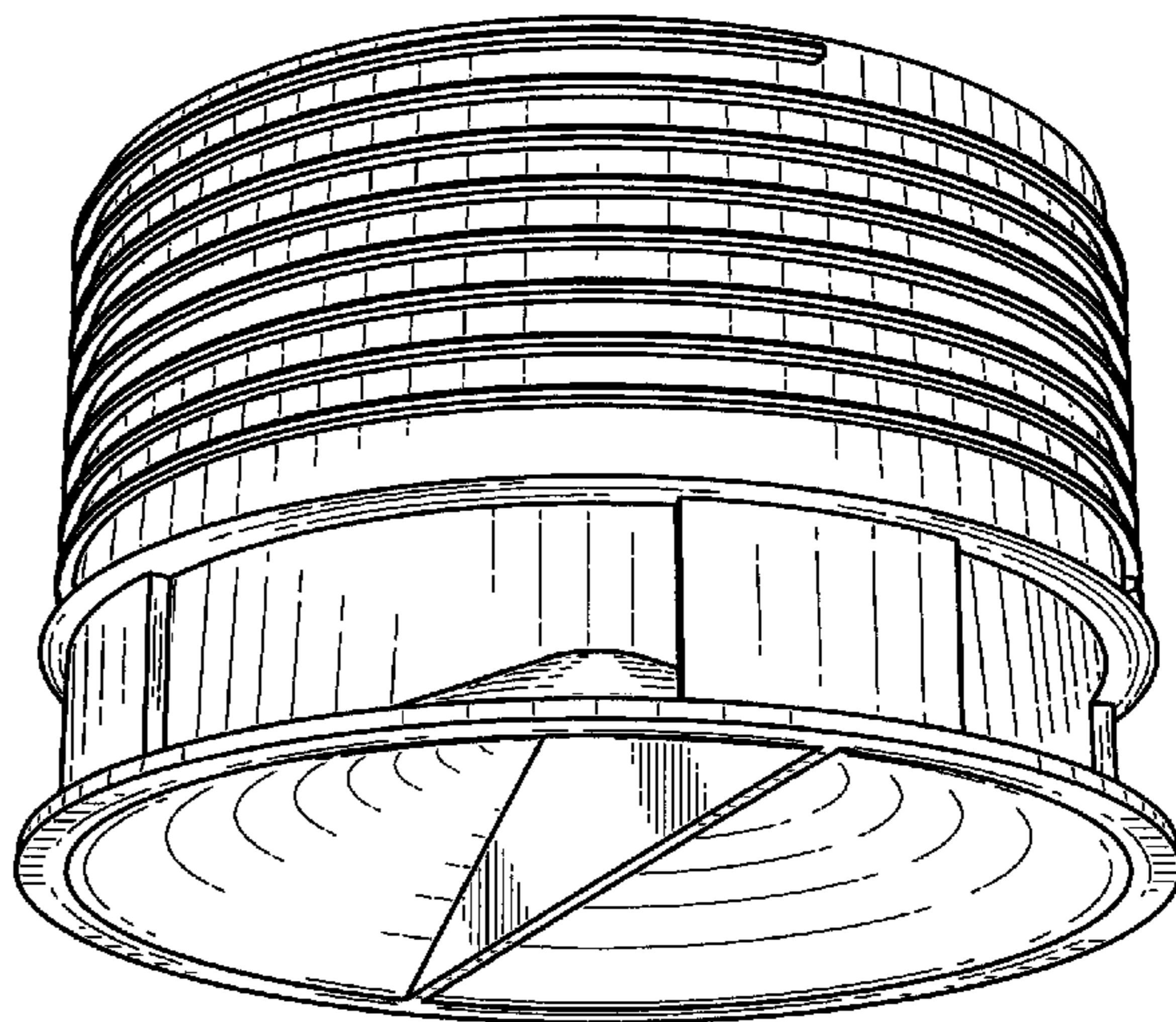
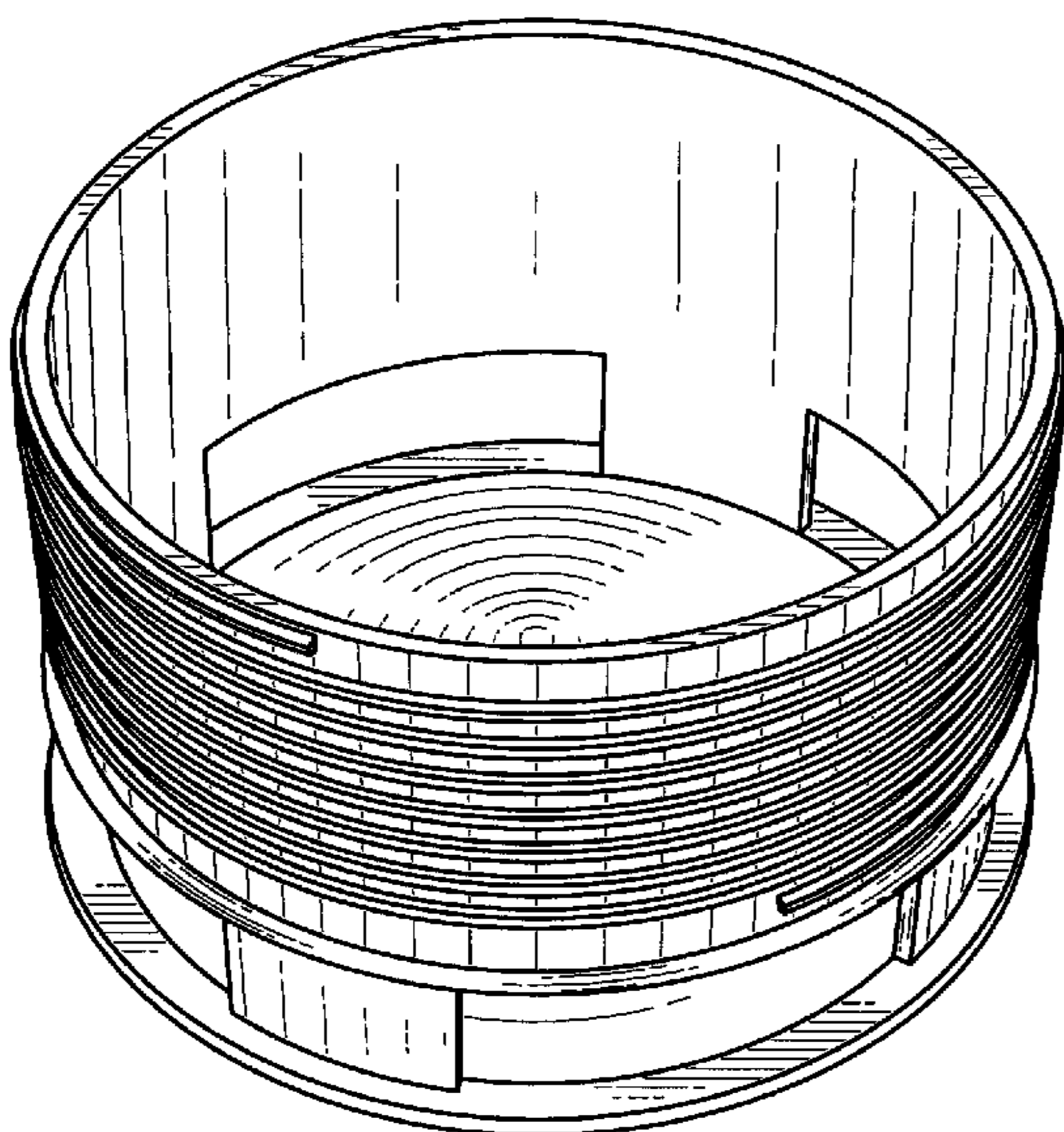
(57) **CLAIM**

The ornamental design for an ingredient reservoir insert for a beverage shaker cup, as shown and described.

**DESCRIPTION**

FIG. 1 is a top front perspective view of an ingredient reservoir insert for a beverage shaker cup showing my new design. FIG. 2 is a bottom front left perspective view thereof. FIG. 3 is a front elevation view thereof. FIG. 4 is a back elevation view thereof. FIG. 5 is a right side elevation view thereof. FIG. 6 is a left side elevation view thereof. FIG. 7 is a top plan view thereof. FIG. 8 is a bottom plan view thereof. FIG. 9 is a bottom front perspective view of an ingredient reservoir insert for a beverage shaker cup showing a second embodiment of my new design; FIG. 10 is a right side elevation view thereof. FIG. 11 is a back elevation view thereof; and, FIG. 12 is a left side elevation view thereof.

**1 Claim, 7 Drawing Sheets**



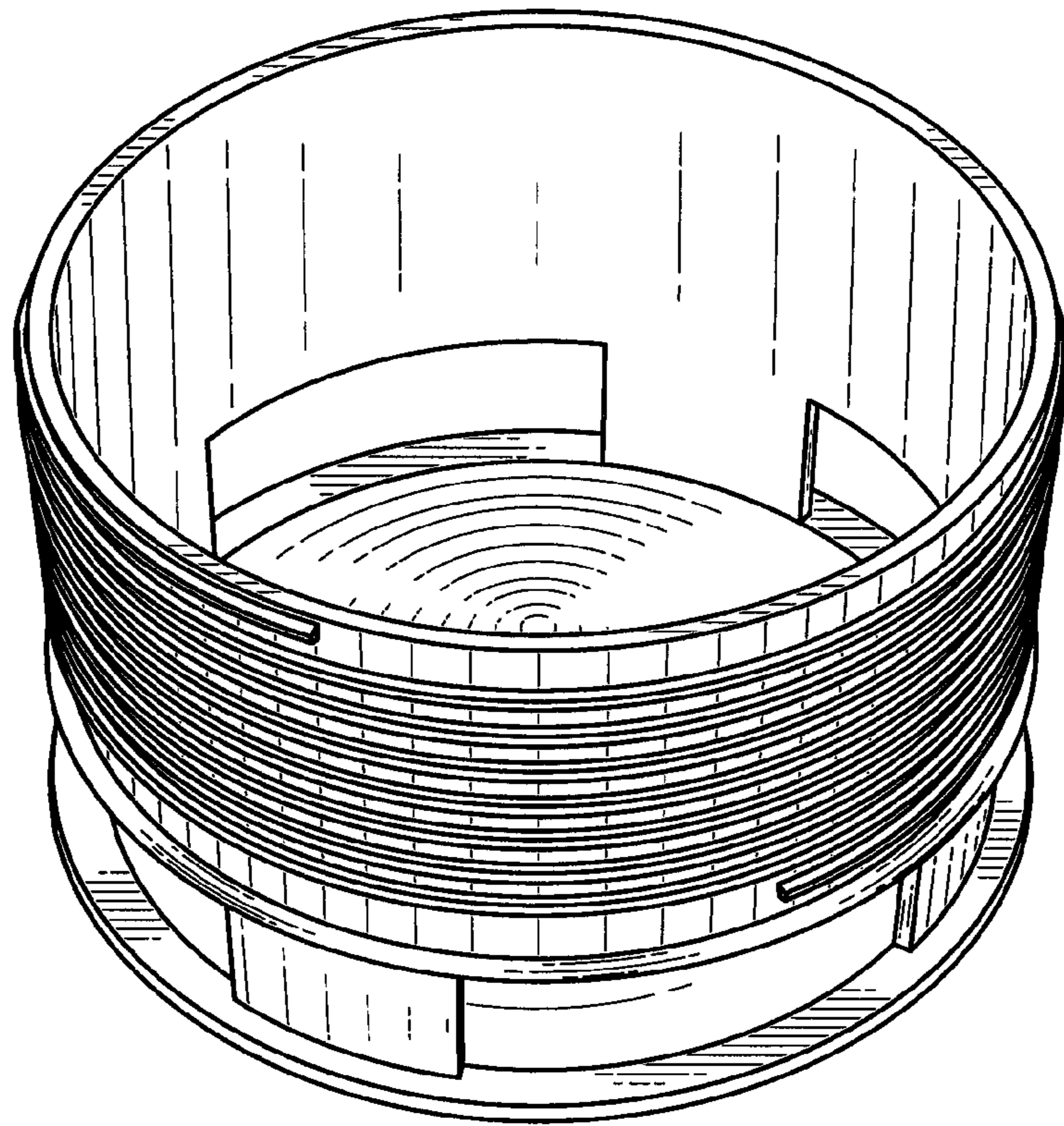


FIG. 1

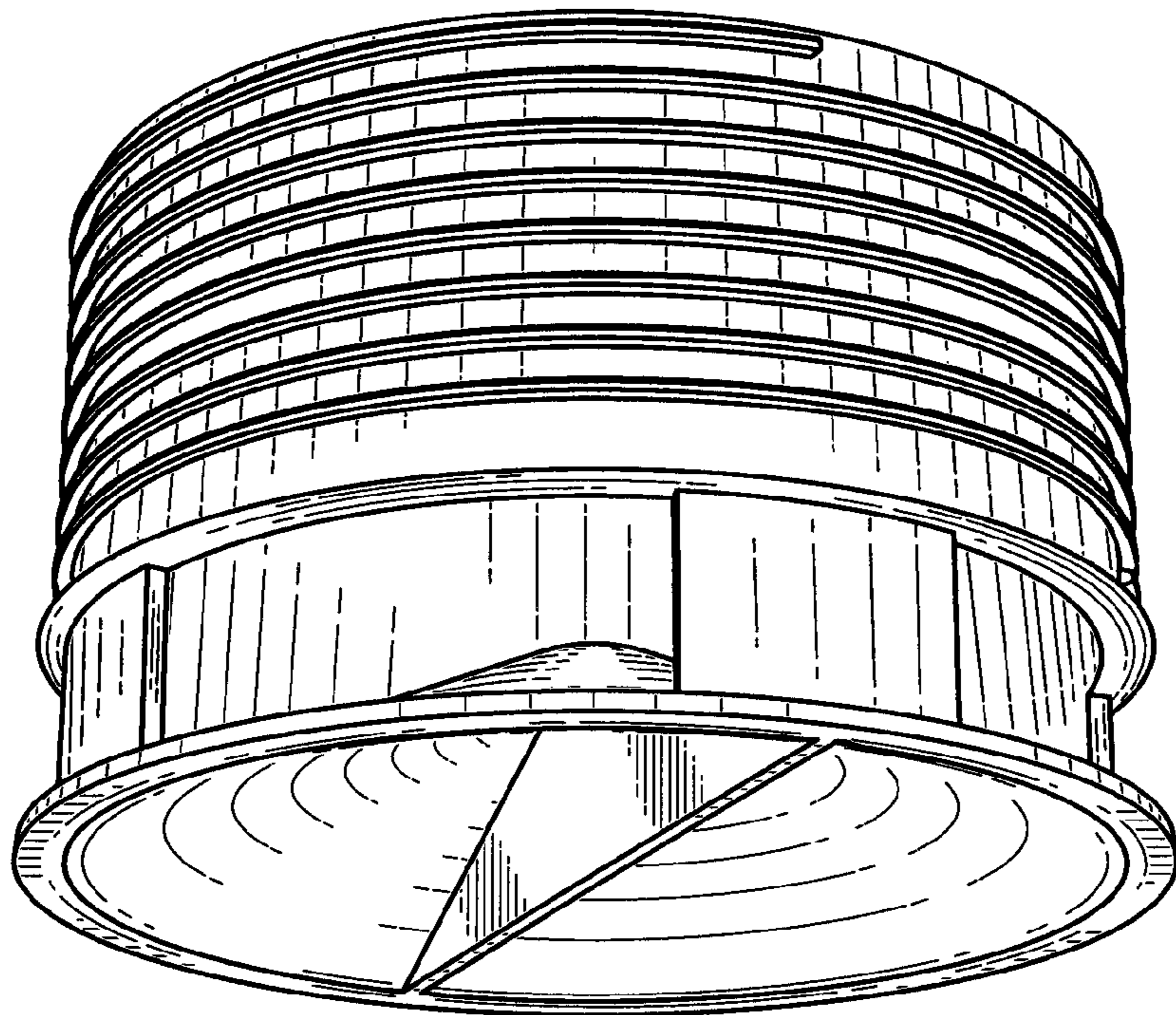


FIG. 2

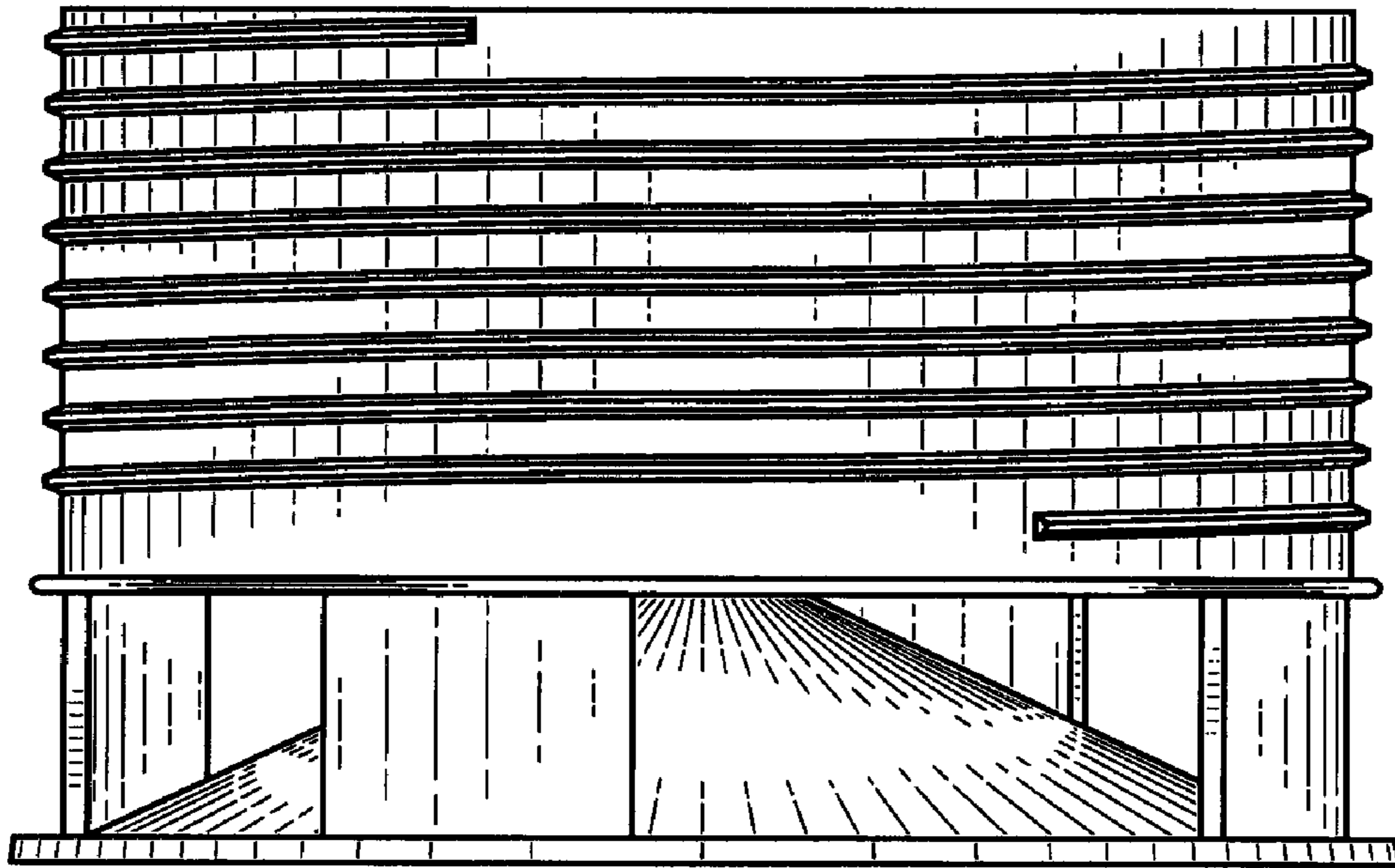


FIG. 3

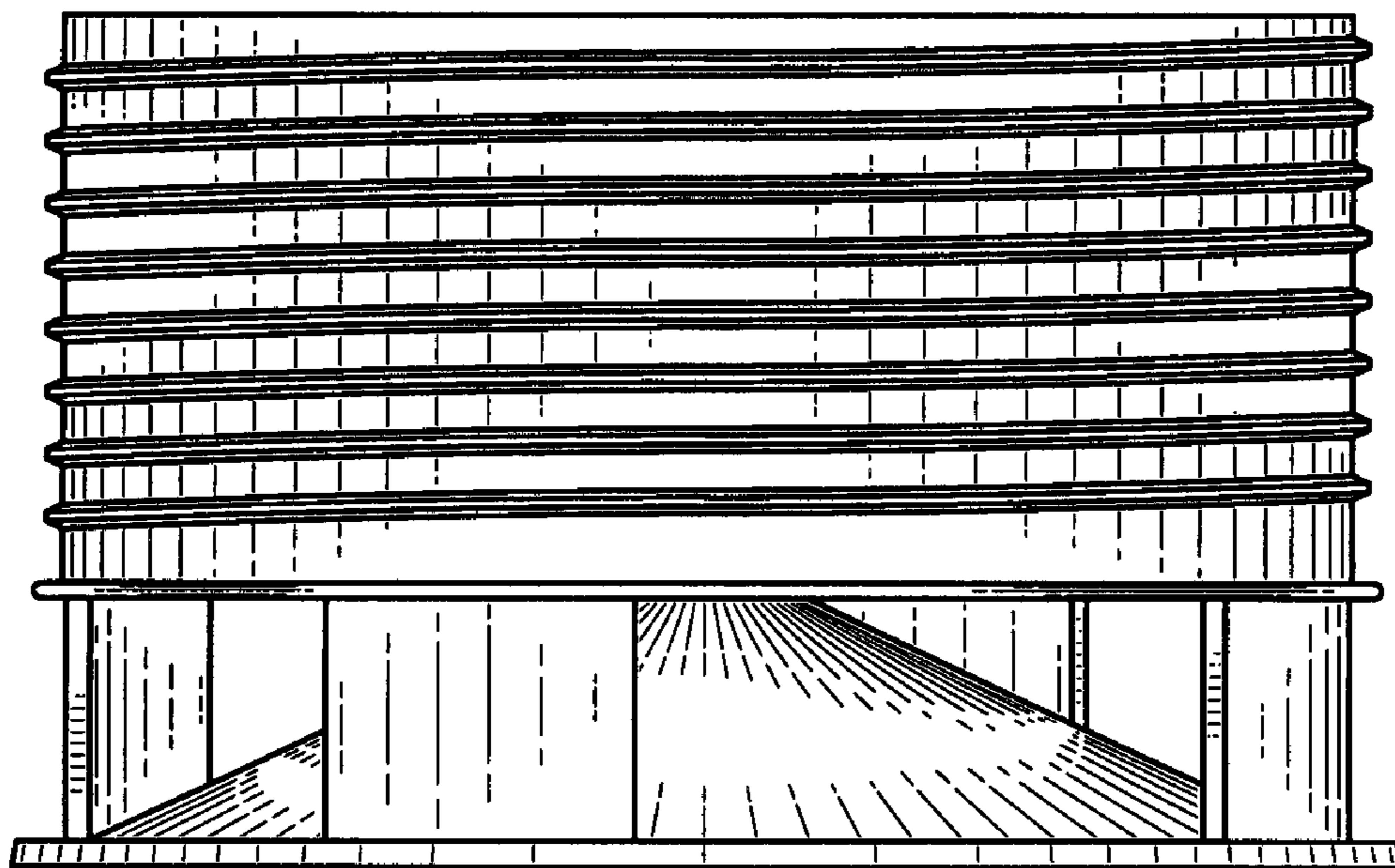


FIG. 4

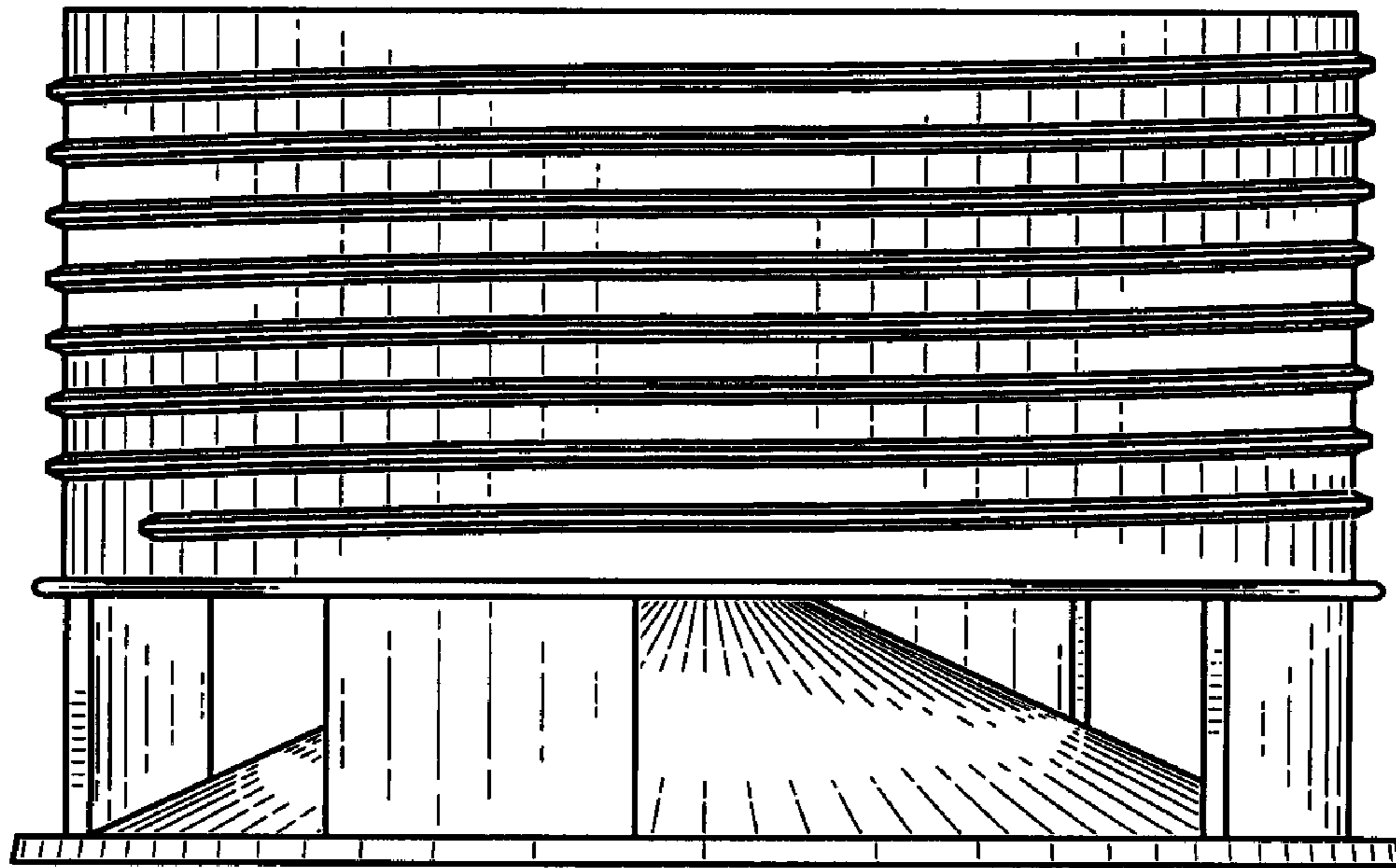


FIG. 5

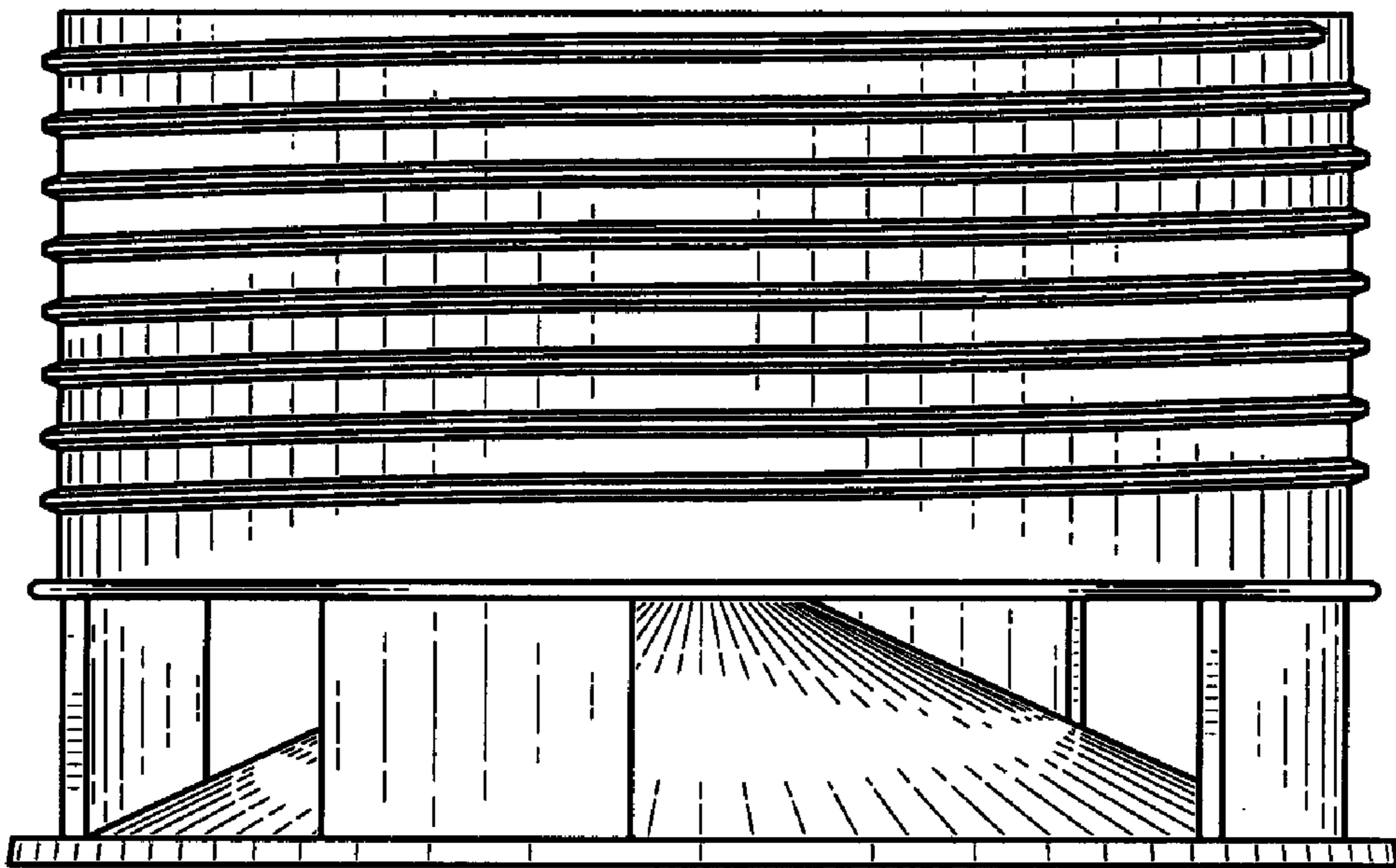


FIG. 6

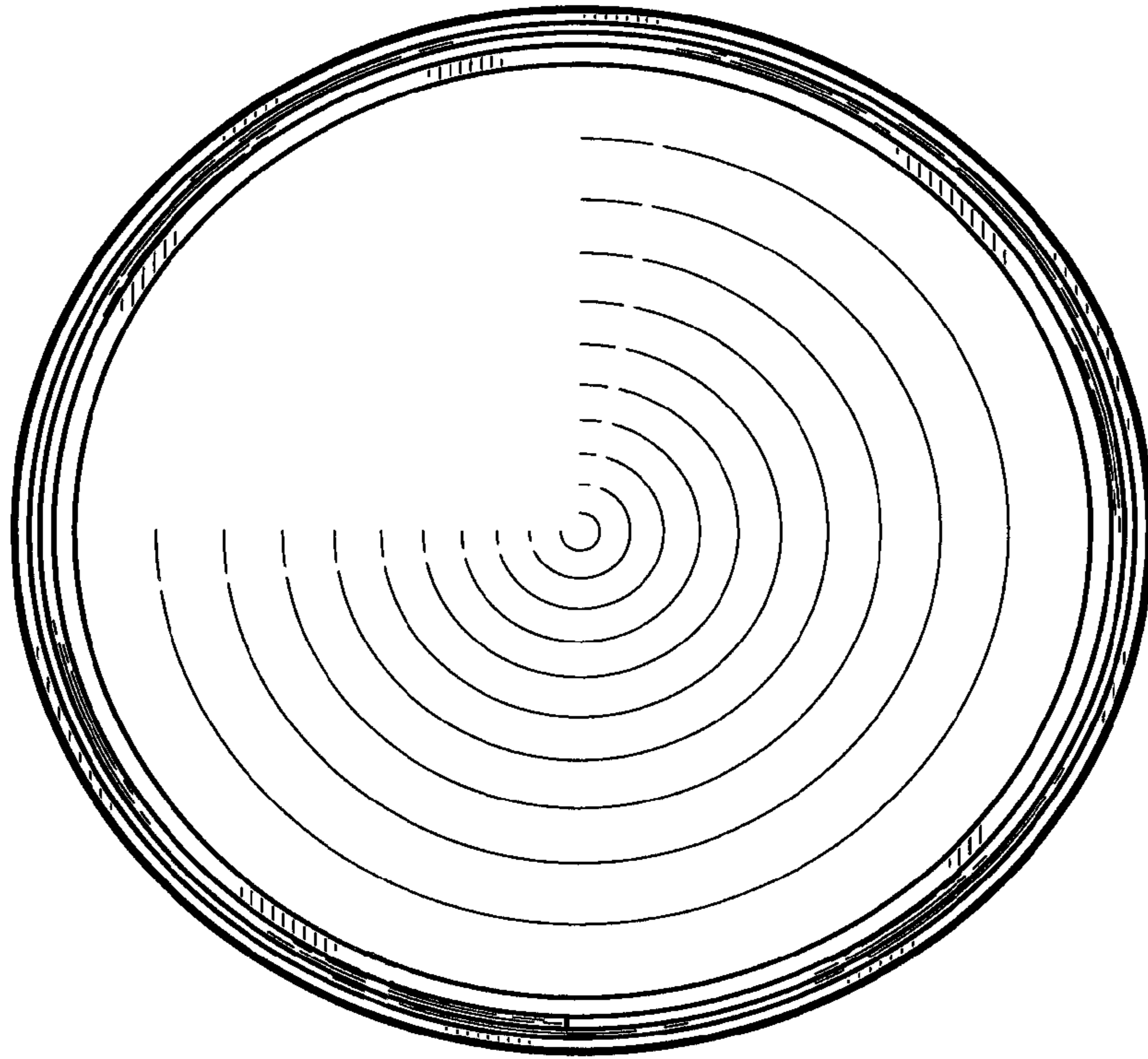


FIG. 7

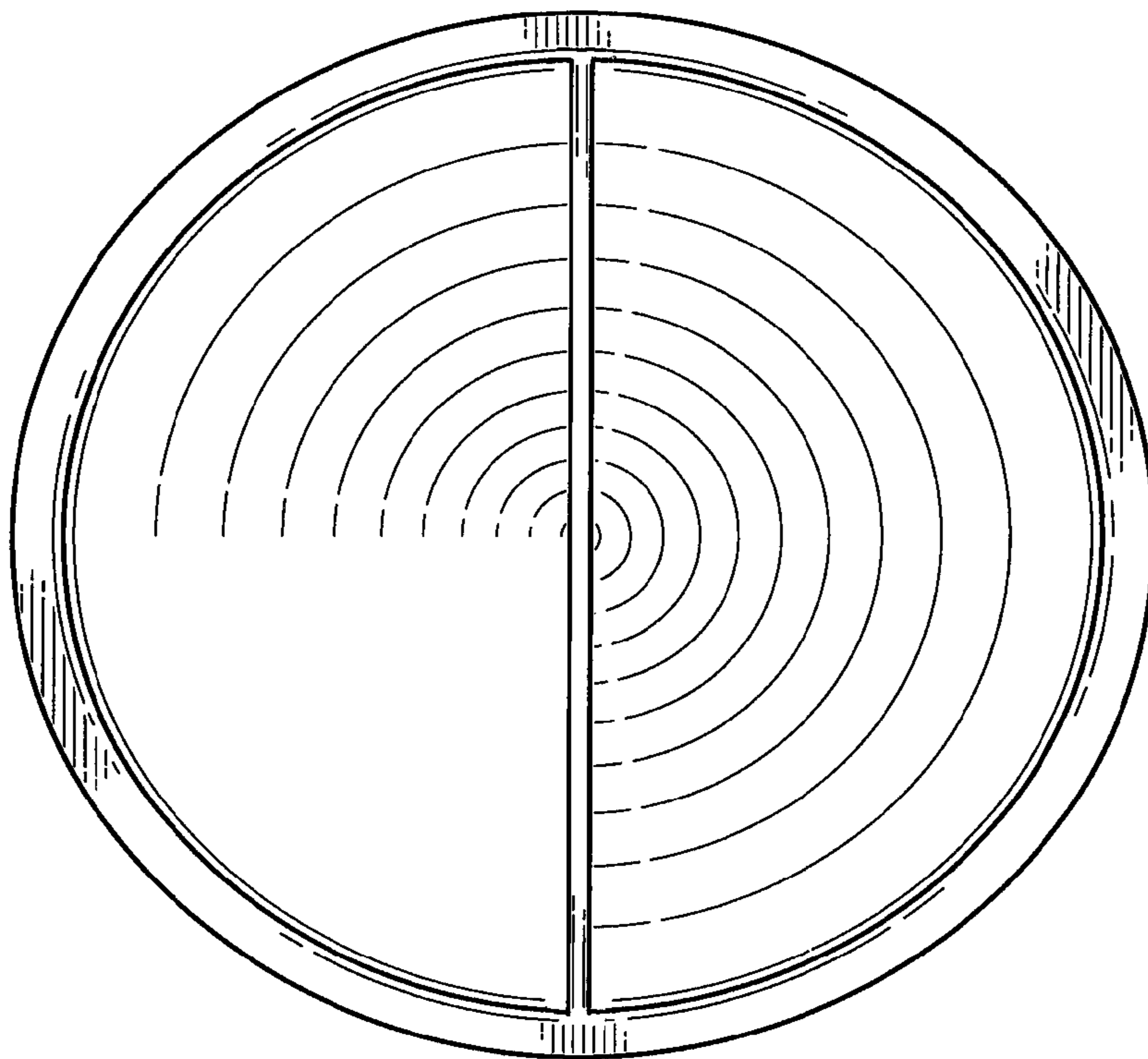


FIG. 8

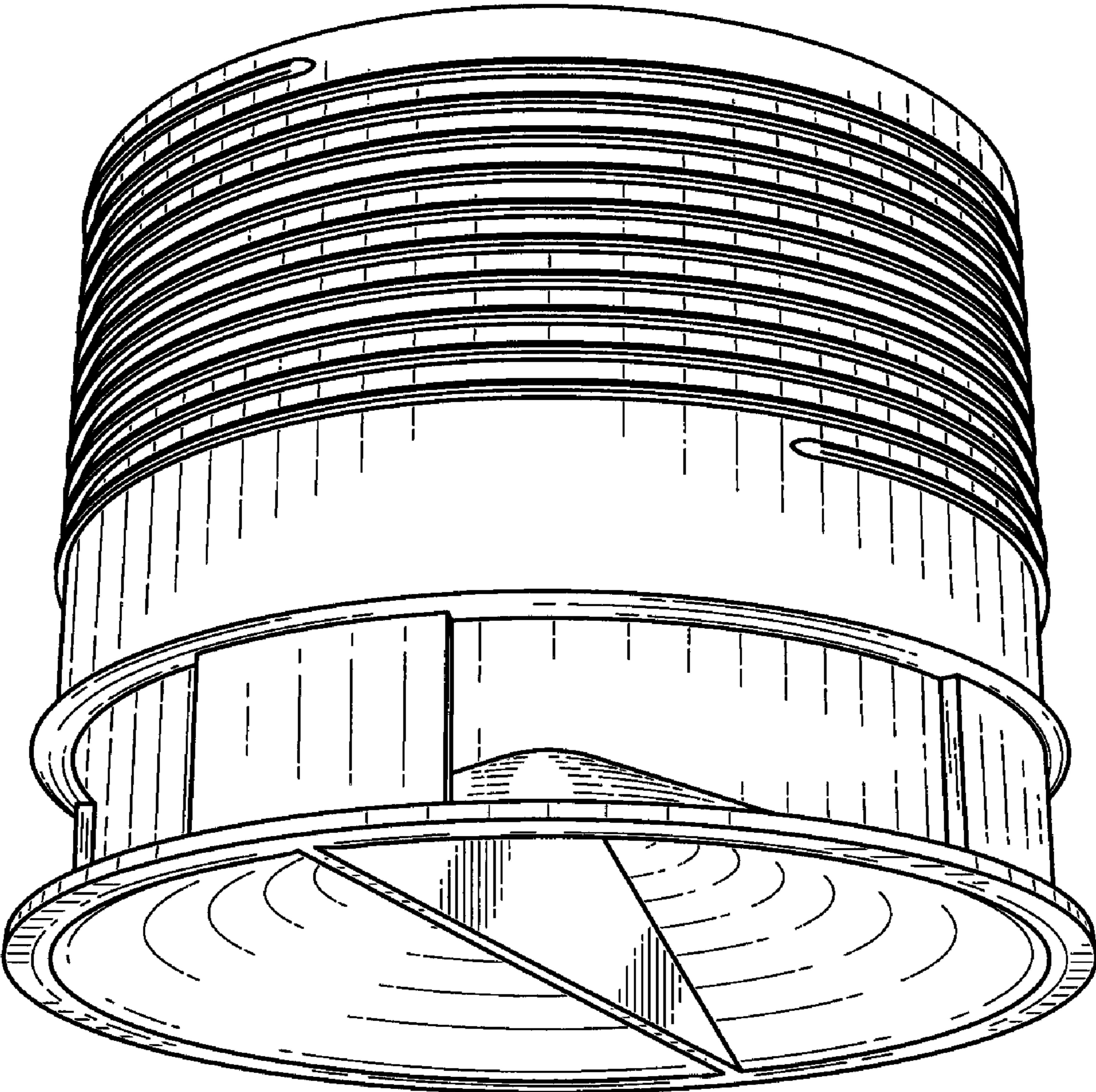


FIG. 9

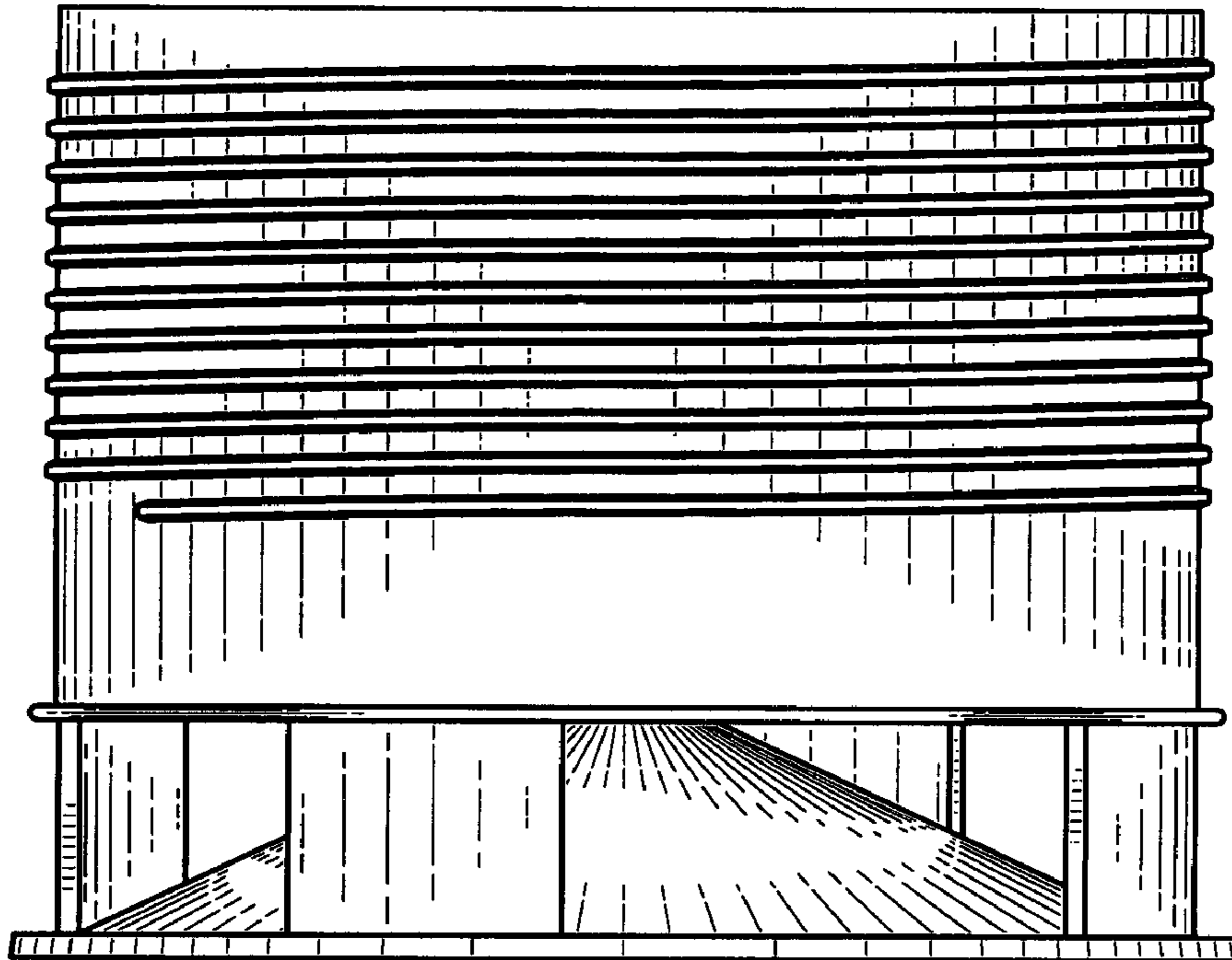


FIG. 10

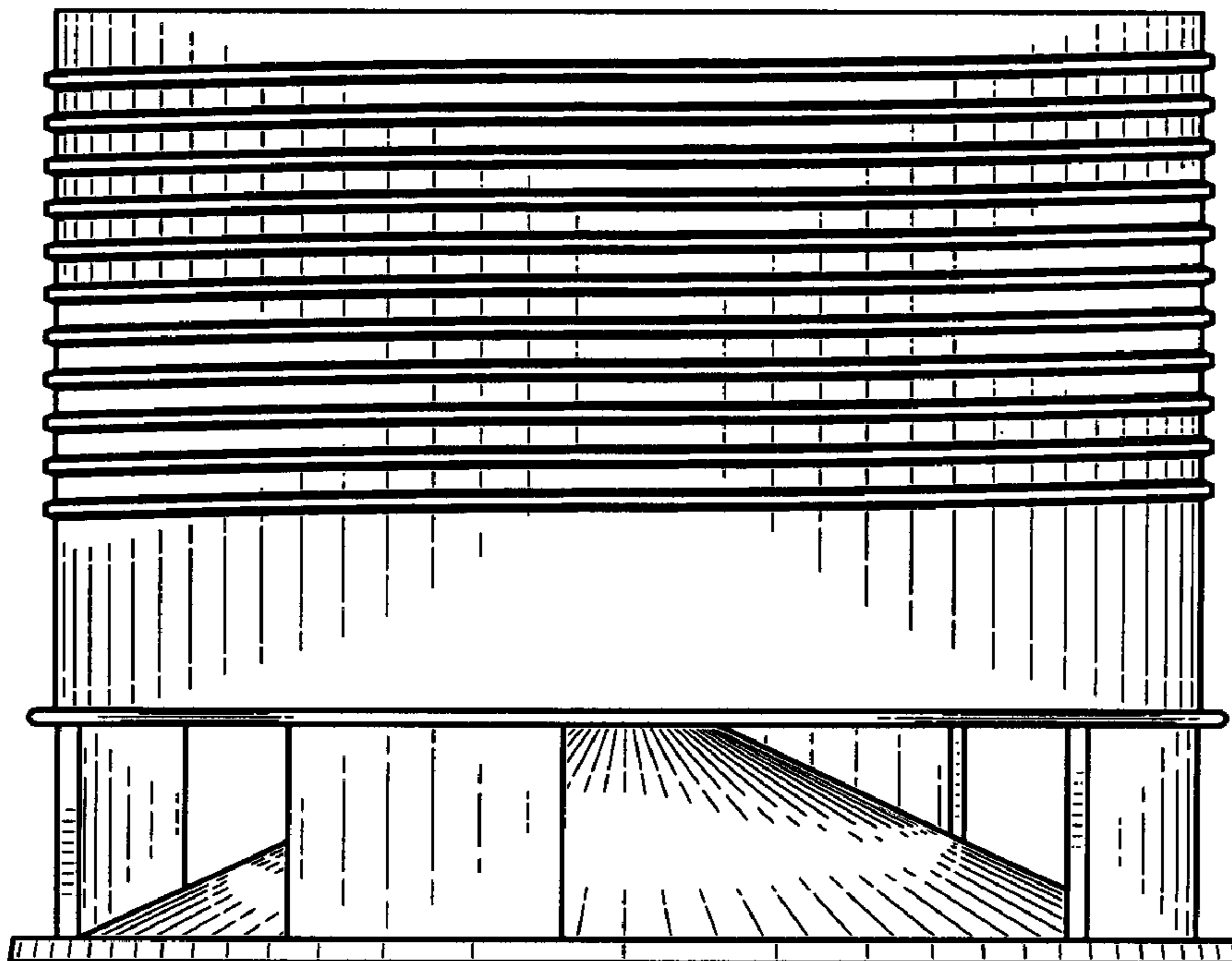


FIG. 11

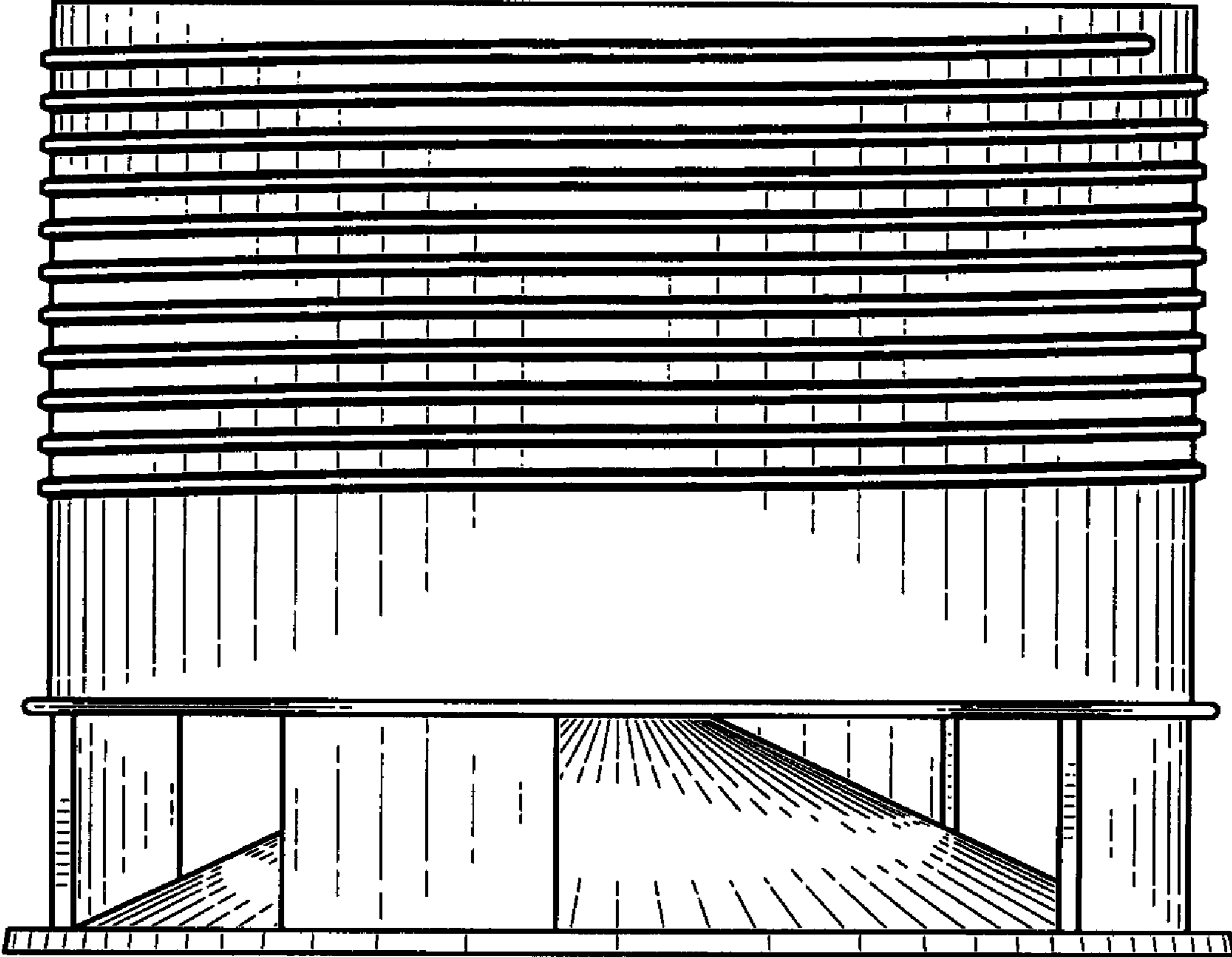


FIG. 12