

US00D661542S

(12) **United States Design Patent**
Lee

(10) **Patent No.:** **US D661,542 S**
(45) **Date of Patent:** **** Jun. 12, 2012**

(54) **CENTER PILLAR INFRARED GRILL**

(76) Inventor: **Jin-Hee Lee**, Goyang-si (KR)

(**) Term: **14 Years**

(21) Appl. No.: **29/359,323**

(22) Filed: **Apr. 8, 2010**

(51) **LOC (9) Cl.** **07-02**

(52) **U.S. Cl.** **D7/362**

(58) **Field of Classification Search** D7/323,
D7/330-331, 337, 339, 347, 350-367, 378-379,
D7/383-384, 391-395, 501, 542-545, 560;
D30/129; 99/324-327, 329 R, 330-339,
99/353, 372, 375, 400, 412-413, 425; 211/78;
219/432-433, 438-441, 451.1, 620-622,
219/725-730; 220/203.1, 203.07, 203.09,
220/298, 303, 316, 356.1, 573.1-574, 769,
220/912; 432/65

See application file for complete search history.

(56) **References Cited**

U.S. PATENT DOCUMENTS

3,425,364 A * 2/1969 Martin, Jr. 432/65
3,610,885 A * 10/1971 Zingg 219/451.1

4,487,116 A * 12/1984 Routhier 99/339
4,664,025 A * 5/1987 Martinez 99/331
4,683,813 A * 8/1987 Schultz 99/353
D338,288 S * 8/1993 Key D30/129
5,894,944 A * 4/1999 Swift 211/78
D420,852 S * 2/2000 Demers D7/501
D439,792 S * 4/2001 Hedrington et al. D7/323
D498,116 S * 11/2004 Papanastasiou D7/362

* cited by examiner

Primary Examiner — Ricky Pham

(74) *Attorney, Agent, or Firm* — Kile Park Goekjian Reed & McManus PLLC

(57) **CLAIM**

The ornamental design for a center pillar infrared grill, as shown and described.

DESCRIPTION

FIG. 1 is a perspective view of a center pillar infrared grill showing my new design;
FIG. 2 is a front view thereof;
FIG. 3 is a rear view thereof;
FIG. 4 is another side view thereof;
FIG. 5 is a top plan view thereof; and,
FIG. 6 is a bottom plan view thereof.

1 Claim, 6 Drawing Sheets

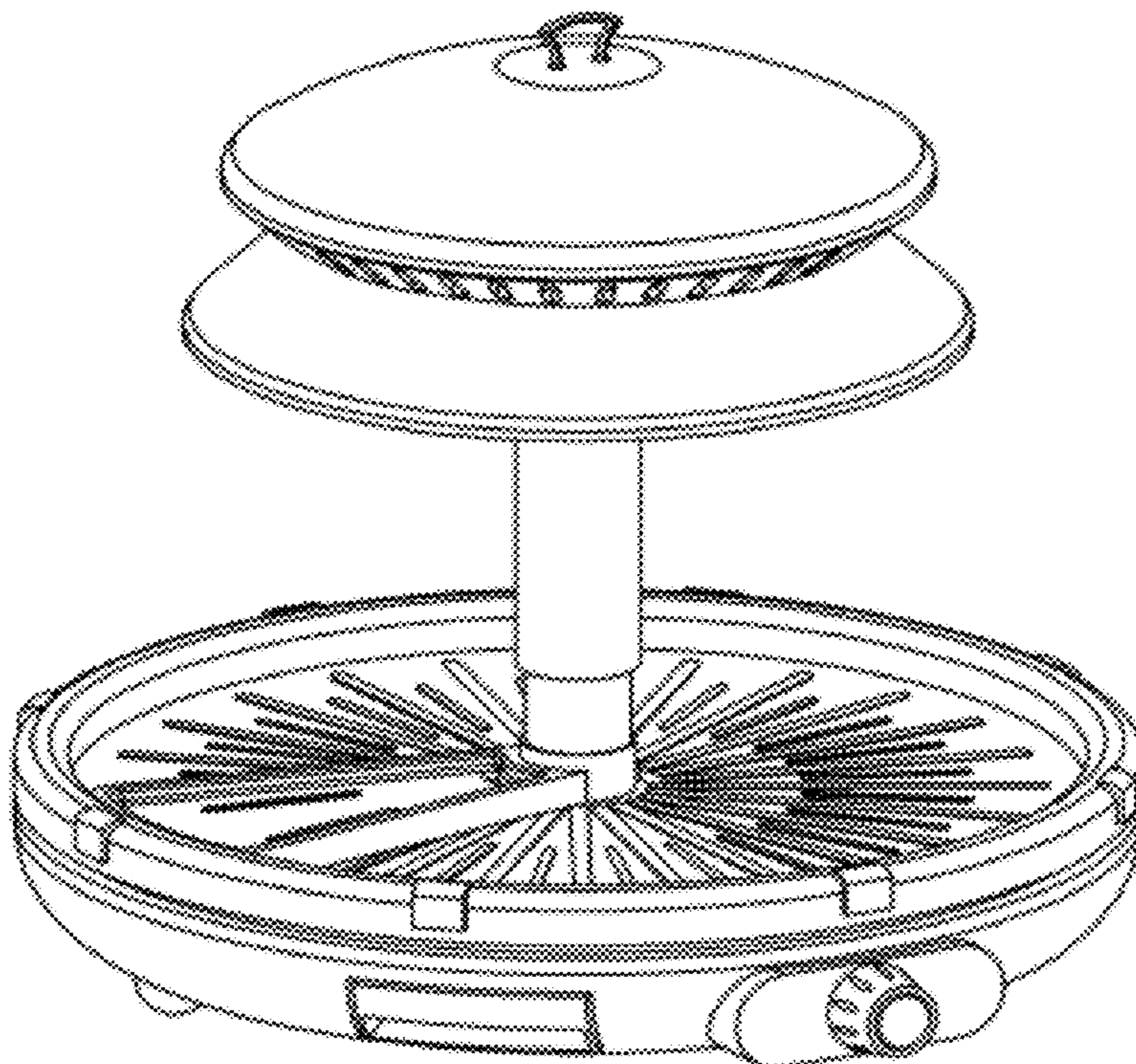


FIG. 1

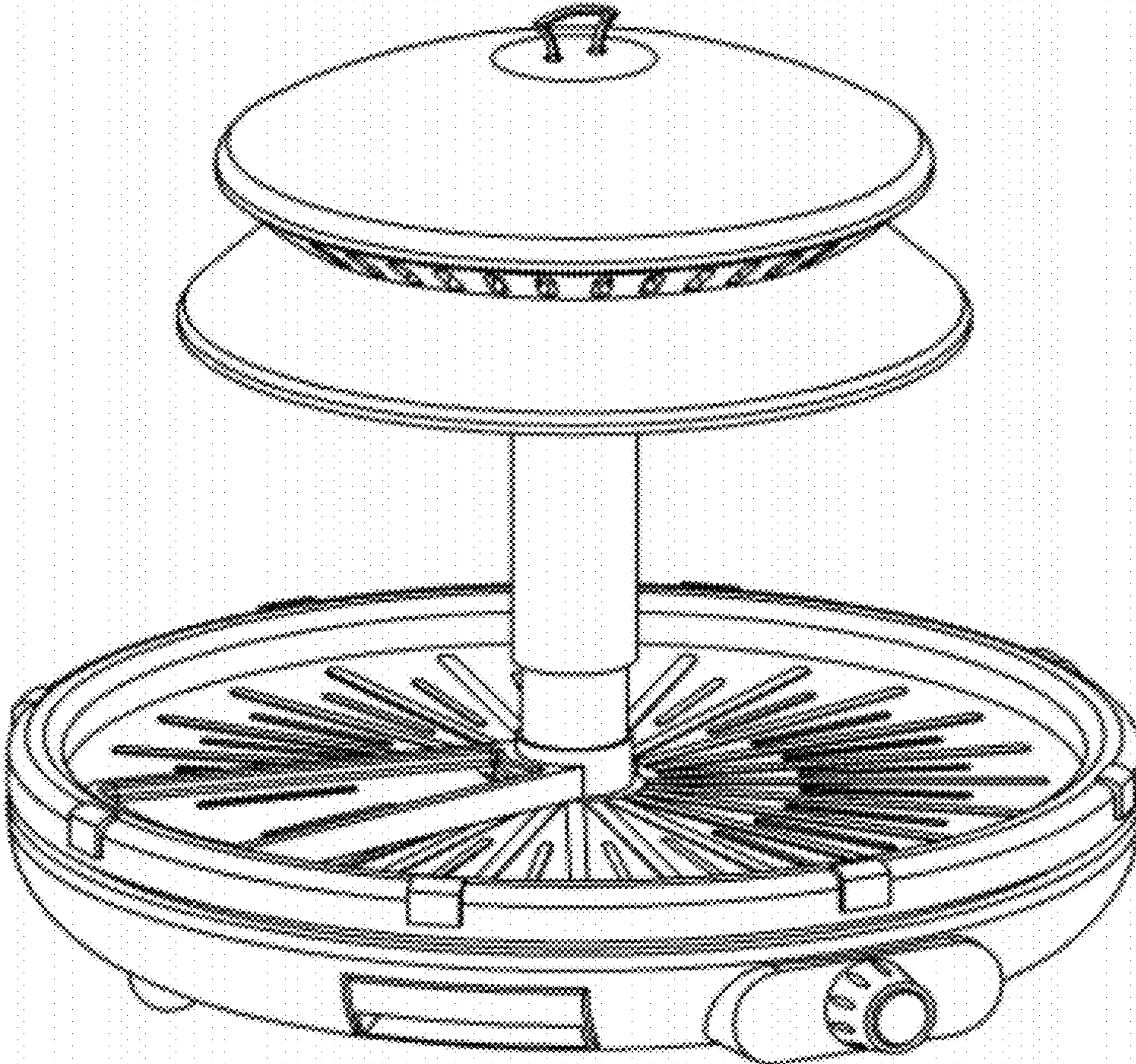


FIG. 2

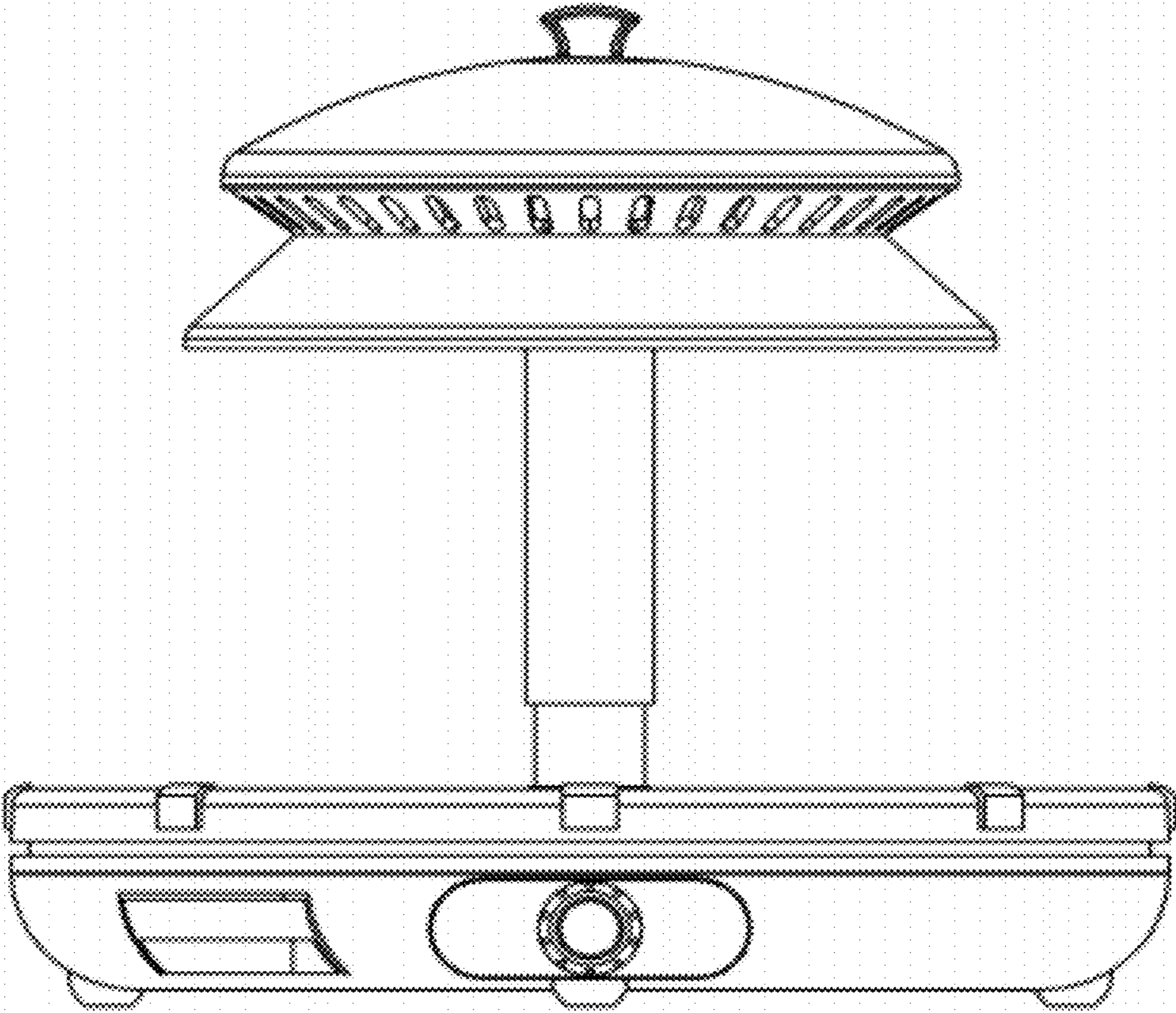


FIG. 3

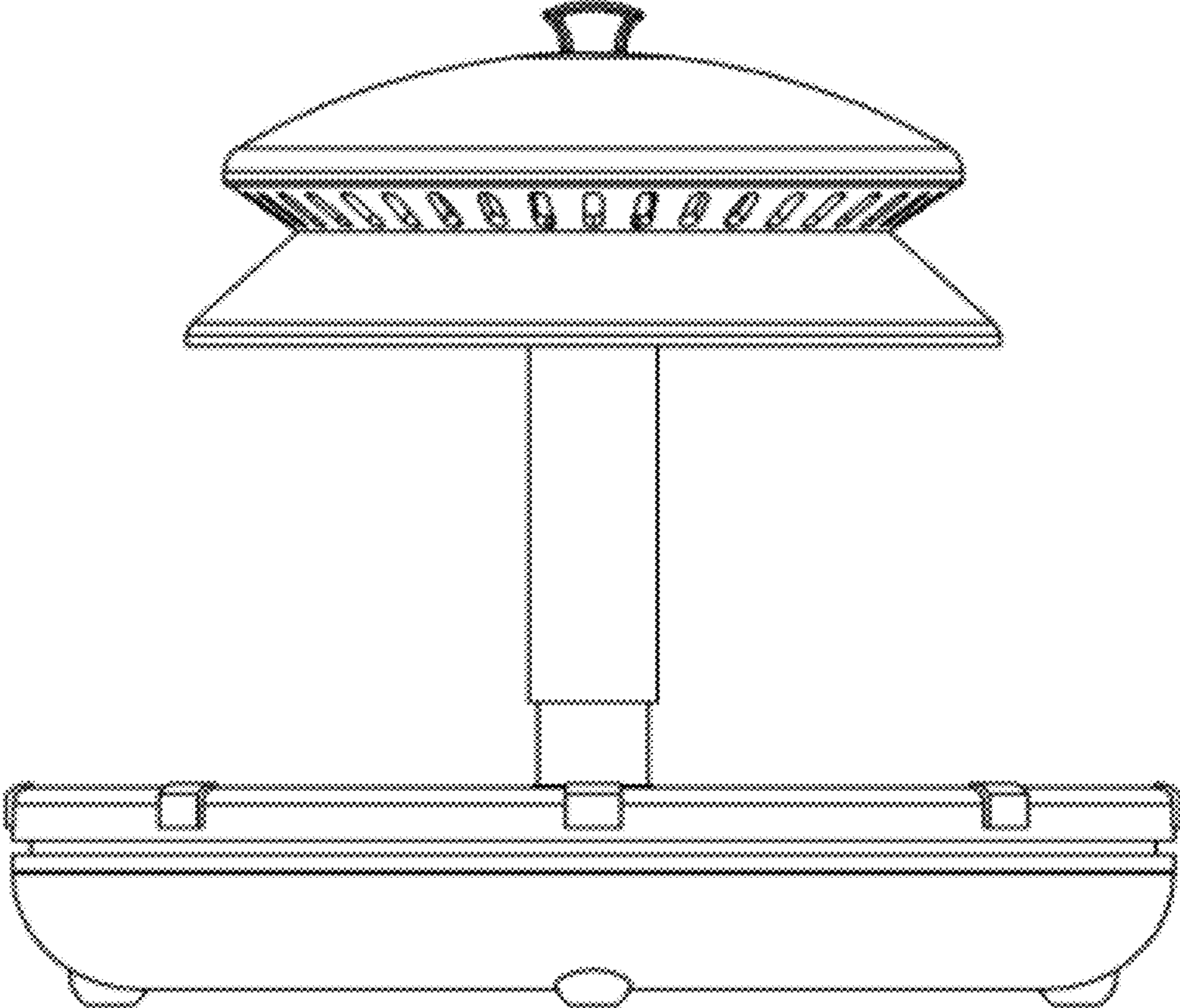


FIG. 4

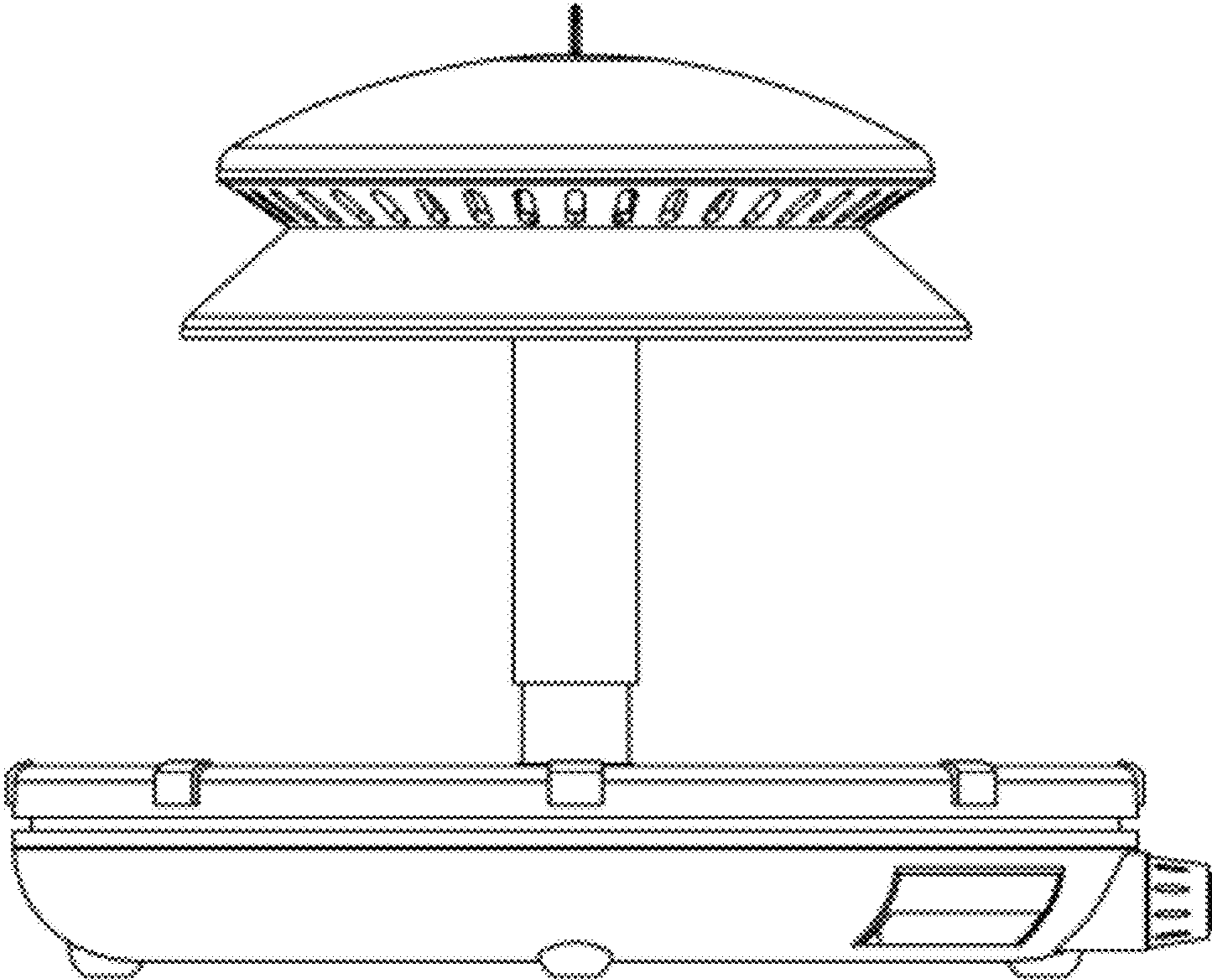


FIG. 5

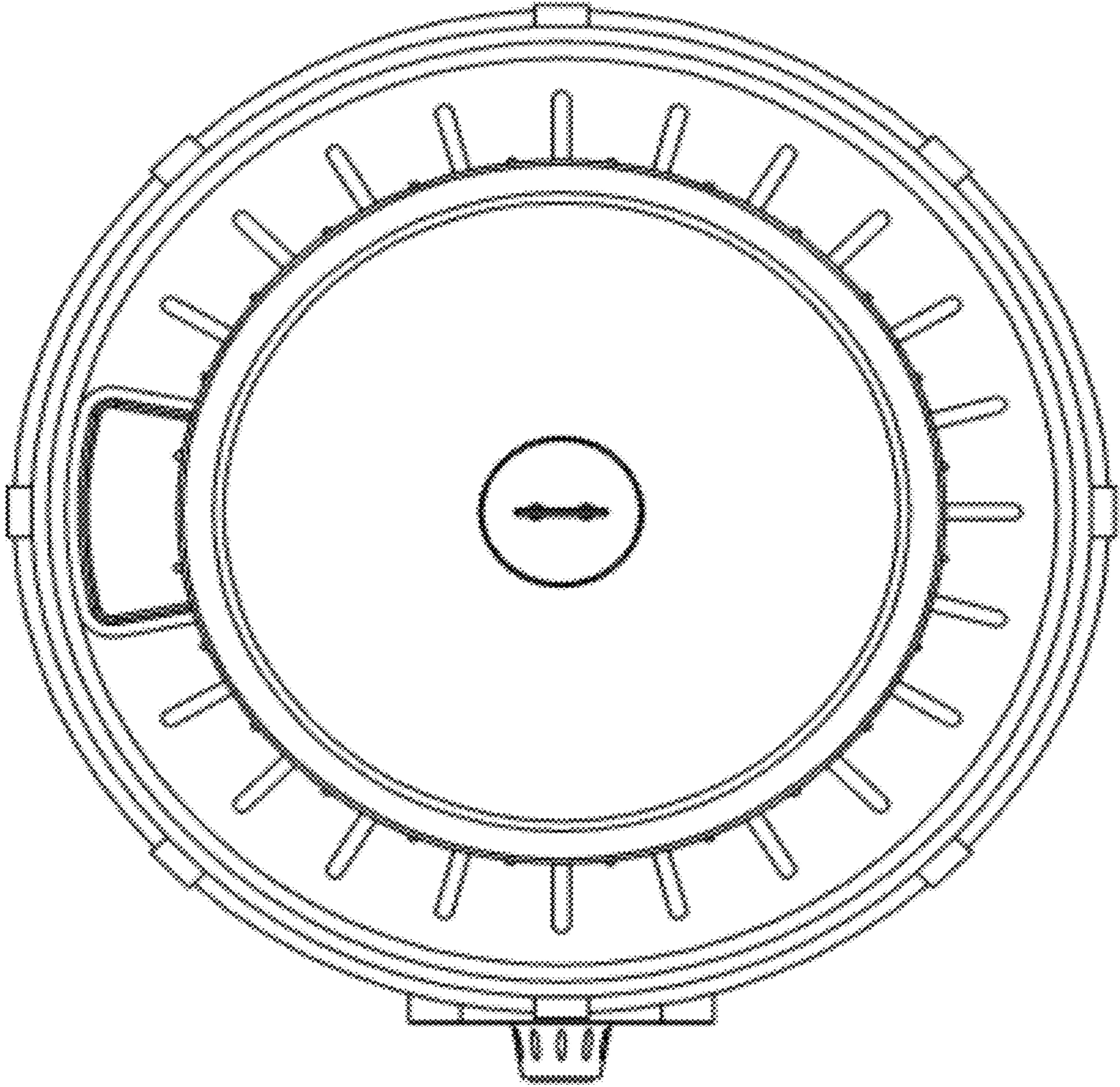


FIG. 6

