



US00D661540S

(12) **United States Design Patent**
Facey

(10) **Patent No.:** **US D661,540 S**
(45) **Date of Patent:** **** Jun. 12, 2012**

(54) **CAKE POP MOLD**

(76) Inventor: **Jeanette Facey**, Osterville, MA (US)

(**) Term: **14 Years**

(21) Appl. No.: **29/403,462**

(22) Filed: **Oct. 6, 2011**

(51) **LOC (9) Cl.** **07-02**

(52) **U.S. Cl.** **D7/354**

(58) **Field of Classification Search** D3/206,
D3/265, 294-304, 307-309; D6/542; D7/300,
D7/323-325, 354-363, 402, 505, 538-545,
D7/552.1, 554.3-554.4, 560, 566, 585-588,
D7/601-602, 612-615, 628-629, 672; D9/424-432,
D9/449, 456, 504, 519, 715, 726, 760-761,
D9/776; D21/386; D22/122; D23/364-367;
D24/104, 200; D25/1; D26/2; D28/82;
D34/1; 99/324, 426; 220/23.2-23.6, 573.1-573.3,
220/574-575, 657, 780-806, 912; 222/548;
446/236

See application file for complete search history.

(56) **References Cited**

U.S. PATENT DOCUMENTS

D112,545 S *	12/1938	Younghusband	D9/504
3,494,515 A *	2/1970	Fattori	222/548
D254,716 S *	4/1980	Mascia et al.	D9/776
D255,988 S *	7/1980	Mascia et al.	D9/519
D306,406 S *	3/1990	Pierce et al.	D7/300
D324,106 S *	2/1992	Greenblatt	D24/200
D333,784 S *	3/1993	Goodman	D3/302
D354,441 S *	1/1995	Fontanella	D9/504
D354,682 S *	1/1995	van Spaandonk	D9/449
D465,733 S *	11/2002	Hill	D9/519
D475,288 S *	6/2003	Hoffmann et al.	D9/426
D476,095 S *	6/2003	Baarman et al.	D26/2
D478,785 S *	8/2003	Rorke et al.	D7/628
D478,813 S *	8/2003	Beene	D9/519
6,626,313 B2 *	9/2003	Herbstreit et al.	220/4.25
D492,403 S *	6/2004	Iddan et al.	D24/104

D512,598 S *	12/2005	Shore	D7/325
D528,257 S *	9/2006	Leclerc et al.	D34/1
D547,430 S *	7/2007	Low	D23/364
D554,529 S *	11/2007	Green et al.	D9/726

(Continued)

OTHER PUBLICATIONS

Cake Pop Baller—Professional Sphere Mold—Ball Maker for Cake and Brownie Pops, Balls and Bites. Retrieved online on Mar. 22, 2012 at: <http://www.amazon.com/Cake-Pop-Baller-Professional-Brownie/dp/B005LTYCMM>, dated at least as early as Dec. 2011 (5 pages).

(Continued)

Primary Examiner — Ricky Pham

(74) *Attorney, Agent, or Firm* — Fish & Richardson P.C.

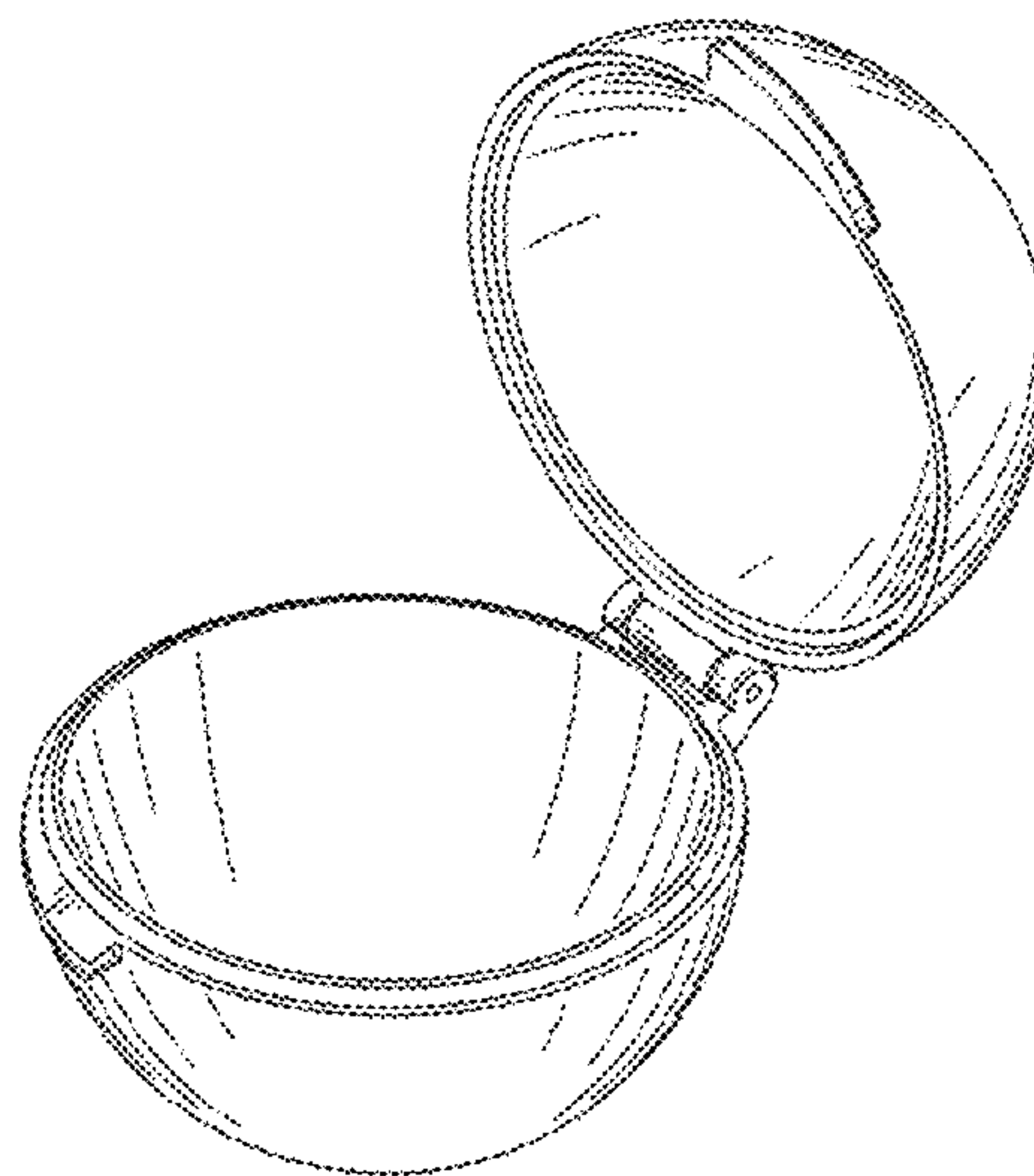
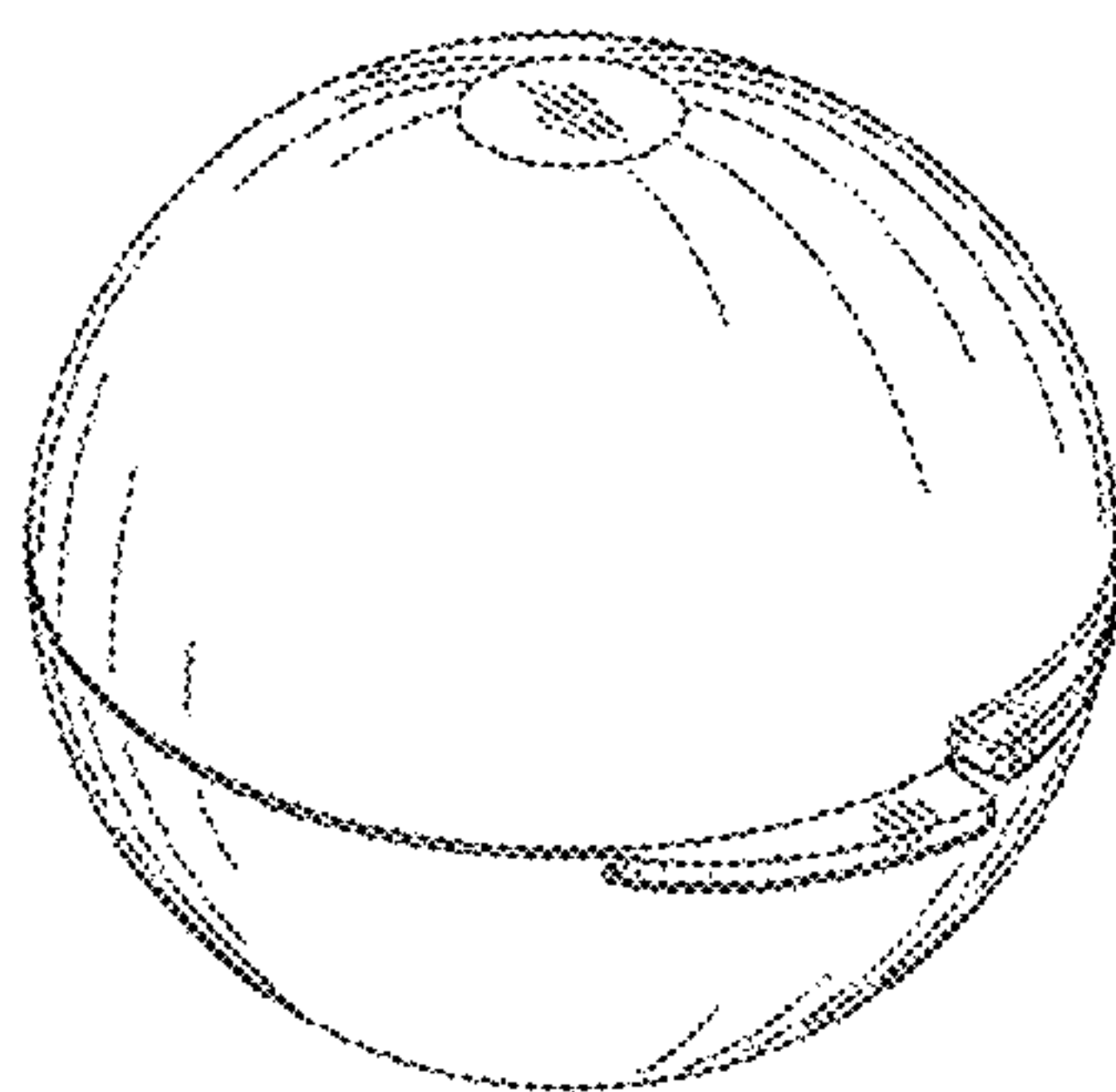
(57) **CLAIM**

The ornamental design for a cake pop mold, substantially as shown and described.

DESCRIPTION

FIG. 1 is a perspective view of the cake pop mold in a closed position;
FIG. 2 is a front view of the cake pop mold in the closed position;
FIG. 3 is a back view of the cake pop mold in the closed position;
FIG. 4 is a right side view of the cake pop mold in the closed position;
FIG. 5 is a left side view of the cake pop mold in the closed position;
FIG. 6 is a top view of the cake pop mold in the closed position;
FIG. 7 is a bottom view of the cake pop mold in the closed position; and,
FIG. 8 is a perspective view of the cake pop mold in a partially open position.

1 Claim, 3 Drawing Sheets



US D661,540 S

Page 2

U.S. PATENT DOCUMENTS

D564,900 S * 3/2008 Green et al. D9/715
D565,145 S * 3/2008 Studer et al. D22/122
D572,535 S * 7/2008 El-Ghouyel et al. D7/538
D578,002 S * 10/2008 Canamasas Puigbo D9/519
D592,064 S * 5/2009 Kilany D9/519
D602,311 S * 10/2009 Finell D7/629
D610,667 S * 2/2010 Espiritu, Jr. D23/367
D612,245 S * 3/2010 Canamasas Puigbo D9/519
D613,103 S * 4/2010 Misir D6/542
D625,604 S * 10/2010 Zaslow D9/449
D631,204 S * 1/2011 Dubitsky et al. D28/82

D638,884 S * 5/2011 Shoemaker, Jr. D21/386
D639,449 S * 6/2011 Luburic D25/1
D650,280 S * 12/2011 De Peyerimhoff et al. D9/504
D650,464 S * 12/2011 wi Toslawski D22/122
2004/0253904 A1 * 12/2004 Lin 446/236

OTHER PUBLICATIONS

Meatballer. Retrieved online on Mar. 22, 2012 at: <http://www.preparedpantry.com/meatballer-maker.aspx>, dated before Oct. 6, 2011 (1 page).

* cited by examiner

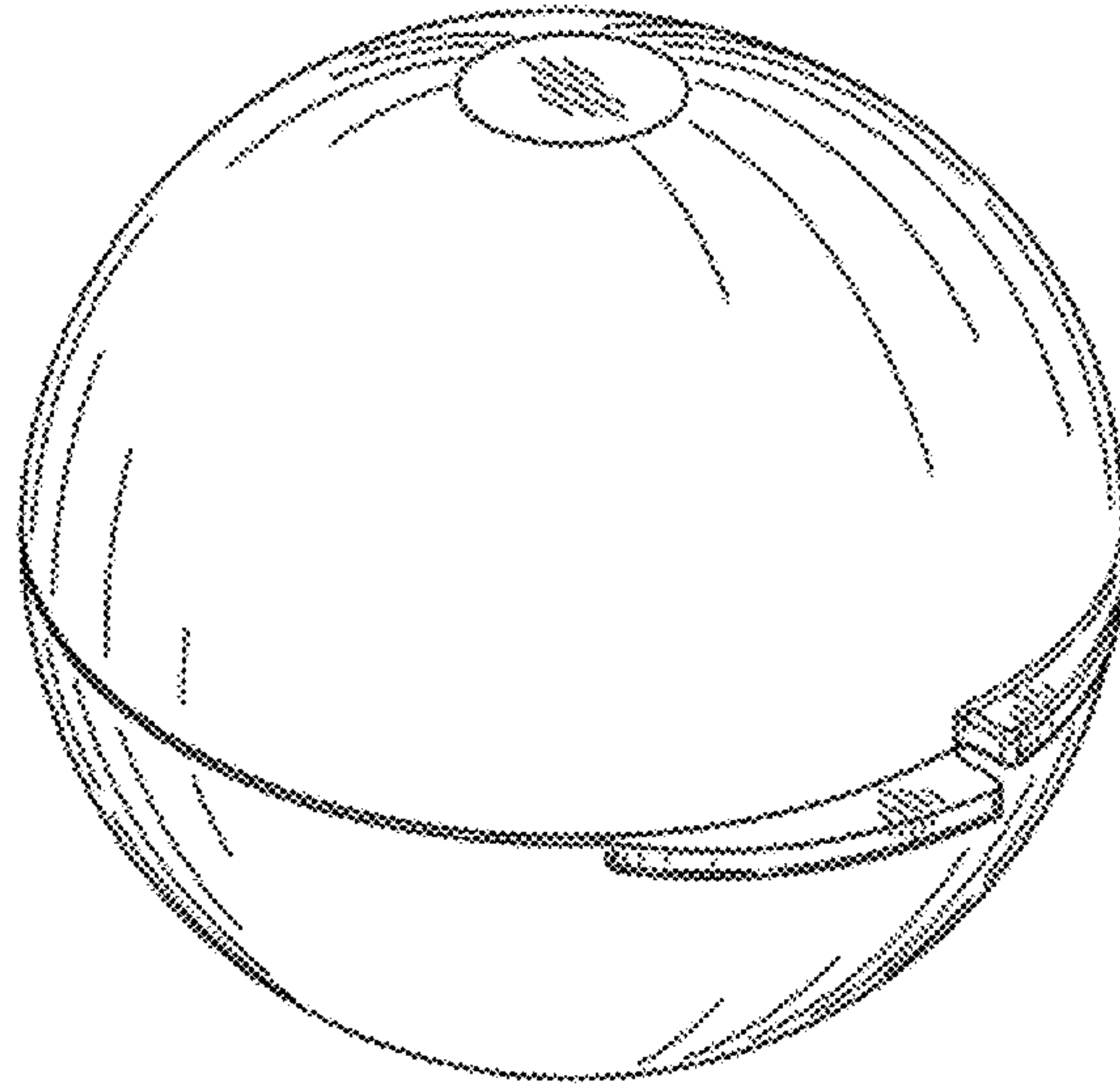


FIG. 1

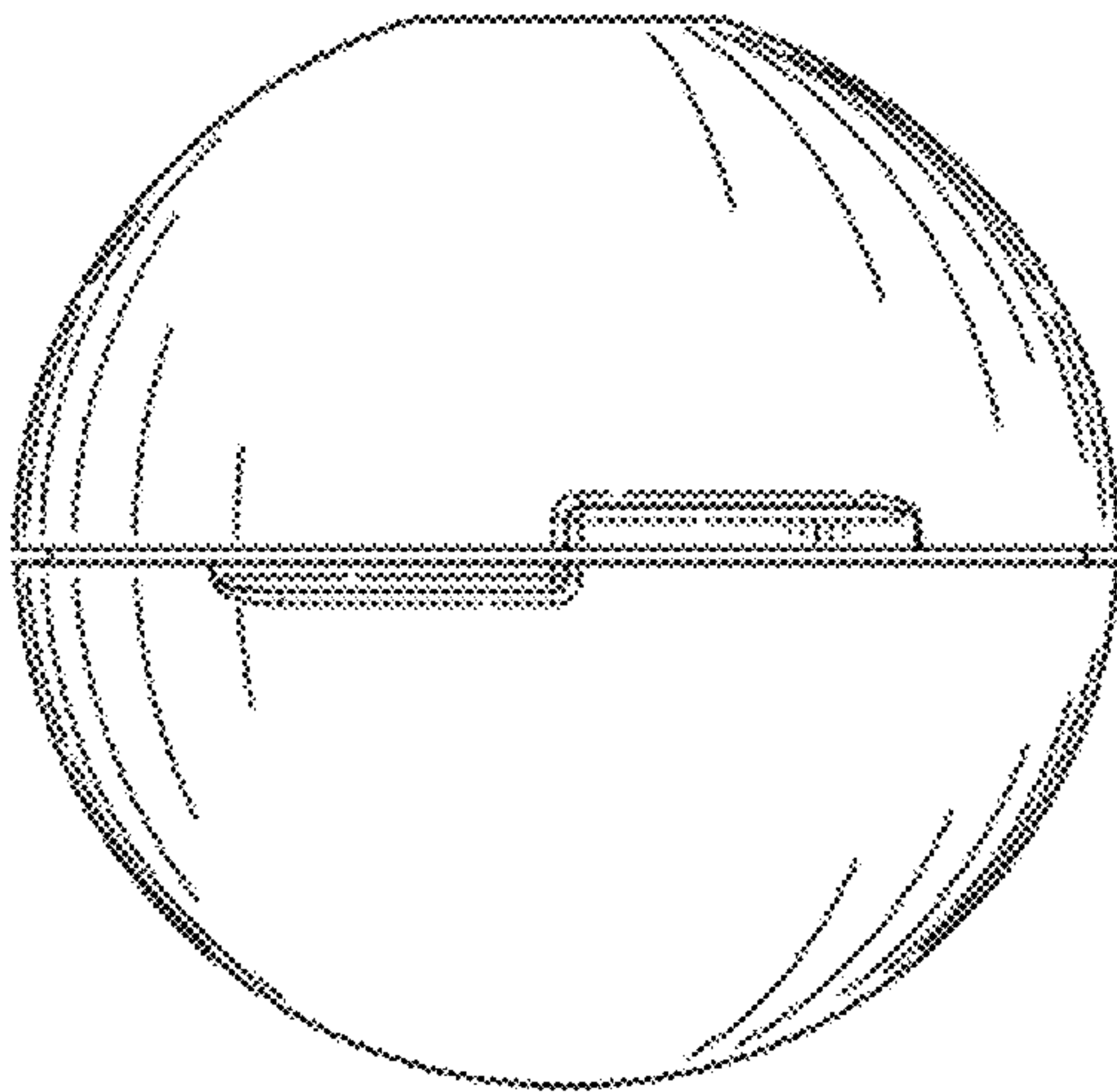


FIG. 2

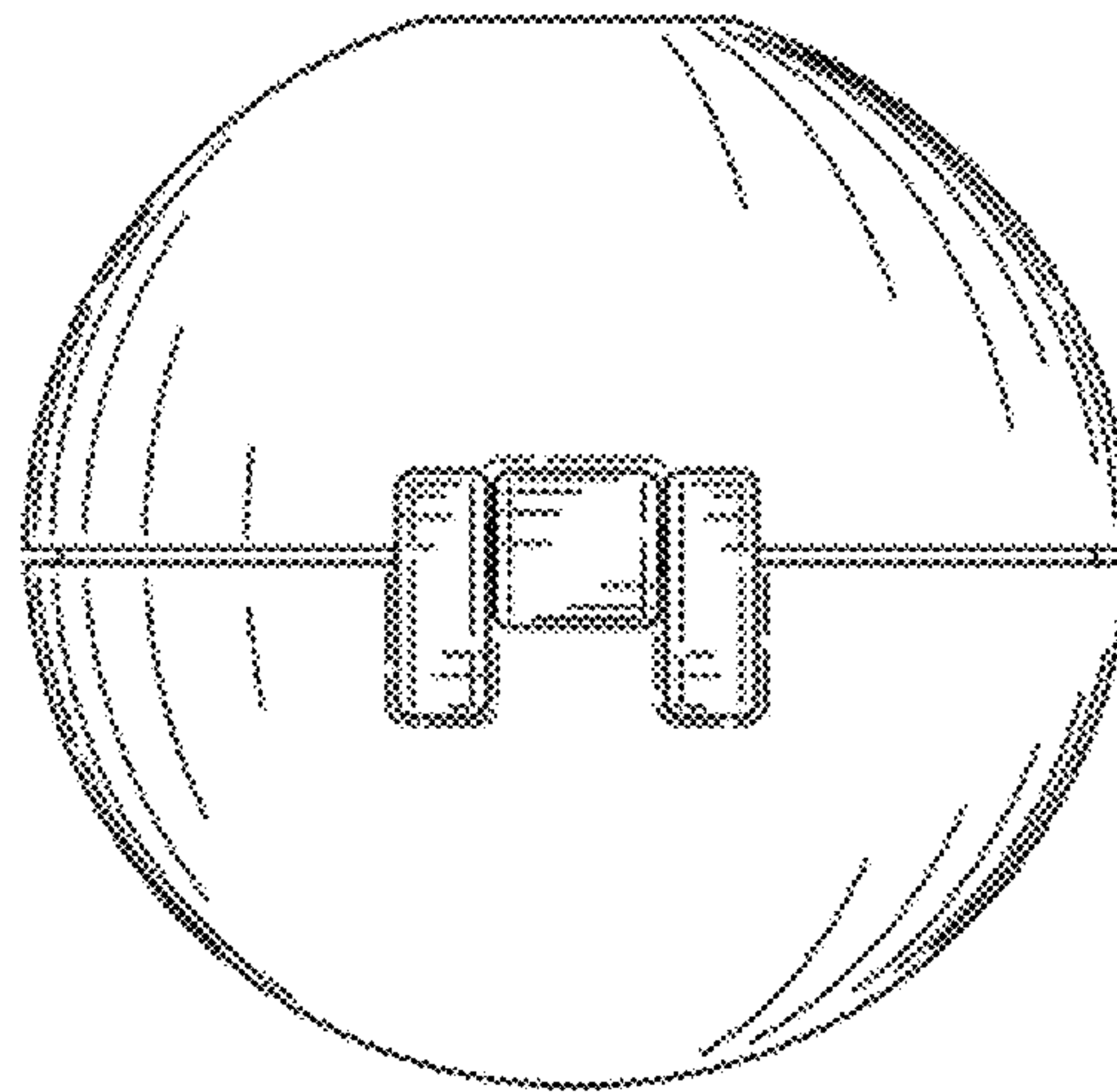


FIG. 3

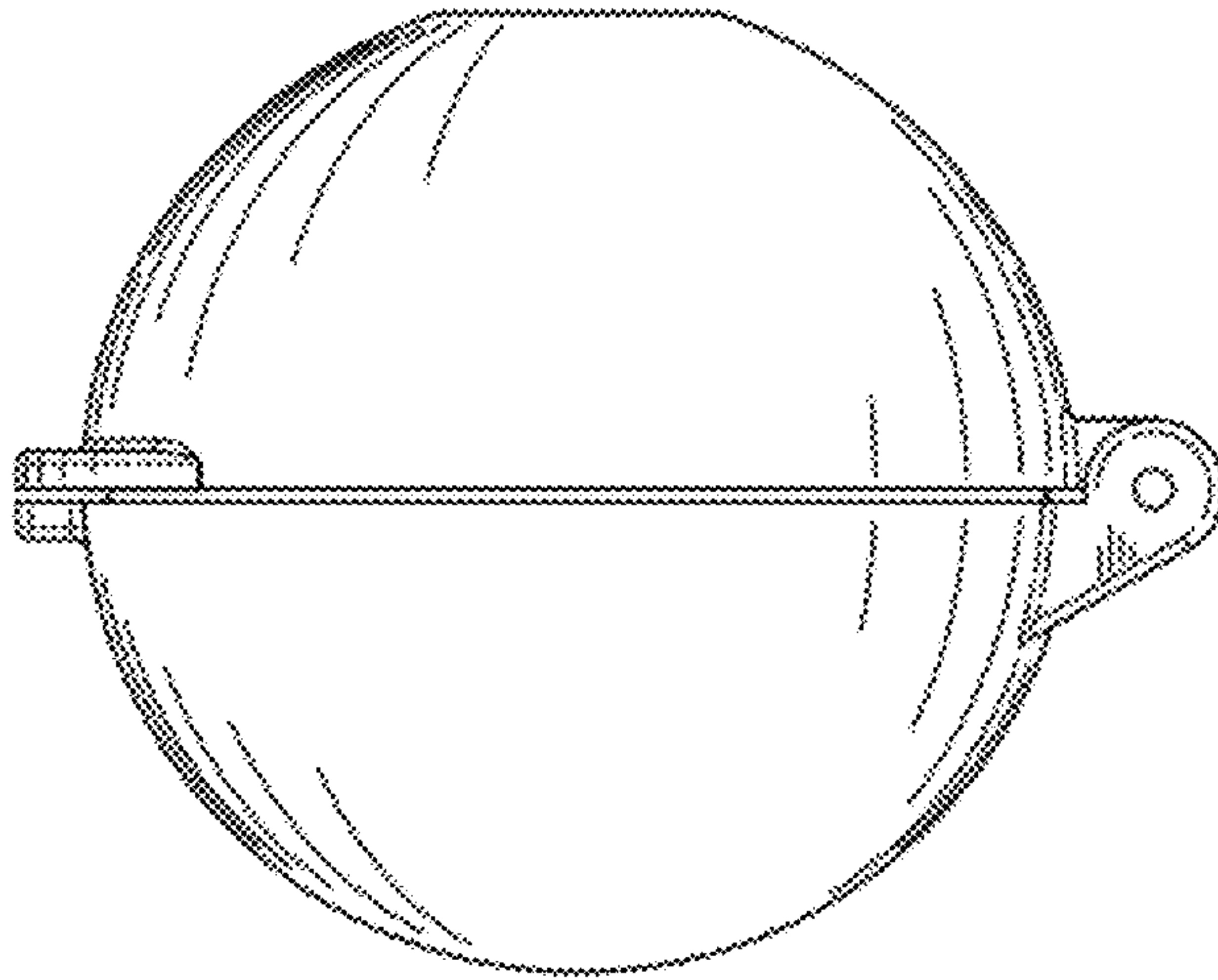


FIG. 4

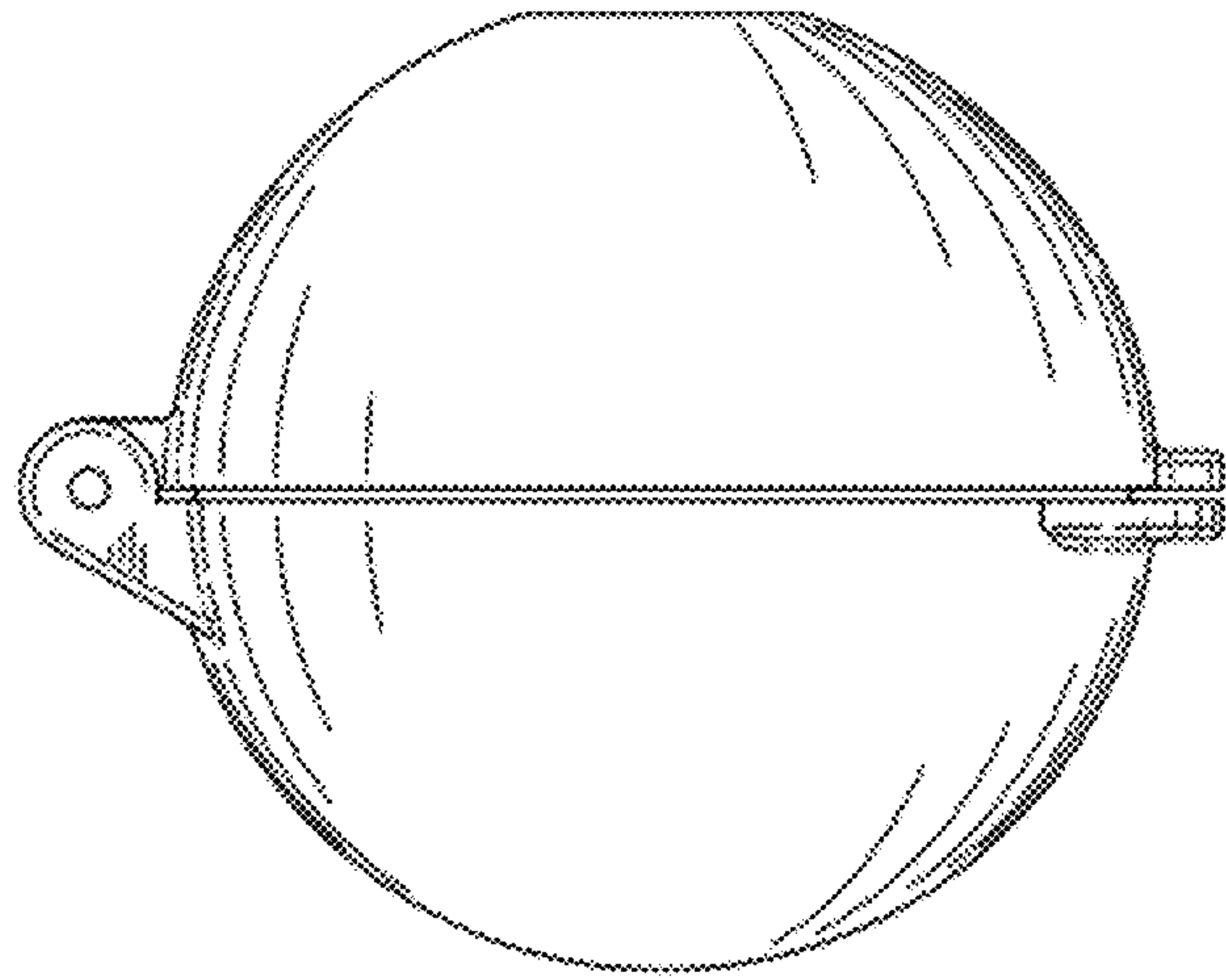


FIG. 5

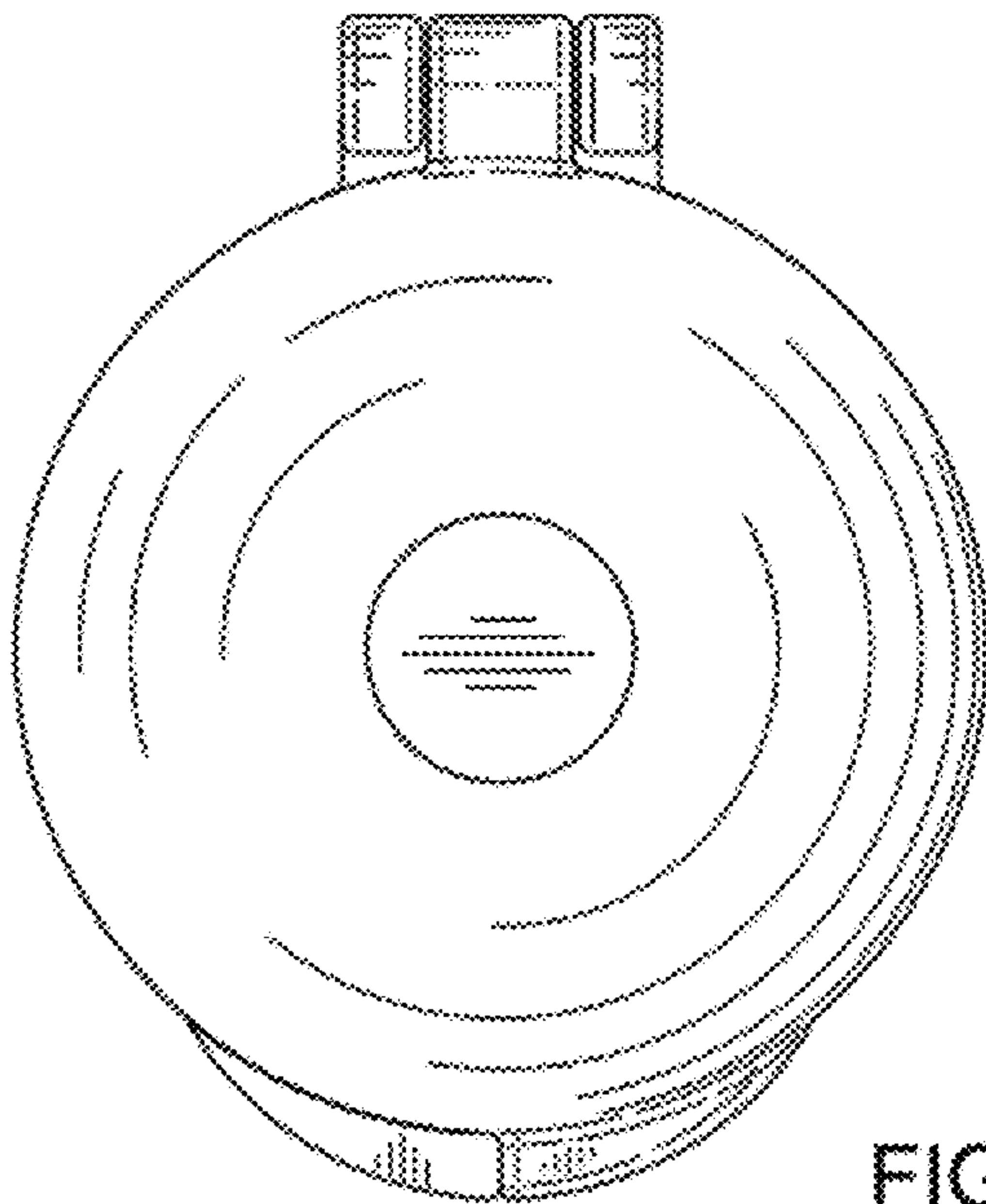


FIG. 6

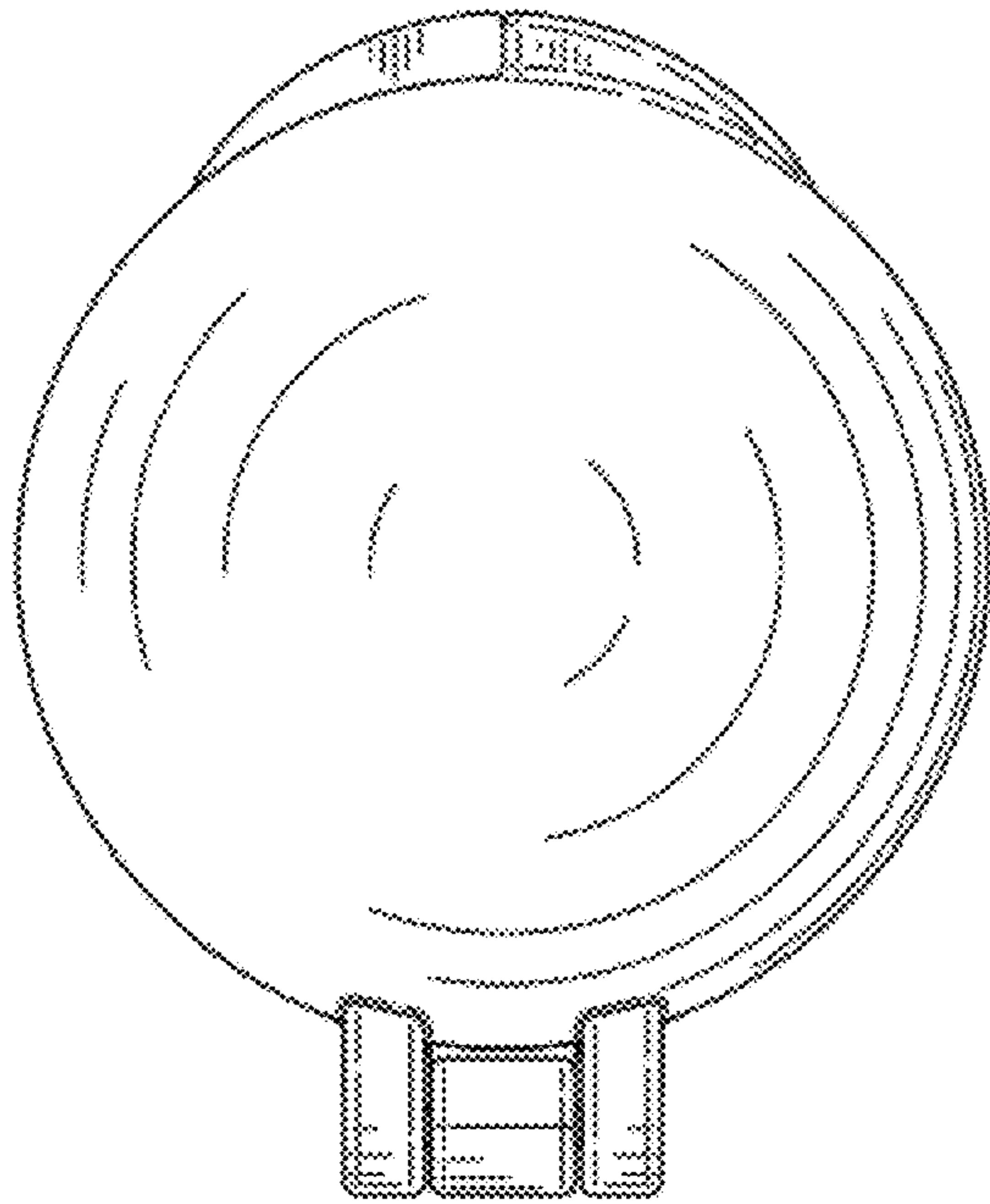


FIG. 7

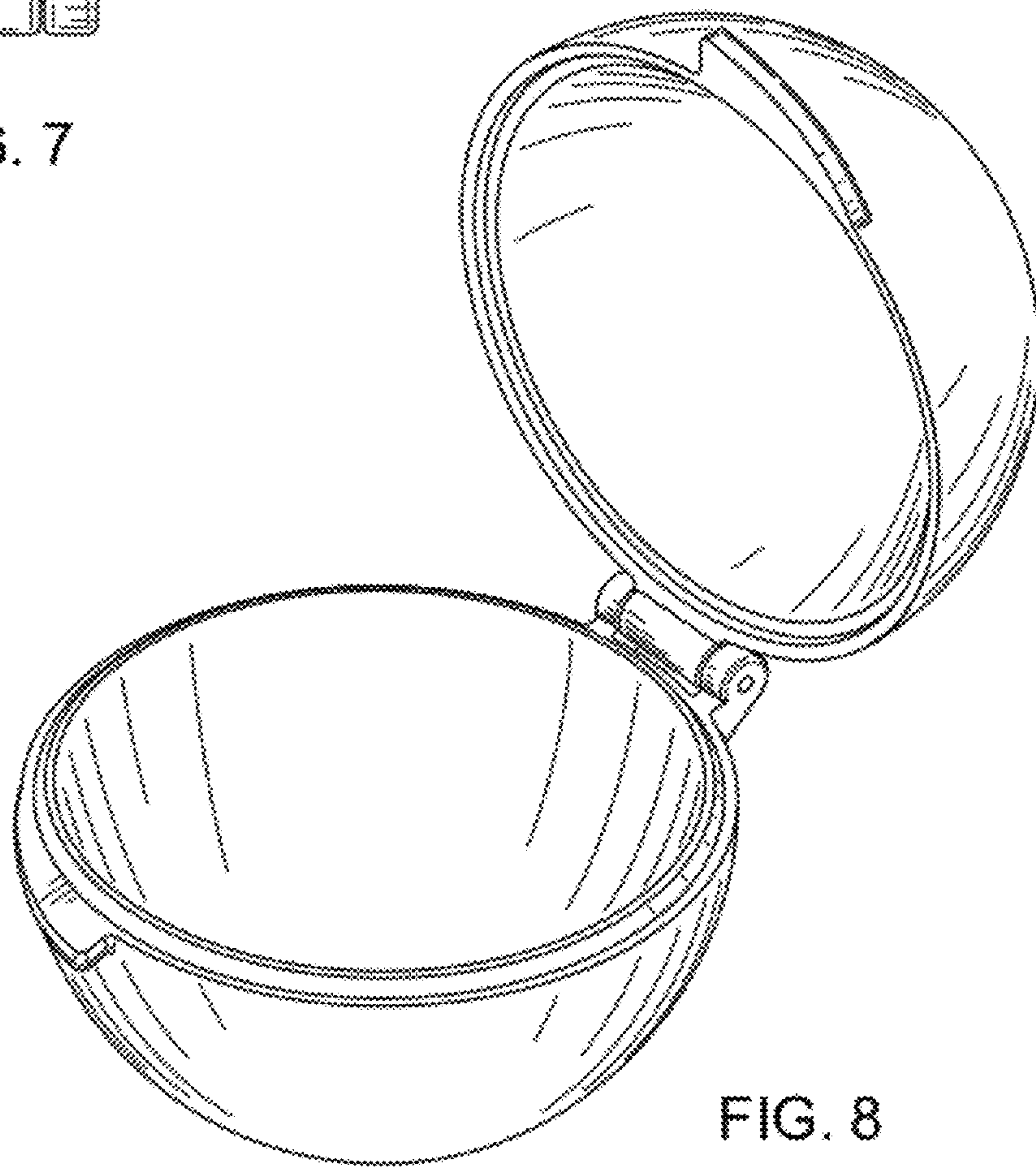


FIG. 8