

US00D661533S

(12) **United States Design Patent**
Bennett et al.

(10) **Patent No.:** **US D661,533 S**
(45) **Date of Patent:** **** Jun. 12, 2012**

(54) **BENDABLE TRACK FOR SUSPENSION OF CURTAINS**

(75) Inventors: **Matthew G. Bennett**, New Berlin, WI (US); **Roger W. Lehrkamp**, Milwaukee, WI (US)

(73) Assignee: **InPro Corporation**, Muskego, WI (US)

(**) Term: **14 Years**

(21) Appl. No.: **29/388,294**

(22) Filed: **Mar. 28, 2011**

(51) **LOC (9) Cl.** **06-10**

(52) **U.S. Cl.** **D6/580**

(58) **Field of Classification Search** D6/575,
D6/577, 580, 581; D8/377; D25/119, 124;
160/38, 168, 168 R, 178.1 R, 170, 177; 248/251,
248/261

See application file for complete search history.

(56) **References Cited**

U.S. PATENT DOCUMENTS

D541,094 S * 4/2007 Yu et al. D6/580
D542,067 S * 5/2007 Watkins et al. D6/580

D552,396 S * 10/2007 Balenzano D6/580
D595,078 S * 6/2009 Kollman et al. D6/580
D595,984 S * 7/2009 Kollman et al. D6/580
D606,793 S * 12/2009 Allsopp D6/580
D633,742 S * 3/2011 Ng D6/580
D638,645 S * 5/2011 Barnes et al. D6/580

* cited by examiner

Primary Examiner — Susan Bennett Hattan

Assistant Examiner — Barbara B Lohr

(74) *Attorney, Agent, or Firm* — Lawrence S. Pope

(57) **CLAIM**

We claim the ornamental design for a bendable track for suspension of curtains, as shown and described.

DESCRIPTION

FIG. 1 is a perspective view of a bendable track for suspension of curtains;

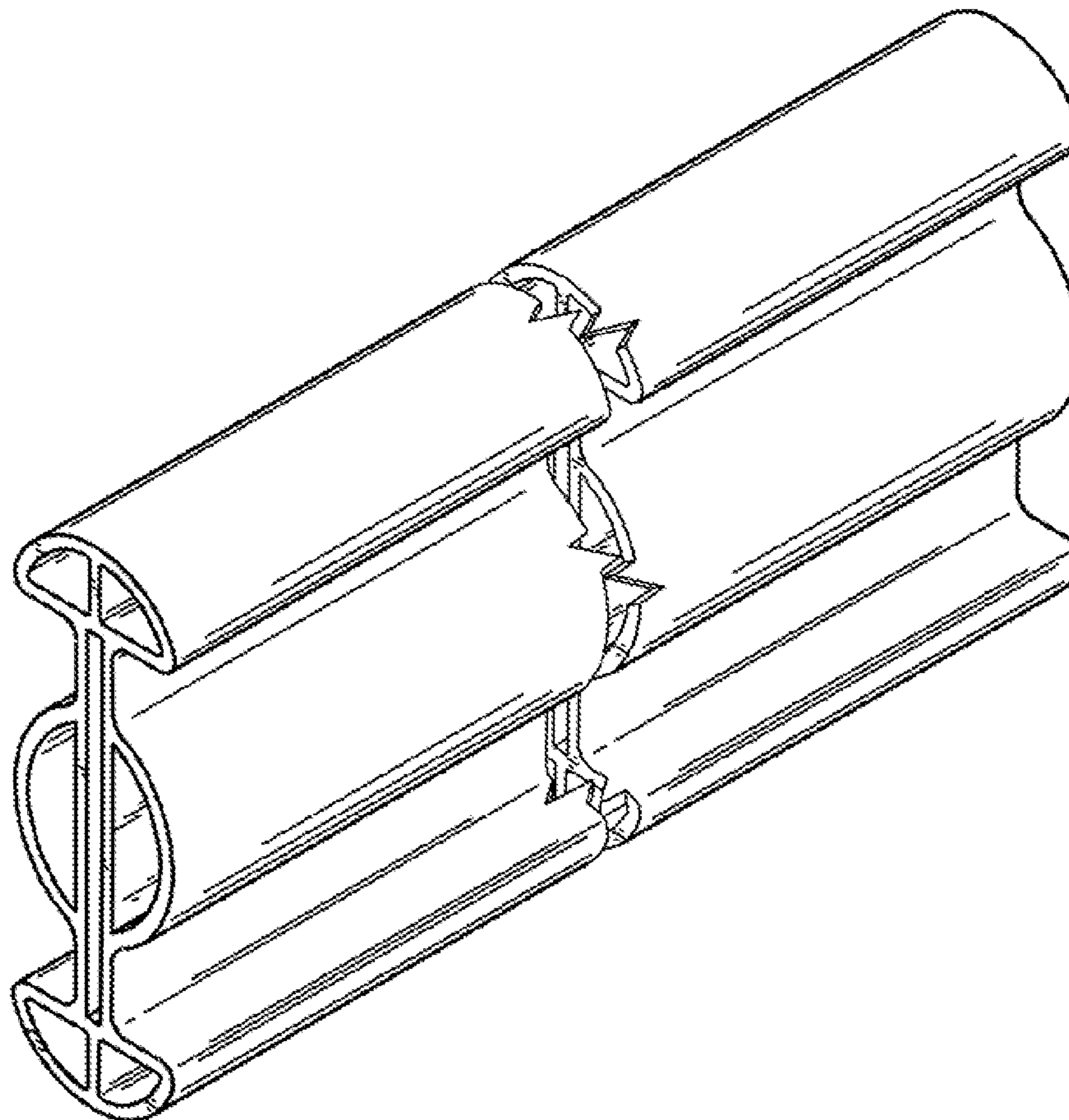
FIG. 2 is an end view thereof;

FIG. 3 is a top view thereof; and,

FIG. 4 is a side view thereof.

Portions of the figures have been shown broken away to indicate that no particular length for the track is claimed.

1 Claim, 2 Drawing Sheets



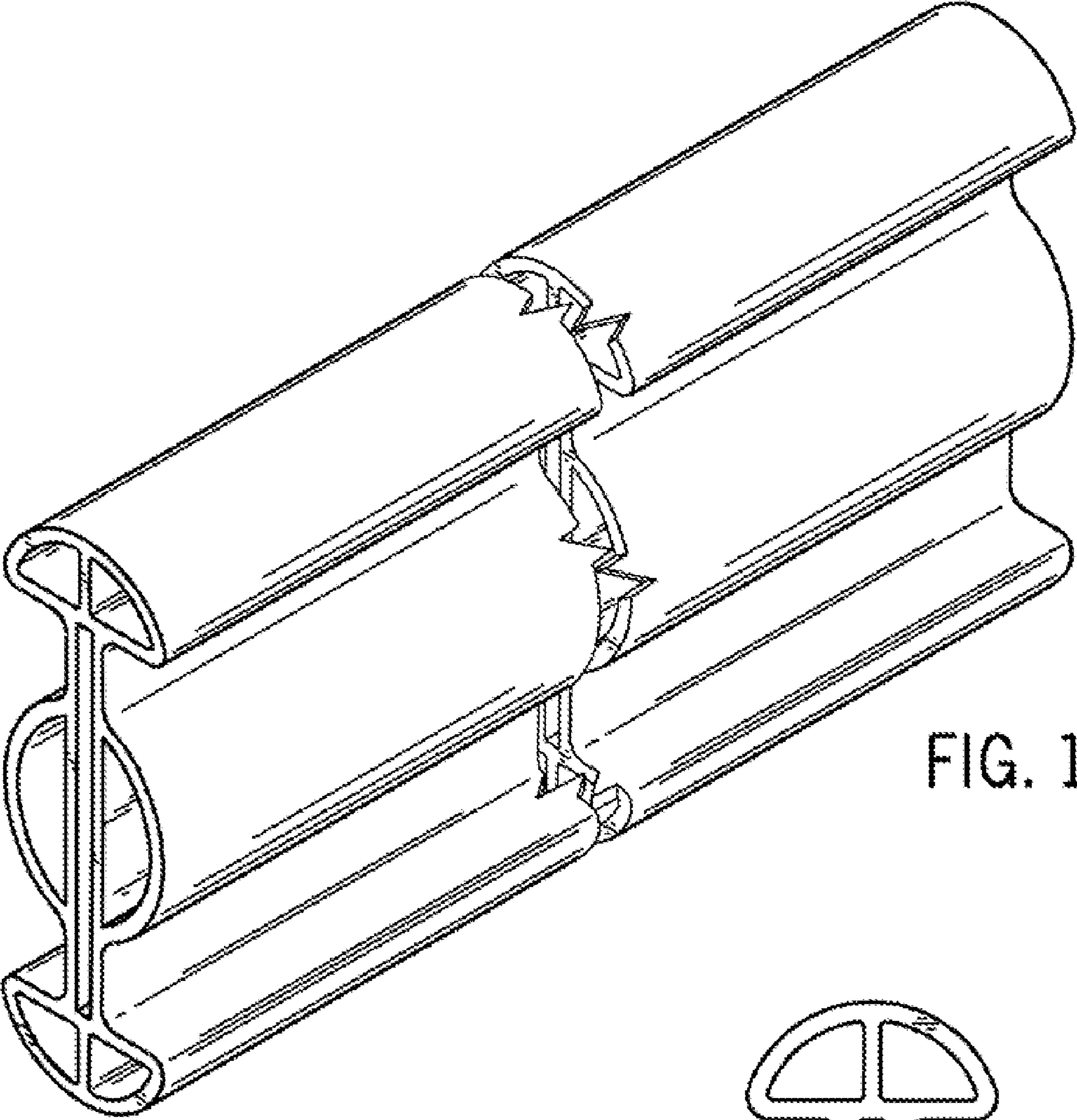
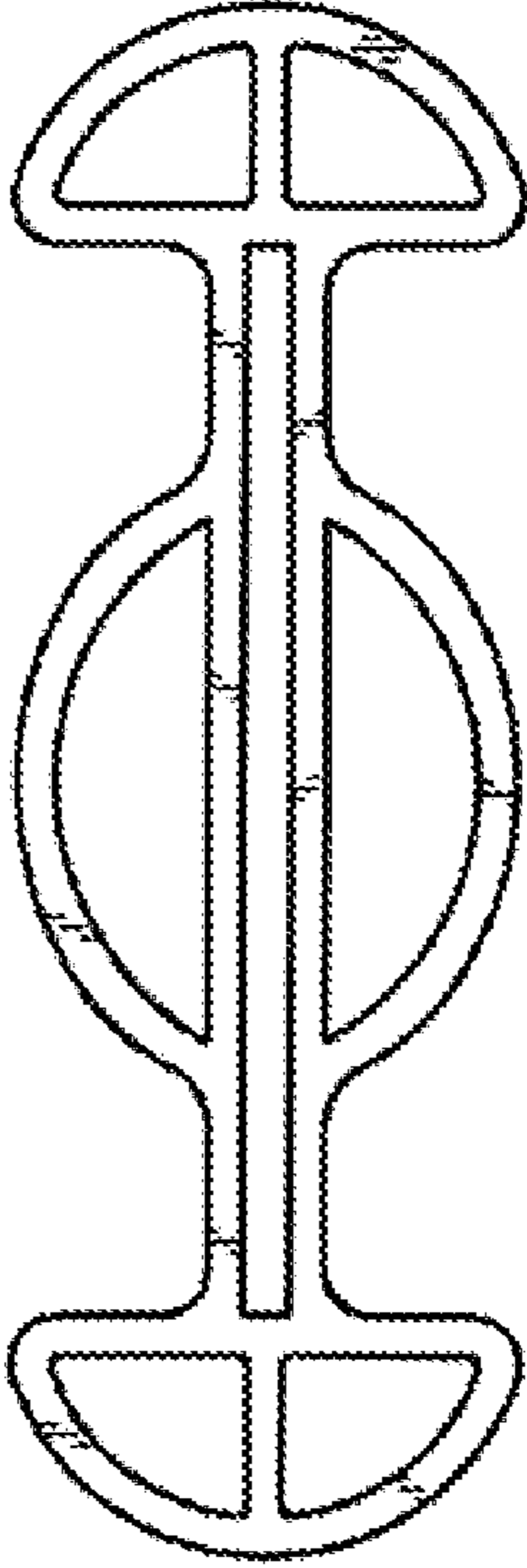


FIG. 1

FIG. 2



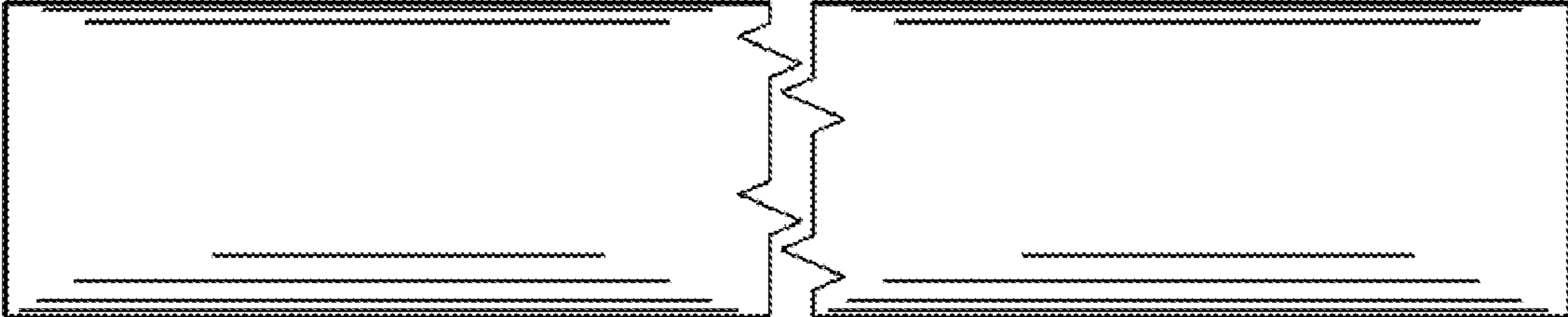


FIG. 3

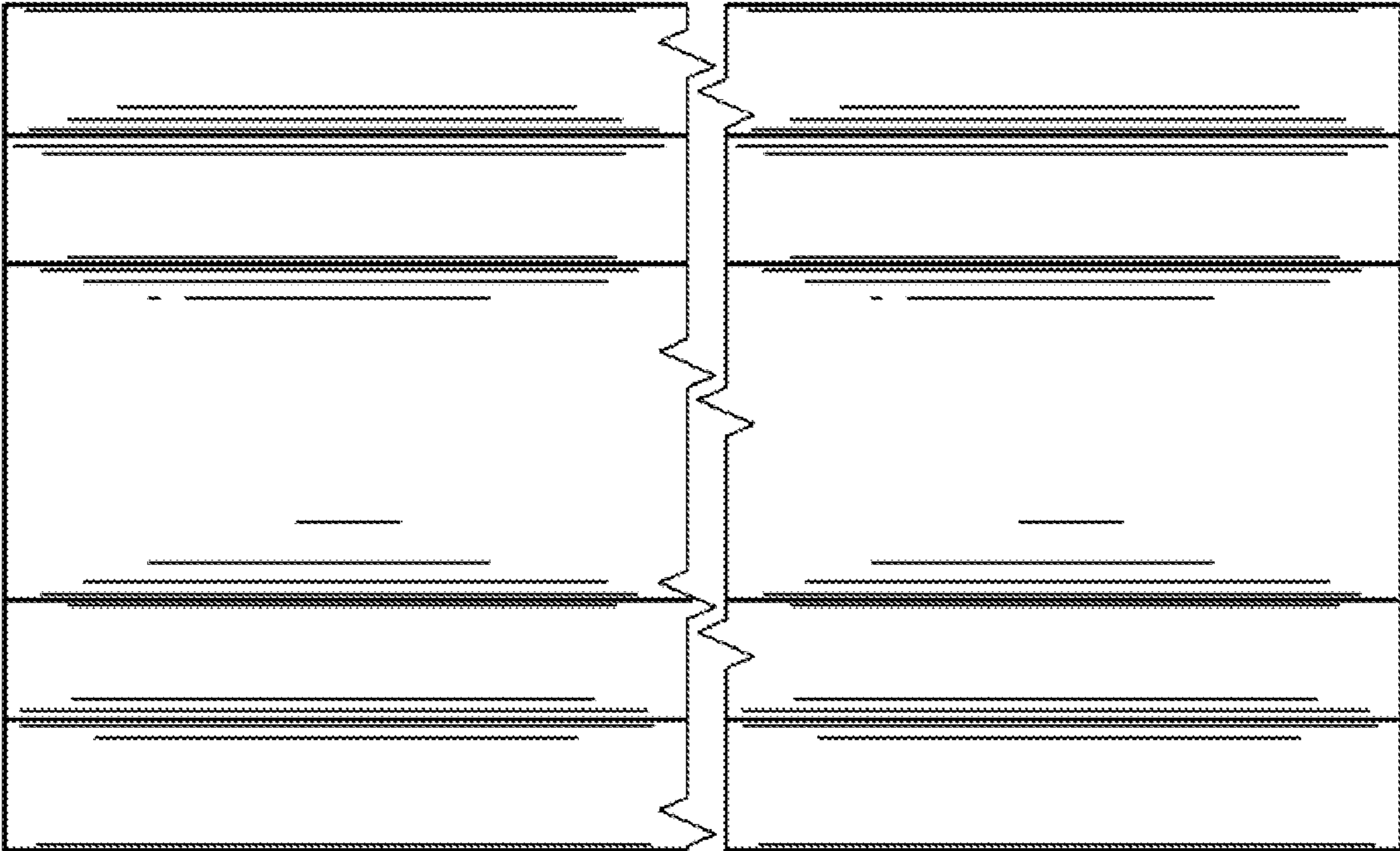


FIG. 4