



US00D661532S

(12) **United States Design Patent**
Chen

(10) **Patent No.:** **US D661,532 S**
(45) **Date of Patent:** **** Jun. 12, 2012**

(54) **HOLDER FOR A RACK**

(76) Inventor: **Lien-Fu Chen**, Changhua (TW)

(**) Term: **14 Years**

(21) Appl. No.: **29/374,016**

(22) Filed: **Jun. 22, 2011**

(51) **LOC (9) Cl.** **06-04**

(52) **U.S. Cl.** **D6/550**

(58) **Field of Classification Search** D6/518–524,
D6/546–550; D8/300, 370, 315; 108/28–29;
211/13.1, 16, 85.5, 86.01, 87.01, 88.04, 100,
211/105.1, 105.2, 106, 113, 123, 181.1, 182–183;
248/49, 175, 176.1, 200, 201, 205.1, 251,
248/302, 309.1, 315; 242/570, 590, 595–598
See application file for complete search history.

(56) **References Cited**

U.S. PATENT DOCUMENTS

D296,964 S *	8/1988	Jans	D6/548
D357,841 S *	5/1995	Lehn et al.	D6/549
D400,036 S *	10/1998	Moore et al.	D6/550
D409,032 S *	5/1999	Kuo	D6/550
D431,139 S *	9/2000	Chen	D6/550
D449,952 S *	11/2001	Lyndon	D6/549
D454,742 S *	3/2002	Meck et al.	D6/549
D465,370 S *	11/2002	Ouyoung	D6/550

D501,746 S *	2/2005	Gilbert	D6/550
D516,851 S *	3/2006	Gilbert	D6/550
D533,384 S *	12/2006	Gilbert	D6/550
D568,080 S *	5/2008	Bickler et al.	D6/550

* cited by examiner

Primary Examiner — Brian N Vinson

(74) *Attorney, Agent, or Firm* — Charles E. Baxley

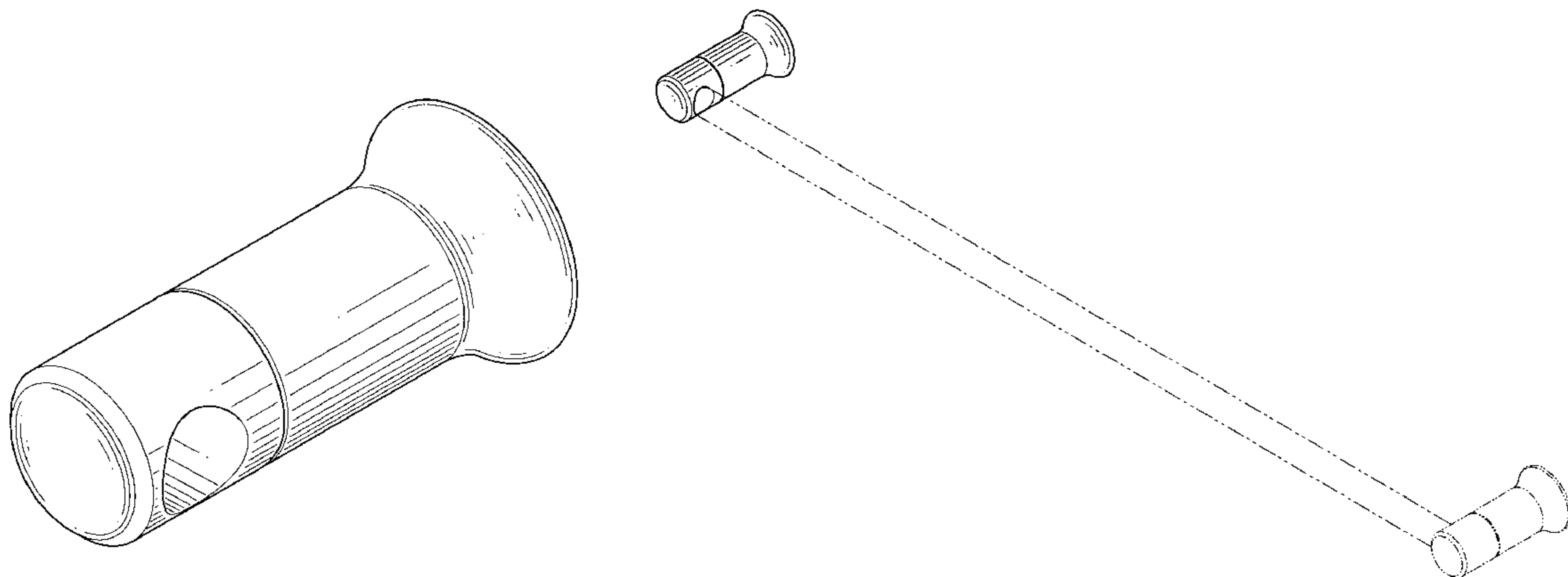
(57) **CLAIM**

The ornamental design for a holder for a rack, as shown and described.

DESCRIPTION

FIG. 1 is a perspective view of a holder for a rack, showing my new design;
 FIG. 2 is a front view thereof;
 FIG. 3 is a left side view thereof;
 FIG. 4 is a right side view thereof;
 FIG. 5 is a top view thereof;
 FIG. 6 is a bottom view thereof;
 FIG. 7 is a cross sectional perspective view thereof along line 7-7 in FIG. 2;
 FIG. 8 is another cross sectional perspective view thereof along line 8-8 in FIG. 2; and,
 FIG. 9 is a perspective view showing an embodiment of the claimed design, wherein the broken lines are shown for illustrative purposes only and form no part of the claimed design.

1 Claim, 6 Drawing Sheets



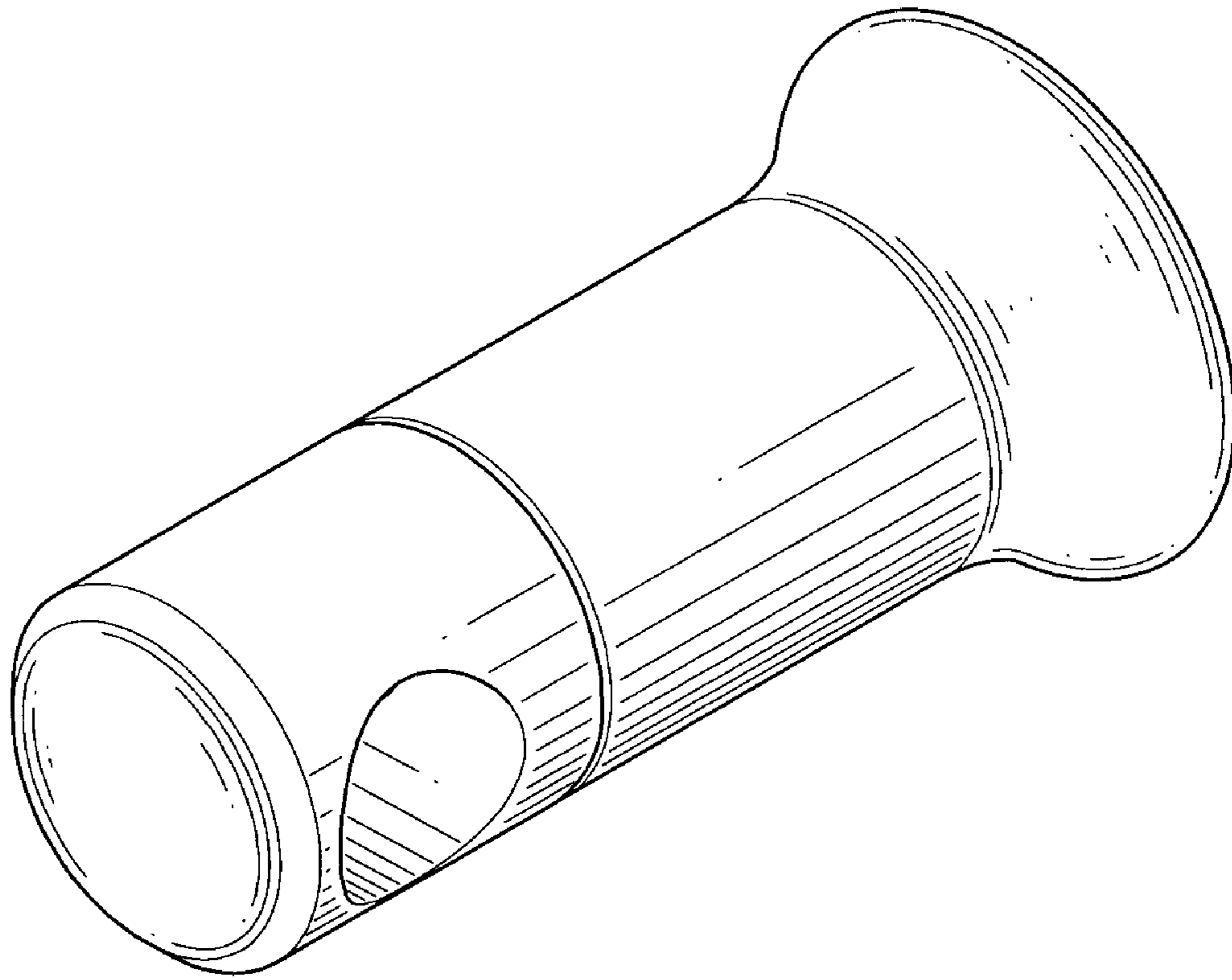


FIG.1

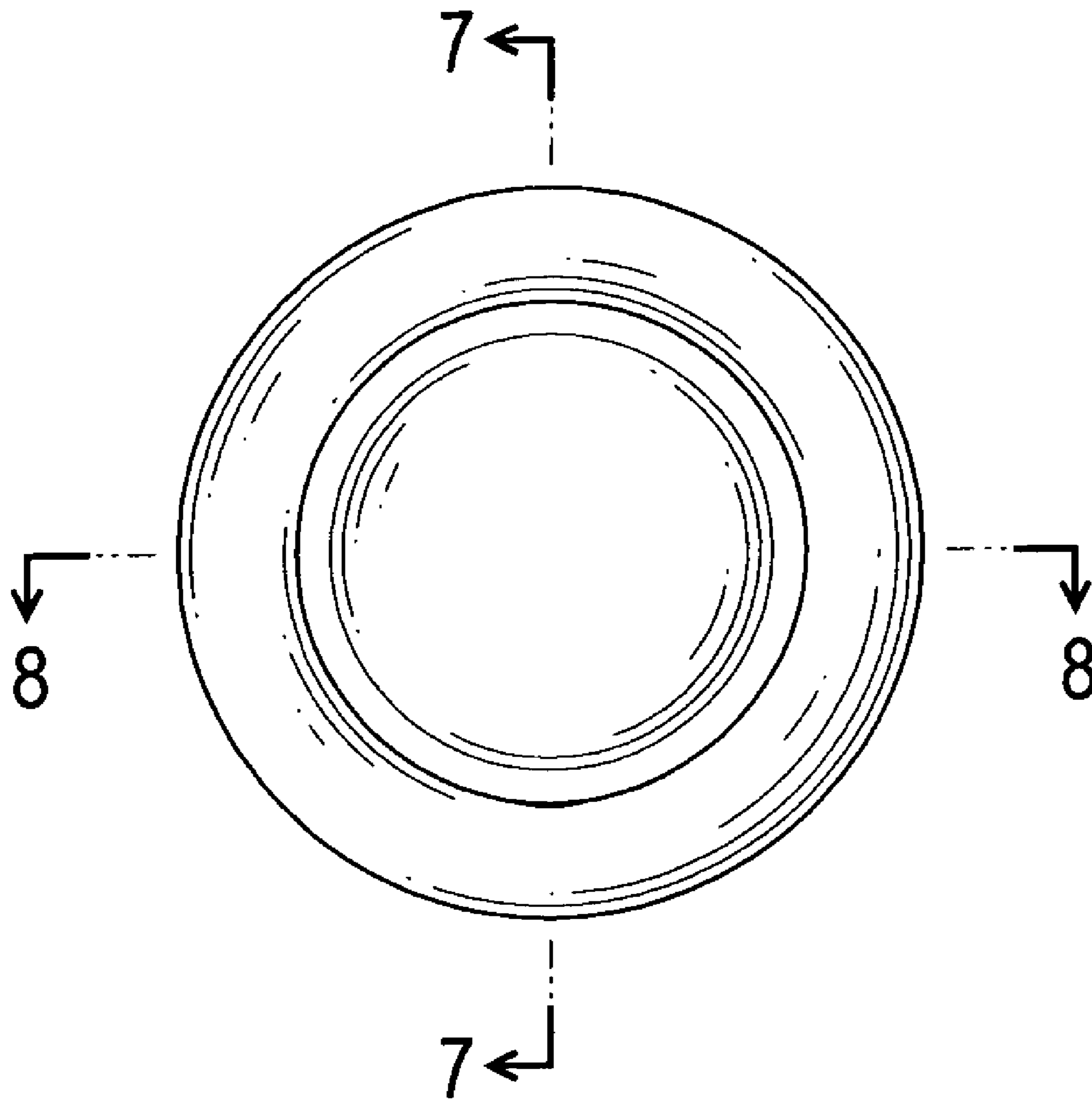


FIG.2

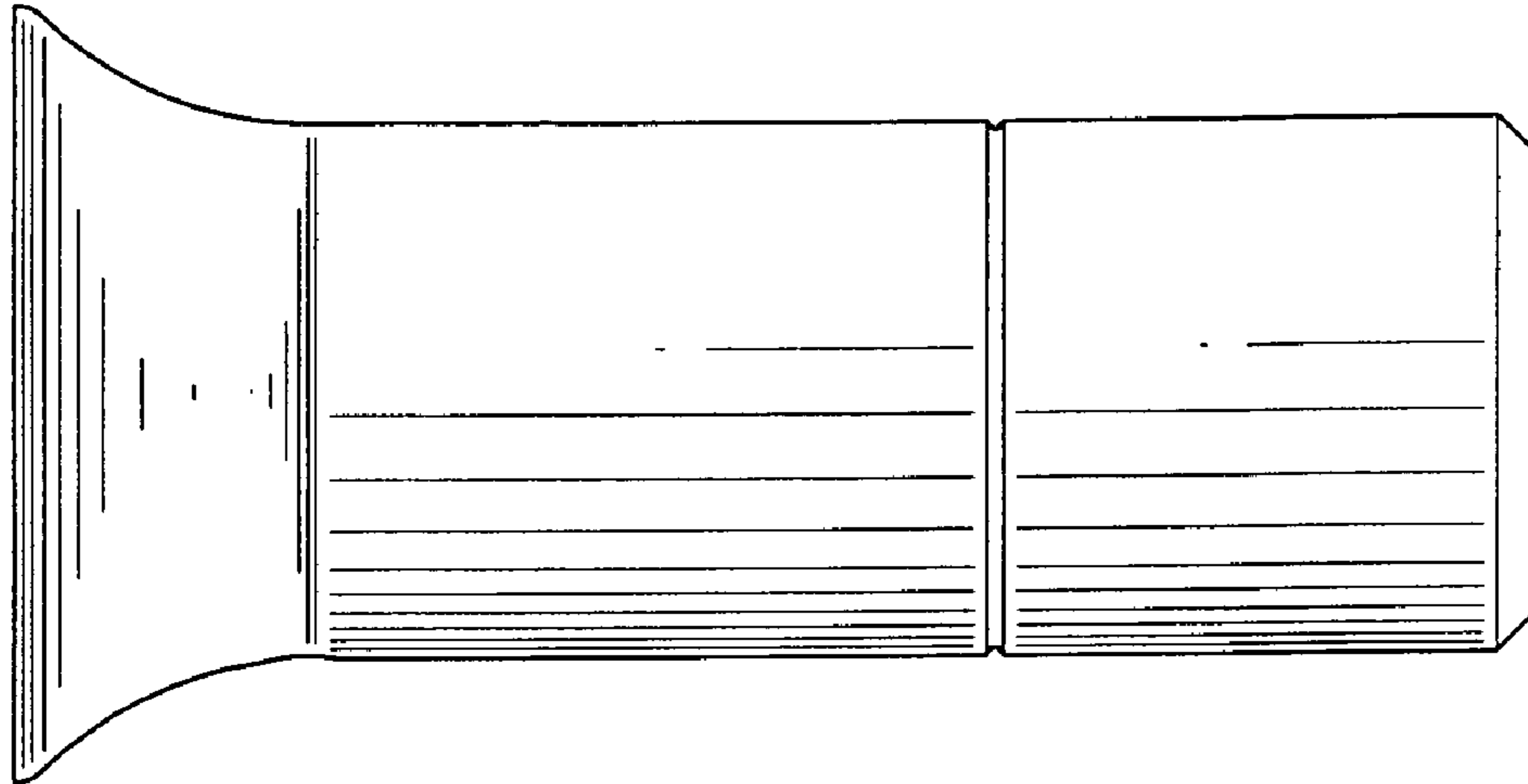


FIG. 3

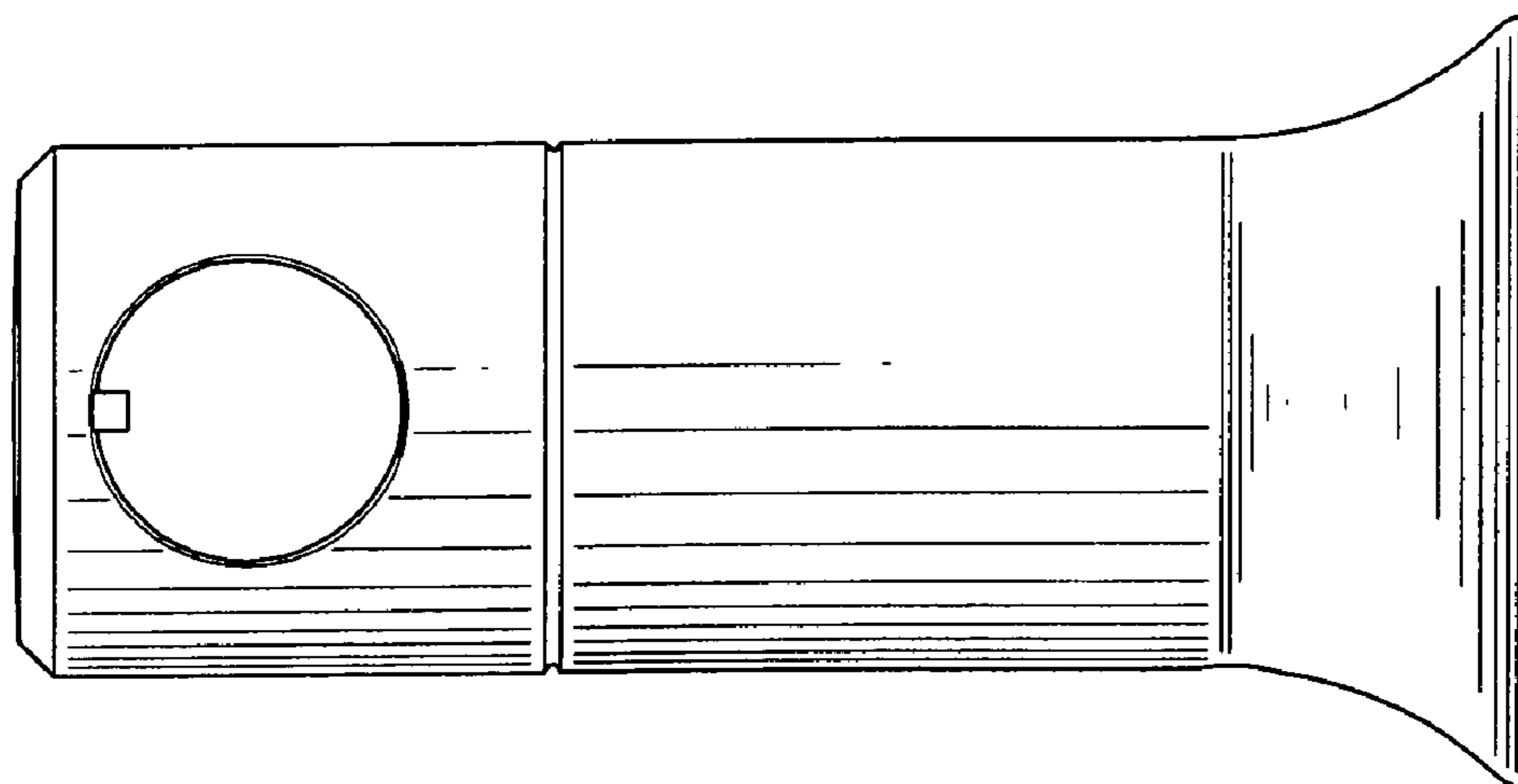


FIG. 4

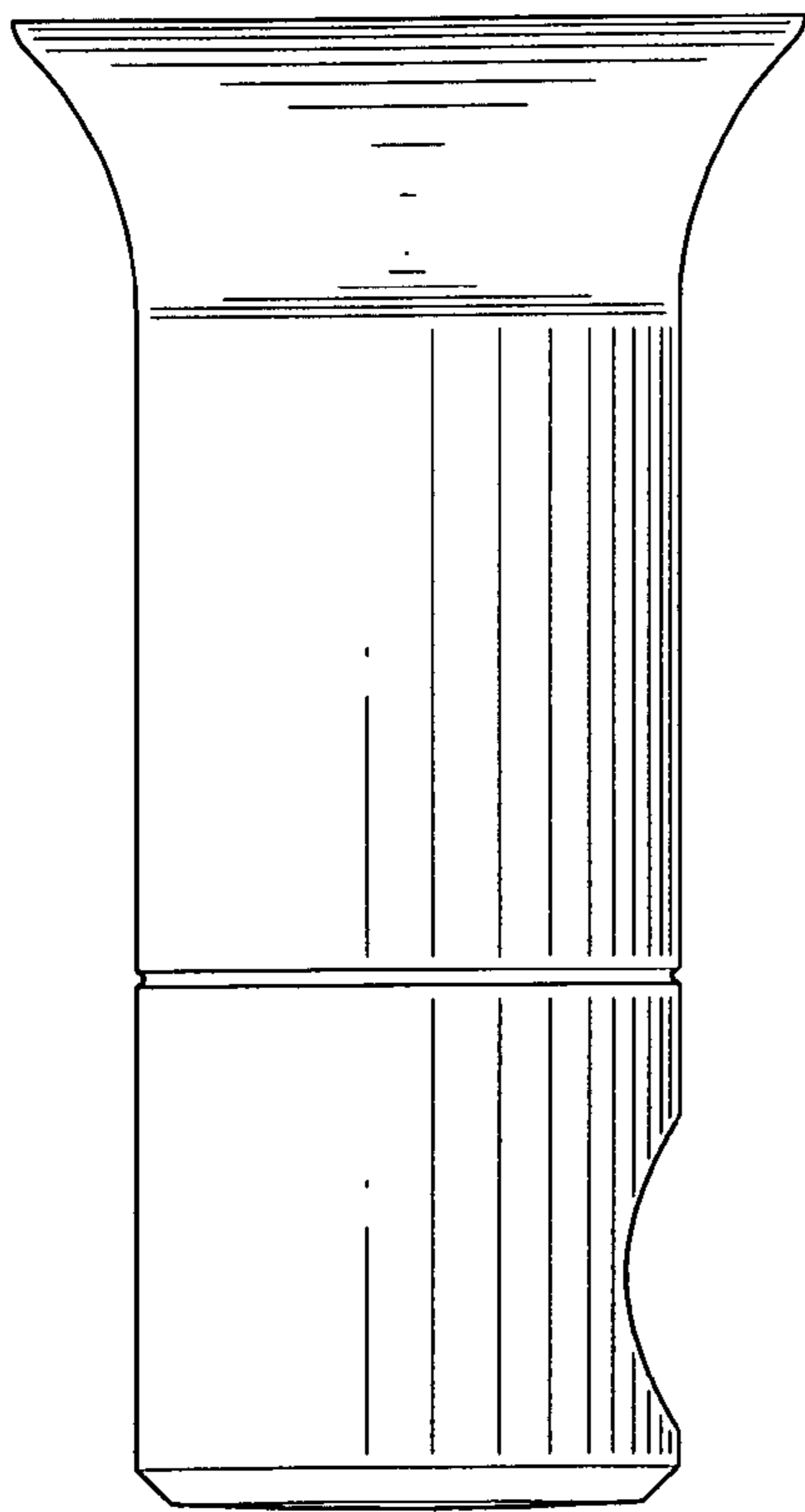


FIG. 5

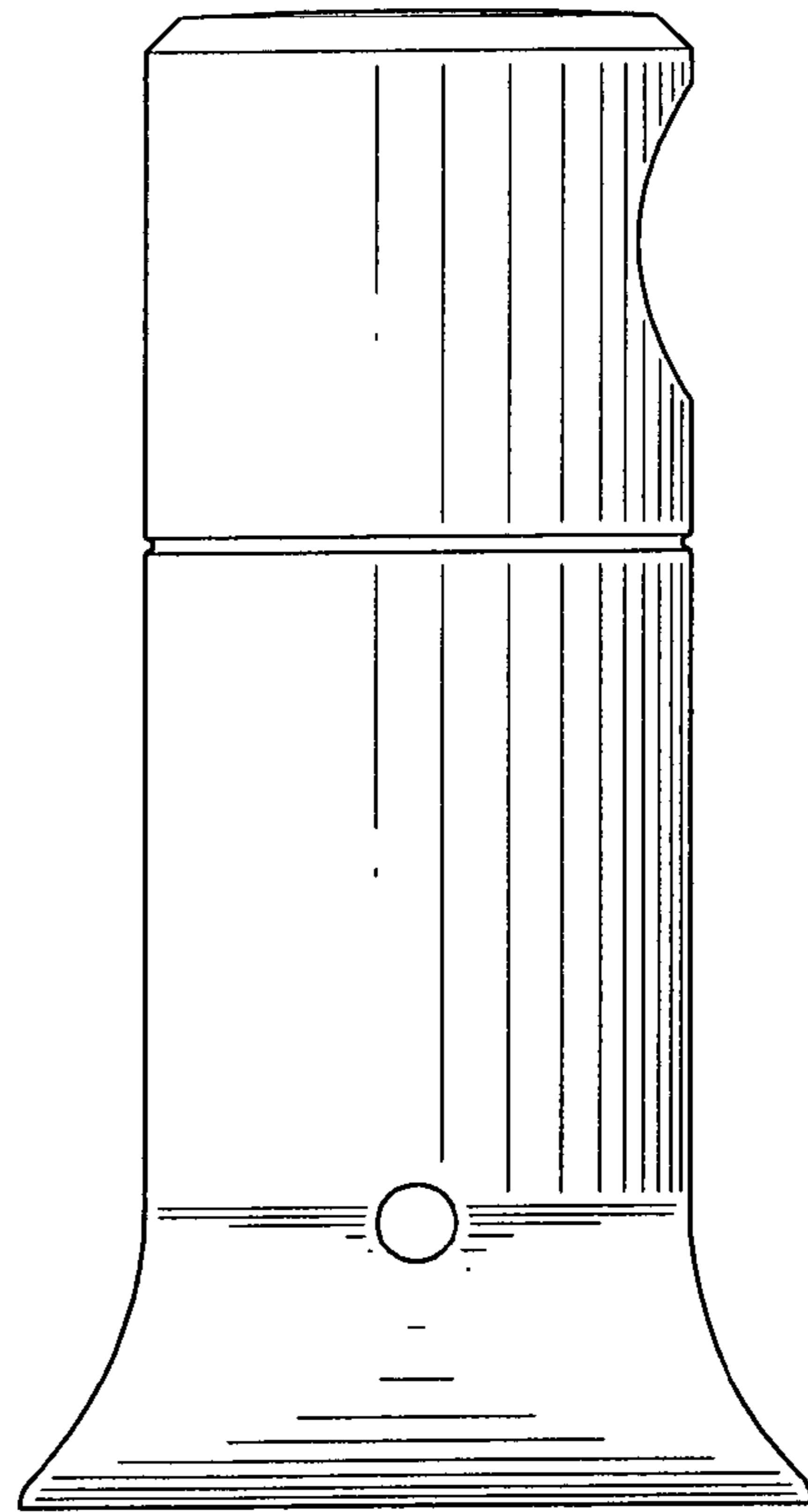


FIG. 6

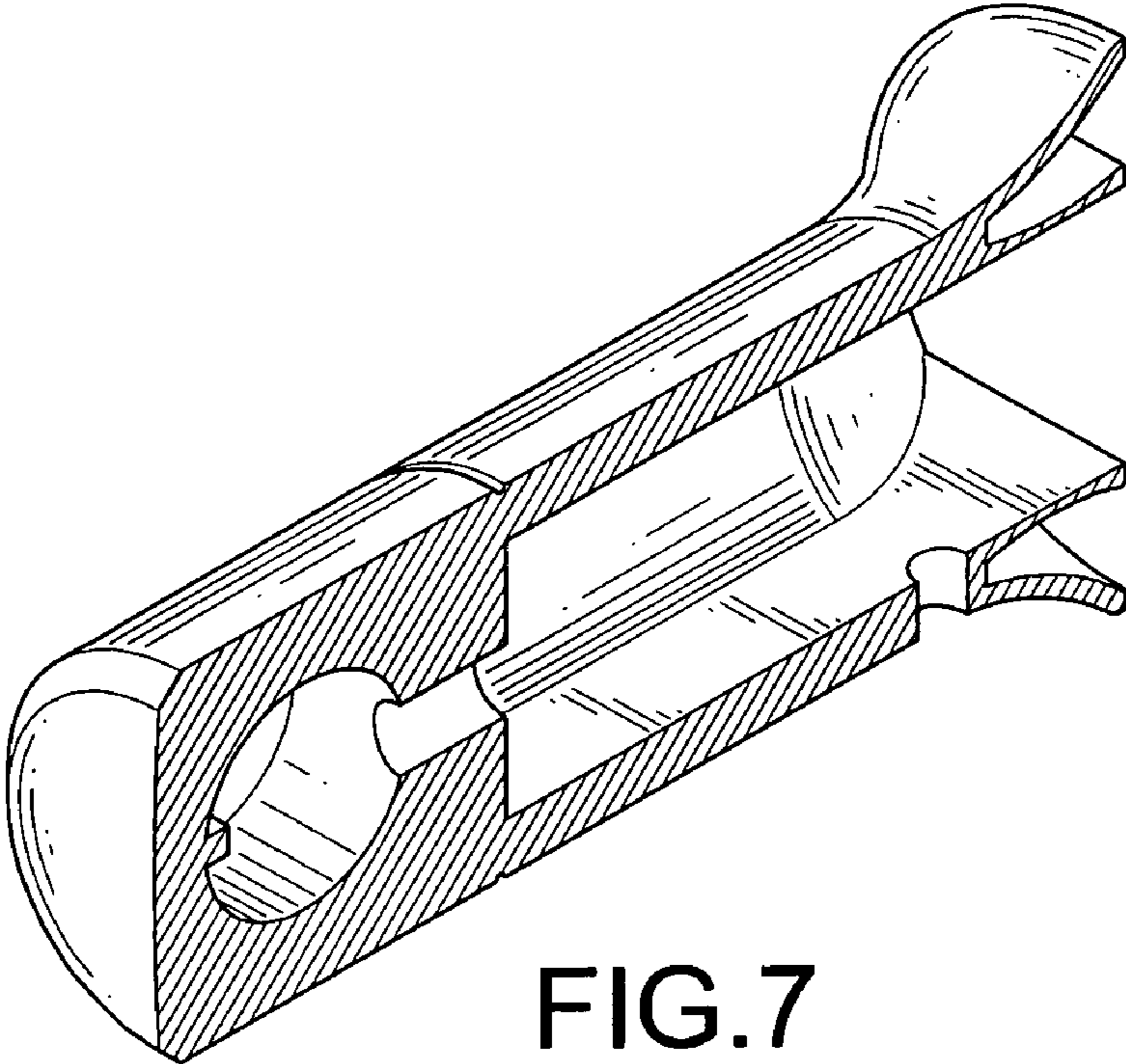


FIG. 7

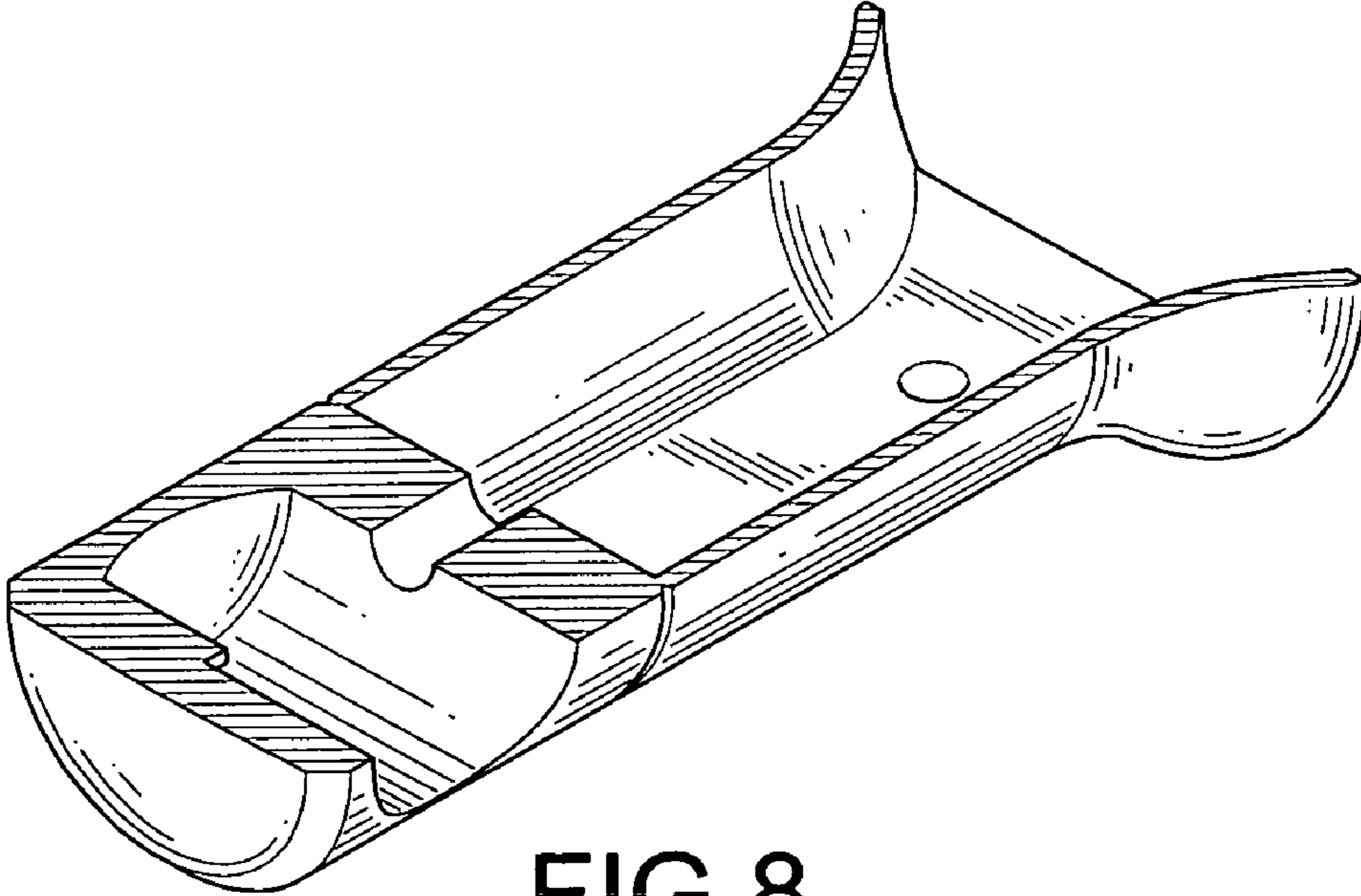


FIG. 8

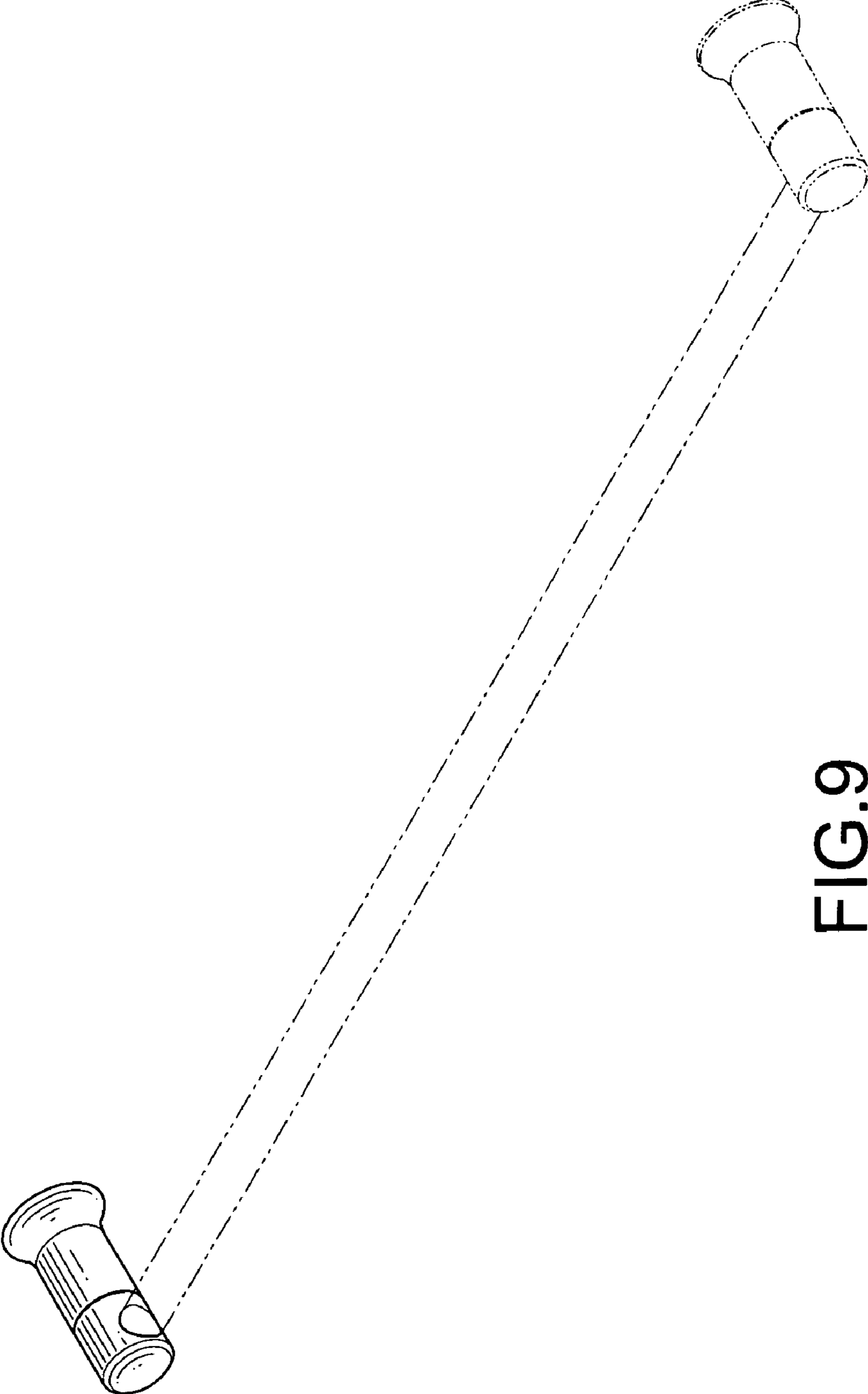


FIG.9