



US00D661528S

(12) **United States Design Patent**
Reitze

(10) **Patent No.:** **US D661,528 S**
(45) **Date of Patent:** **** Jun. 12, 2012**

(54) **TOWEL DISPENSER**

(76) Inventor: **Frederick Reitze**, Evanston, IL (US)

(**) Term: **14 Years**

(21) Appl. No.: **29/410,259**

(22) Filed: **Jan. 6, 2012**

(51) **LOC (9) Cl.** **06-04**

(52) **U.S. Cl.** **D6/518**

(58) **Field of Classification Search** D6/542-545,
D6/553, 567, 574, 515-525, 549; 206/77.1;
211/13.1, 86.01, 87.01; 221/14, 92, 649,
221/146.1, 146.2, 105; 222/281-282; D23/225;
D8/349, 354, 363, 373, 394; D24/155
See application file for complete search history.

(56) **References Cited**

U.S. PATENT DOCUMENTS

D205,087 S *	6/1966	Vanderhyde	D6/518
D276,387 S *	11/1984	Conti	D6/549
D299,396 S *	1/1989	Meyer	D6/522
D486,680 S *	2/2004	AlJizawi	D6/522
D493,312 S *	7/2004	Collins et al.	D6/518
D540,584 S *	4/2007	Igarashi	D6/518
D540,585 S *	4/2007	Igarashi	D6/518
D633,317 S *	3/2011	Walters	D6/522
D647,340 S *	10/2011	Stephens	D6/518

* cited by examiner

Primary Examiner — Brian N Vinson

(74) *Attorney, Agent, or Firm* — Michael Stanley Tomsa;
Katten Muchin Rosenman LLP

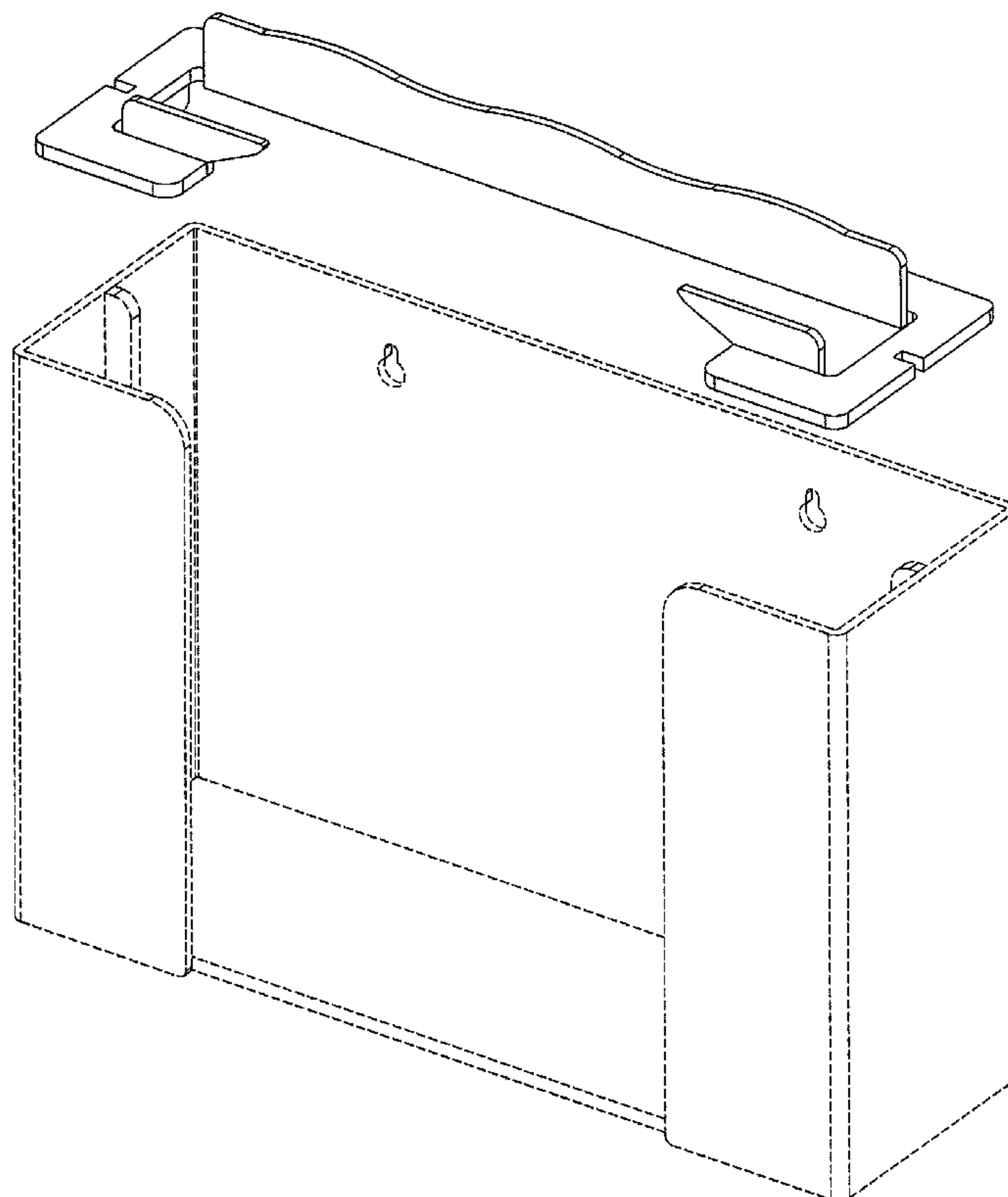
(57) **CLAIM**

The ornamental design for the towel dispenser, as shown and described.

DESCRIPTION

FIG. 1 is a front perspective view of a towel dispenser of the present invention;
 FIG. 2 is a top plan view of the towel dispenser of the present invention;
 FIG. 3 is a bottom plan view of the towel dispenser of the present invention;
 FIG. 4 is a front perspective view of the towel dispenser of the present invention;
 FIG. 5 is a rear perspective view of the towel dispenser of the present invention;
 FIG. 6 is a right side view of the towel dispenser of the present invention;
 FIG. 7 is a left side view of the towel dispenser of the present invention; and,
 FIG. 8 is a front perspective view of the towel dispenser of the present invention engaging a box for holding towels to be dispensed.
 The broken lines shown in FIG. 8 are for illustrative purposes only and form no part of the claimed design.

1 Claim, 3 Drawing Sheets



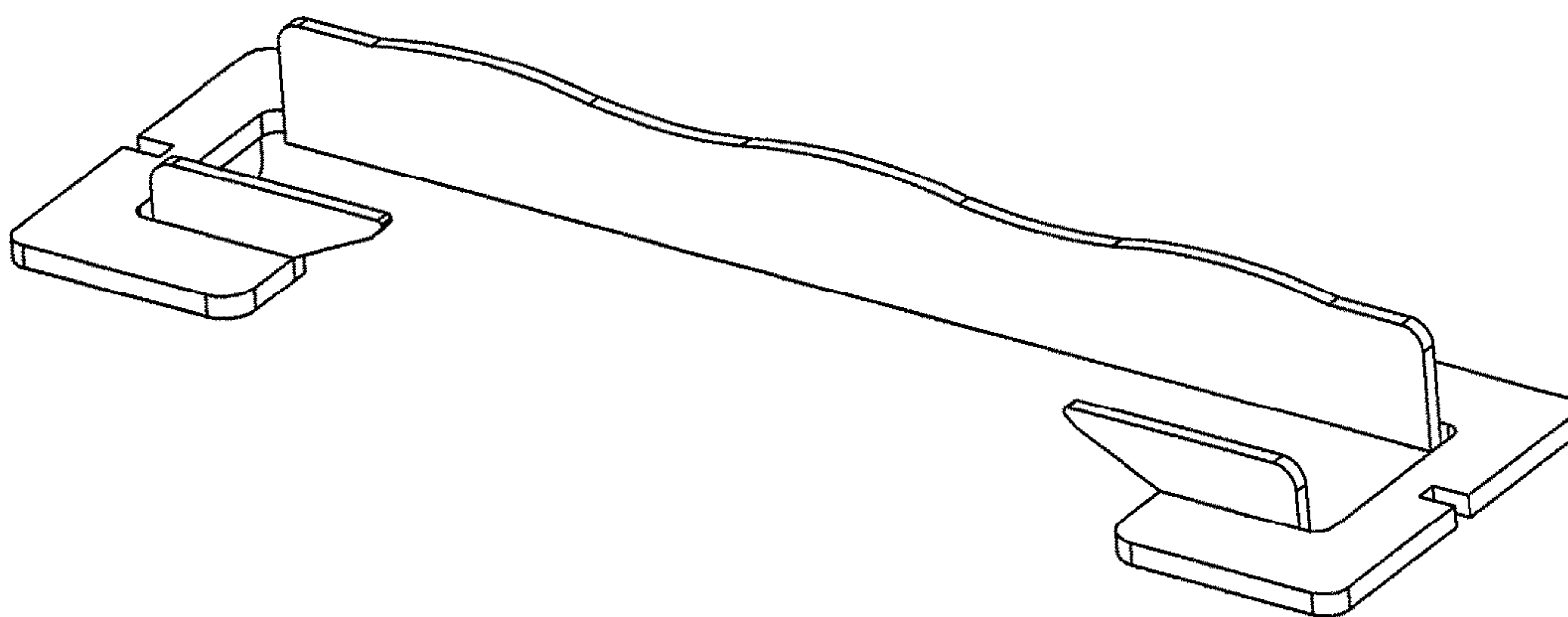


Figure 1

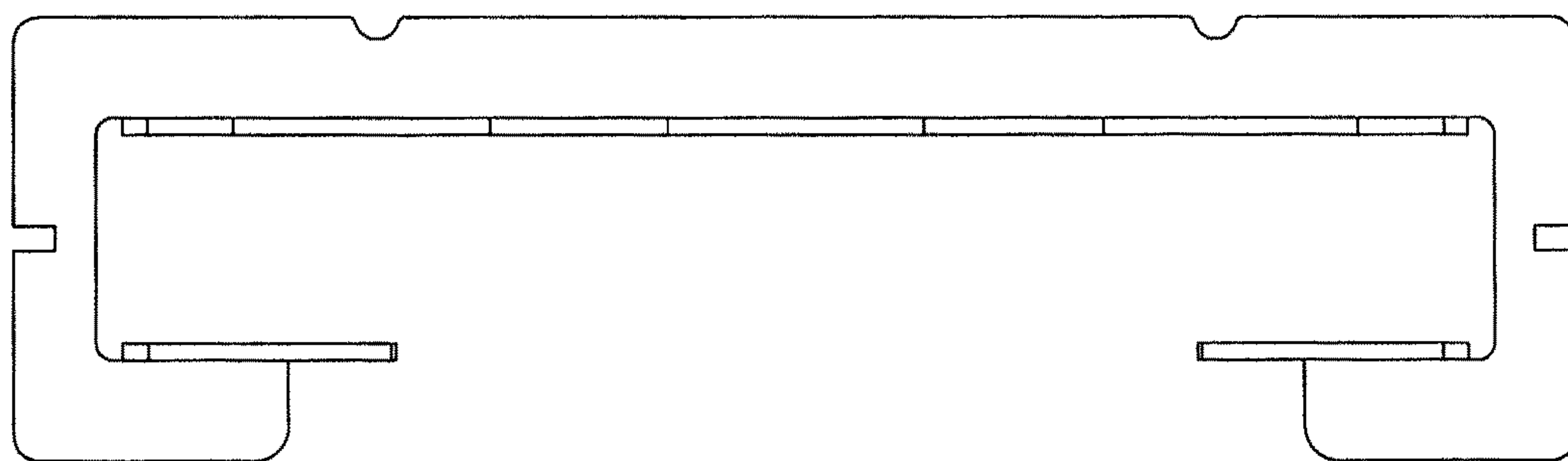


Figure 2

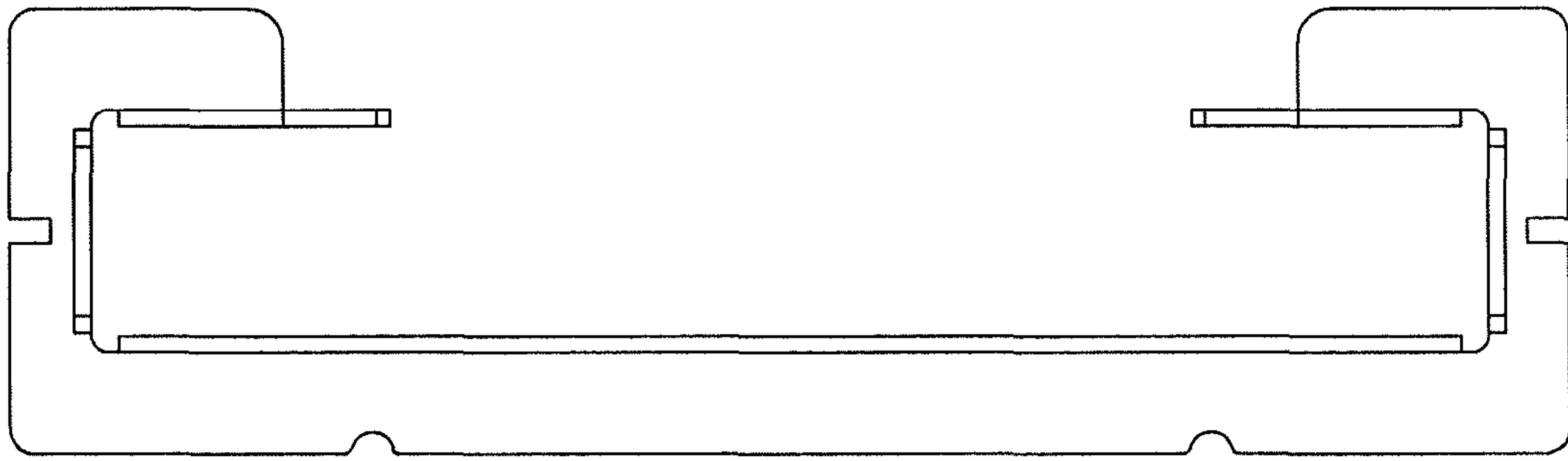


Figure 3



Figure 4

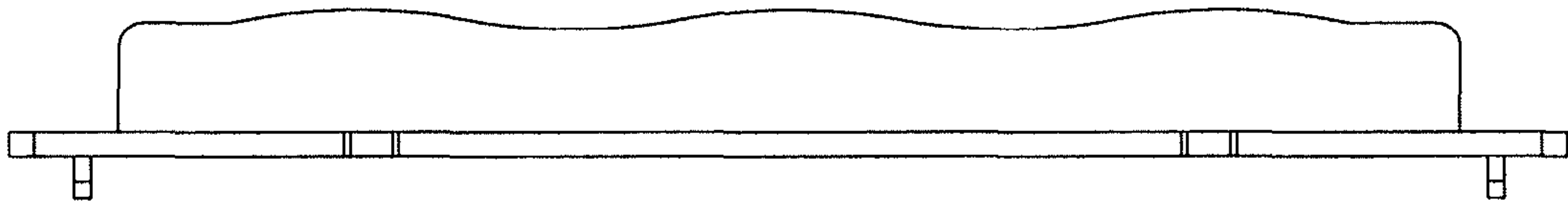


Figure 5

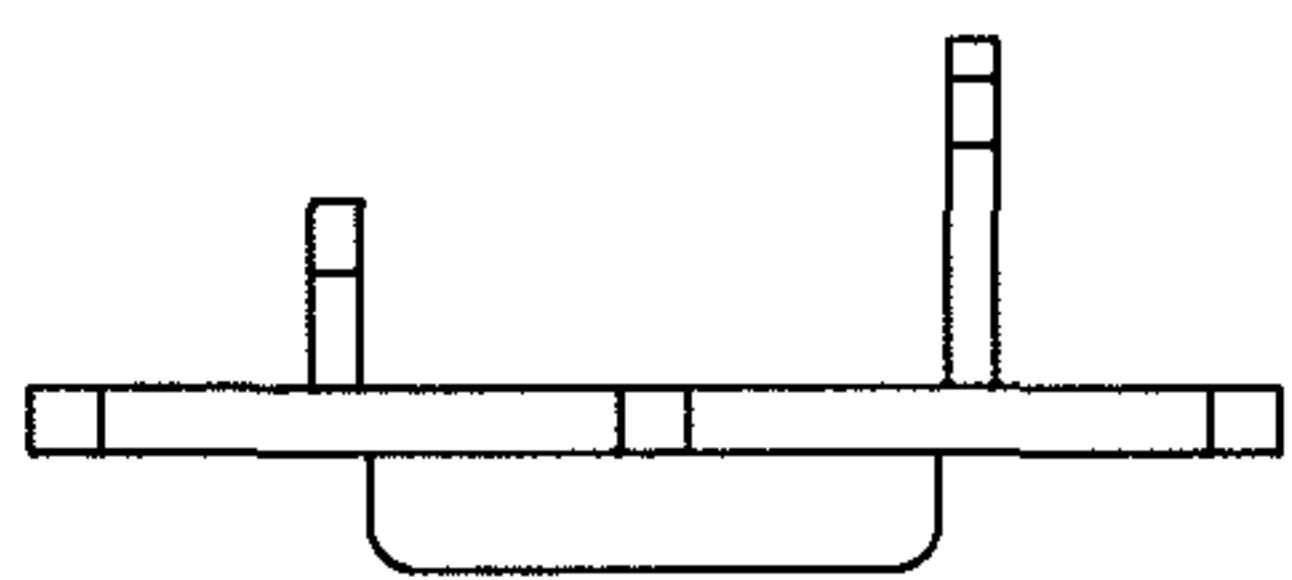


Figure 6

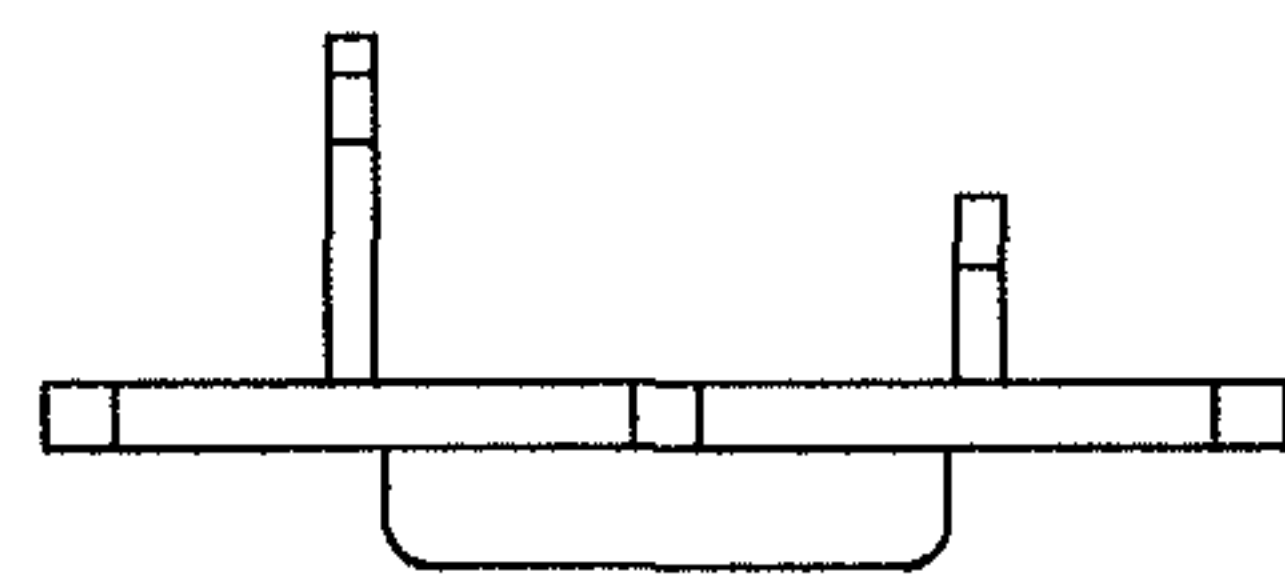


Figure 7

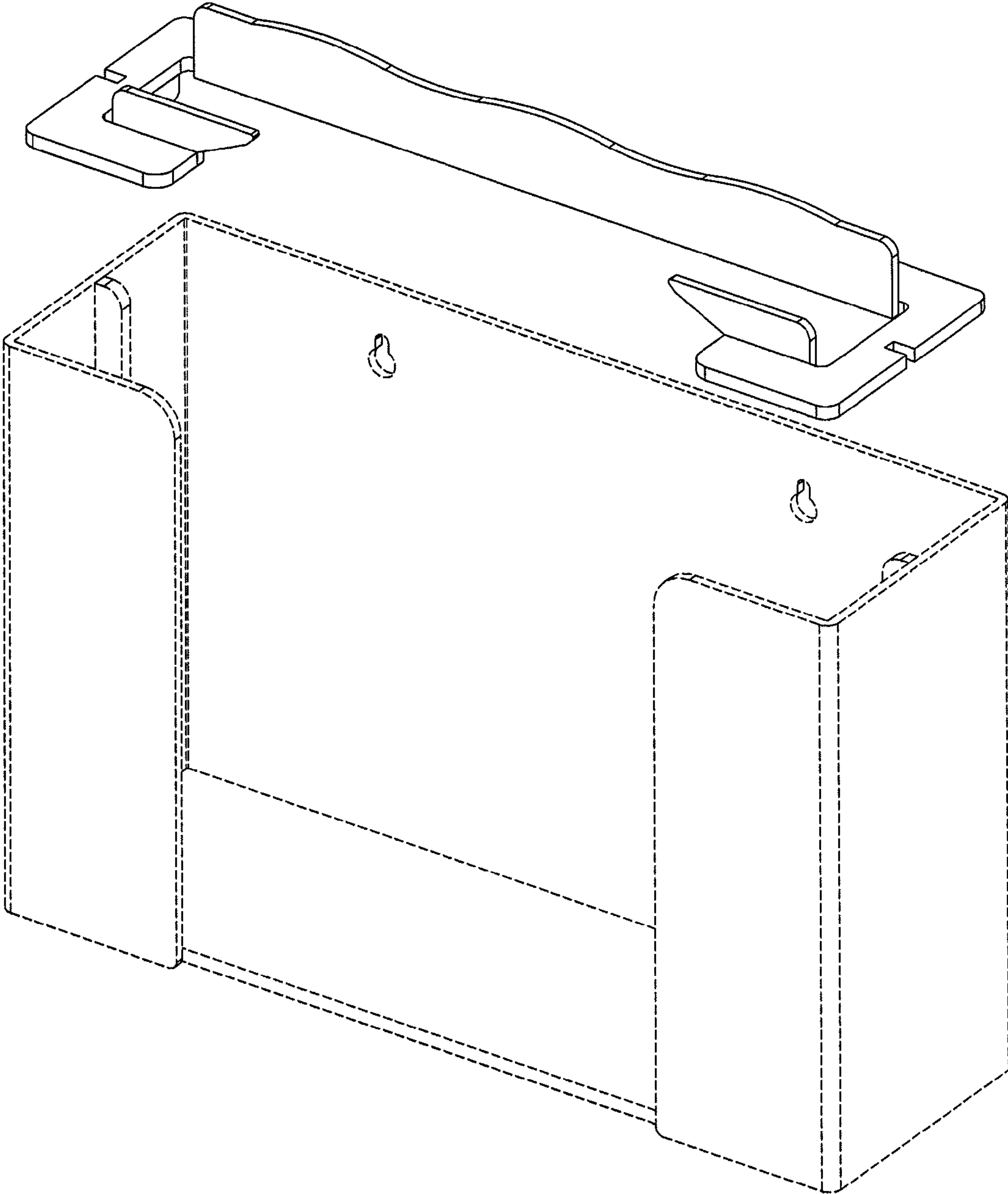


Figure 8