

US00D661526S

(12) **United States Design Patent**
Evans

(10) **Patent No.:** **US D661,526 S**
(45) **Date of Patent:** **** Jun. 12, 2012**

(54) **RACK FOR HANGING POTS AND PANS**

(76) Inventor: **Damian Philip Evans**, London (GB)

(**) Term: **14 Years**

(21) Appl. No.: **29/379,335**

(22) Filed: **Nov. 18, 2010**

(30) **Foreign Application Priority Data**

May 20, 2010 (EM) 001710153-0001

(51) **LOC (9) Cl.** **06-06**

(52) **U.S. Cl.** **D6/514**

(58) **Field of Classification Search** D6/512-514,
D6/315, 317, 320, 324, 325, 522, 570, 574,
D6/548, 549, 566; D21/692; 211/13.1, 34-39,
211/85.3, 113, 117; 248/309.2
See application file for complete search history.

(56) **References Cited**

U.S. PATENT DOCUMENTS

2,643,775 A * 6/1953 Franklin 211/85.3
D344,673 S * 3/1994 Effron D6/566
D353,502 S * 12/1994 Liu D6/514

D397,565 S * 9/1998 Klein et al. D6/513
D406,972 S * 3/1999 McCoy D6/513
D466,396 S * 12/2002 Snell D8/372
D518,669 S * 4/2006 Rafoth et al. D6/513
D610,849 S * 3/2010 Klein et al. D6/513

* cited by examiner

Primary Examiner — Brian N Vinson

(74) *Attorney, Agent, or Firm* — Heslin Rothenberg Farley
& Mesiti P.C.

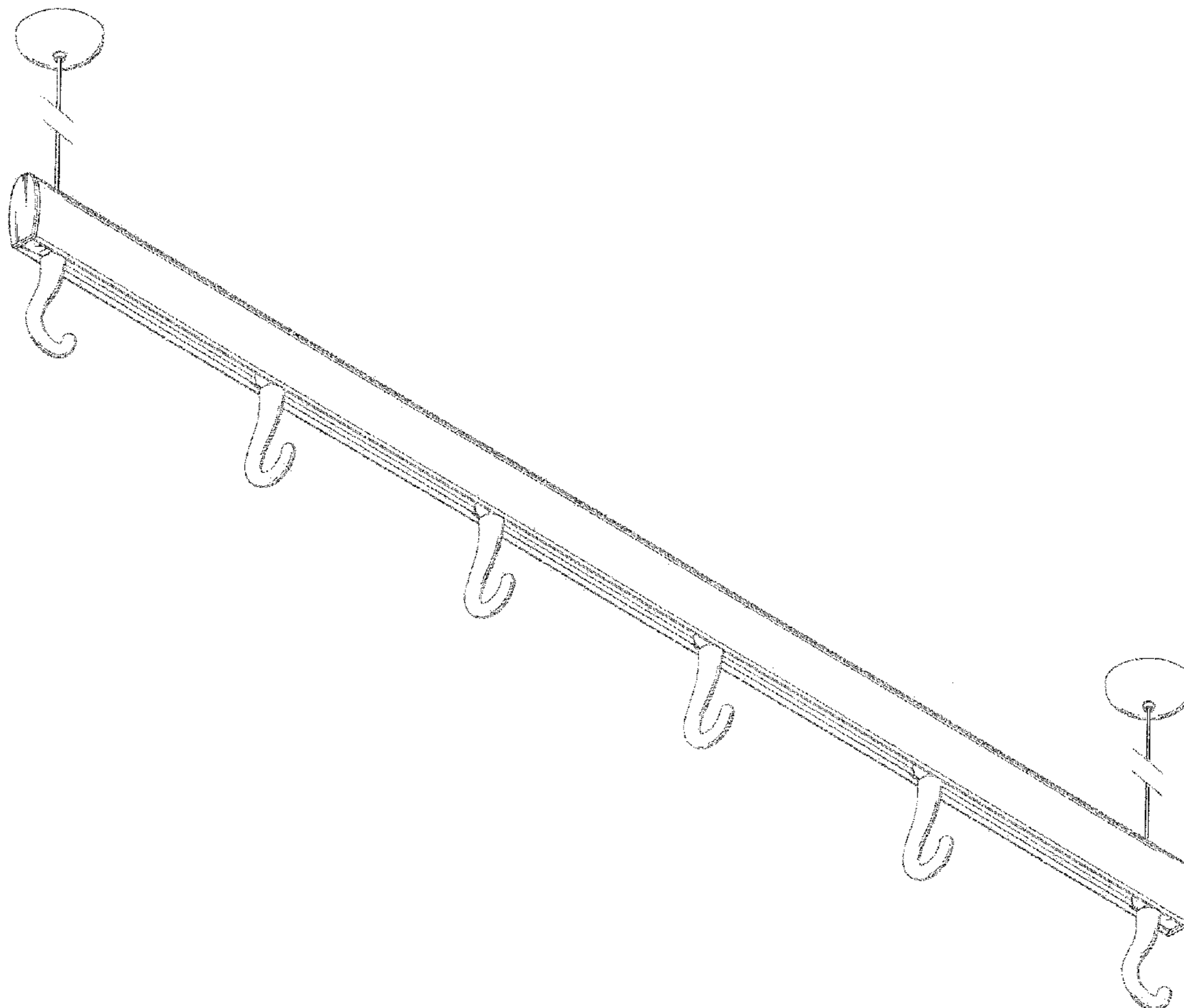
(57) **CLAIM**

The ornamental design for a rack for hanging pots and pans,
as shown and described.

DESCRIPTION

FIG. 1 is a front elevation view of the rack for hanging pots
and pans of the present invention;
FIG. 2 is a top plan view thereof;
FIG. 3 is a bottom plan view thereof;
FIG. 4 is a right side elevation view thereof;
FIG. 5 is a left side elevation view thereof; and,
FIG. 6 is a front perspective view thereof.
The vertical elements in the views are shown broken-away to
indicate an unclaimed length.

1 Claim, 6 Drawing Sheets



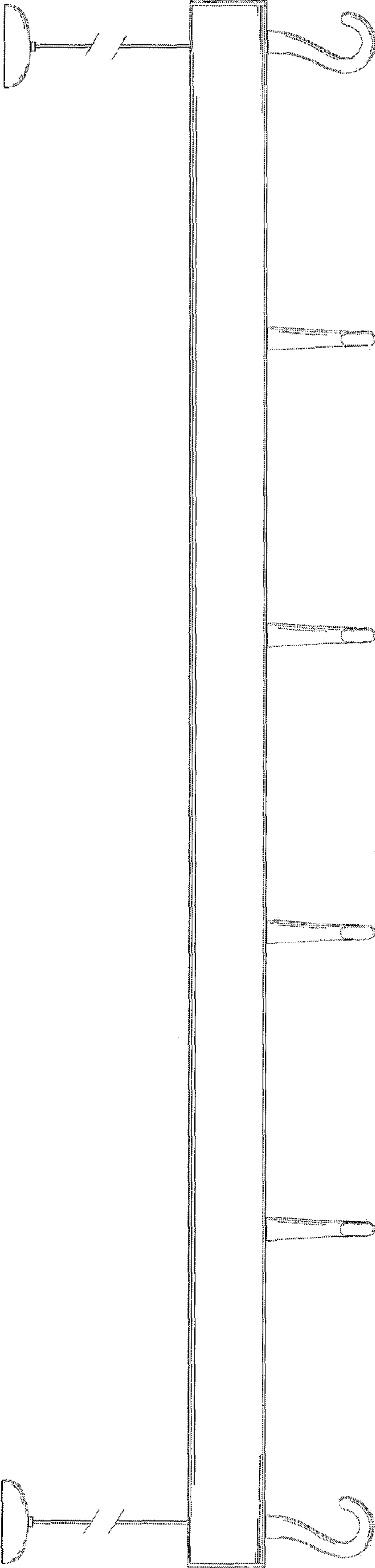


FIG. 1

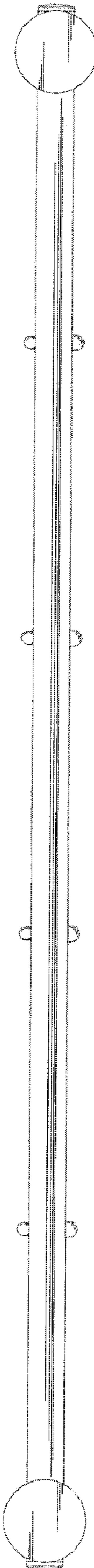


FIG. 2

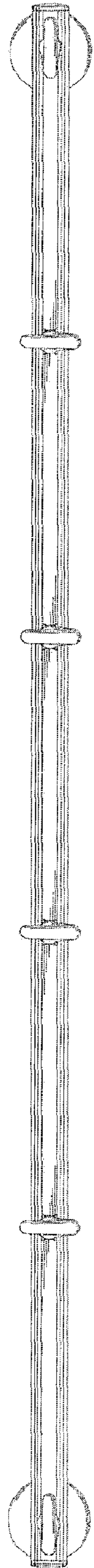


FIG. 3

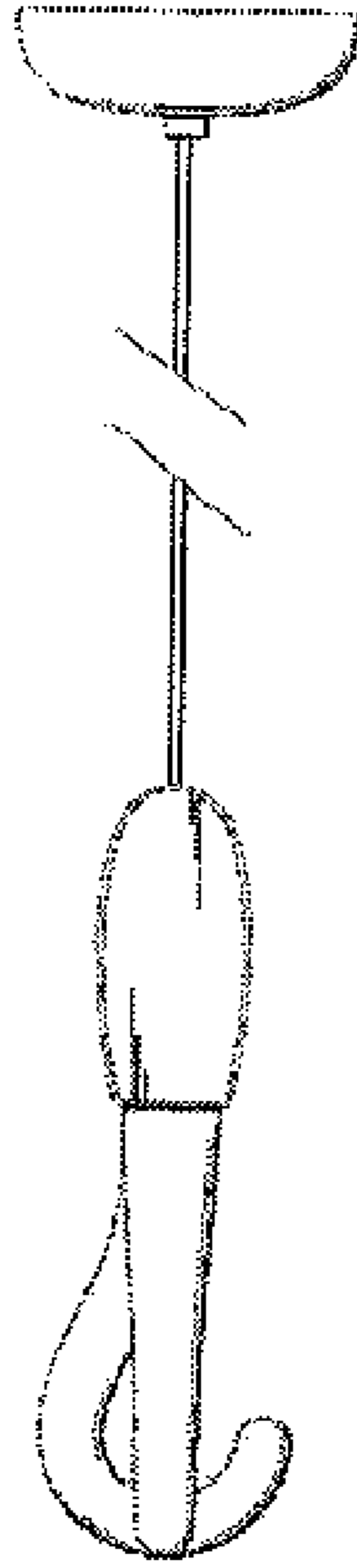


FIG. 4

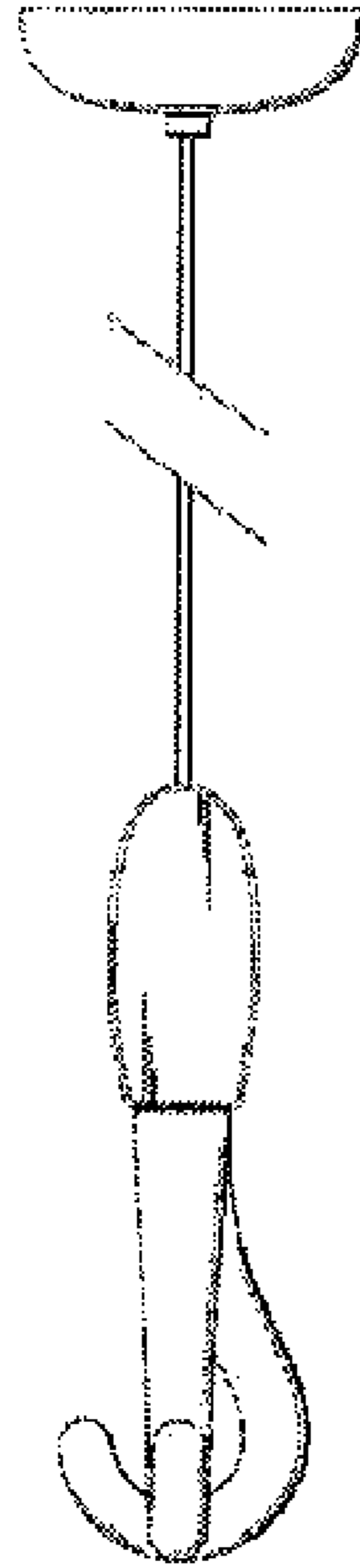


FIG. 5

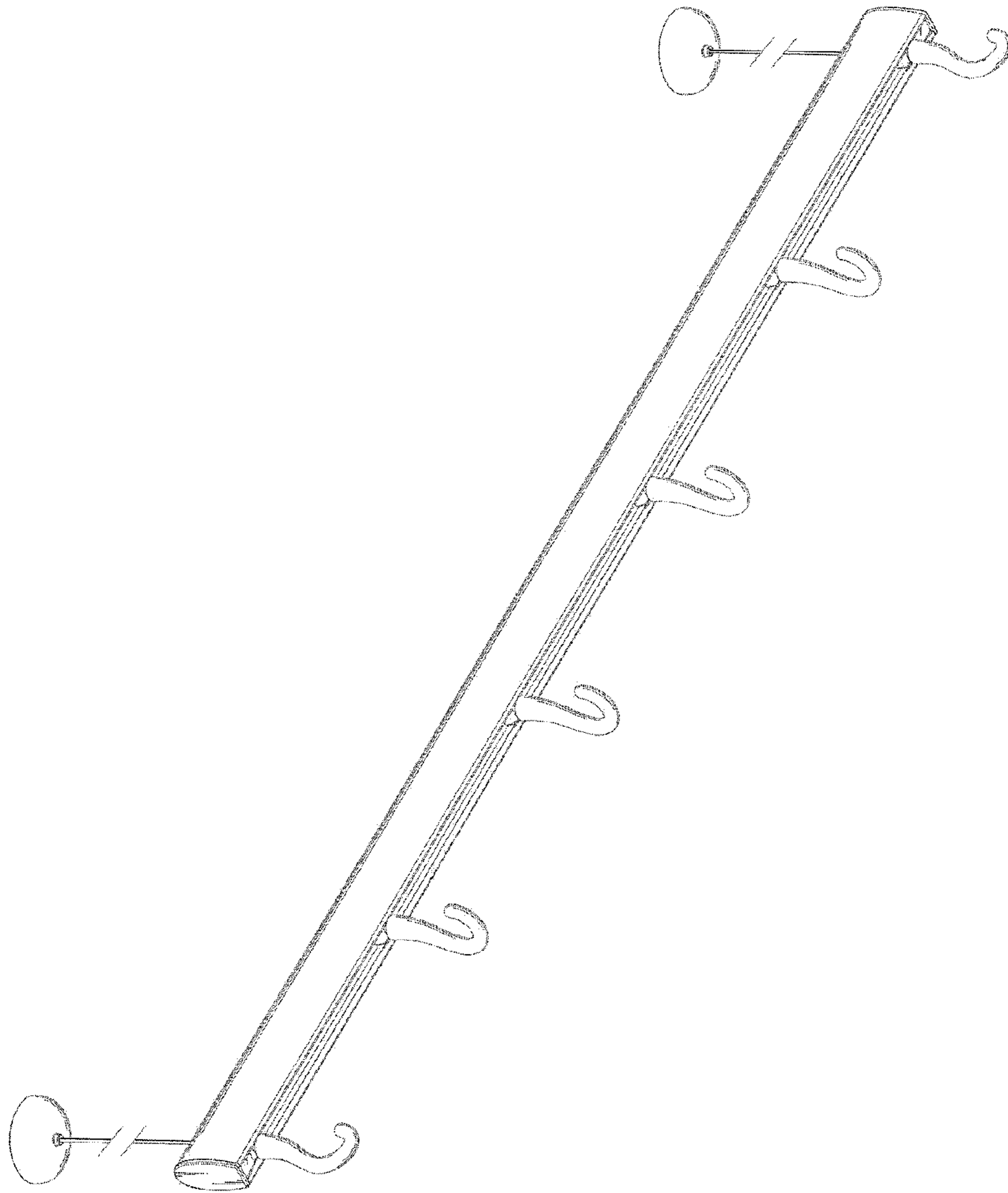


FIG. 6