



US00D661525S

(12) **United States Design Patent**
Watts

(10) **Patent No.:** **US D661,525 S**
(45) **Date of Patent:** **** Jun. 12, 2012**

- (54) **FLAT EXTRUSION**
- (75) Inventor: **Billy D. Watts**, Corrales, NM (US)
- (73) Assignee: **Data Center Transitions, Inc.**, Corrales, NM (US)
- (**) Term: **14 Years**
- (21) Appl. No.: **29/367,599**
- (22) Filed: **Aug. 10, 2010**
- (51) **LOC (9) Cl.** **06-02**
- (52) **U.S. Cl.** **D6/509**
- (58) **Field of Classification Search** D6/509;
D25/52, 60, 119, 122-125; D26/138; 49/501;
52/287.1, 716.1, 716.8, 718.04
See application file for complete search history.

- 6,471,308 B1 10/2002 Konshak et al.
 - D547,884 S * 7/2007 Aughton et al. D25/119
 - 7,316,461 B2 1/2008 Wyatt et al.
 - D584,868 S * 1/2009 Higareda et al. D32/45
 - D584,869 S * 1/2009 Higareda et al. D32/45
 - D625,941 S * 10/2010 Holzer D6/510
 - D631,267 S * 1/2011 Puksta D6/509
 - D634,063 S * 3/2011 Peifer D26/138
 - D649,691 S * 11/2011 Trzesniowski D26/138
 - 2002/0153335 A1 10/2002 Robideau
 - 2002/0153814 A1 10/2002 Robideau
- * cited by examiner

Primary Examiner — Kelley Donnelly
(74) *Attorney, Agent, or Firm* — Justin R. Jackson; Deborah A. Peacock; Peacock Myers, P.C.

(57) **CLAIM**
The ornamental design for a flat extrusion, as shown and described.

DESCRIPTION

FIG. 1 is a top view of the flat extrusion embodying my new design;
FIG. 2 is a bottom view thereof;
FIG. 3 is a left view thereof;
FIG. 4 is a right view thereof;
FIG. 5 is a front view thereof;
FIG. 6 is a back view thereof;
FIG. 7 is a left perspective view thereof; and,
FIG. 8 is a right perspective view thereof.

1 Claim, 3 Drawing Sheets

(56) **References Cited**

U.S. PATENT DOCUMENTS

- 3,919,603 A 11/1975 Salvati et al.
- D330,432 S * 10/1992 Weinerman D25/119
- D332,315 S * 1/1993 Weinerman D25/119
- D343,909 S * 2/1994 Flynn D25/123
- 5,997,117 A 12/1999 Krietzman
- D419,197 S * 1/2000 Joyner, III D20/44
- D427,325 S * 6/2000 Ginzel D25/119
- 6,168,249 B1 1/2001 Chien

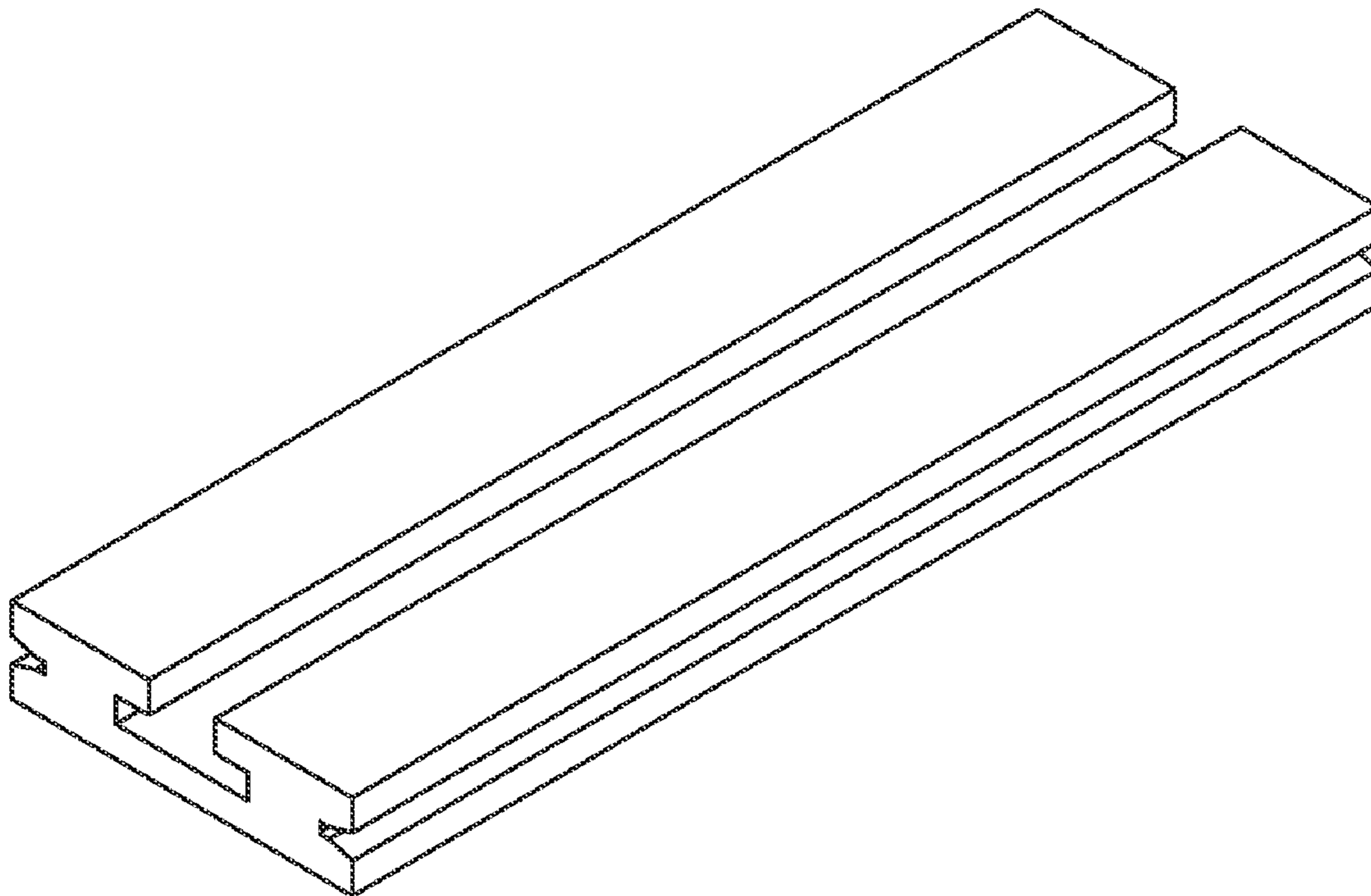




FIG. 1



FIG. 2

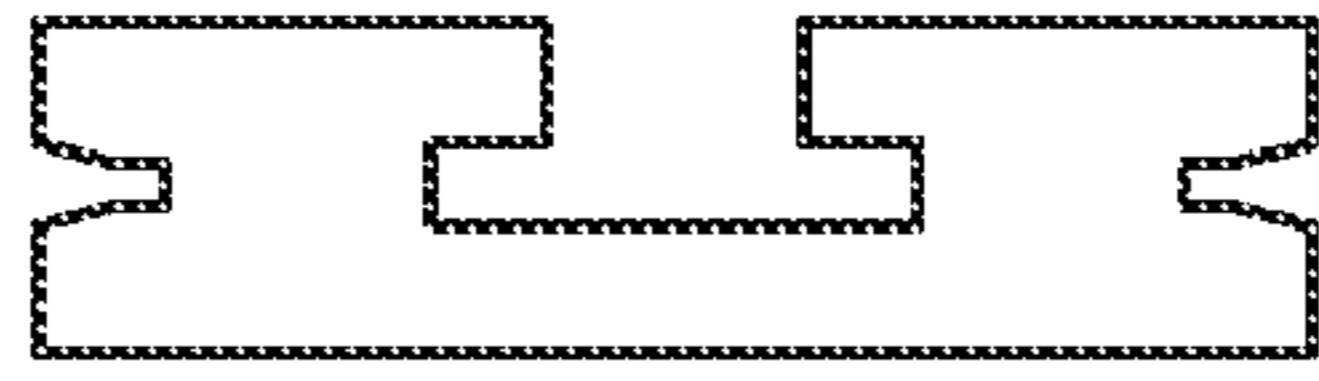


FIG. 3

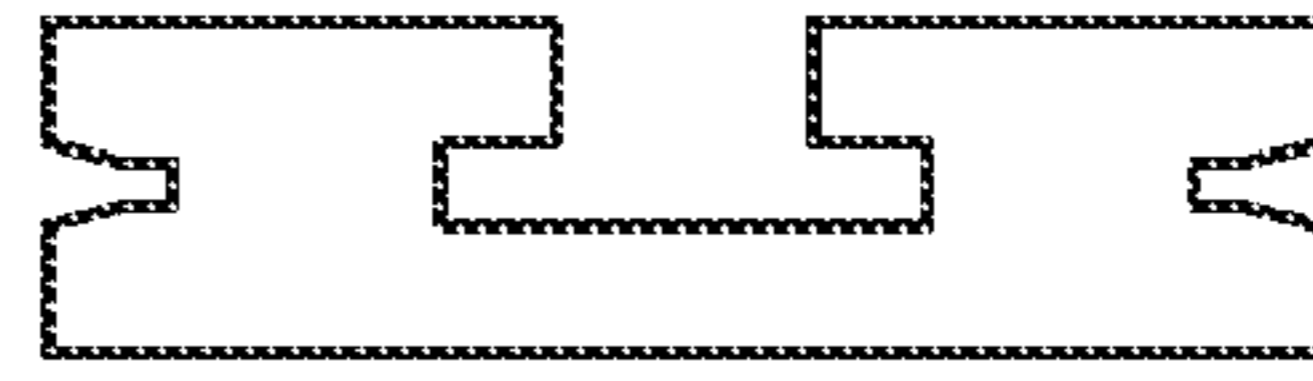


FIG. 4

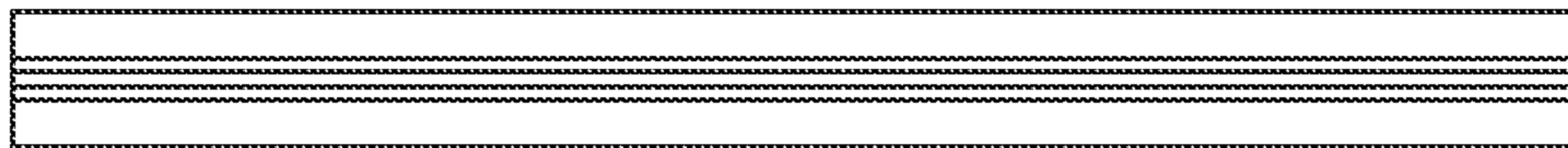


FIG. 5

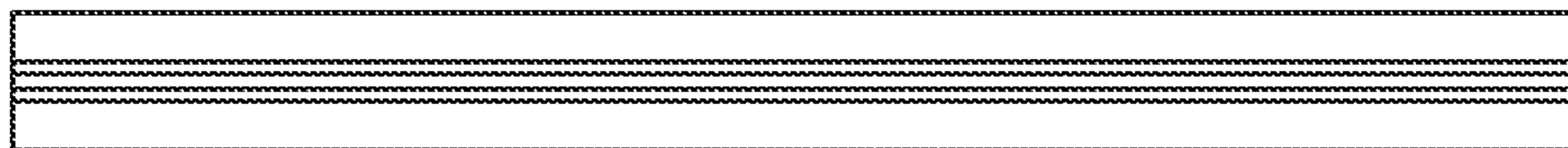


FIG. 6

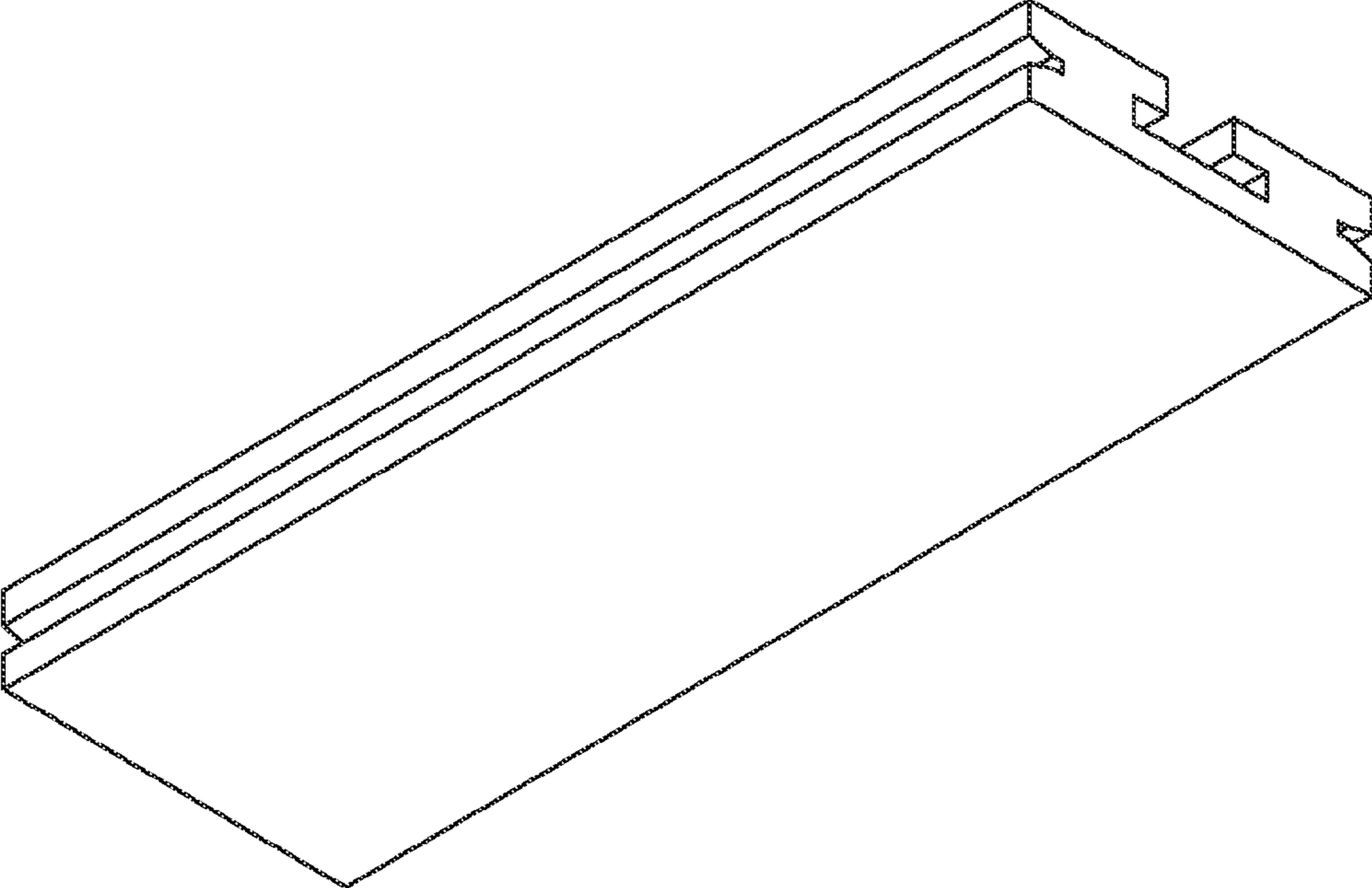


FIG. 7

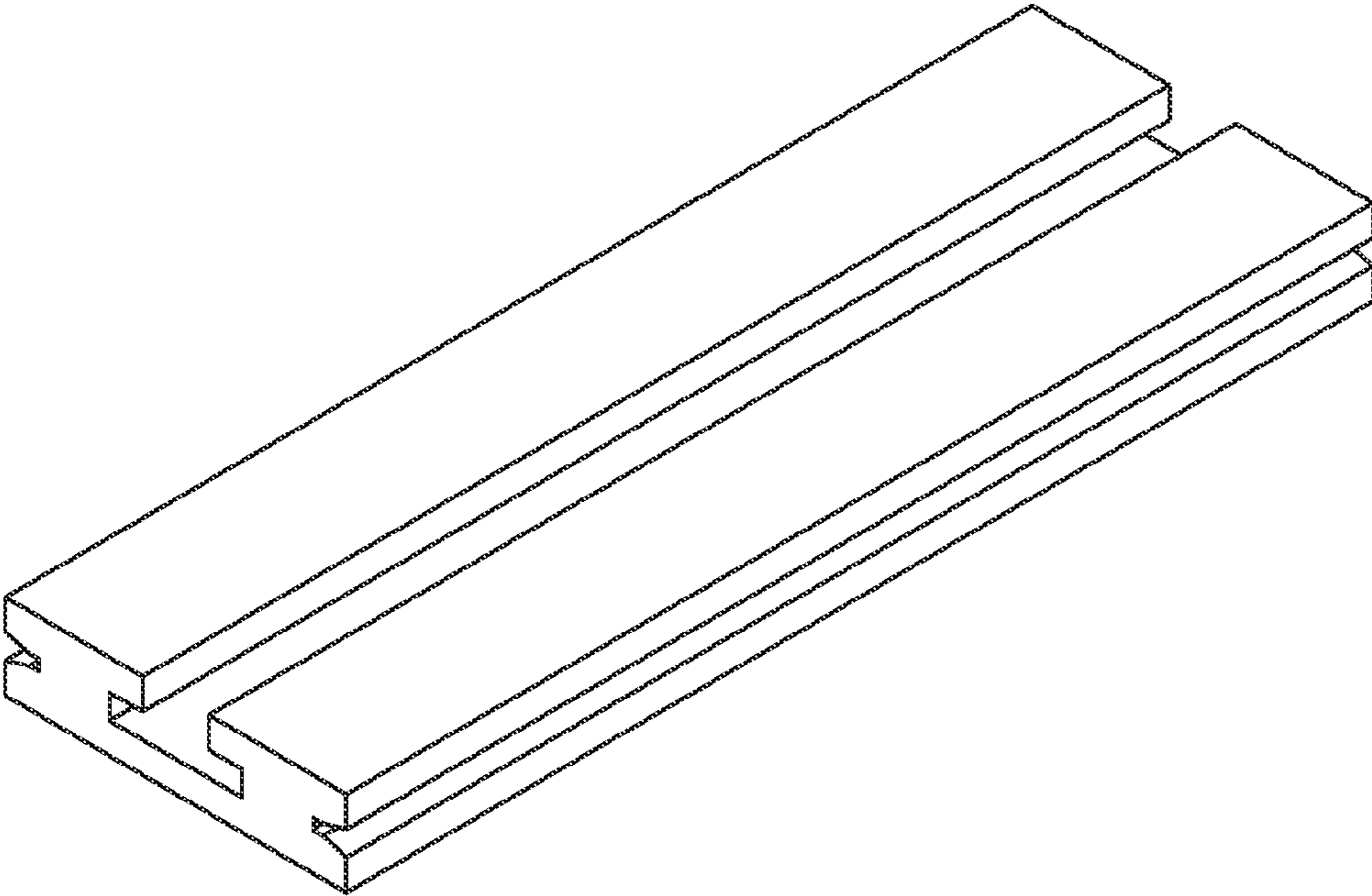


FIG. 8