

US00D661524S

(12) **United States Design Patent**
Watts

(10) **Patent No.:** **US D661,524 S**
(45) **Date of Patent:** **** Jun. 12, 2012**

(54) **ANGLE EXTRUSION**

(75) Inventor: **Billy D. Watts**, Corrales, NM (US)

(73) Assignee: **Data Center Transitions, Inc.**, Corrales, NM (US)

(**) Term: **14 Years**

(21) Appl. No.: **29/367,596**

(22) Filed: **Aug. 10, 2010**

(51) **LOC (9) Cl.** **06-02**

(52) **U.S. Cl.** **D6/509**

(58) **Field of Classification Search** D6/509;
D25/52, 60, 119, 122-125; D26/138; 49/501;
52/287.1, 716.1, 716.8, 718.04
See application file for complete search history.

D584,425	S	*	1/2009	Chaney et al.	D25/124
D584,867	S	*	1/2009	Zach et al.	D32/45
D631,267	S	*	1/2011	Puksta	D6/509
D648,159	S	*	11/2011	Hense et al.	D6/509
D649,682	S	*	11/2011	Trzesniowski	D26/138
D651,739	S	*	1/2012	Trzesniowski	D26/138
D651,829	S	*	1/2012	Ma	D6/509
D652,985	S	*	1/2012	Trzesniowski	D26/138
D652,986	S	*	1/2012	Trzesniowski	D26/138
2002/0153335	A1		10/2002	Robideau		
2002/0153814	A1		10/2002	Robideau		

* cited by examiner

Primary Examiner — Kelley Donnelly

(74) *Attorney, Agent, or Firm* — Justin R. Jackson; Deborah A. Peacock; Peacock Myers, P.C.

(57) **CLAIM**

The ornamental design for an angle extrusion, as shown and described.

(56) **References Cited**

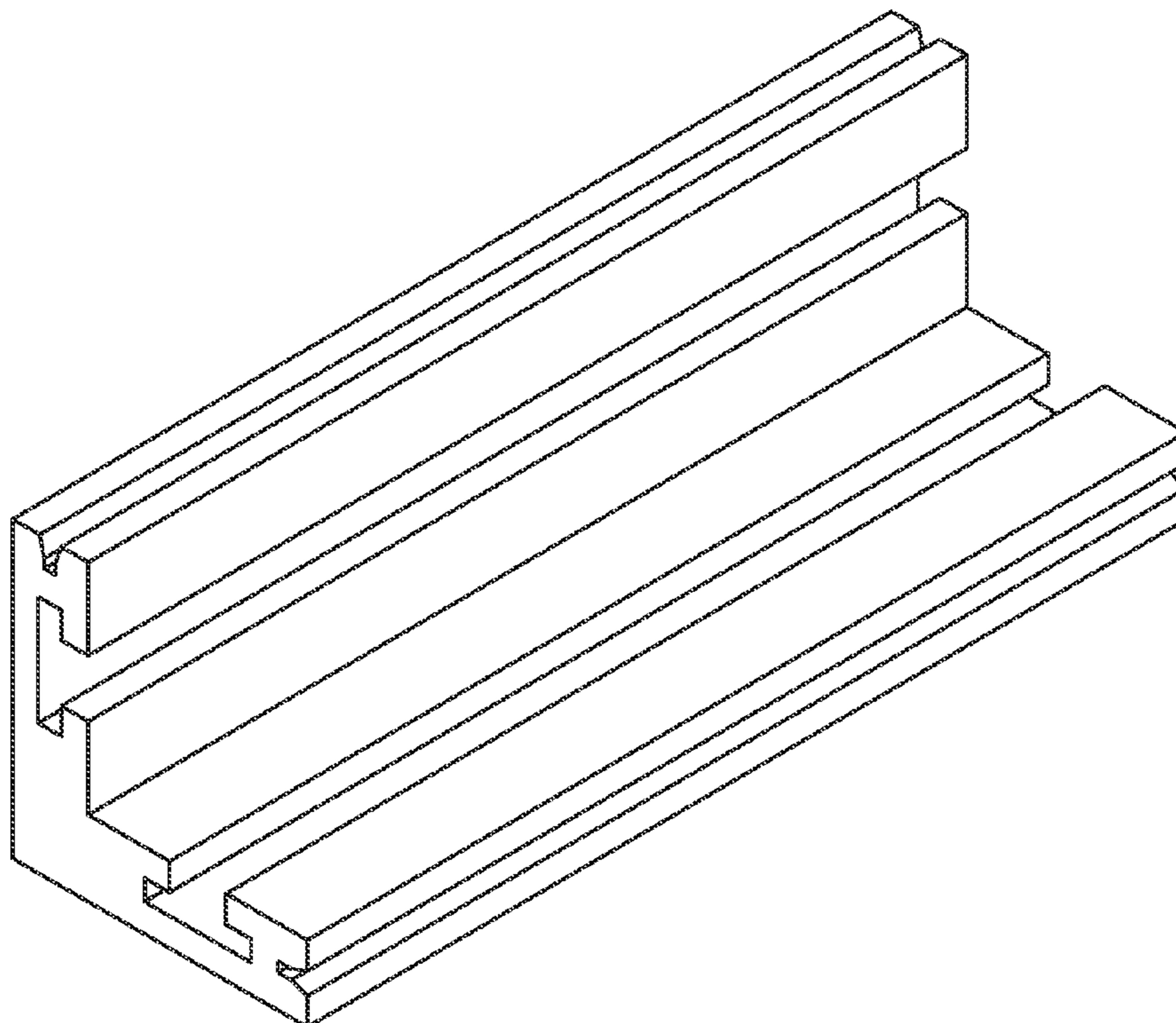
U.S. PATENT DOCUMENTS

3,919,603	A	11/1975	Salvati et al.	
D312,882	S	*	12/1990	Westphal et al. D25/124
D315,414	S	*	3/1991	Westphal et al. D25/119
D338,078	S	*	8/1993	Moss et al. D25/124
D343,005	S	*	1/1994	Moss et al. D25/119
D343,239	S	*	1/1994	Moss et al. D25/124
D398,708	S	*	9/1998	Opielski et al. D25/119
5,997,117	A	12/1999	Krietzman	
6,168,249	B1	1/2001	Chien	
6,471,308	B1	10/2002	Konshak et al.	
D544,105	S	*	6/2007	Flehsig D25/119
7,316,461	B2	1/2008	Wyatt et al.	

DESCRIPTION

FIG. 1 is a top view of the angle extrusion embodying my new design;
FIG. 2 is a bottom view thereof;
FIG. 3 is a left view thereof;
FIG. 4 is a right view thereof;
FIG. 5 is a front view thereof;
FIG. 6 is a back view thereof;
FIG. 7 is a left perspective view thereof; and,
FIG. 8 is a right perspective view thereof.

1 Claim, 4 Drawing Sheets



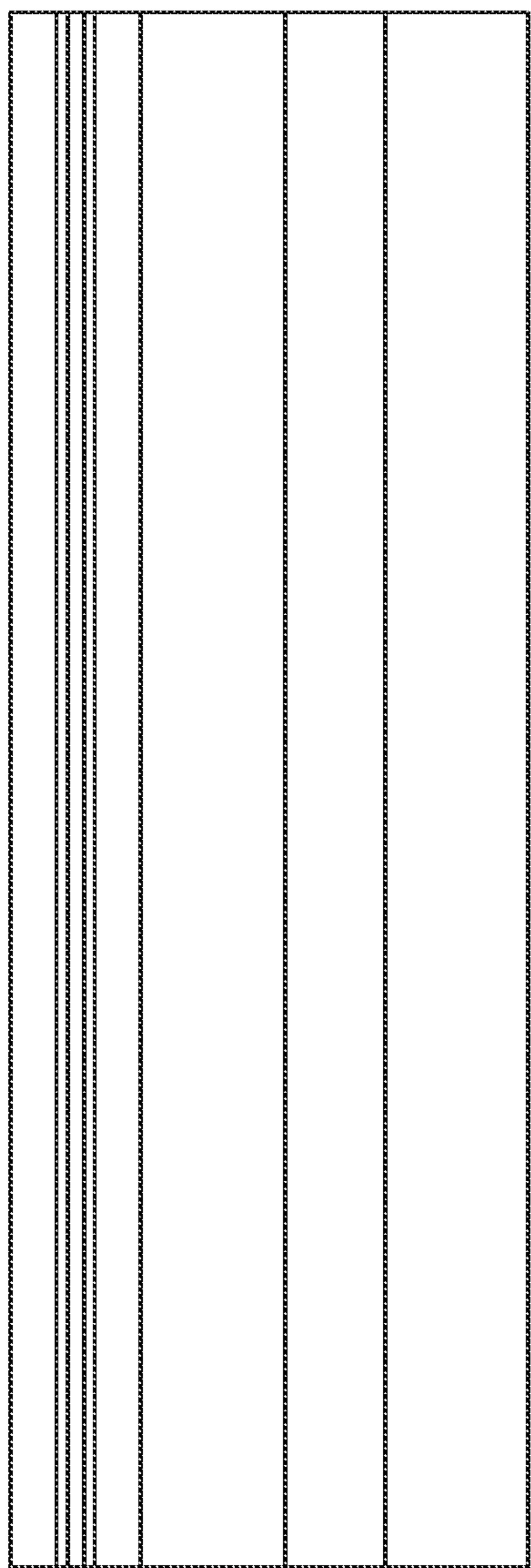


FIG. 1

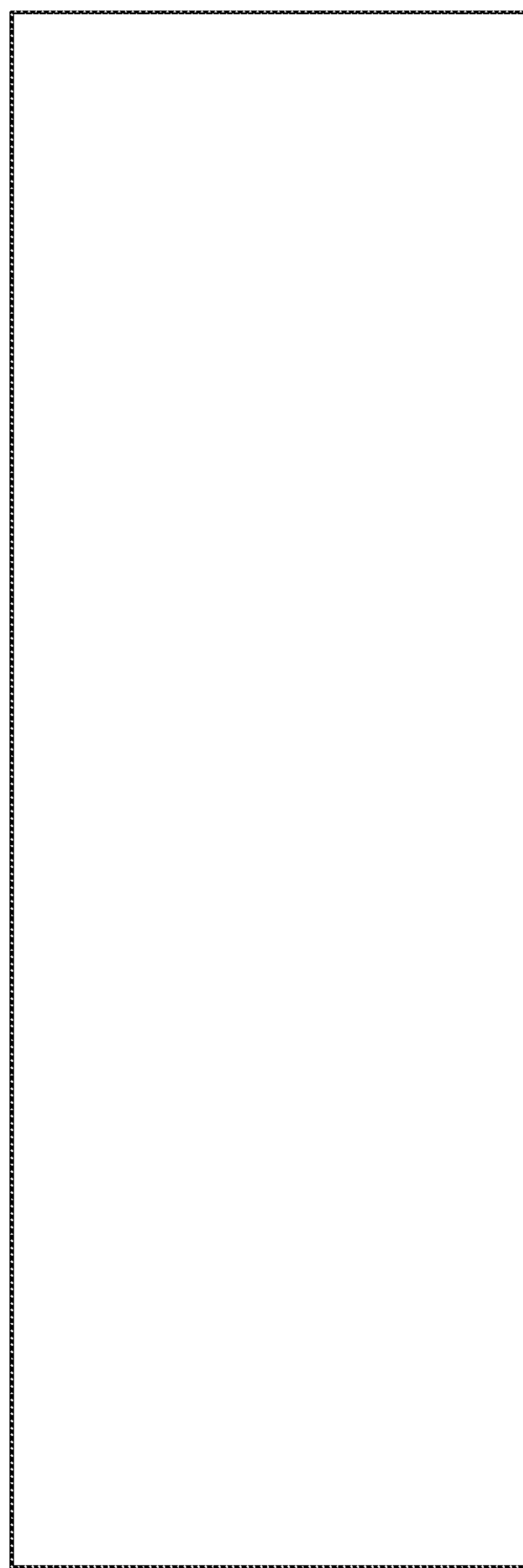


FIG. 2

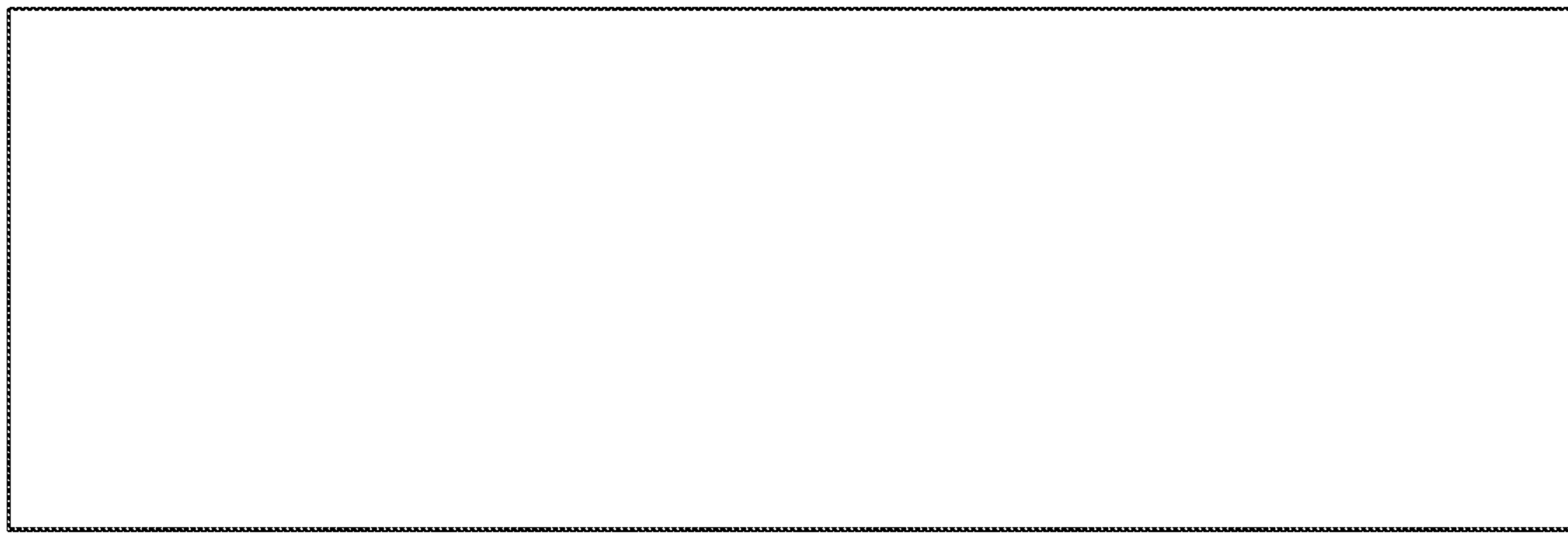


FIG. 3

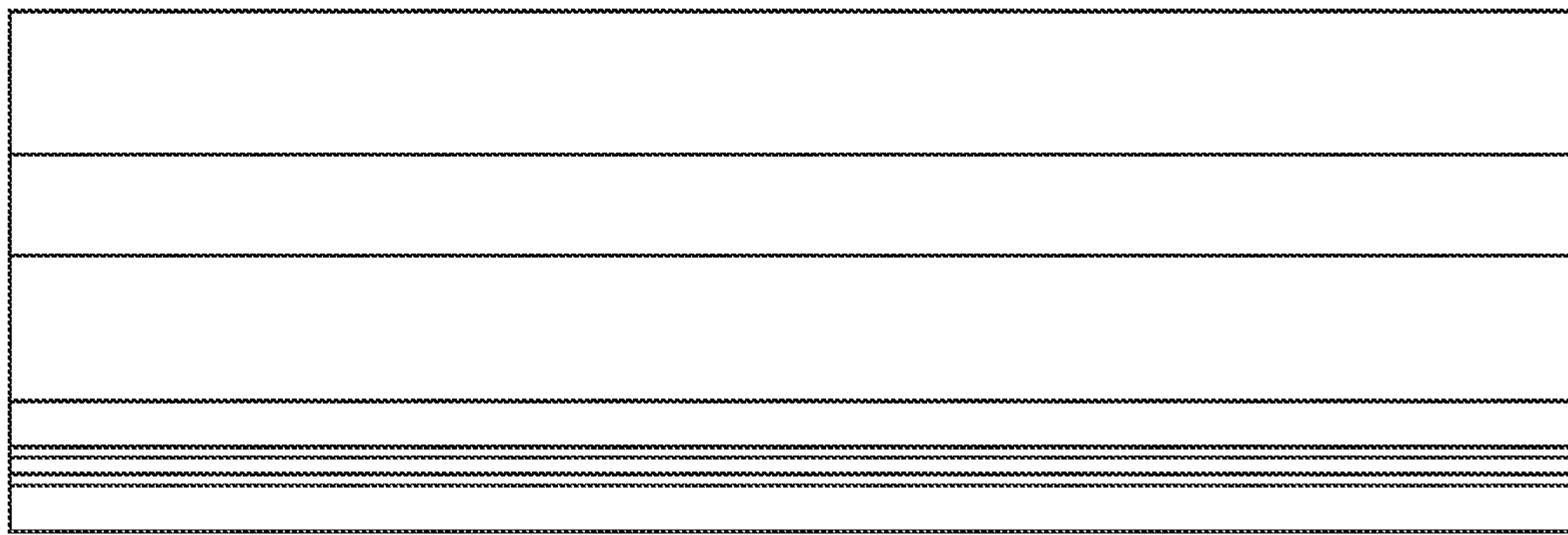


FIG. 4

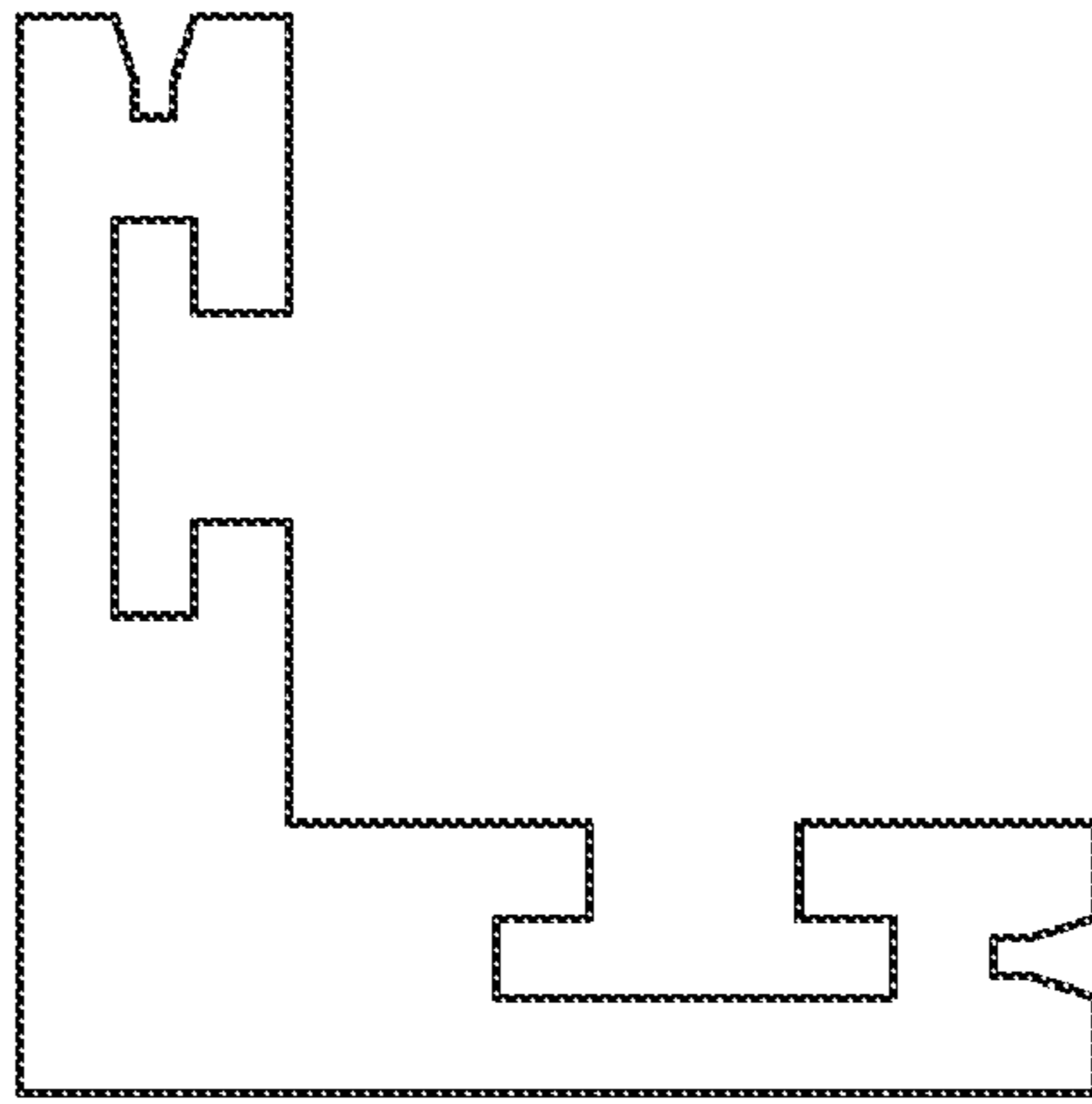


FIG. 5

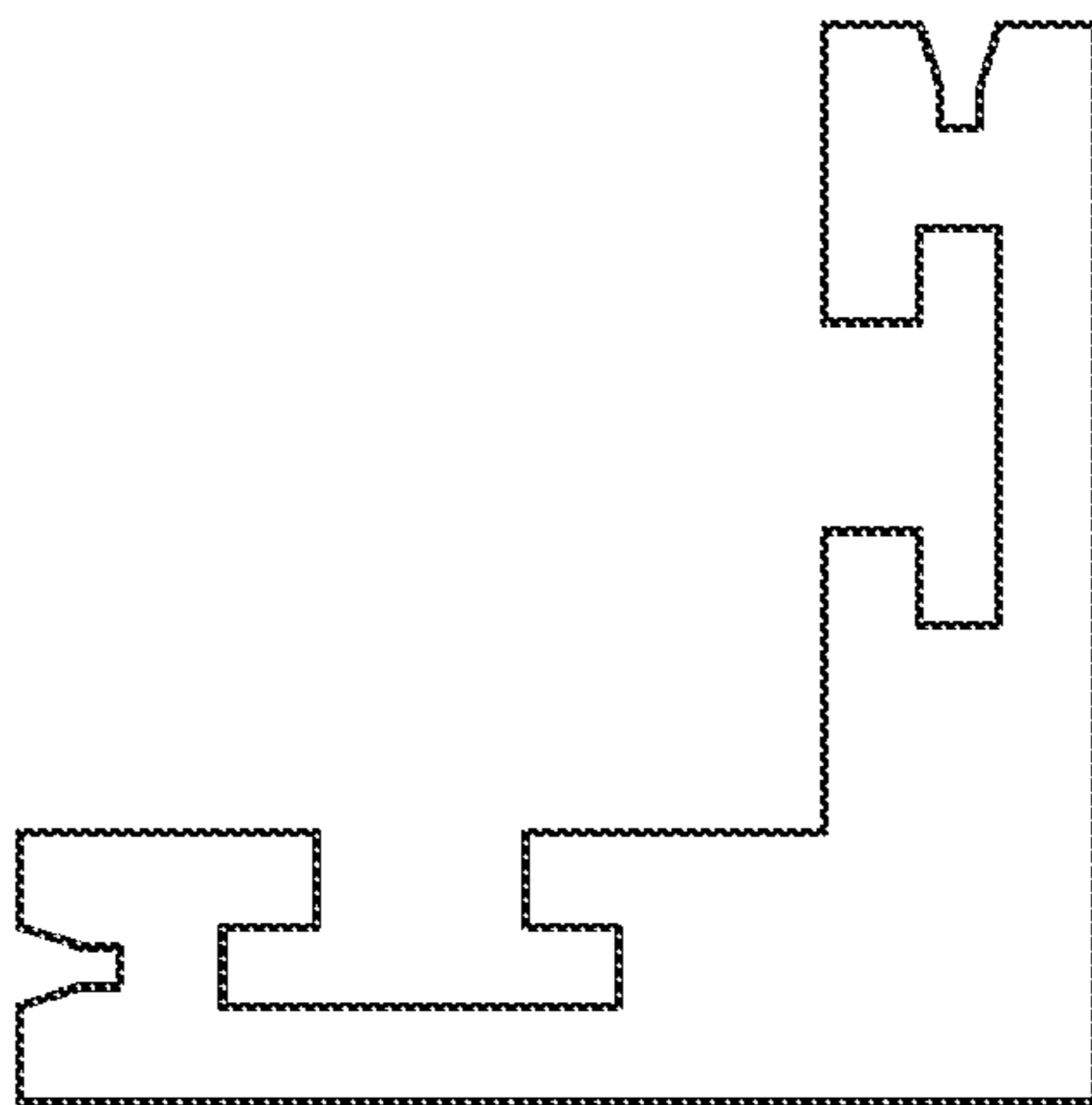


FIG. 6

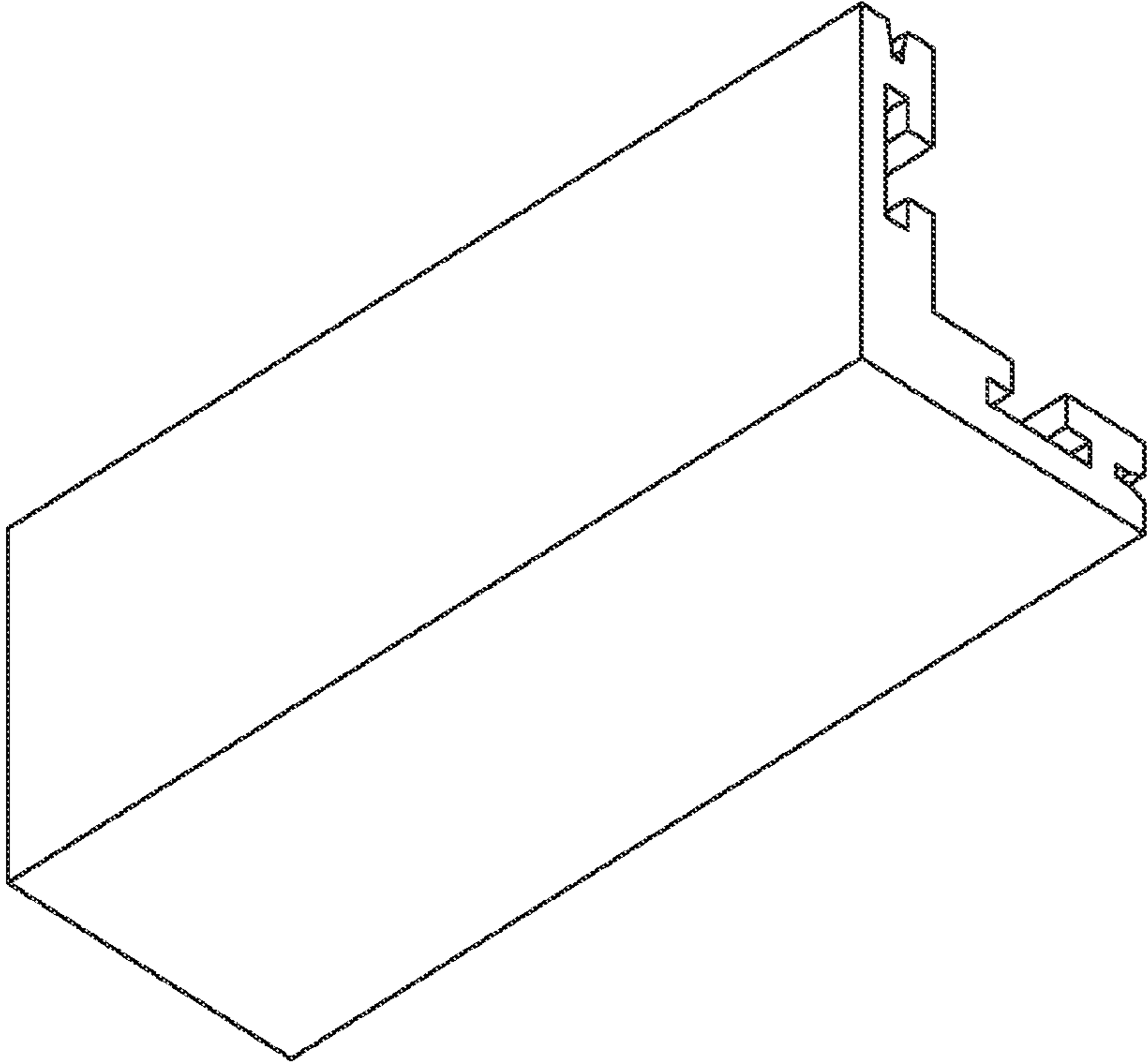


FIG. 7

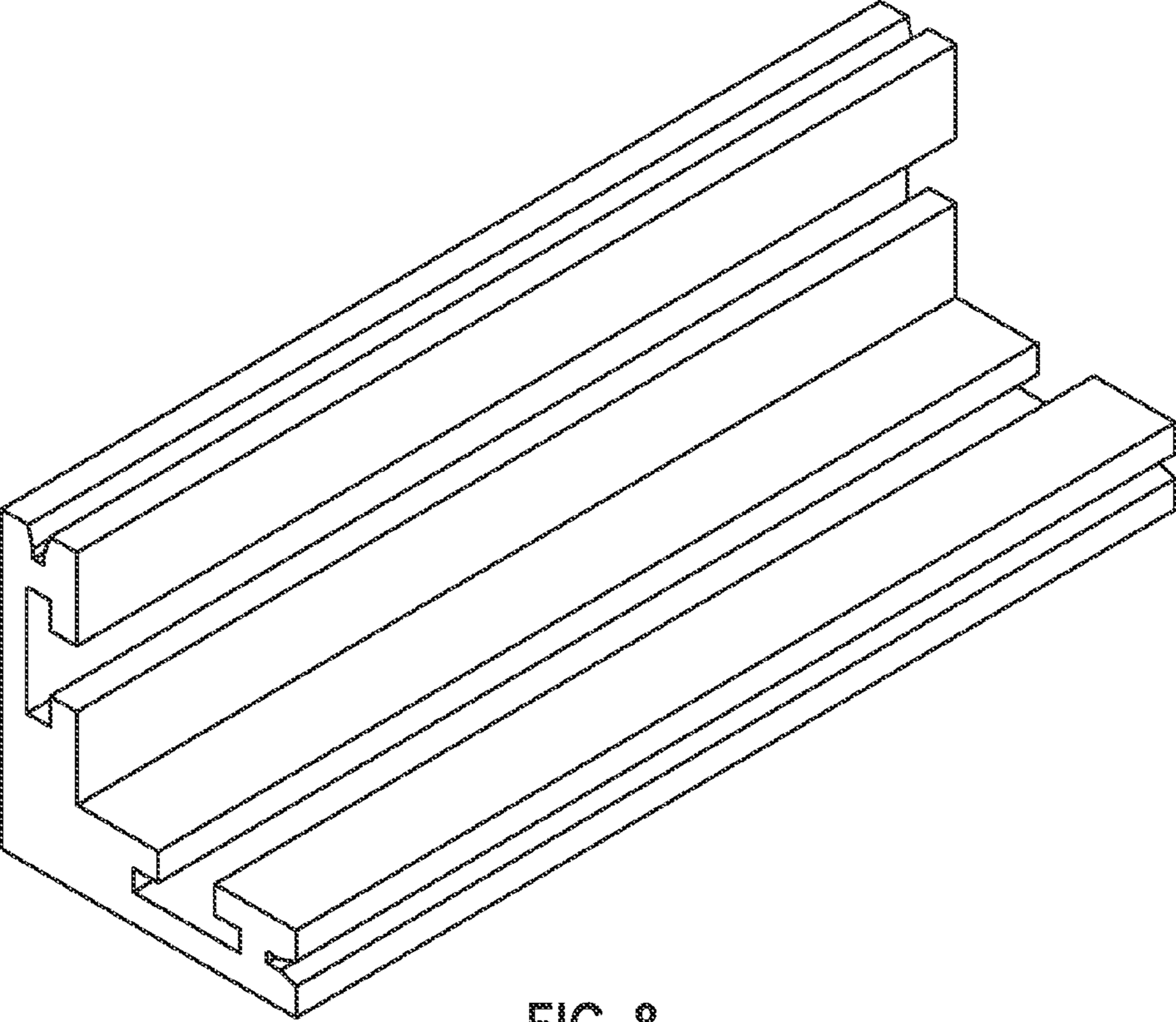


FIG. 8