



US00D661523S

(12) **United States Design Patent**
Wu

(10) **Patent No.:** **US D661,523 S**
(45) **Date of Patent:** **** Jun. 12, 2012**

(54) **CHAIR HEADREST**

(76) Inventor: **Yao-Chuan Wu**, Chiayi Hsien (TW)

(**) Term: **14 Years**

(21) Appl. No.: **29/380,498**

(22) Filed: **Dec. 7, 2010**

(51) **LOC (9) Cl.** **06-01**

(52) **U.S. Cl.** **D6/501**

(58) **Field of Classification Search** D6/334-336,
D6/356, 364, 365, 366, 367, 500, 501, 502;
248/118; 297/391, 394, 396, 397, 405, 410,
297/452.13, 452.3, 452.56

See application file for complete search history.

(56) **References Cited**

U.S. PATENT DOCUMENTS

D507,910 S *	8/2005	Bock	D6/501
D541,062 S *	4/2007	Su	D6/366
D545,582 S *	7/2007	Wu	D6/366
D548,994 S *	8/2007	Mao et al.	D6/366
D549,473 S *	8/2007	Wagner	D6/366
D549,474 S *	8/2007	Wagner	D6/366
D552,857 S *	10/2007	Wang	D6/366
D568,624 S *	5/2008	Wen	D6/366

D585,675 S *	2/2009	Zhang	D6/501
D610,822 S *	3/2010	Chen	D6/366
D638,635 S *	5/2011	Sander et al.	D6/366
D641,572 S *	7/2011	Tsai	D6/502

* cited by examiner

Primary Examiner — Mimoso De

(74) *Attorney, Agent, or Firm* — Alan Kamrath; Kamrath IP Lawfirm, PA

(57) **CLAIM**

The ornamental design for a chair headrest, as shown and described.

DESCRIPTION

FIG. 1 is a perspective view of a chair headrest showing my design;

FIG. 2 is a front elevational view thereof;

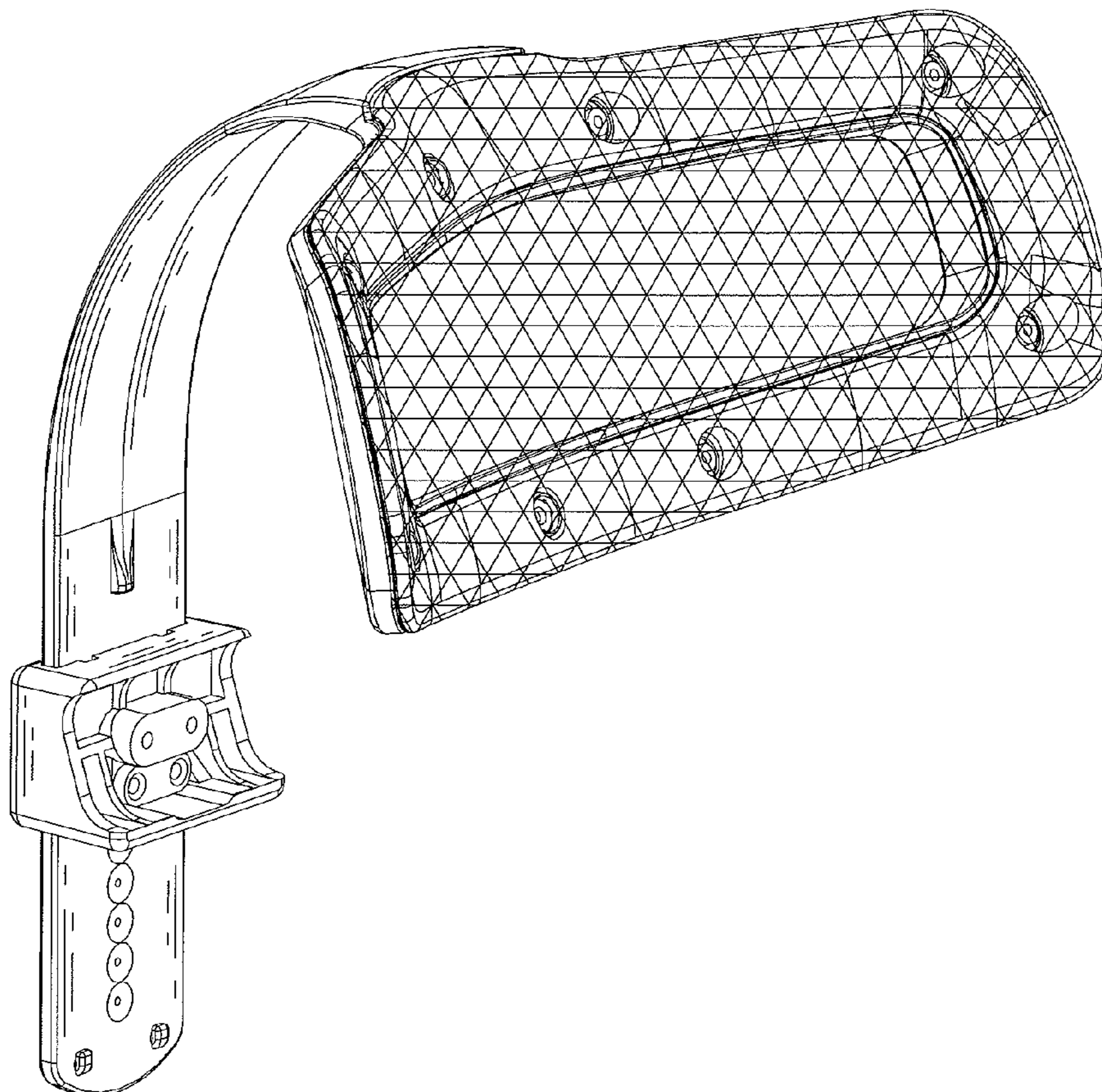
FIG. 3 is a rear elevational view thereof;

FIG. 4 is a right side elevational view thereof, the left being a mirror image thereof;

FIG. 5 is a top plan view thereof; and,

FIG. 6 is a bottom plan view thereof.

1 Claim, 6 Drawing Sheets



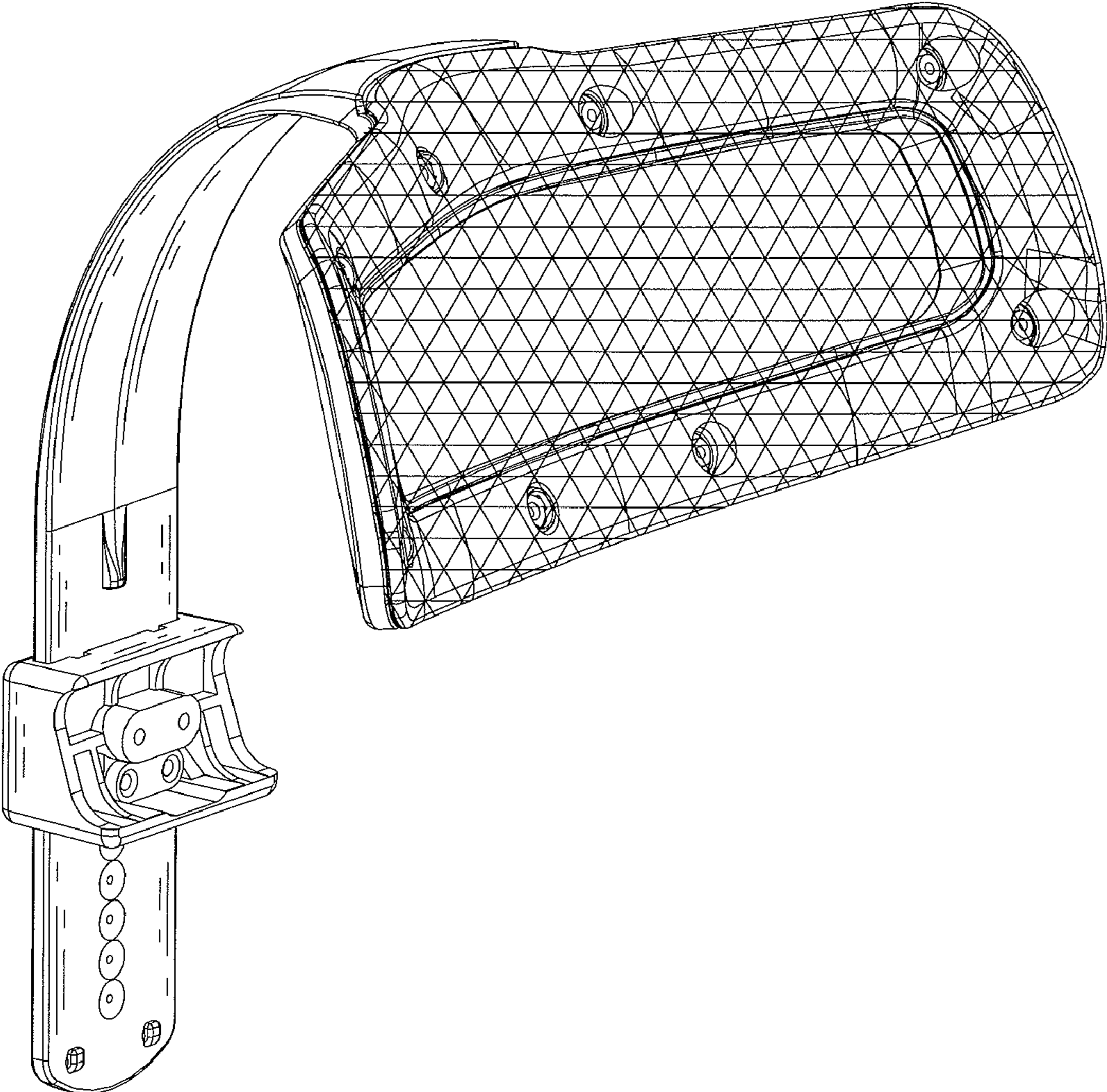


FIG. 1

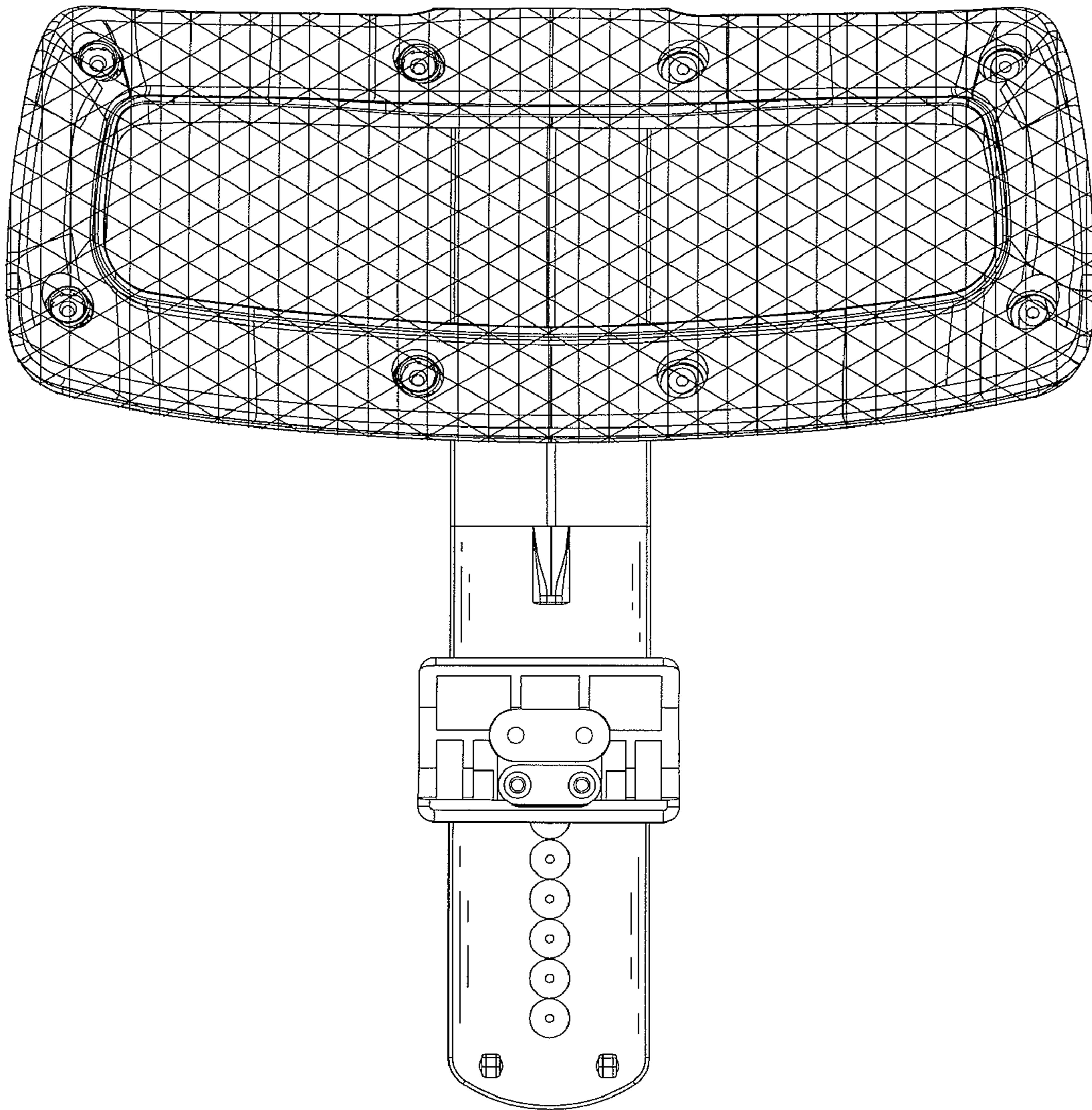


FIG. 2

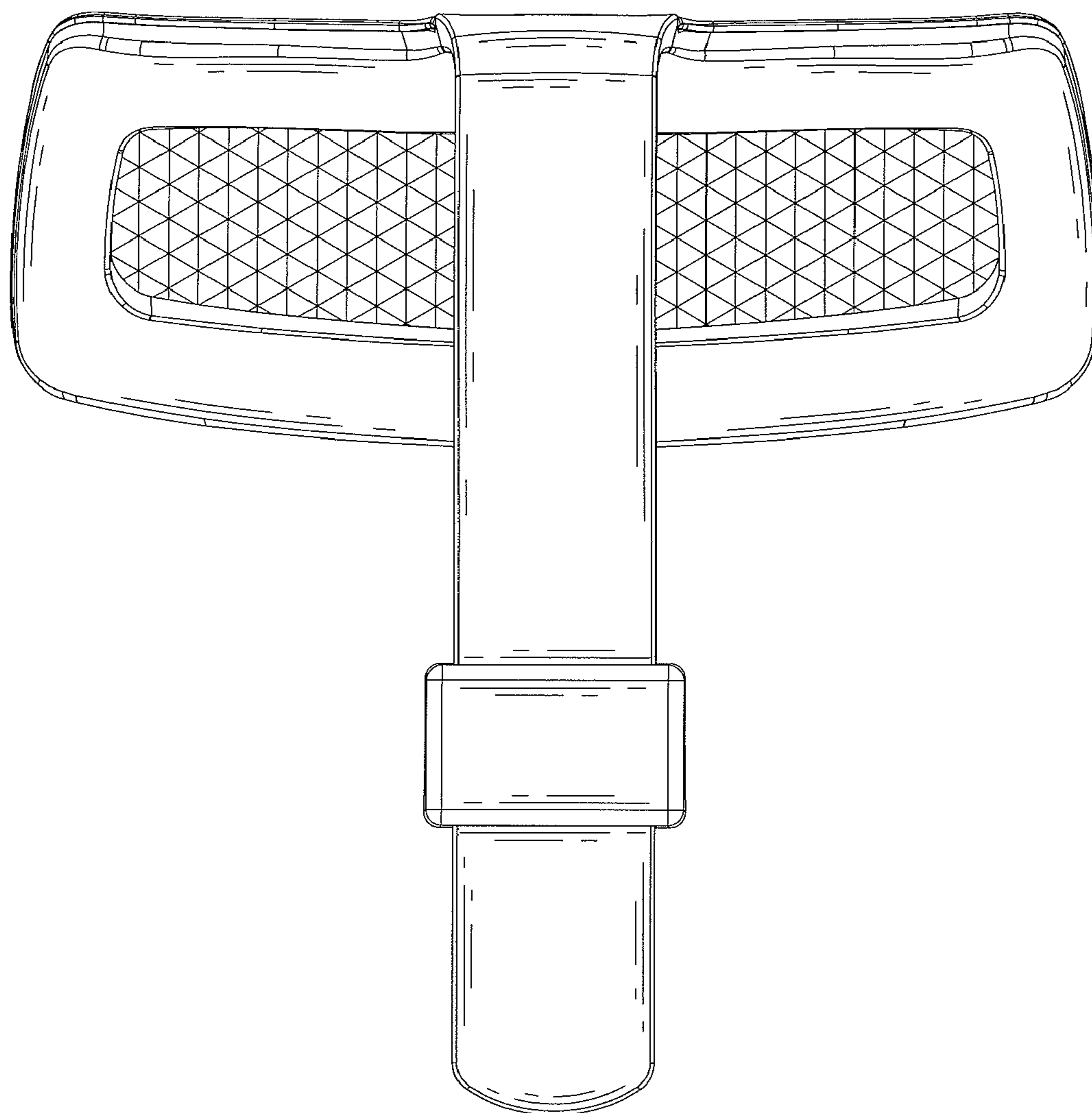


FIG. 3

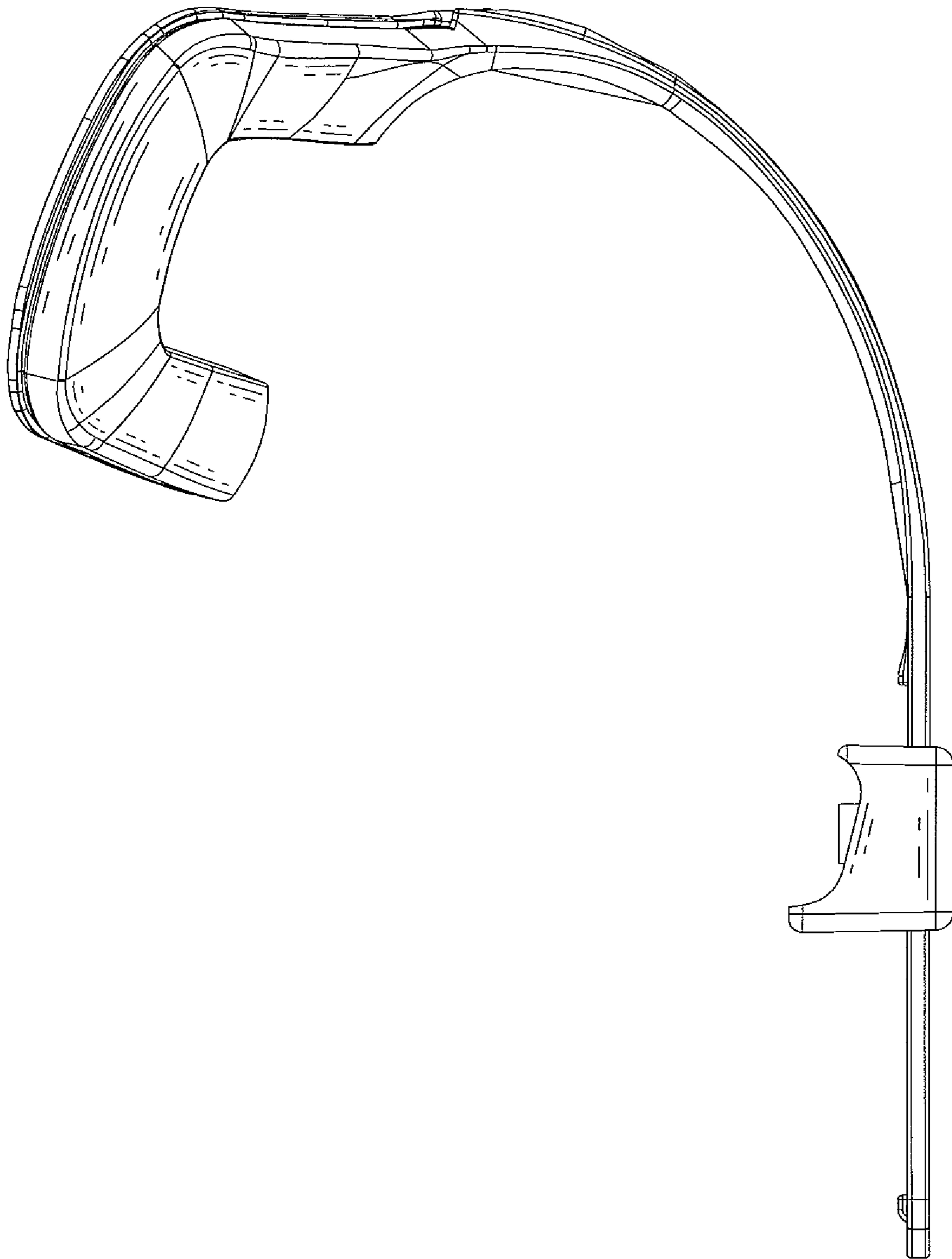


FIG. 4

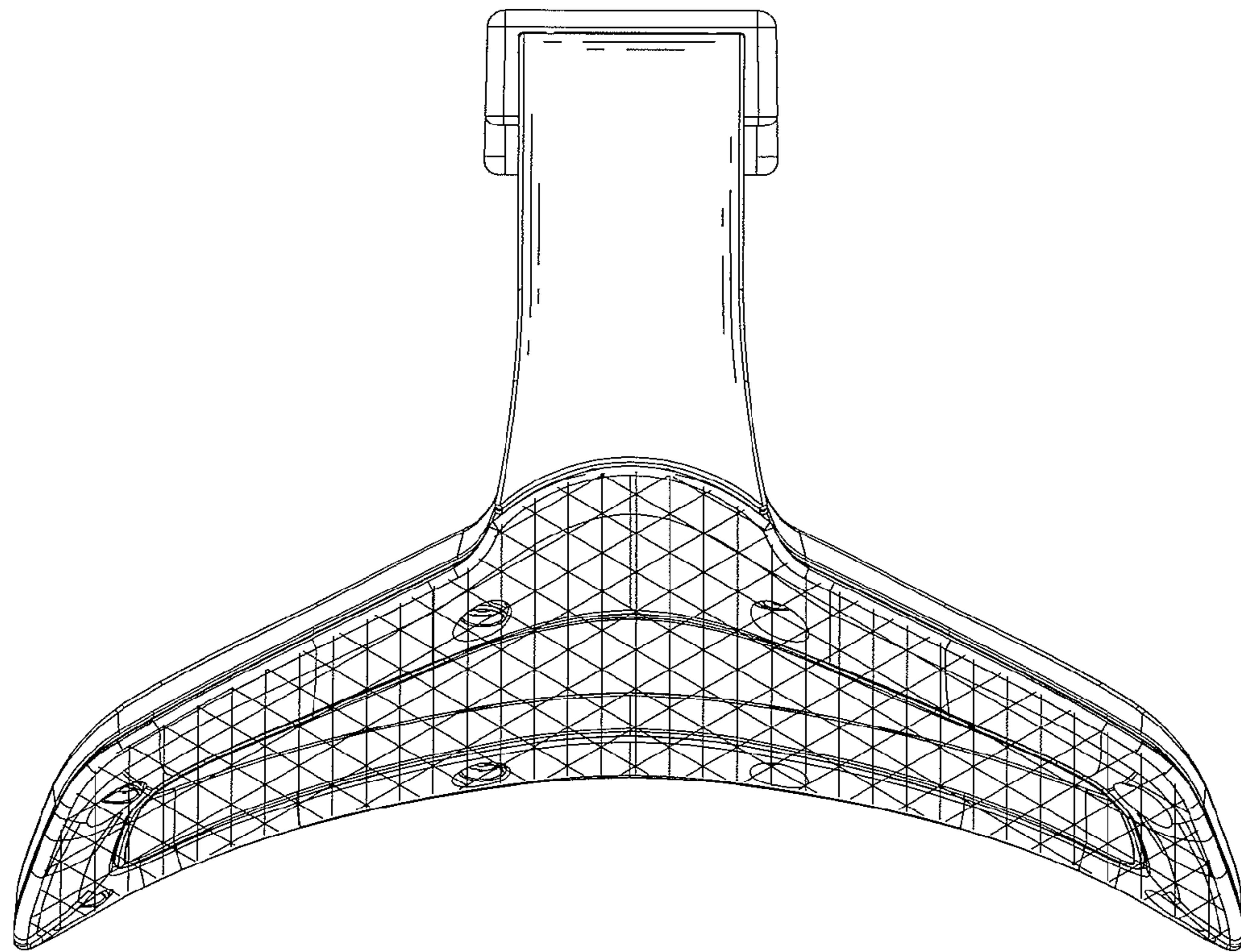


FIG. 5

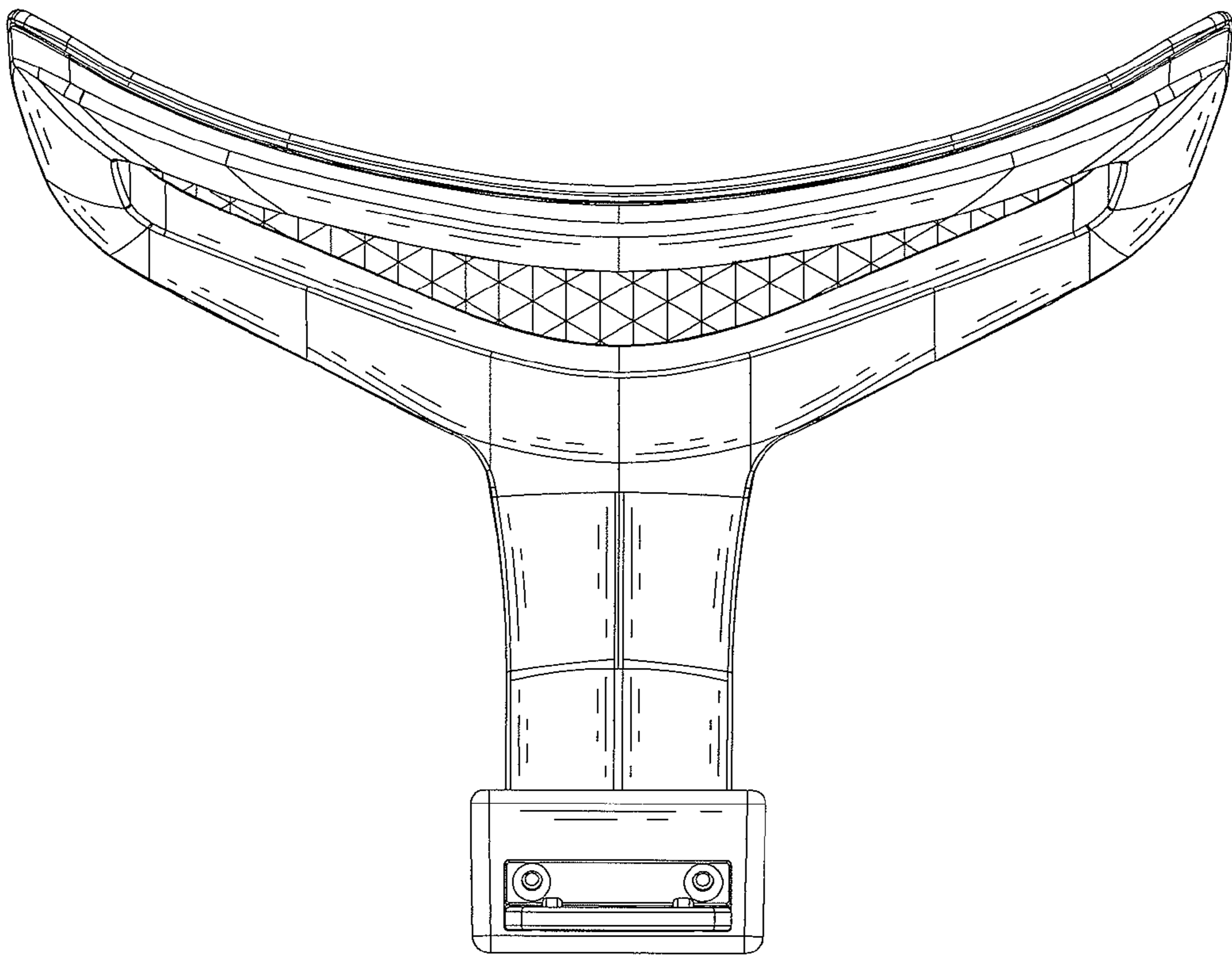


FIG. 6