

US00D661518S

(12) **United States Design Patent**  
**Shi**

(10) **Patent No.:** **US D661,518 S**  
(45) **Date of Patent:** **\*\* Jun. 12, 2012**

(54) **TABLE**

(76) Inventor: **Xiaoxi Shi**, Woodland Hills, CA (US)

(\*\*) Term: **14 Years**

(21) Appl. No.: **29/374,925**

(22) Filed: **Oct. 25, 2011**

(51) **LOC (9) Cl.** ..... **06-03**

(52) **U.S. Cl.** ..... **D6/485; D6/482**

(58) **Field of Classification Search** ..... D6/480–489,  
D6/495–499, 450, 451, 429–431, 477; 108/150,  
108/153.1, 155, 156, 157.1, 161; 248/188,  
248/188.1, 188.8

See application file for complete search history.

(56) **References Cited**

**U.S. PATENT DOCUMENTS**

D253,624 S	*	12/1979	Browne	.....	D6/483
D336,186 S	*	6/1993	Barrail	.....	D6/487
D578,325 S	*	10/2008	Warriner	.....	D6/495
D609,505 S	*	2/2010	Phookan et al.	.....	D6/485

**OTHER PUBLICATIONS**

Ferrocraft, Cat #65, Apr. 5, 1665, wire pedestal TP 9 at bottom and far right, p. 20.\*

\* cited by examiner

*Primary Examiner* — Janice Seeger

(74) *Attorney, Agent, or Firm* — Law Office of David Hong

(57) **CLAIM**

The ornamental design for a table, as shown and described.

**DESCRIPTION**

FIG. 1 is a perspective view of my table.

FIG. 2 is a top view of the table of FIG. 1.

FIG. 3 is a left side elevation view of the table of FIG. 1; the right side elevation view is a mirror image of the left side elevation view.

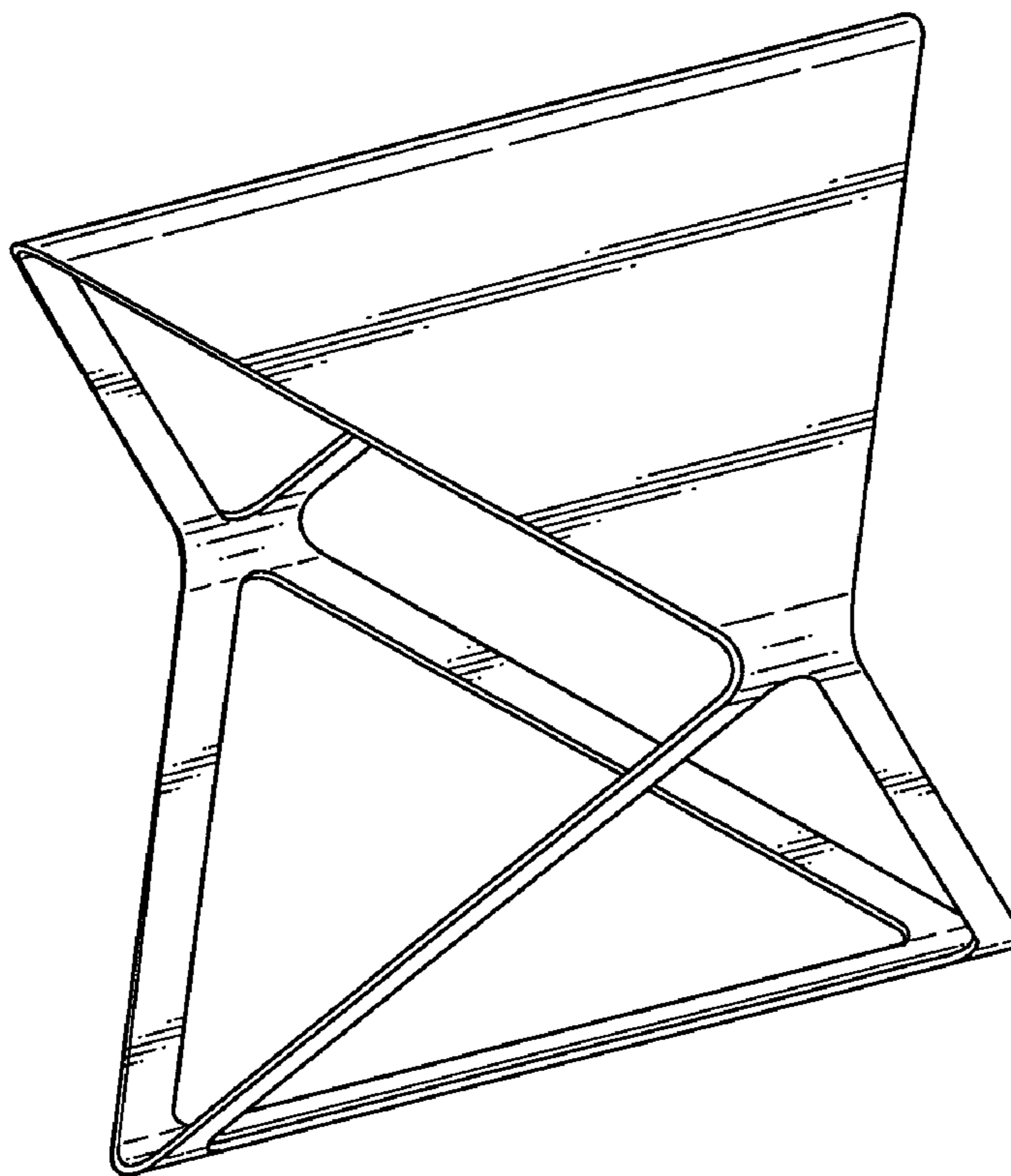
FIG. 4 is a front elevation view of the table of FIG. 1.

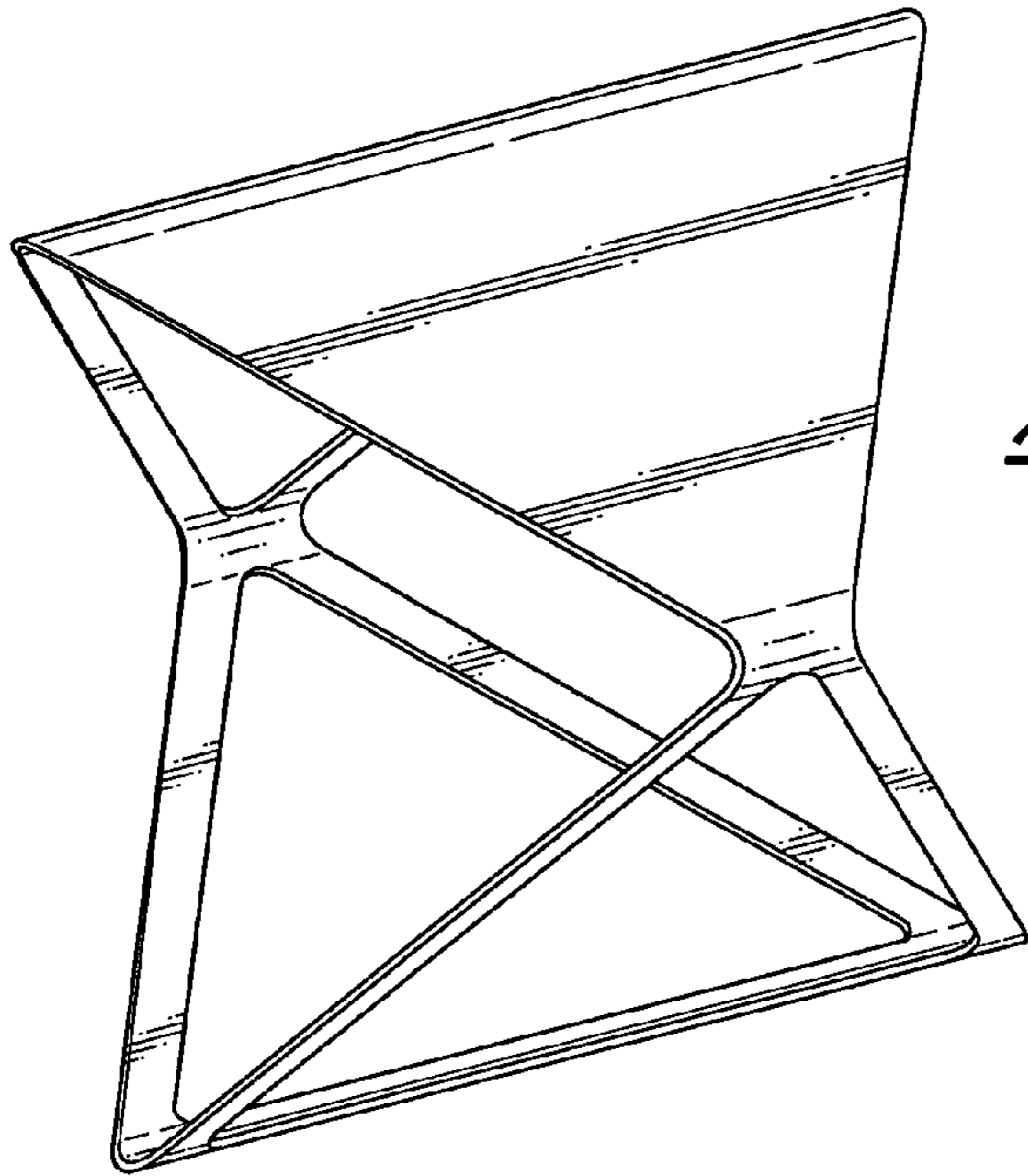
FIG. 5 is a rear elevation view of the table of FIG. 1; and,

FIG. 6 is a bottom view of the table of FIG. 1.

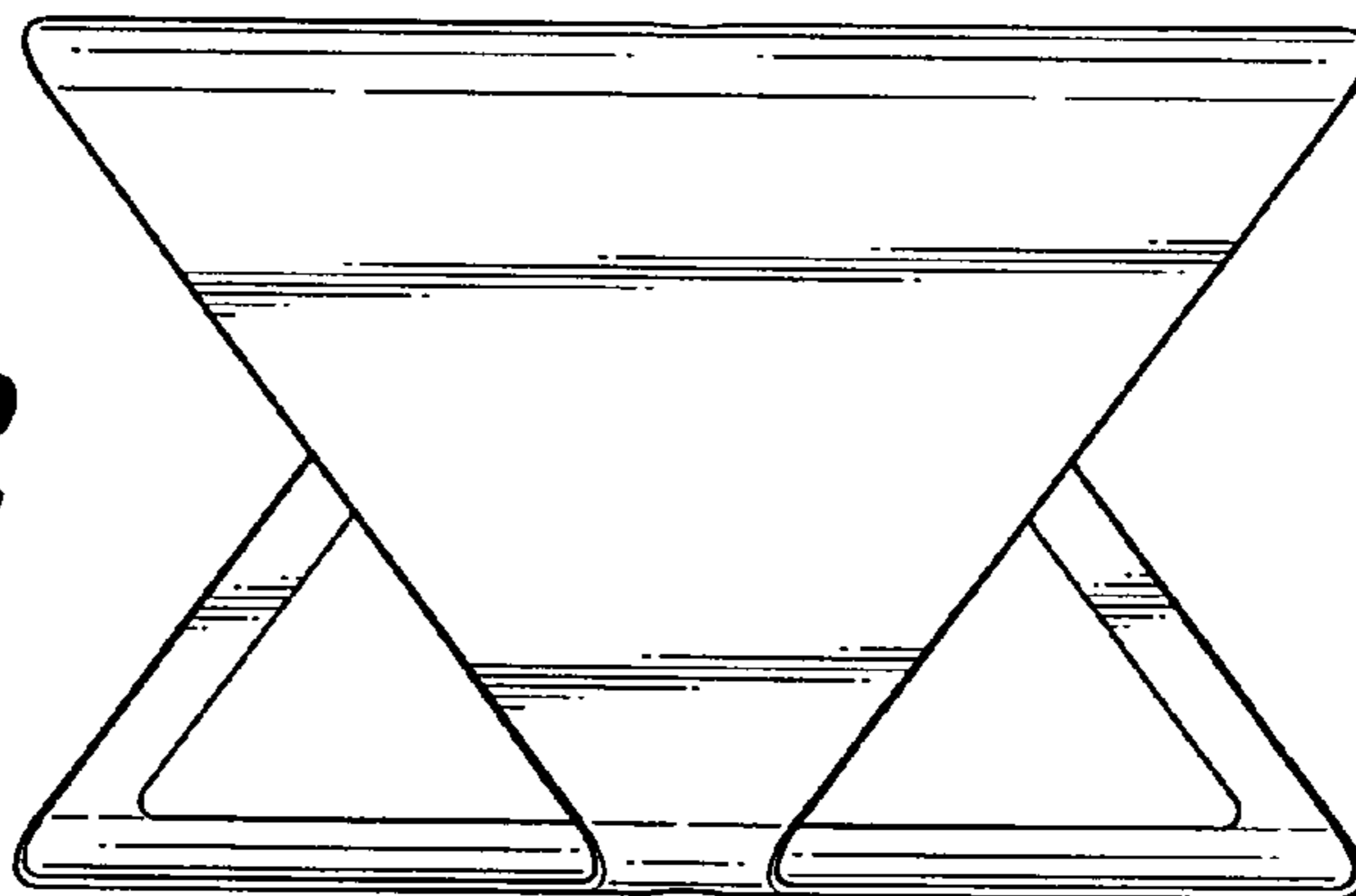
In FIG. 1-6, the broken lines are included for the purpose of illustrating environment and form no part of the claimed design.

**1 Claim, 2 Drawing Sheets**

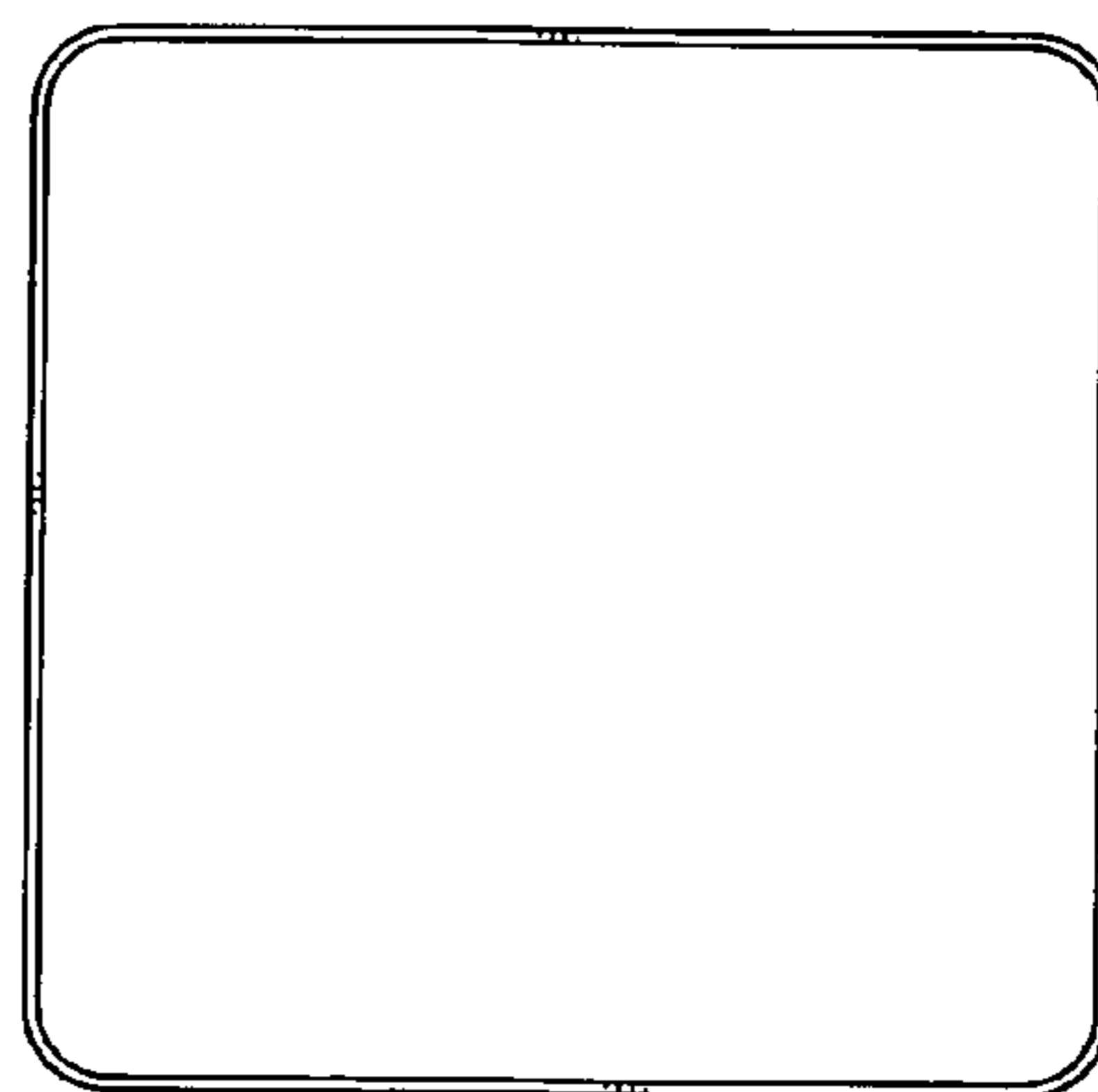




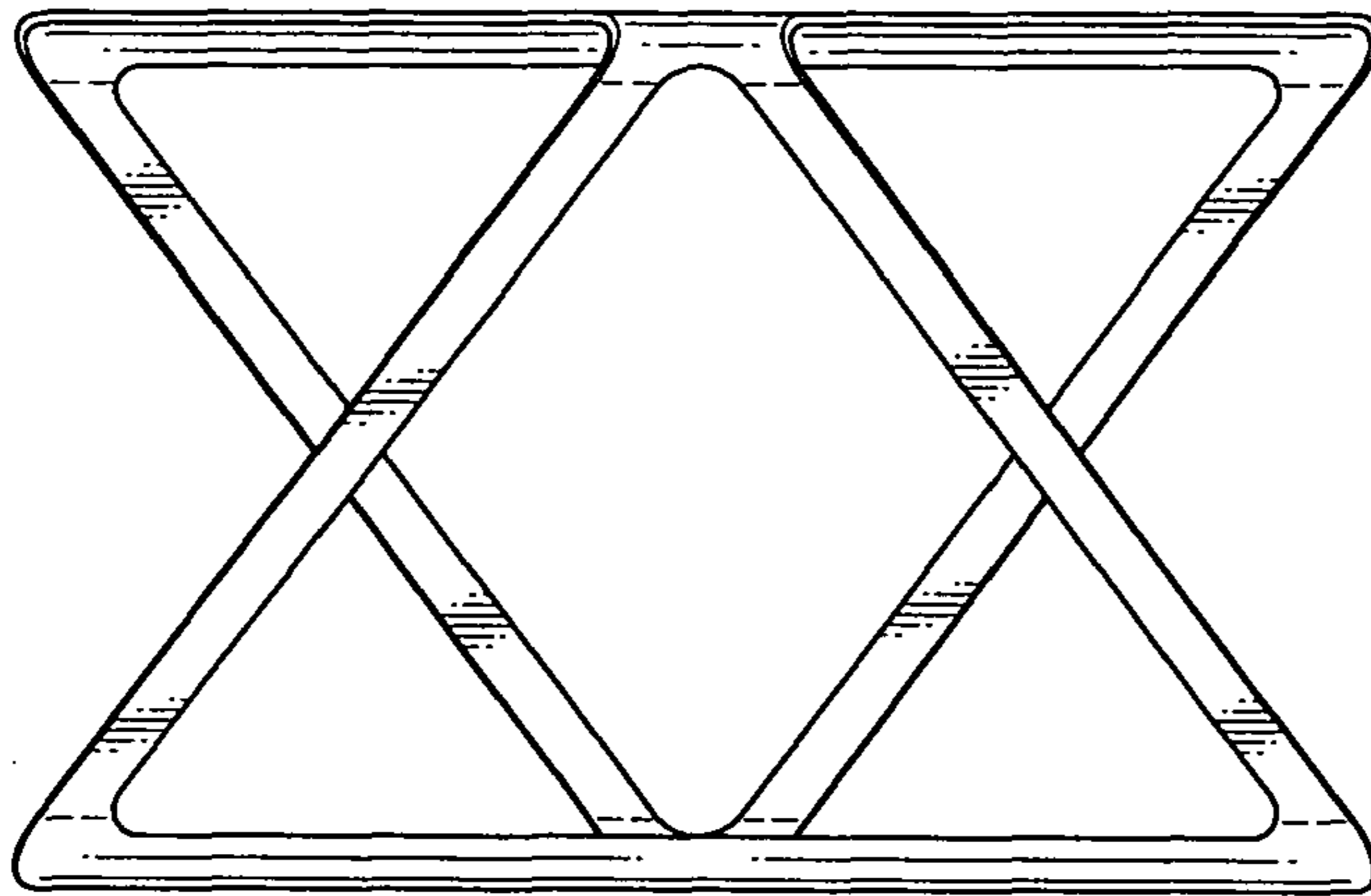
*FIG. 1*



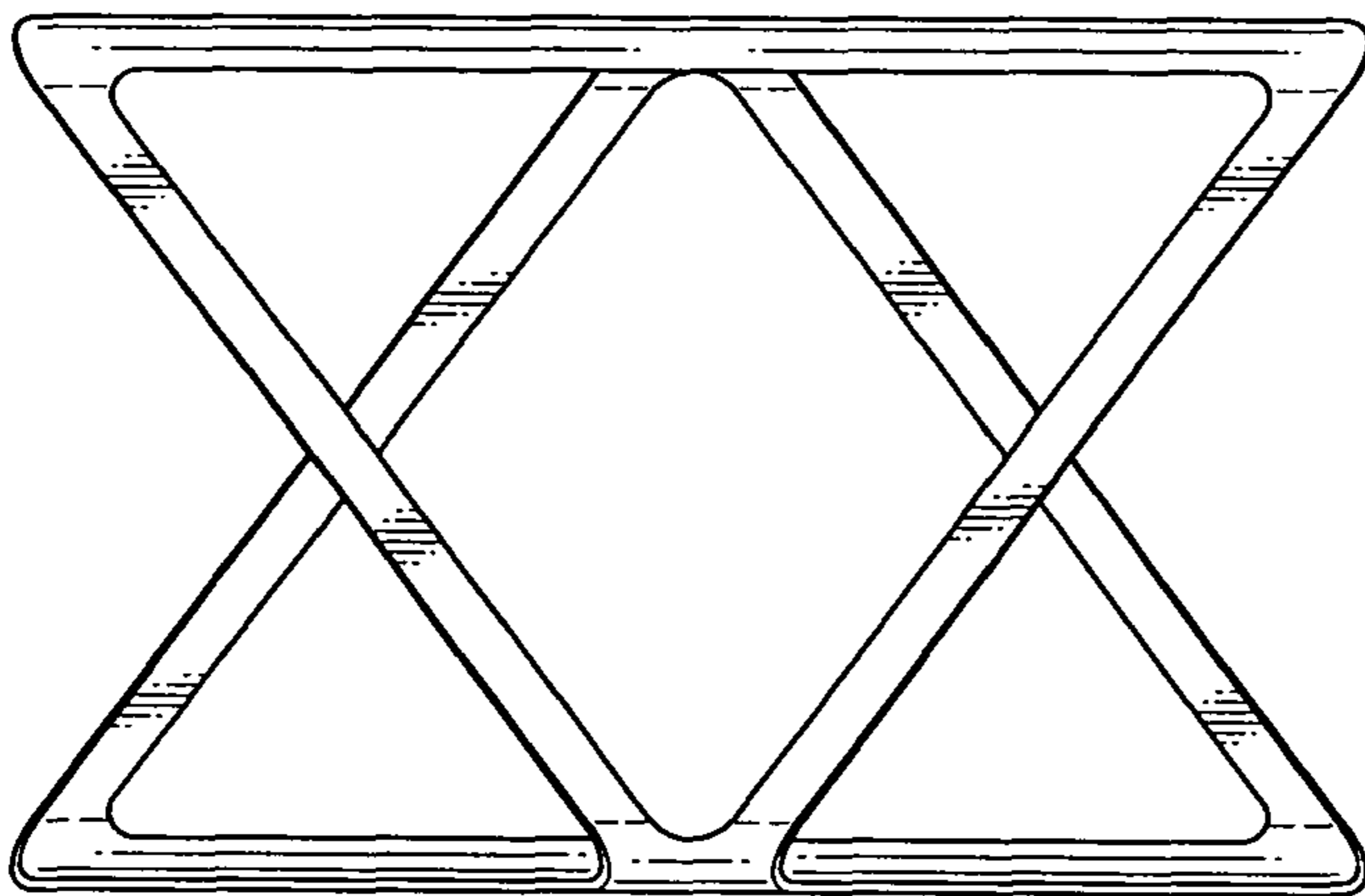
*FIG. 2*



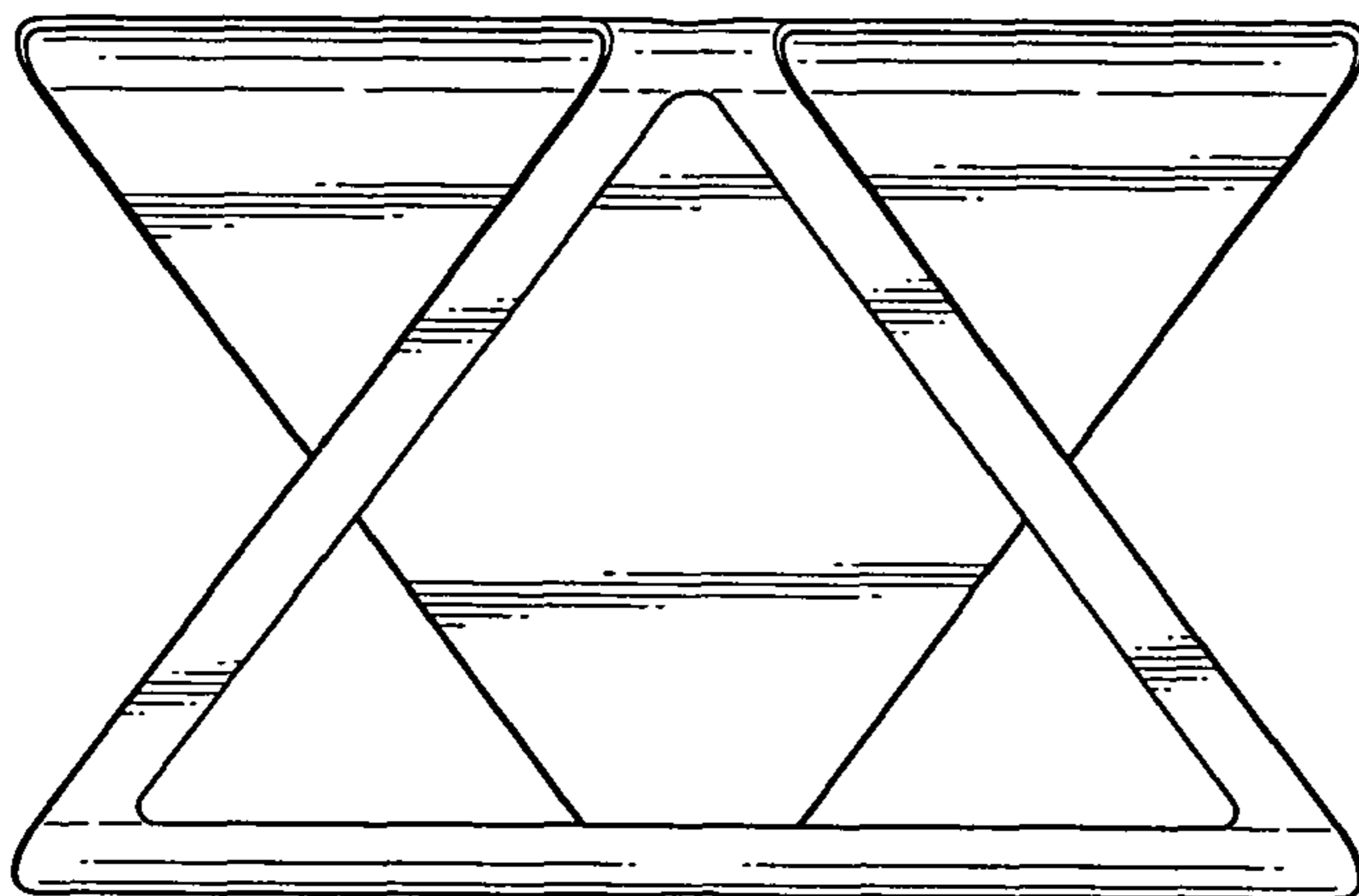
*FIG. 3*



*FIG. 4*



*FIG. 5*



*FIG. 6*