



US00D661515S

(12) **United States Design Patent**  
**Poost et al.**

(10) **Patent No.:** **US D661,515 S**  
(45) **Date of Patent:** **\*\* Jun. 12, 2012**

(54) **TABLE**

D615,779 S 5/2010 Hernandez et al.  
D618,473 S 6/2010 Hernandez et al.  
D642,827 S \* 8/2011 Poost et al. .... D6/480

(76) Inventors: **Michael Poost**, West Sand Lake, NY (US); **Alejandro A. Stivala**, Niskayuna, NY (US); **John Adams**, Saratoga Springs, NY (US)

(\*\*) Term: **14 Years**

(21) Appl. No.: **29/398,847**

(22) Filed: **Aug. 5, 2011**

**Related U.S. Application Data**

(63) Continuation of application No. 29/355,229, filed on Feb. 4, 2010, now Pat. No. Des. 642,827.

(51) **LOC (9) Cl.** ..... **06-03**

(52) **U.S. Cl.** ..... **D6/480**

(58) **Field of Classification Search** ..... D6/480-489, D6/495-499, 429-431, 451; 108/153.1, 108/156, 157.1, 161, 50.01, 50.02, 64, 69, 108/77, 167; 248/188, 188.1, 188.7, 188.8  
See application file for complete search history.

(56) **References Cited**

**U.S. PATENT DOCUMENTS**

2,603,500 A 7/1952 Messier  
D269,753 S 7/1983 Offredi  
D277,056 S 1/1985 Nicholson  
D293,172 S 12/1987 Weiss  
D415,369 S 10/1999 Laney  
6,000,343 A 12/1999 Laney  
D424,325 S 5/2000 Iannaccone

**OTHER PUBLICATIONS**

Lily Lanthier, Canadian Intellectual Property Office, "Application for Registration of an Industrial Design Examiner's Report", Application No. 135890, Dated Aug. 24, 2010, 2 pages.

Lily Lanthier, Canadian Intellectual Property Office, "Application for Registration of an Industrial Design Examiner's Report", Application No. 135890, Dated Jun. 13, 2011, 2 pages.

Janice E. Seeger, U.S. Appl. No. 29/355,229, Date Mailed Apr. 8, 2011, 11 page.

\* cited by examiner

*Primary Examiner* — Janice Seeger

(74) *Attorney, Agent, or Firm* — John W. LaBatt; Hoffman Warnick LLC

(57) **CLAIM**

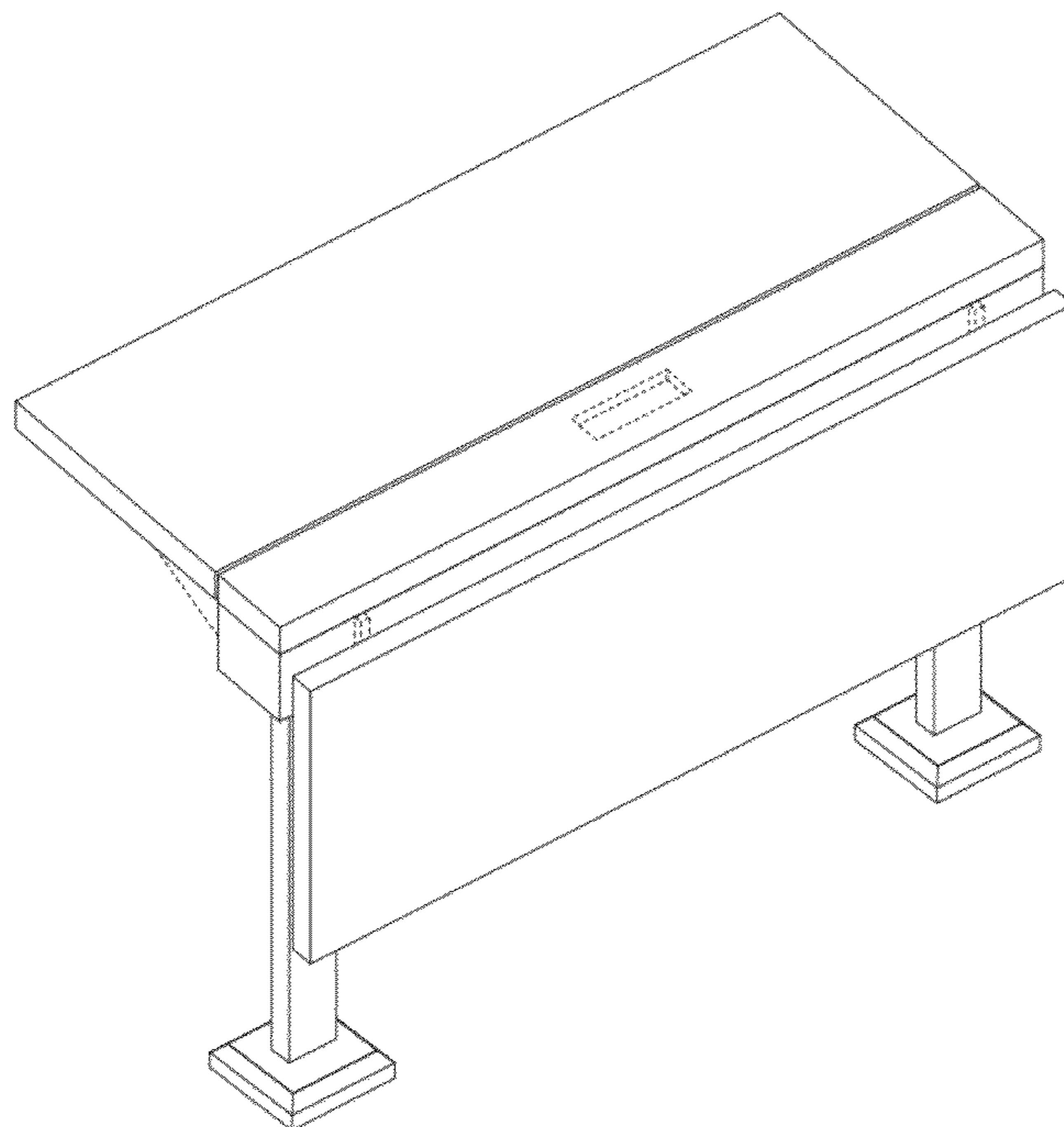
The ornamental design for the table, as shown and described.

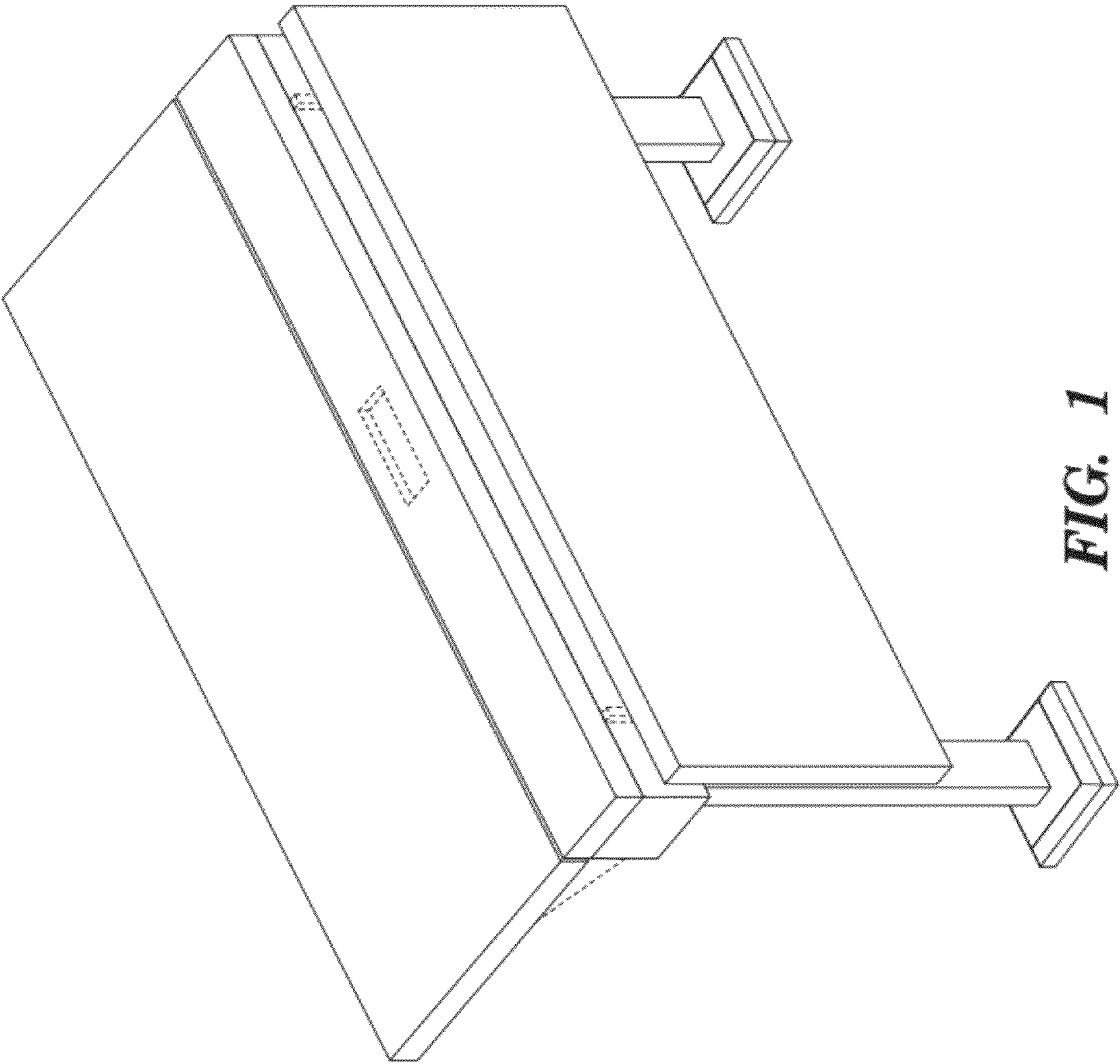
**DESCRIPTION**

FIG. 1 is an isometric view of the table in a first configuration. FIG. 2 is an isometric view of the table in a second configuration.

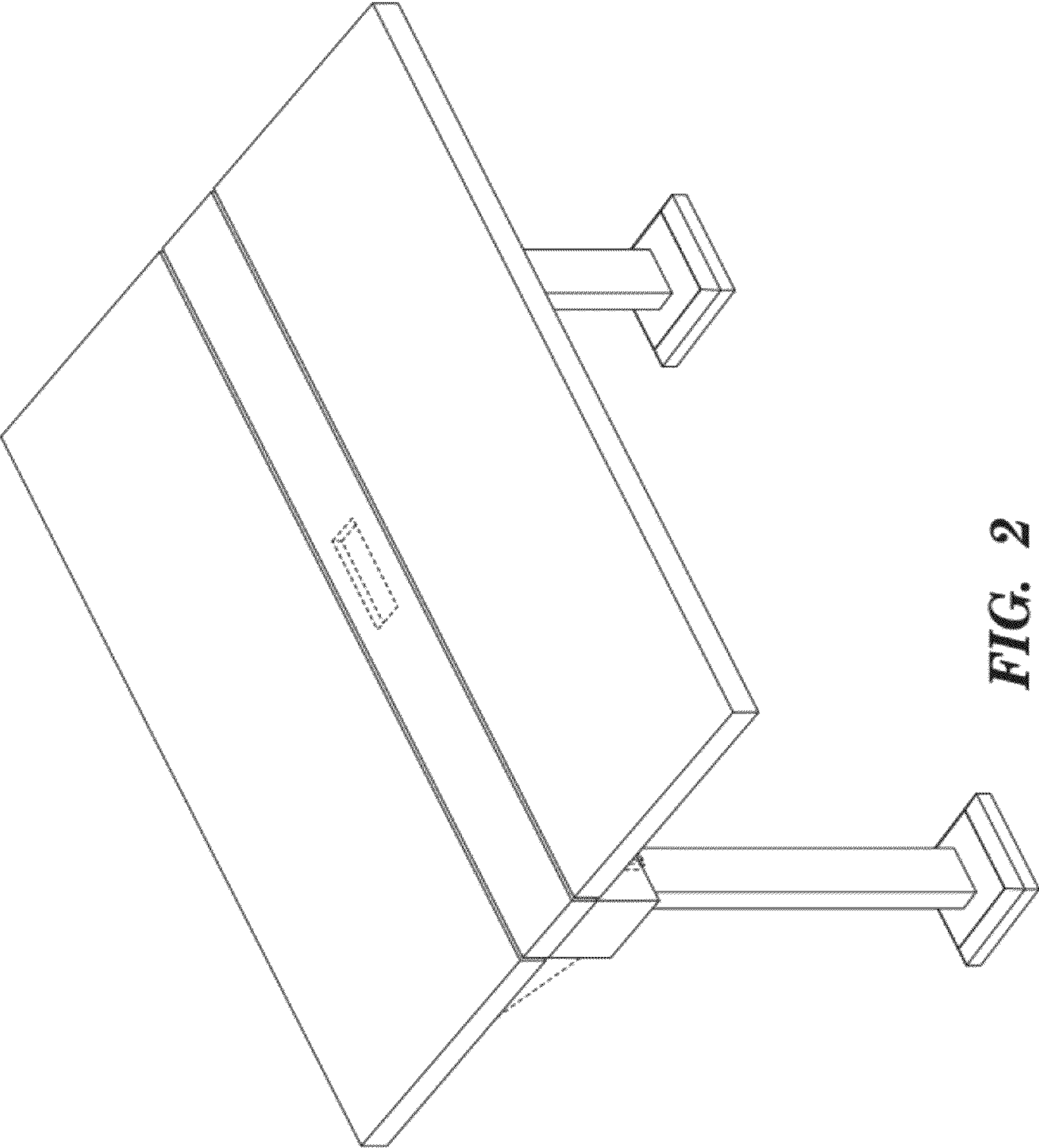
FIG. 3 is a plan view of the table in the first configuration. FIG. 4 is a plan view of the table in the second configuration. FIG. 5 is a front view of the table in the first configuration. FIG. 6 is a front view of the table in the second configuration. FIG. 7 is a side view of the table in the first configuration. FIG. 8 is a side view of the table in the second configuration. FIG. 9 is a rear view of the table in the first configuration; and, FIG. 10 is a rear view of the table in the second configuration. The broken line showings are for illustrative purposes only and form no part of the claimed design.

**1 Claim, 10 Drawing Sheets**

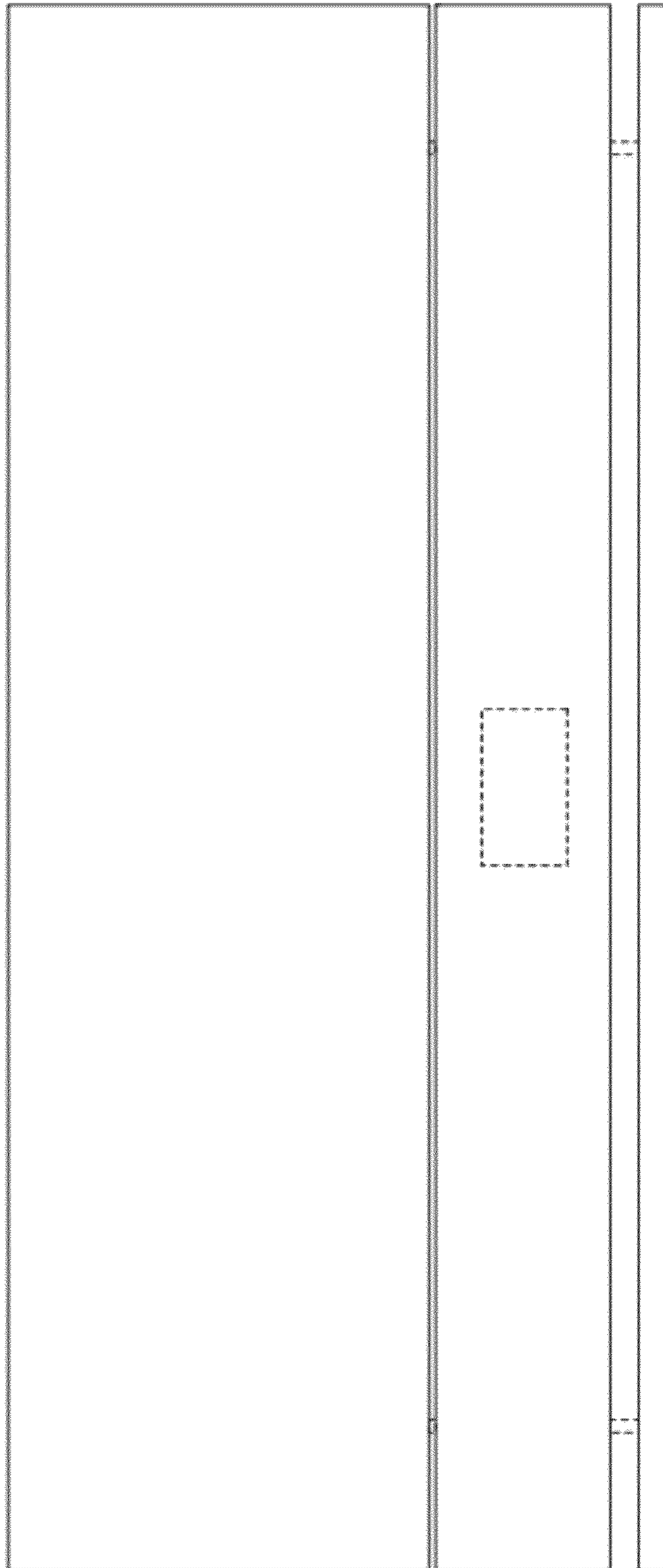




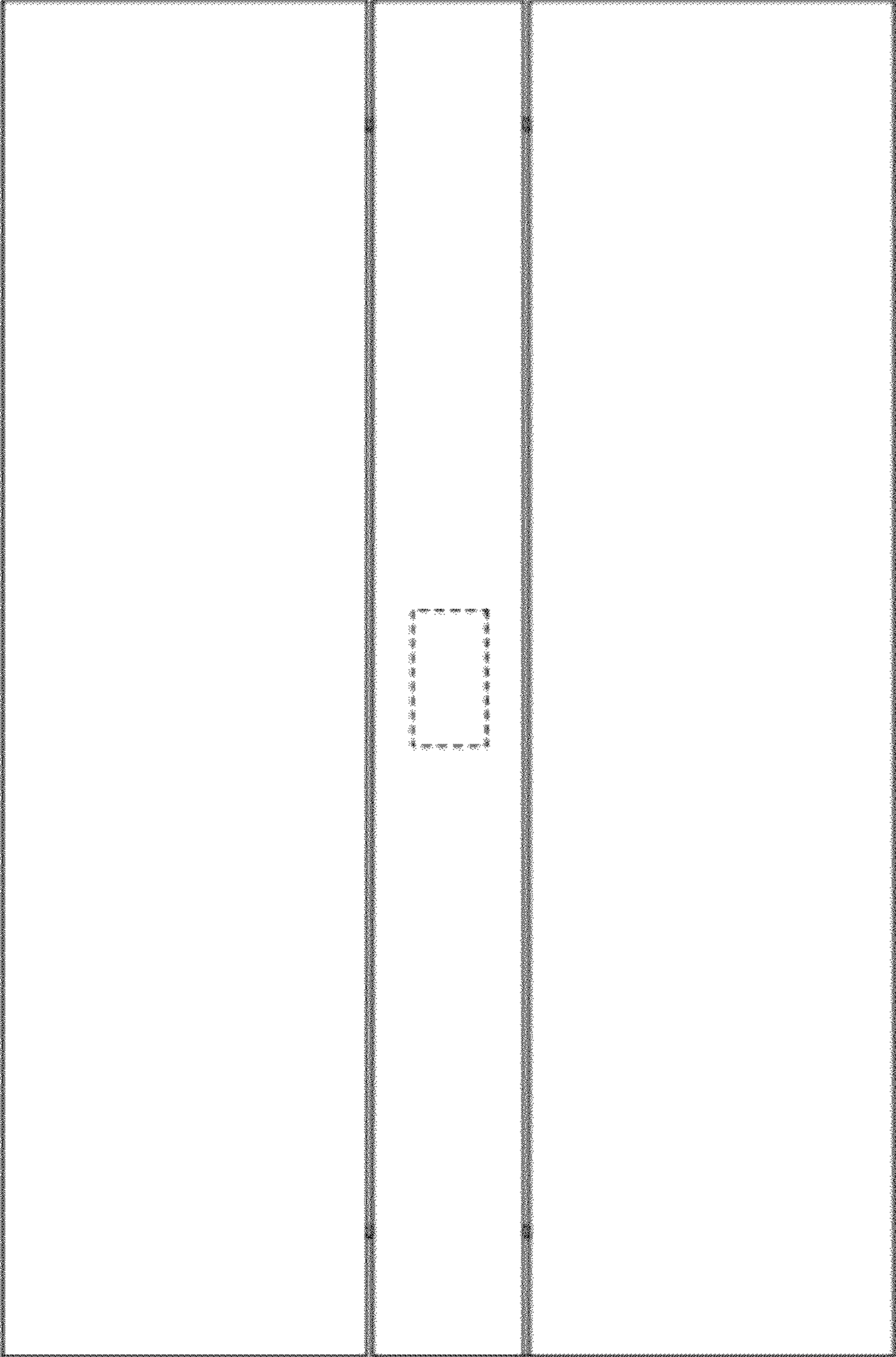
**FIG. 1**



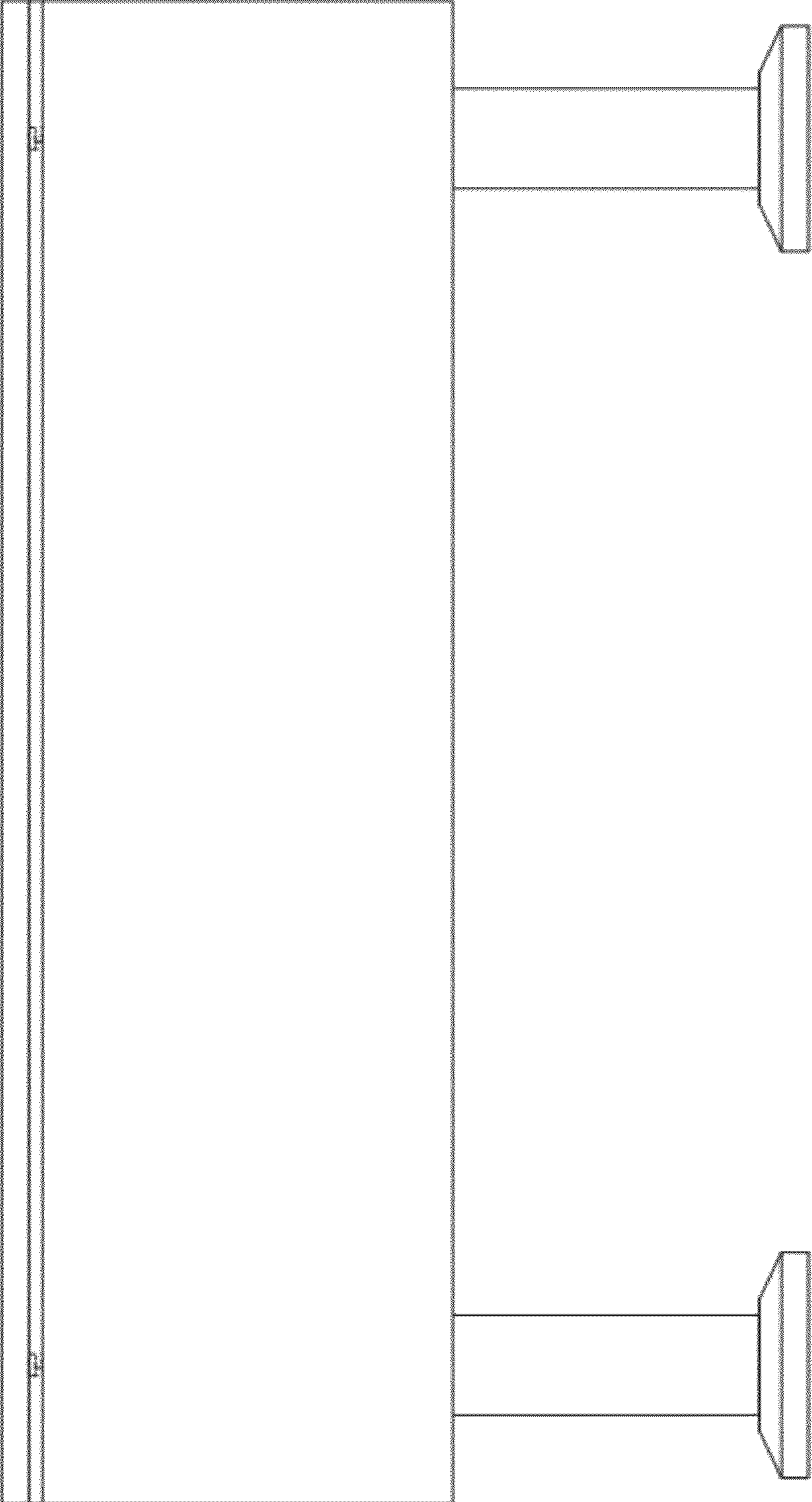
**FIG. 2**



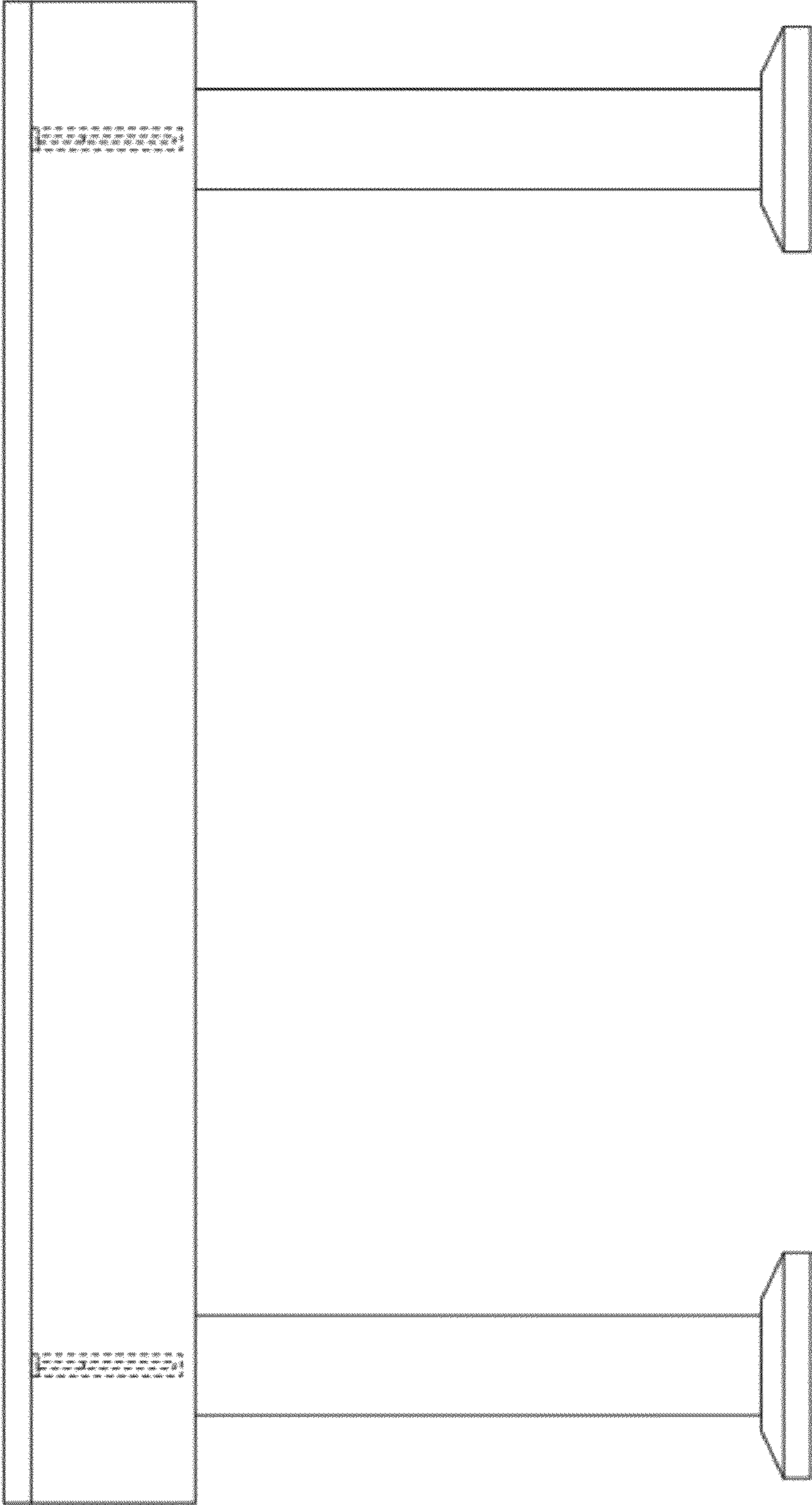
**FIG. 3**



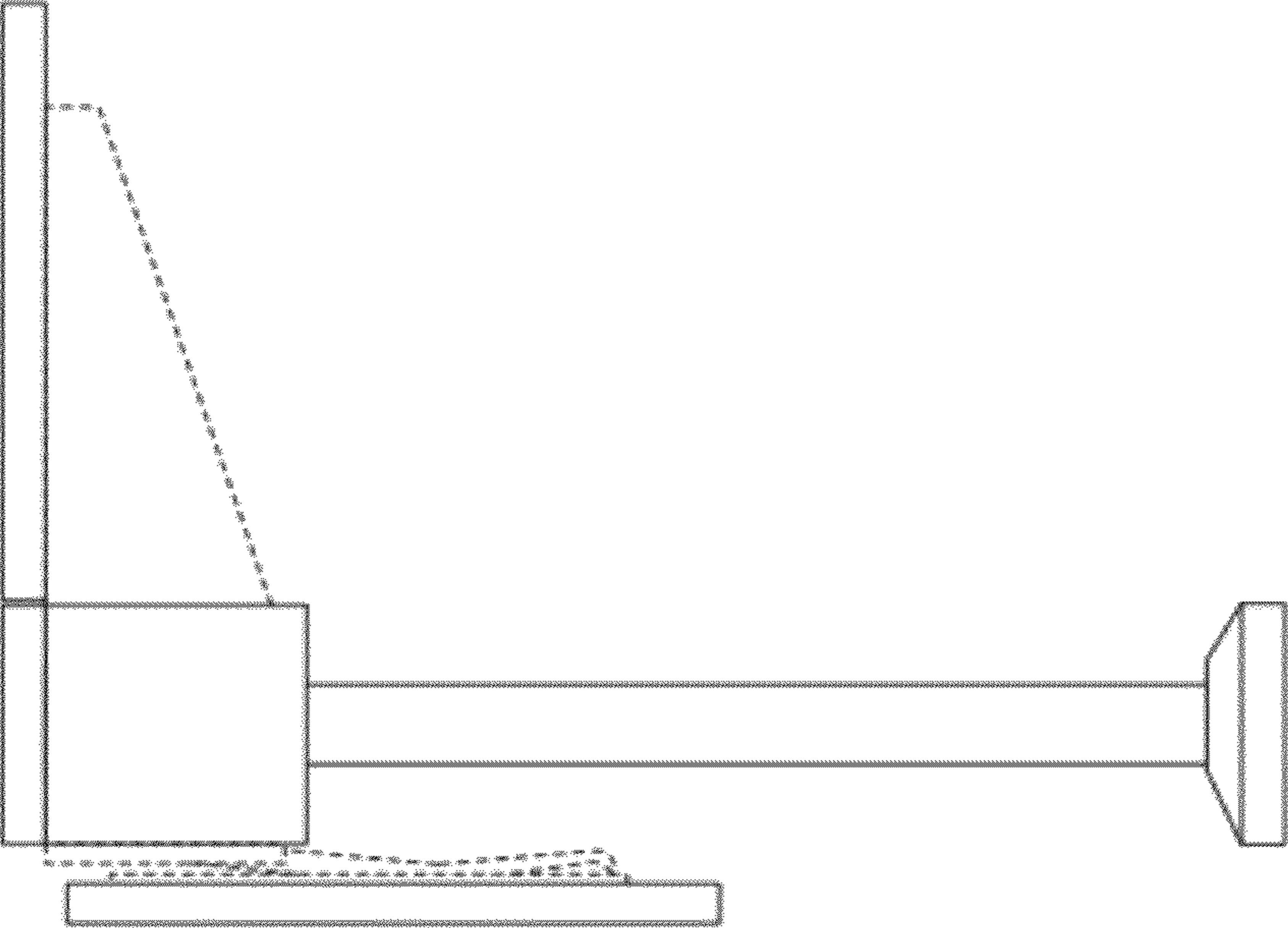
**FIG. 4**



**FIG. 5**

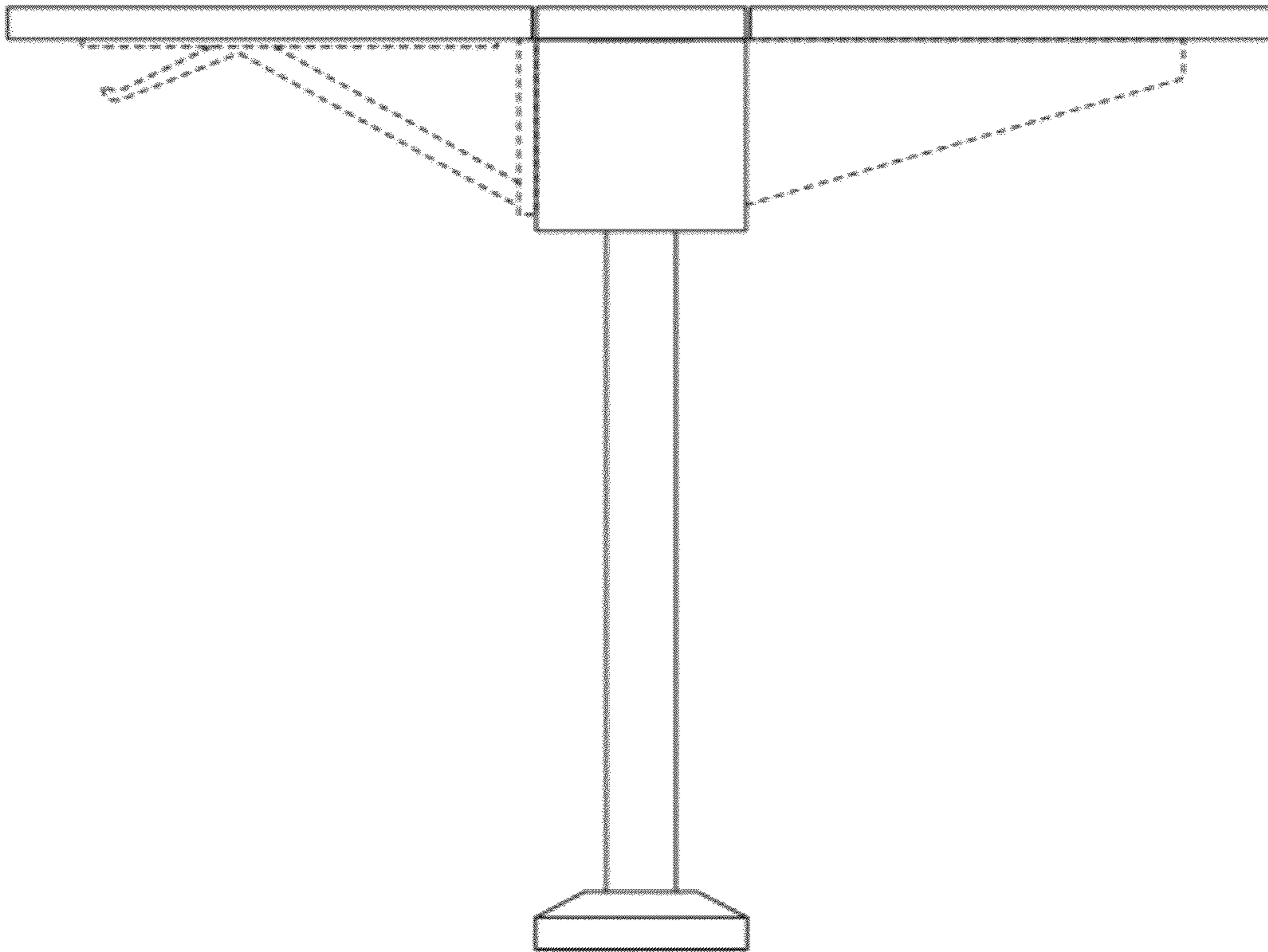


**FIG. 6**

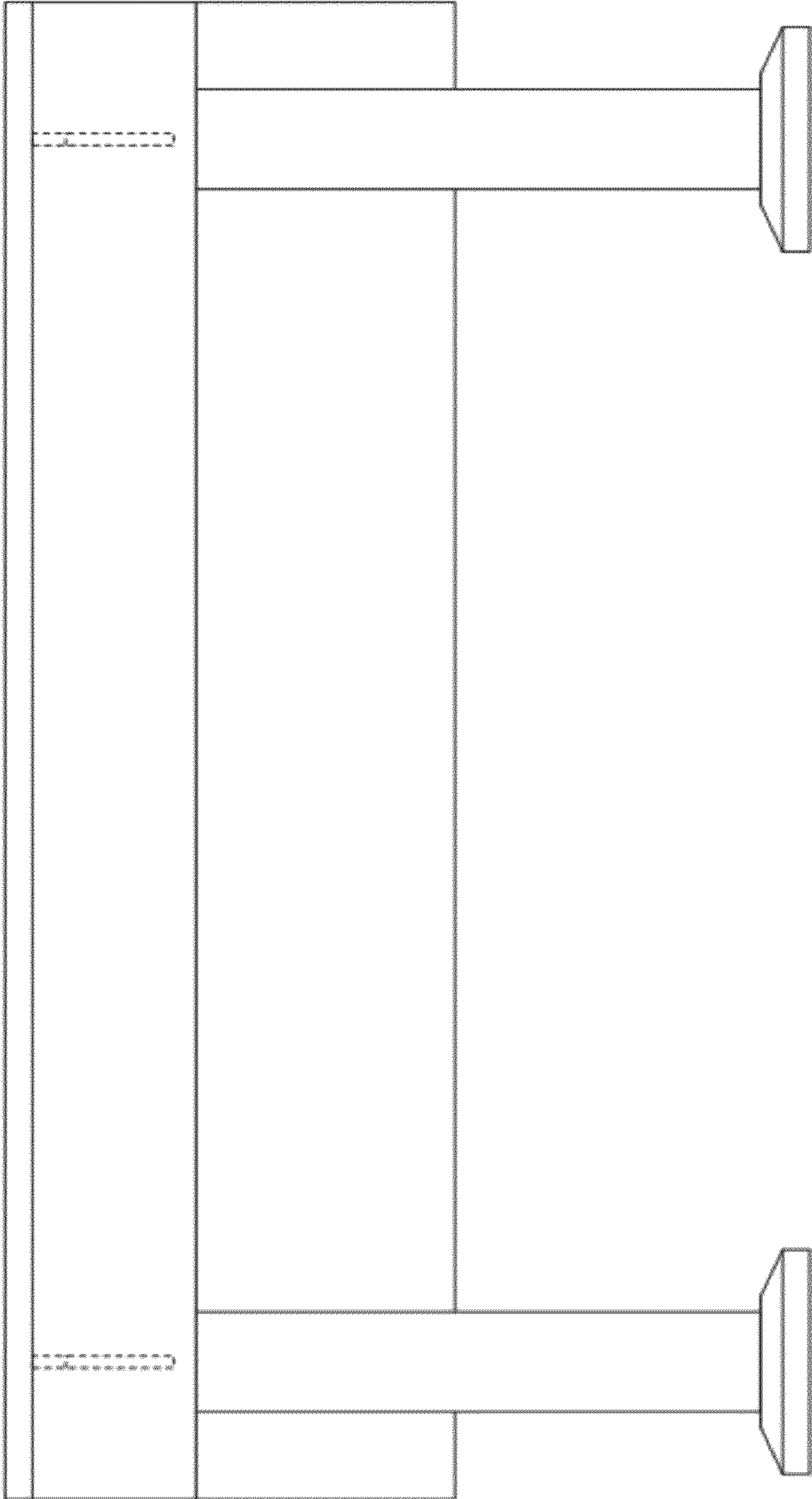


**FIG. 7**

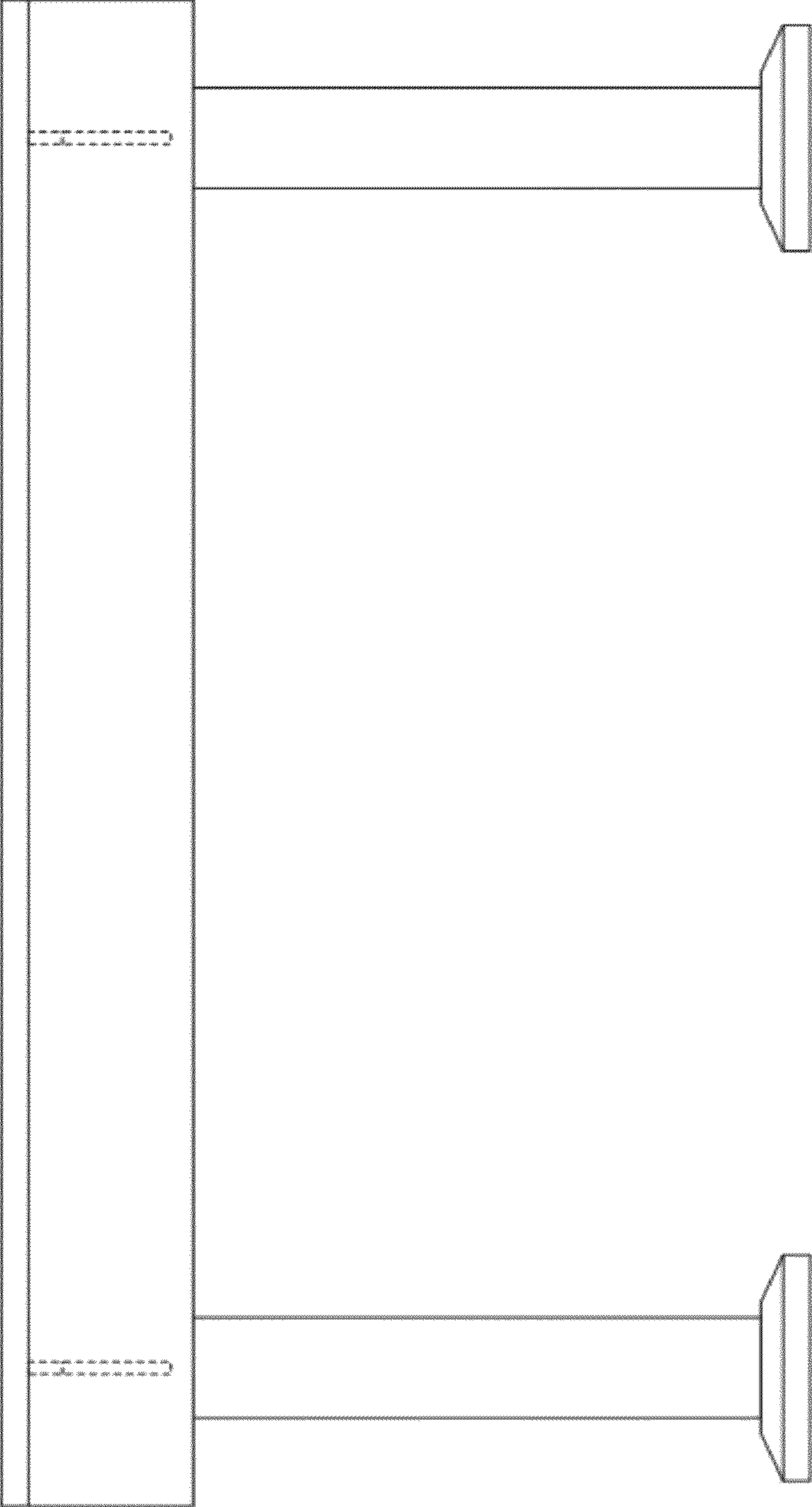




**FIG. 8**



**FIG. 9**



**FIG. 10**