

US00D661512S

(12) **United States Design Patent**
McRorie

(10) **Patent No.:** **US D661,512 S**
(45) **Date of Patent:** **** Jun. 12, 2012**

(54) **MOBILE CABINET**

(75) Inventor: **Robert Grant McRorie**, Huntersville, NC (US)

(73) Assignee: **Rubbermaid Incorporated**, Huntersville, NC (US)

(**) Term: **14 Years**

(21) Appl. No.: **29/385,719**

(22) Filed: **Feb. 18, 2011**

(51) **LOC (9) Cl.** **06-04**

(52) **U.S. Cl.** **D6/432**

(58) **Field of Classification Search** D6/397,
D6/432, 436, 437, 438, 439, 443, 445, 446,
D6/447, 448, 477; 312/114, 125, 138.1,
312/199, 204, 223.3, 237, 249.1, 249.3, 249.8,
312/249.12, 257.1; D34/19, 21

See application file for complete search history.

(56) **References Cited**

U.S. PATENT DOCUMENTS

370,967	A	*	10/1887	McNutt	312/199
D315,070	S	*	3/1991	Miller	D6/436
D336,725	S	*	6/1993	Emanuel	D6/477
5,518,310	A	*	5/1996	Ellman et al.	312/249.12
5,630,566	A		5/1997	Case		
D387,920	S	*	12/1997	Powell	D6/397
D399,370	S	*	10/1998	Crinion	D6/436
D407,578	S	*	4/1999	Crinion	D6/436
5,918,841	A		7/1999	Sweere et al.		

D441,983 S * 5/2001 Berlic D6/443
D450,903 S 11/2001 Wacker et al.
2008/0168930 A1 7/2008 Calero

* cited by examiner

Primary Examiner — Mimoso De

(74) *Attorney, Agent, or Firm* — Dennis J. Williamson;
Moore & Van Allen, PLLC

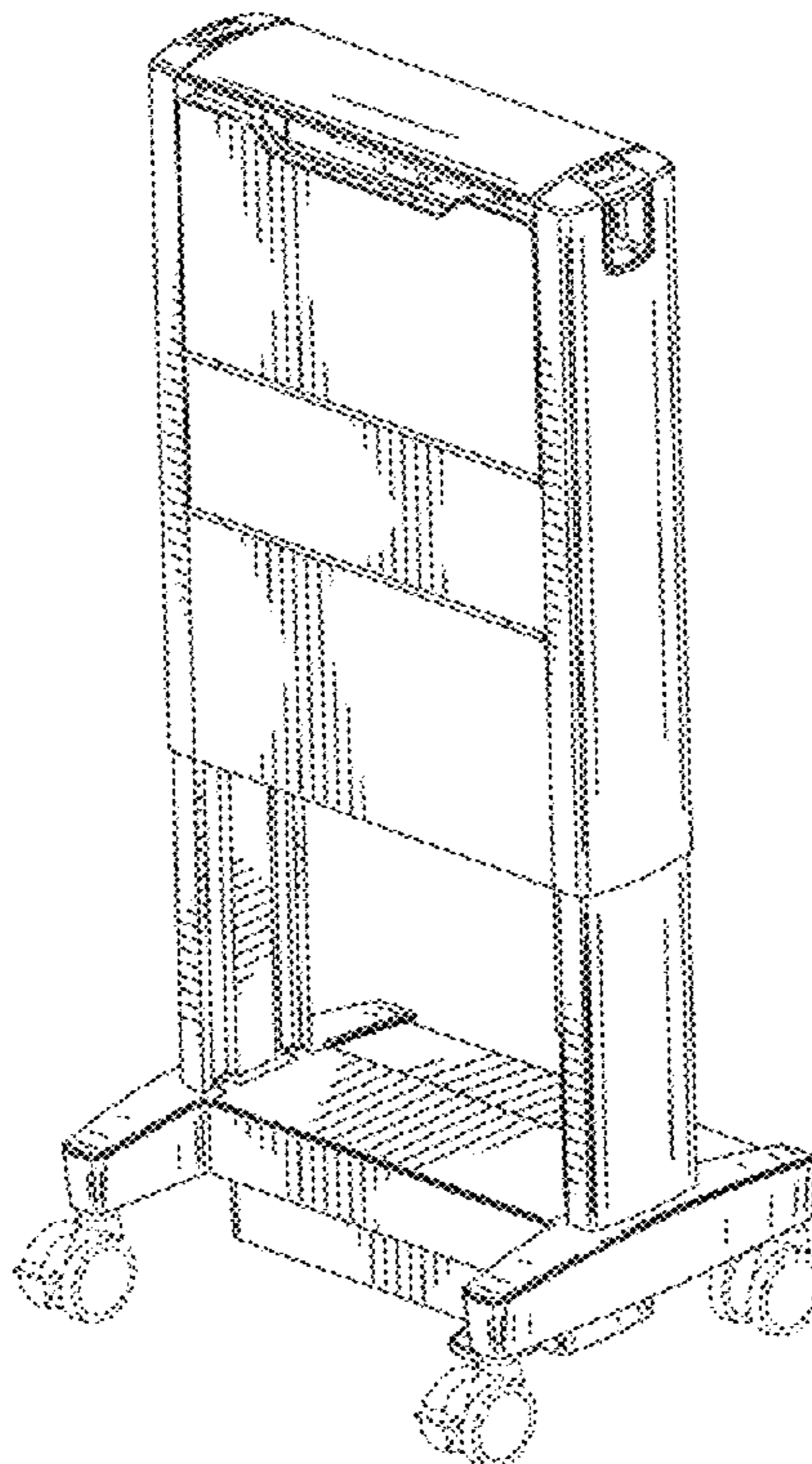
(57) **CLAIM**

I claim the ornamental design for a mobile cabinet, as shown and described.

DESCRIPTION

FIG. 1 is a front view showing my new design for a mobile cabinet in a first position;
FIG. 2 is a left side view showing my new design shown in FIG. 1;
FIG. 3 is a right side view showing my new design shown in FIG. 1;
FIG. 4 is a top view showing my new design shown in FIG. 1;
FIG. 5 is a bottom view showing my new design shown in FIG. 1;
FIG. 6 is a back view showing my new design shown in FIG. 1;
FIG. 7 is a front perspective view showing my new design shown in FIG. 1; and,
FIG. 8 is a back perspective view showing my new design shown in FIG. 1.
The purpose of broken lines in the drawing is to show environmental structure that forms no part of the patented design.

1 Claim, 6 Drawing Sheets



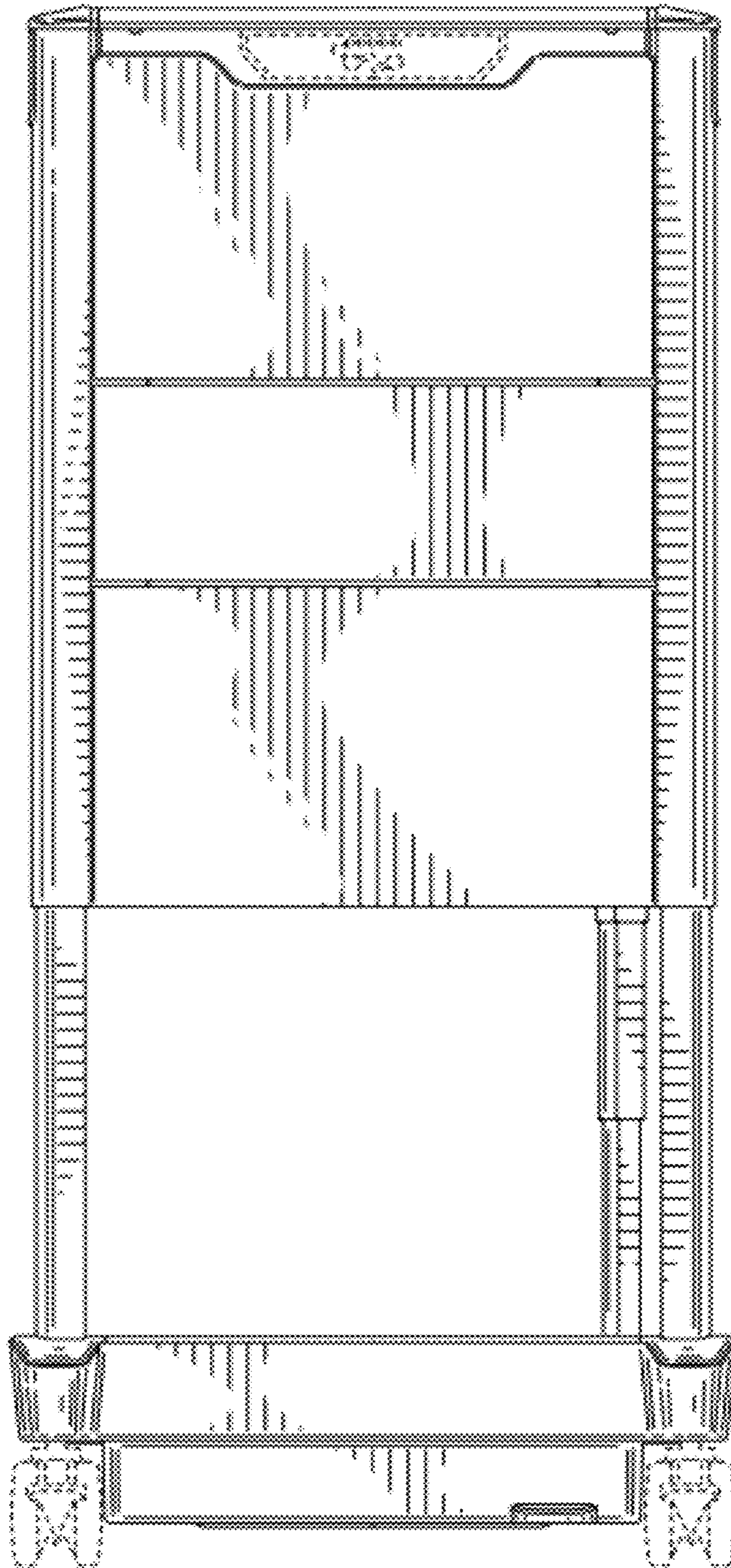


FIG. 1

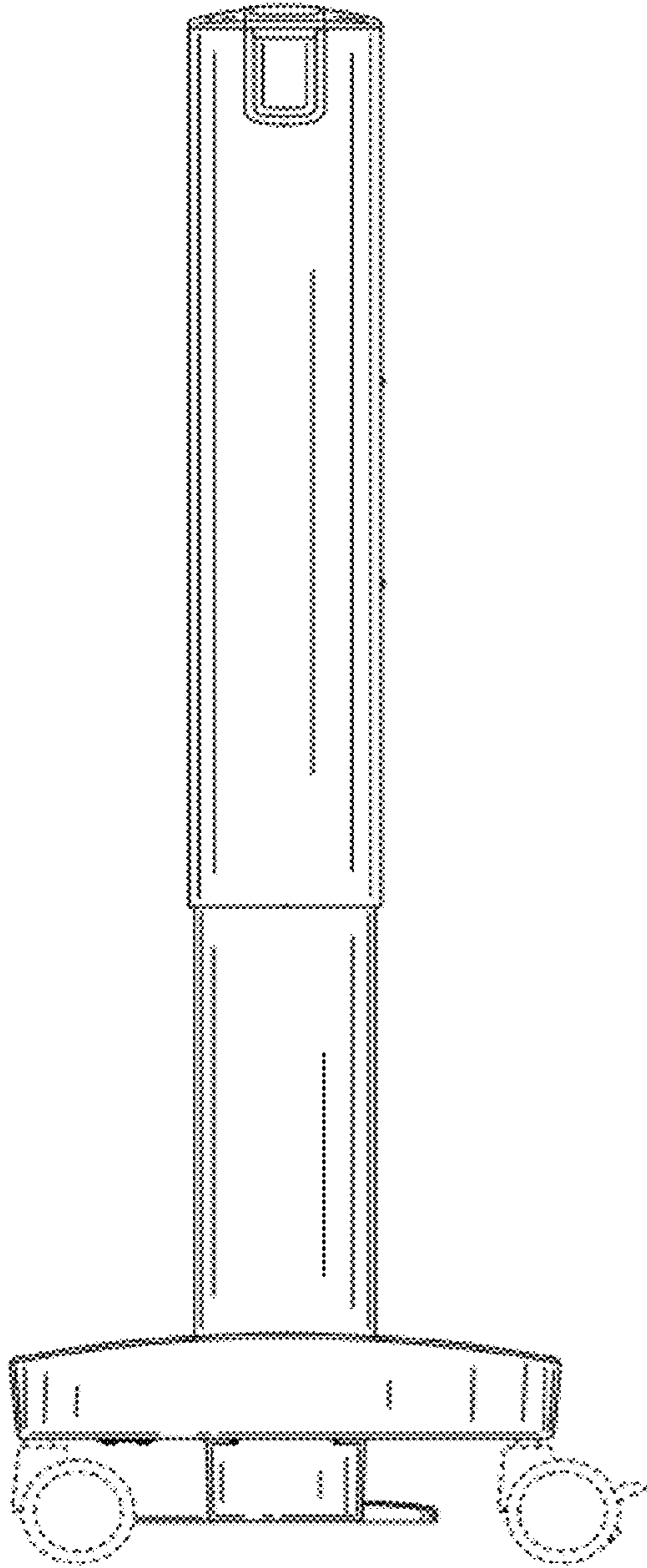


FIG. 2

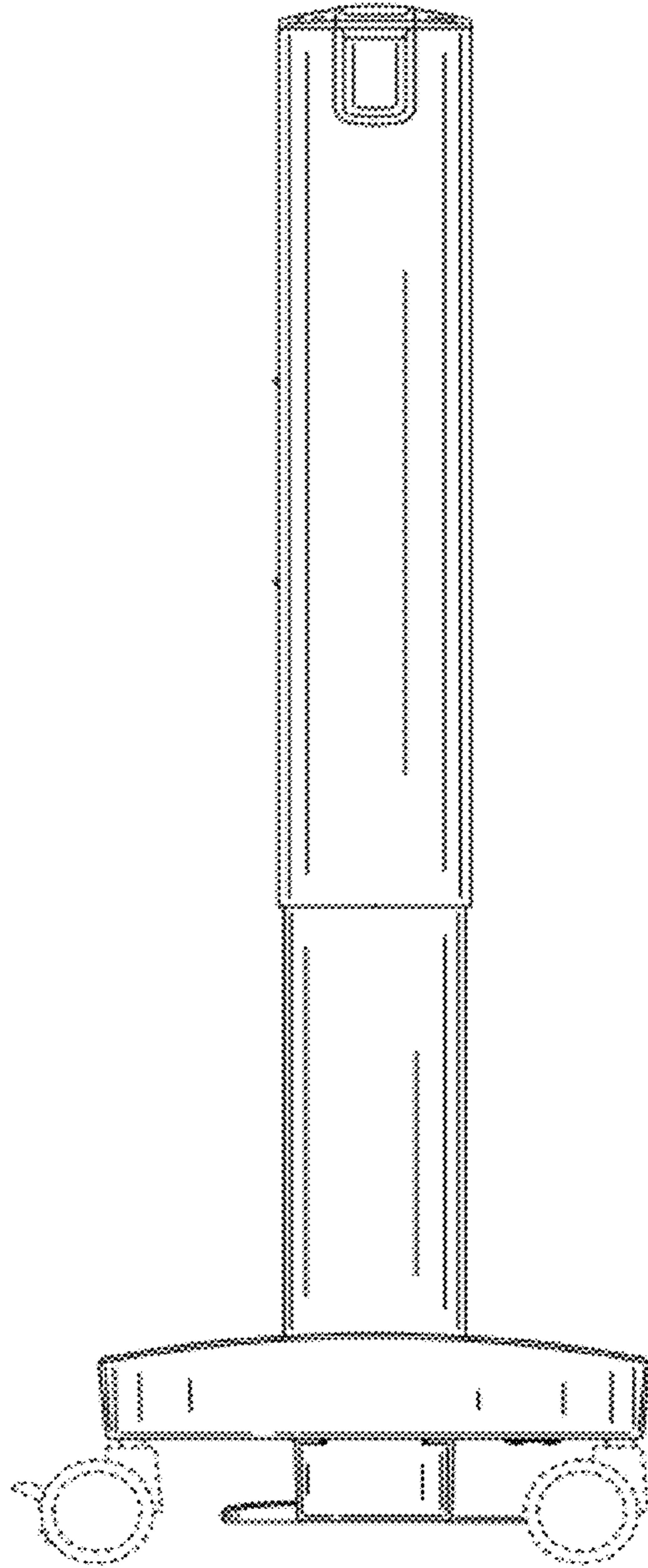


FIG. 3

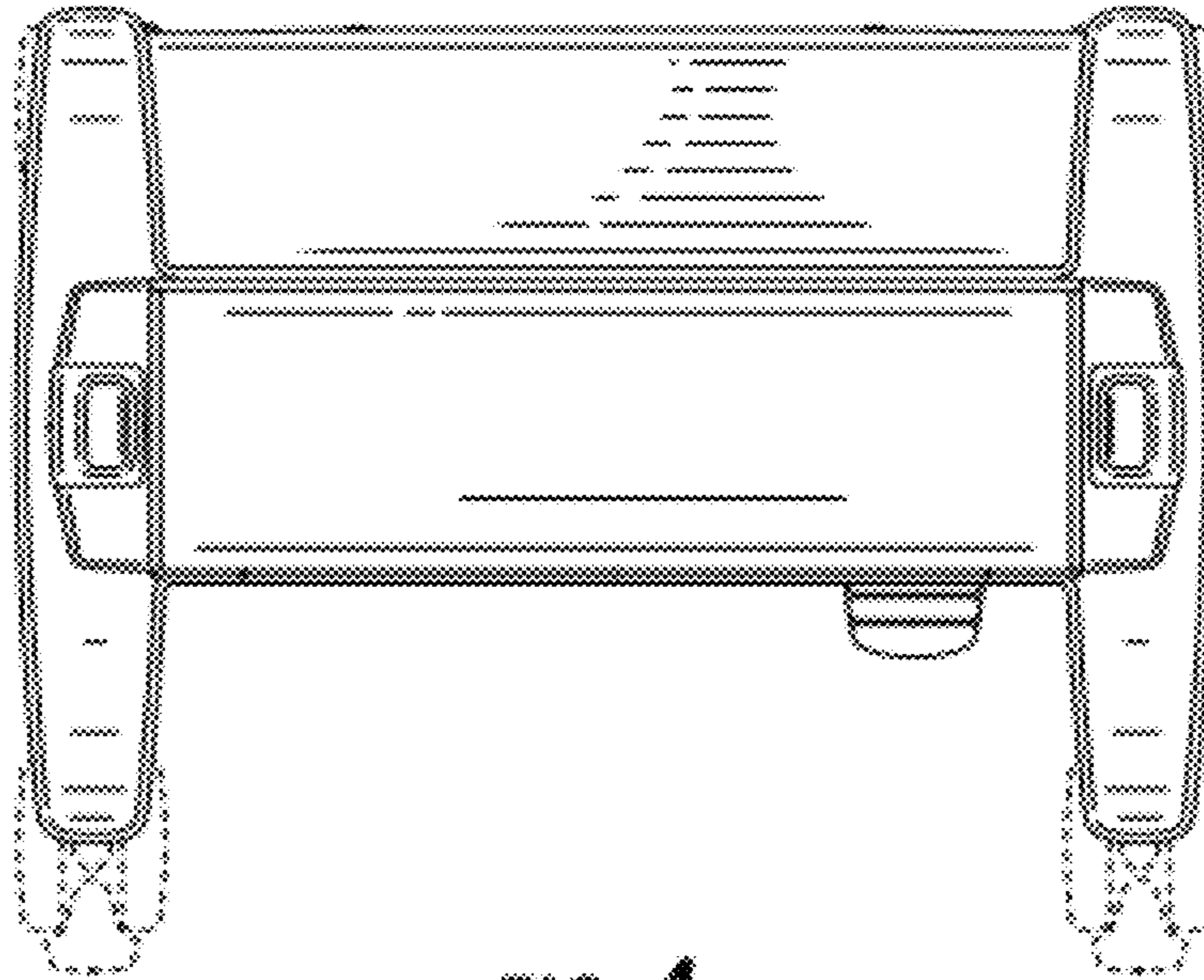


FIG. 4

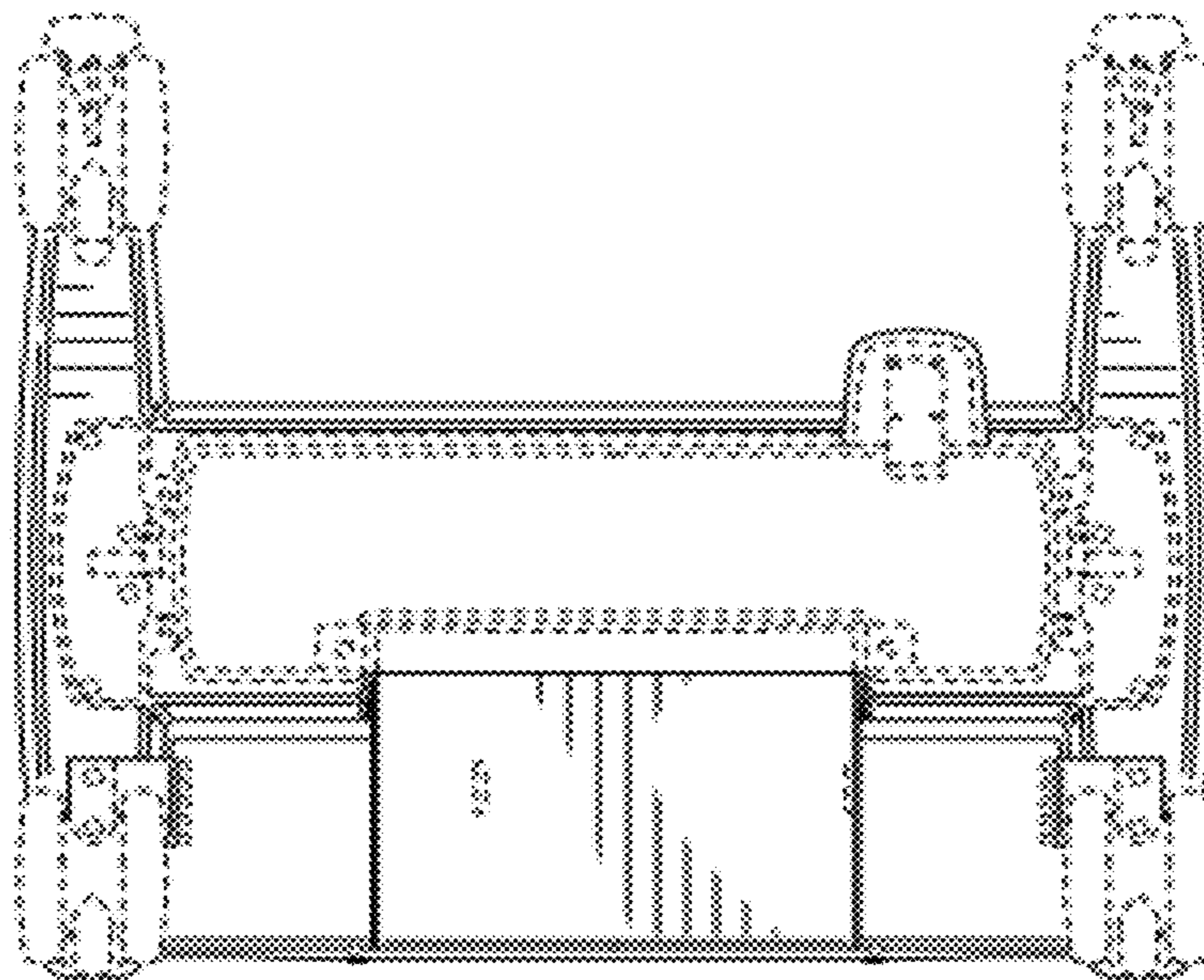


FIG. 5

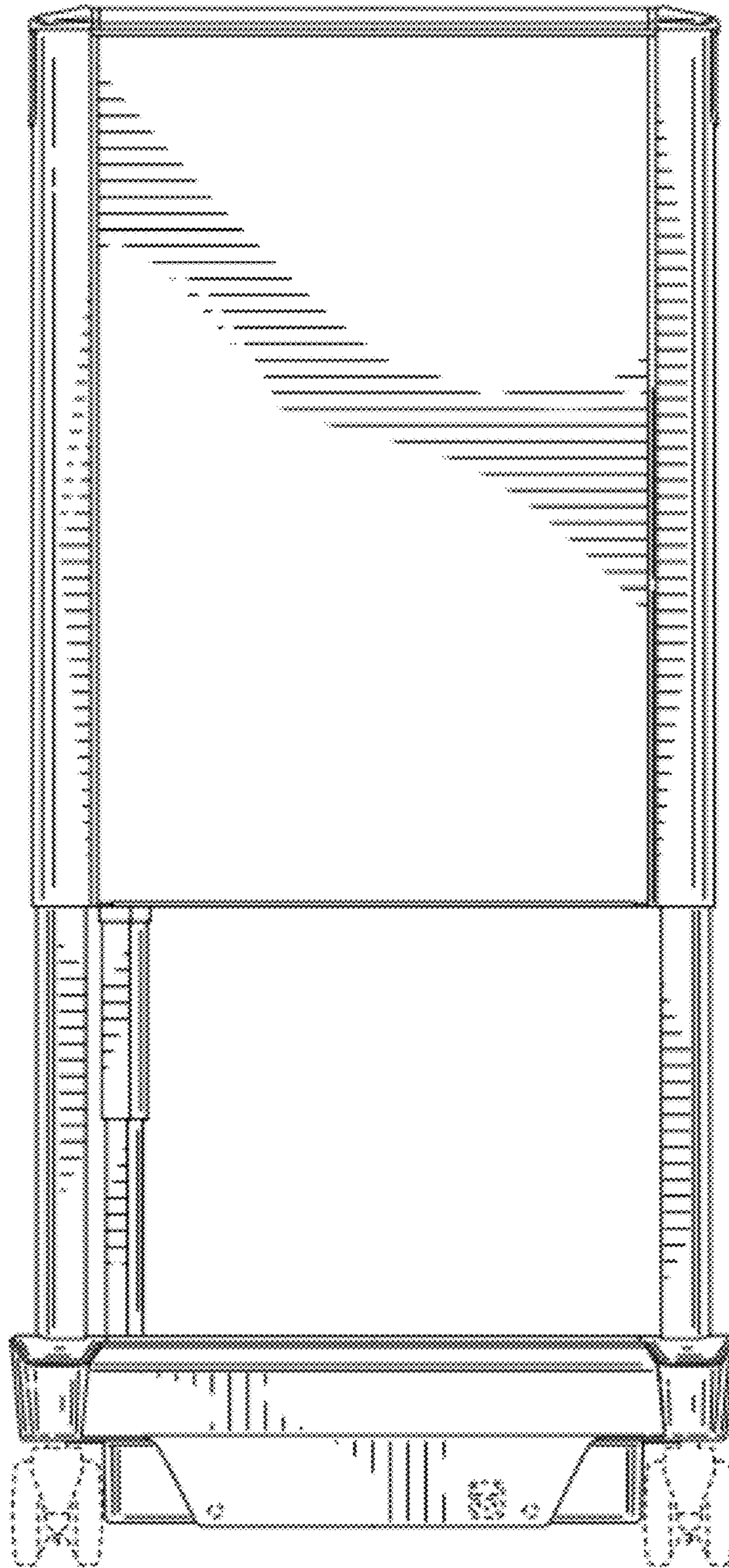


FIG. 6

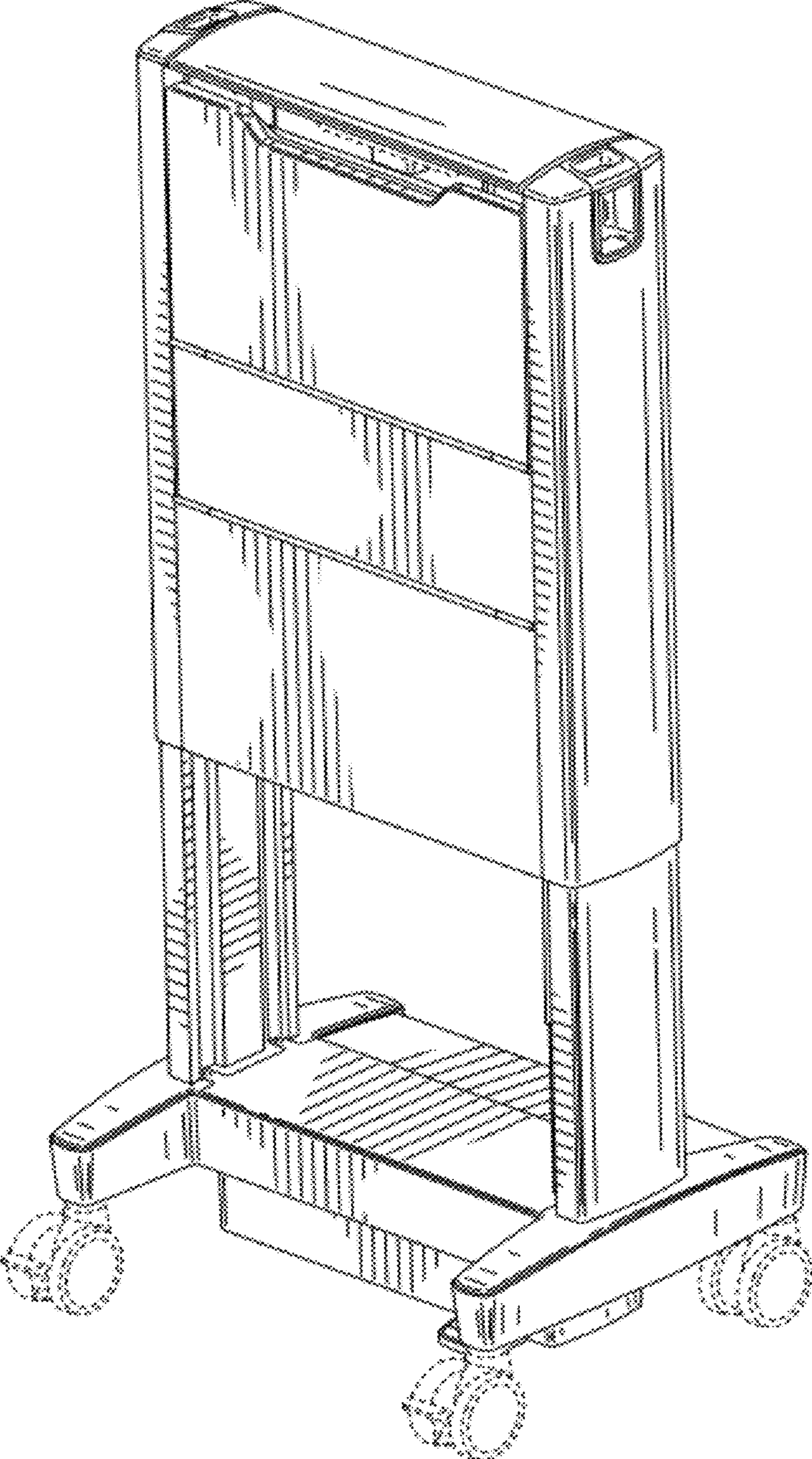


FIG. 7

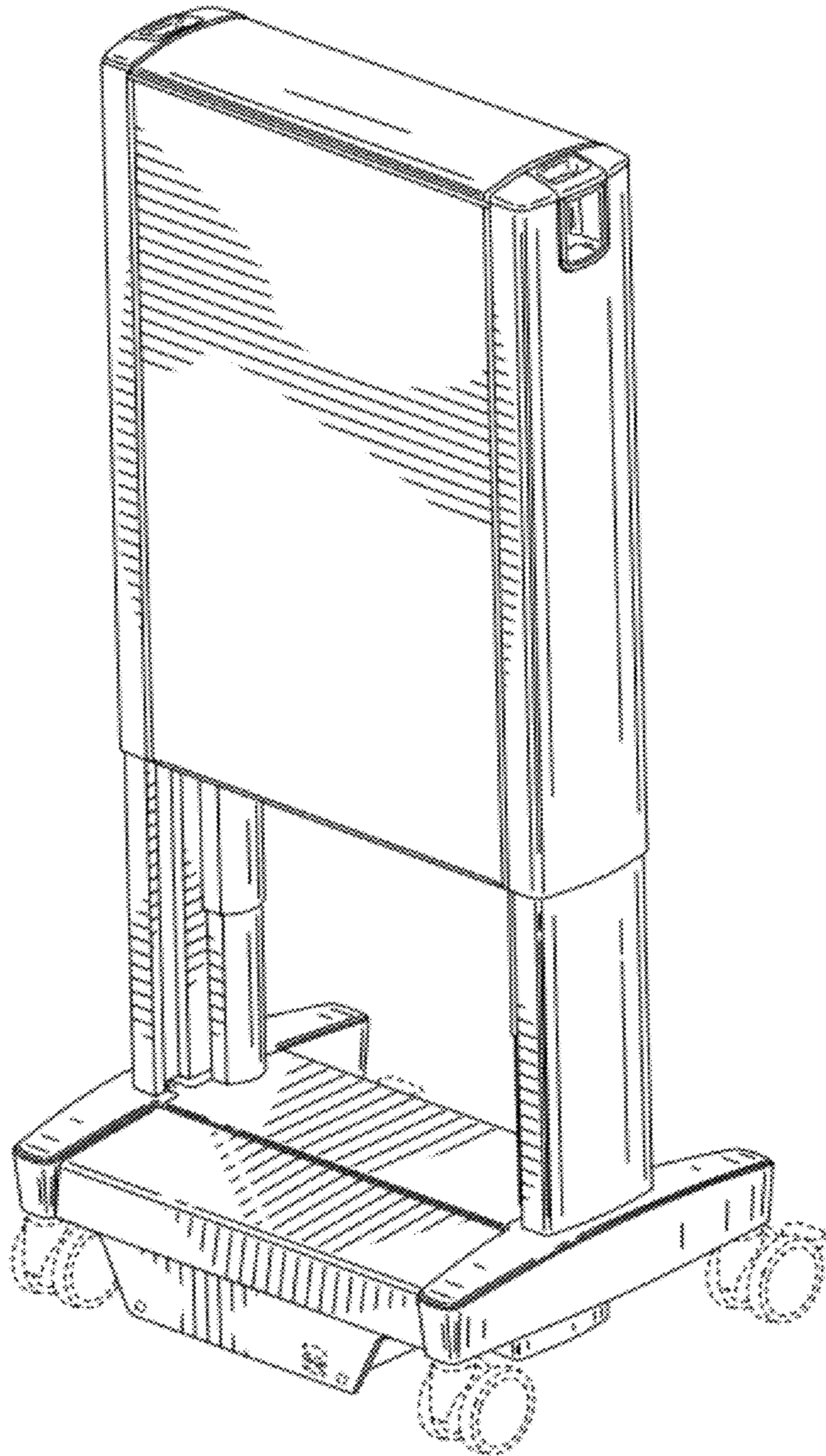


FIG. 8