



US00D661510S

(12) **United States Design Patent**
Sakakibara et al.

(10) **Patent No.:** **US D661,510 S**
(45) **Date of Patent:** **** Jun. 12, 2012**

(54) **CONVERTIBLE BED**

(75) Inventors: **Mizuho Sakakibara**, Tokyo (JP); **Hideo Kawakami**, Osaka (JP); **Yohei Kume**, Osaka (JP); **Shohei Tsukada**, Osaka (JP); **Tohru Nakamura**, Osaka (JP)

(73) Assignee: **Panasonic Corporation**, Osaka (JP)

(**) Term: **14 Years**

(21) Appl. No.: **29/387,807**

(22) Filed: **Mar. 18, 2011**

(30) **Foreign Application Priority Data**

Sep. 22, 2010 (JP) 2010-022703

(51) **LOC (9) Cl.** **06-02**

(52) **U.S. Cl.** **D6/393**

(58) **Field of Classification Search** D6/382-384,
D6/392-395, 503, 505-508; 5/600, 607,
5/613, 200.1, 286, 663, 424, 425, 662, 53.1,
5/905

See application file for complete search history.

(56) **References Cited**

U.S. PATENT DOCUMENTS

1,740,906	A *	12/1929	Rothauszky et al.	5/608
D105,663	S *	8/1937	Jiraneck	D6/393
D345,061	S *	3/1994	Tyng	D6/393
5,826,286	A *	10/1998	Cranston	5/606
6,256,811	B1 *	7/2001	Nelson	5/53.1
D480,577	S *	10/2003	Ogawa	D6/392
D526,140	S *	8/2006	Cook	D6/393
D641,577	S *	7/2011	Wahl et al.	D6/505

* cited by examiner

Primary Examiner — Janice Seeger

(74) *Attorney, Agent, or Firm* — Brinks Hofer Gilson & Lione

(57) **CLAIM**

We claim the ornamental design for a convertible bed, as shown and described.

DESCRIPTION

FIG. 1 is a top perspective view of a convertible bed according to a first embodiment of the present invention;

FIG. 2 is a front view thereof;

FIG. 3 is a rear view thereof;

FIG. 4 is a first side view thereof;

FIG. 5 is a second side view thereof;

FIG. 6 is a top view thereof;

FIG. 7 is a top perspective view of a convertible bed according to a second embodiment of the present invention, the front view, rear view, first side view, second side view and top view, respectively, of the second embodiment being identical to the front view, rear view, first side view, second side view and top view of the first embodiment;

FIG. 8 is a top perspective view of a convertible bed according to a third embodiment of the present invention, the front view, rear view, first side view, second side view and top view, respectively, of the third embodiment being identical to the front view, rear view, first side view, second side view and top view of the first embodiment; and,

FIG. 9 is a top perspective view of a convertible bed according to a fourth embodiment of the present invention, the front view, rear view, first side view, second side view and top view, respectively, of the fourth embodiment being identical to the front view, rear view, first side view, second side view and top view of the first embodiment.

The broken line showing of convertible bed is included for the purpose of illustrating environment and forms no part of the claimed design. Additionally, the unevenly broken lines in the drawings define the limits of the claimed design.

The three vertical strips shown in FIGS. 7-9 selectively light up according to the status of the bed. A vertical strip with darker shading indicates that the vertical strip is lighted.

1 Claim, 9 Drawing Sheets

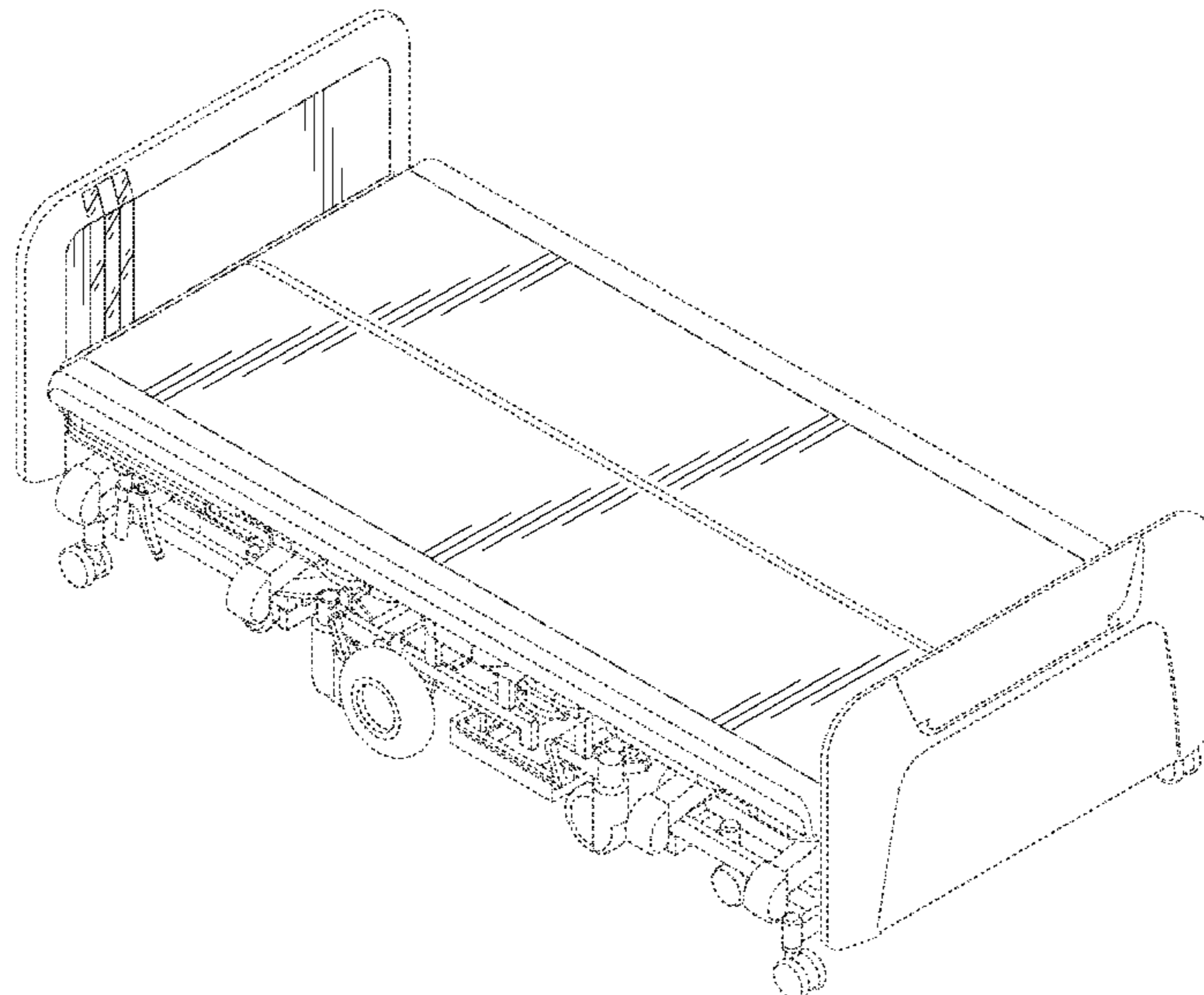


FIG. 1

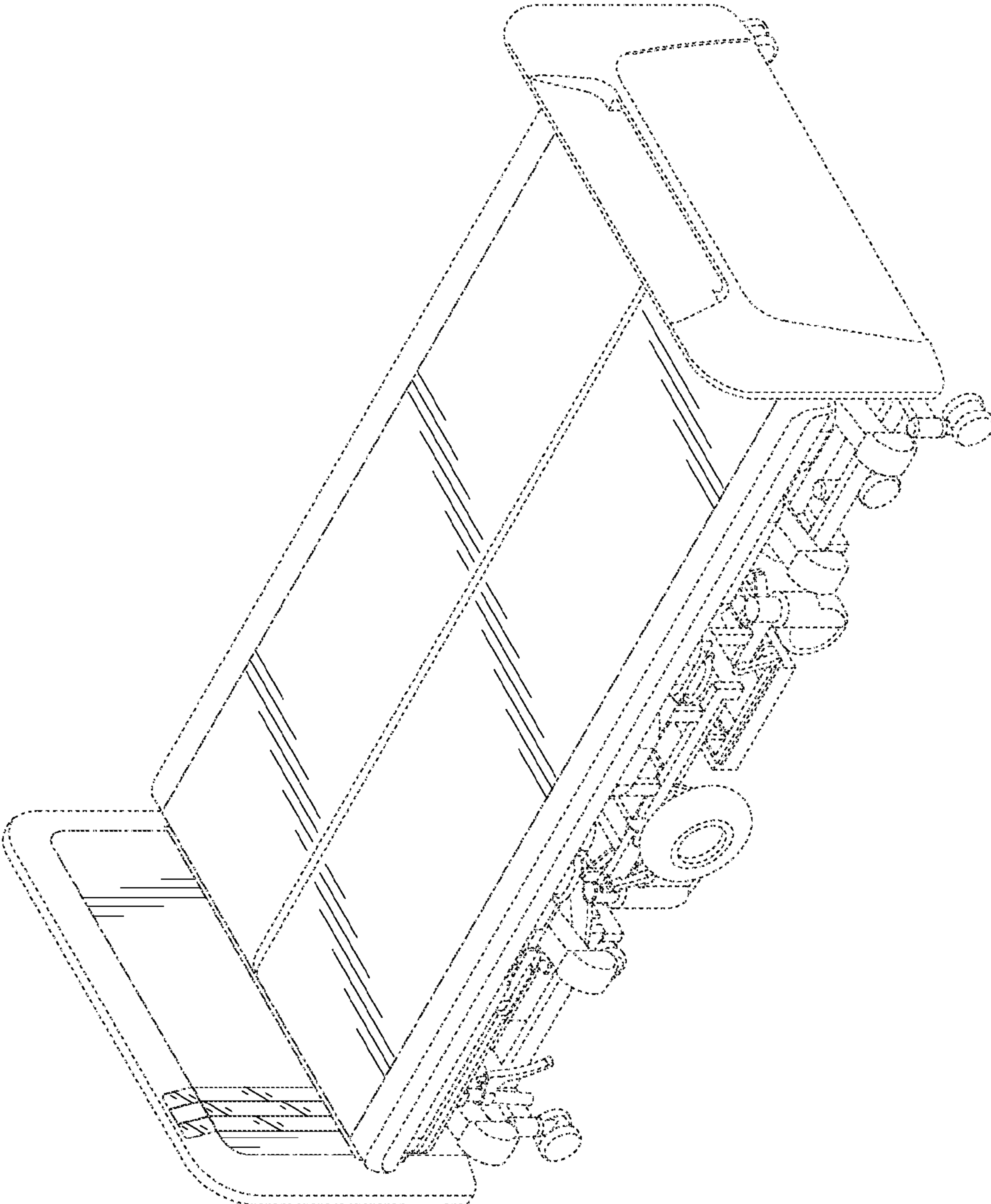


FIG. 2

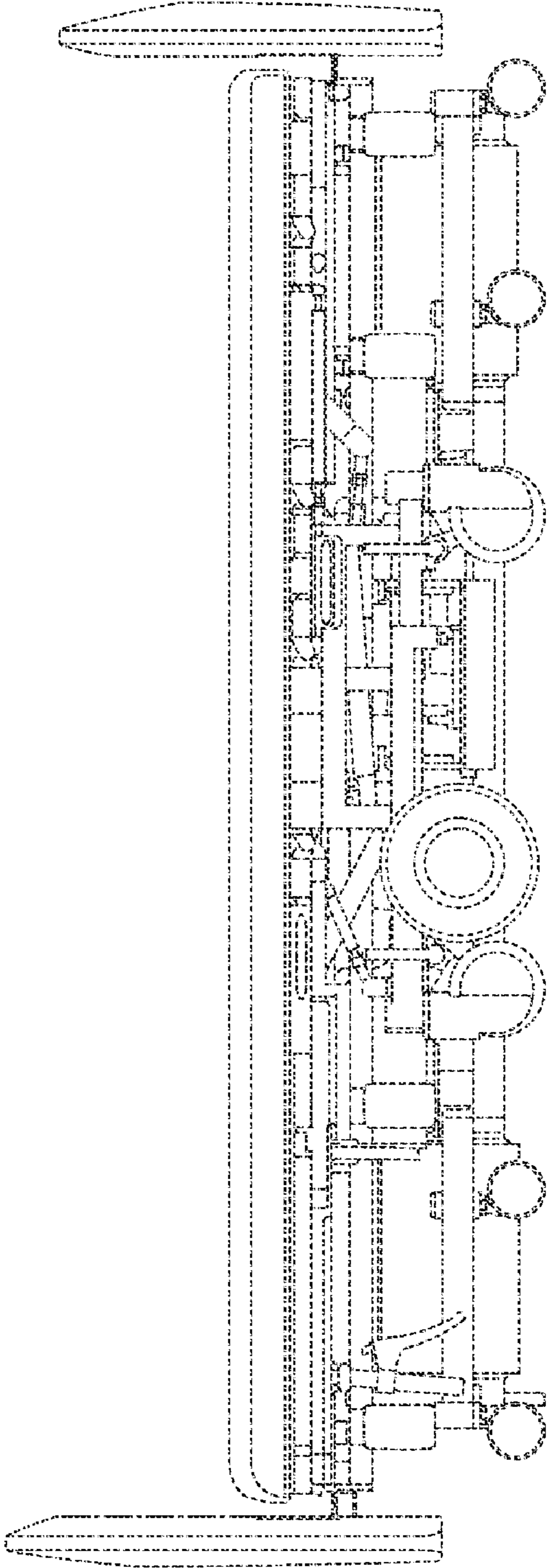


FIG. 3

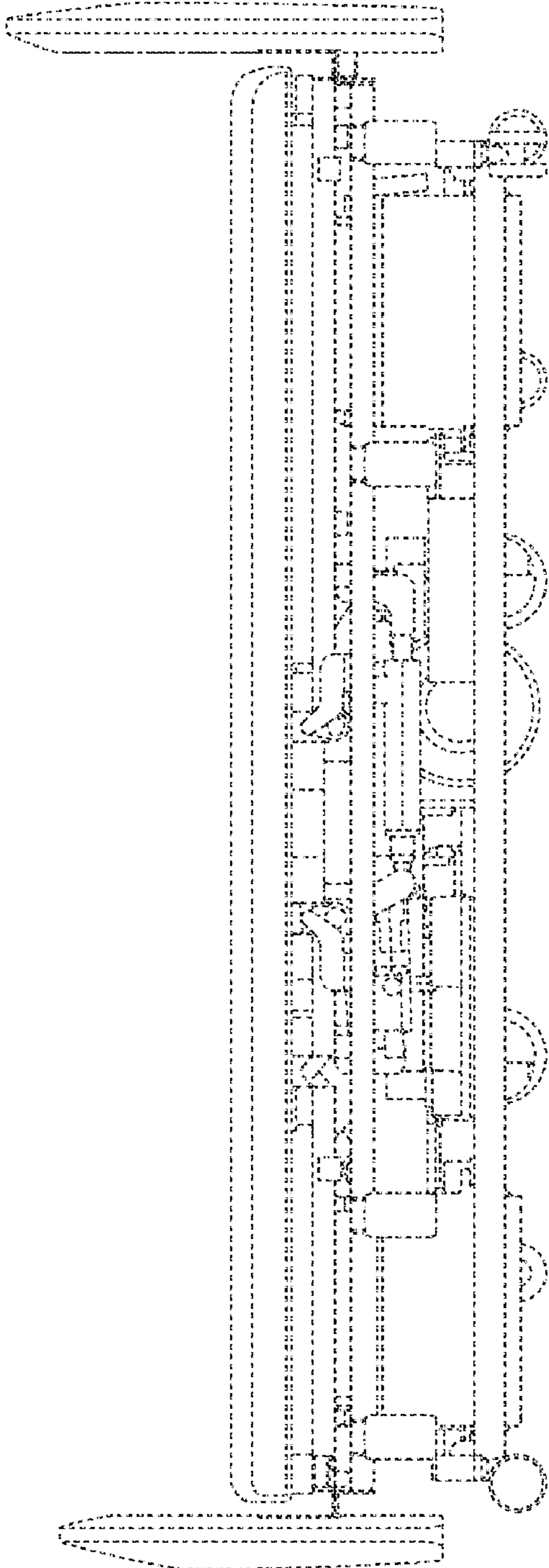


FIG. 4

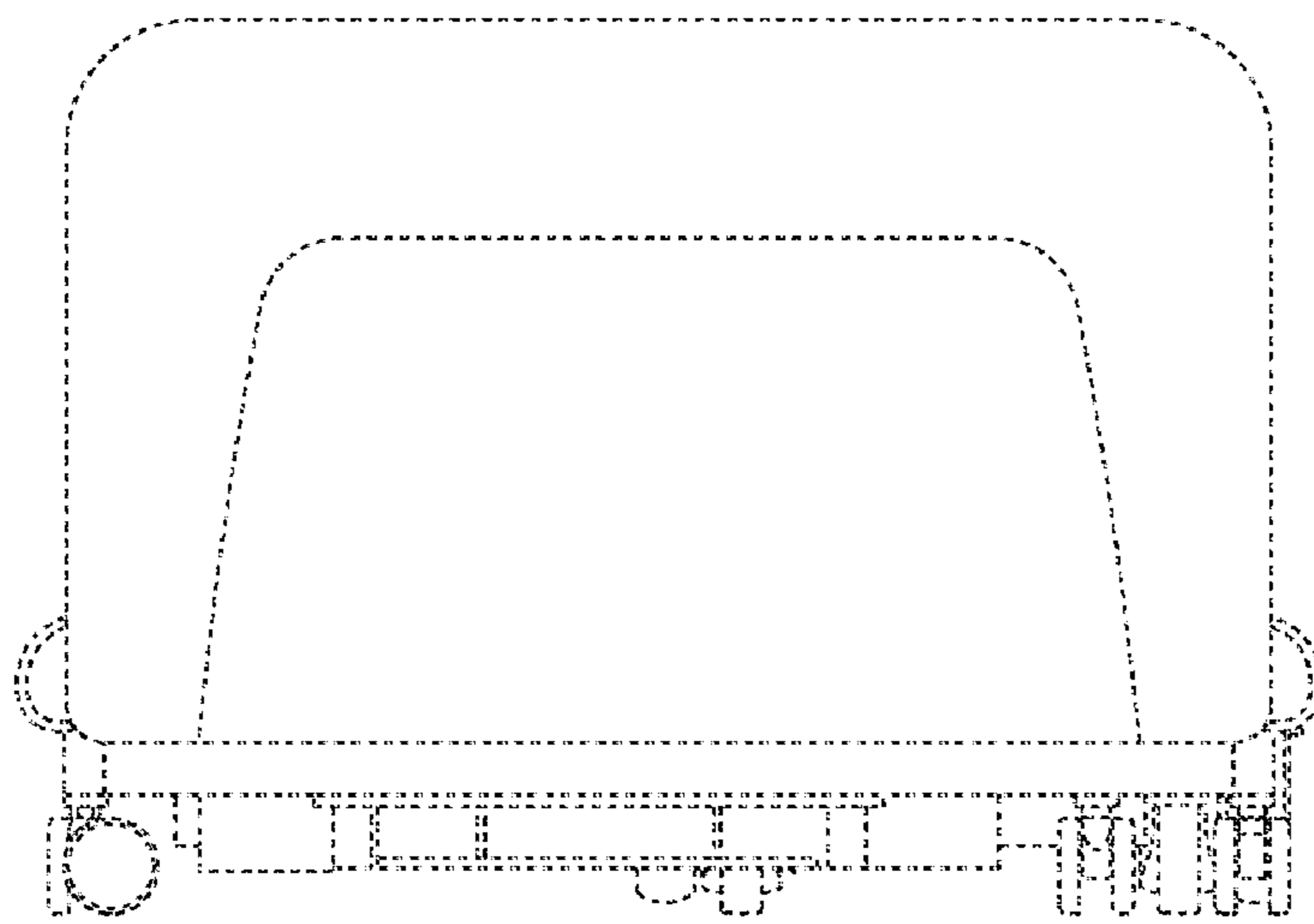


FIG. 5

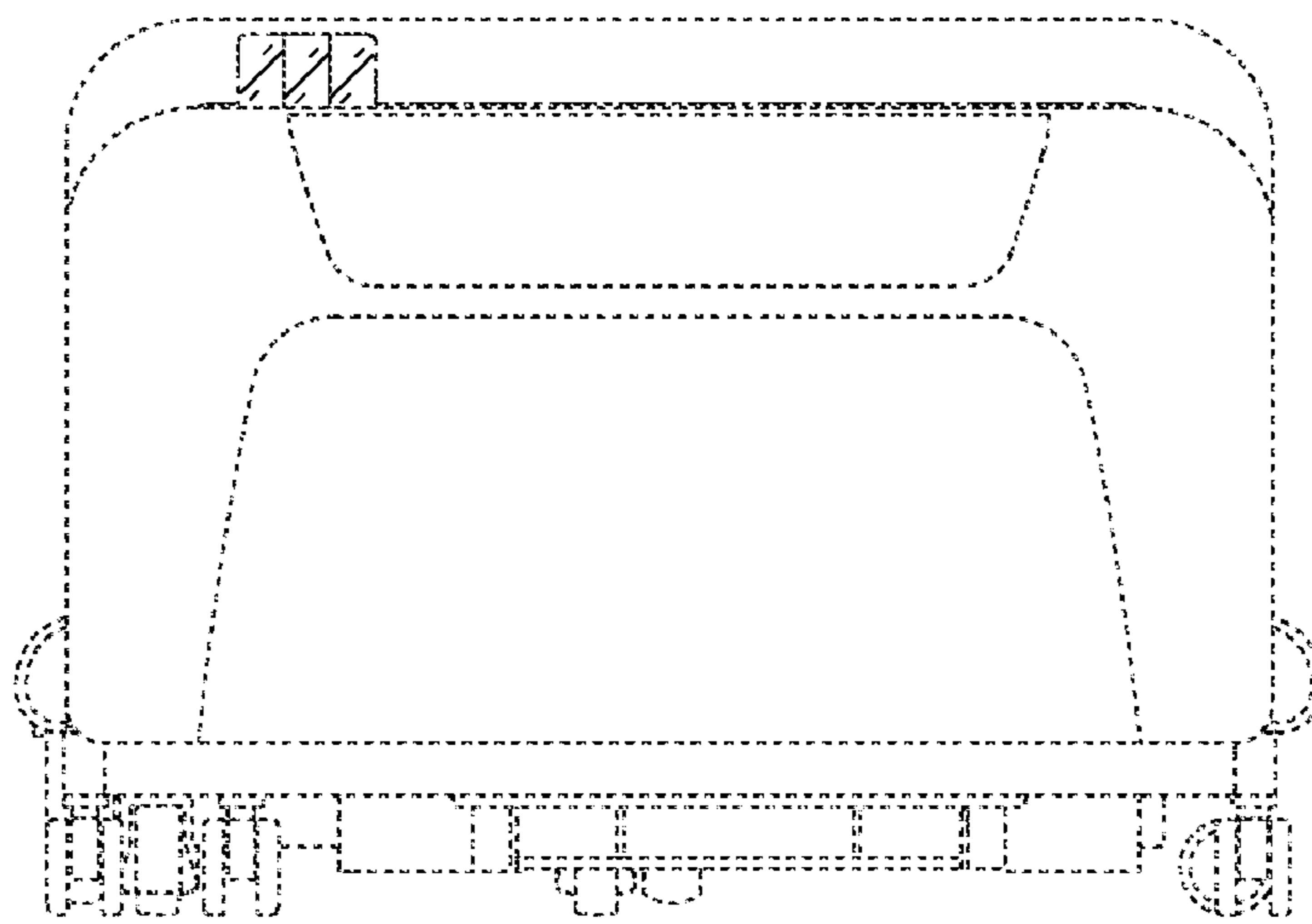


FIG. 6

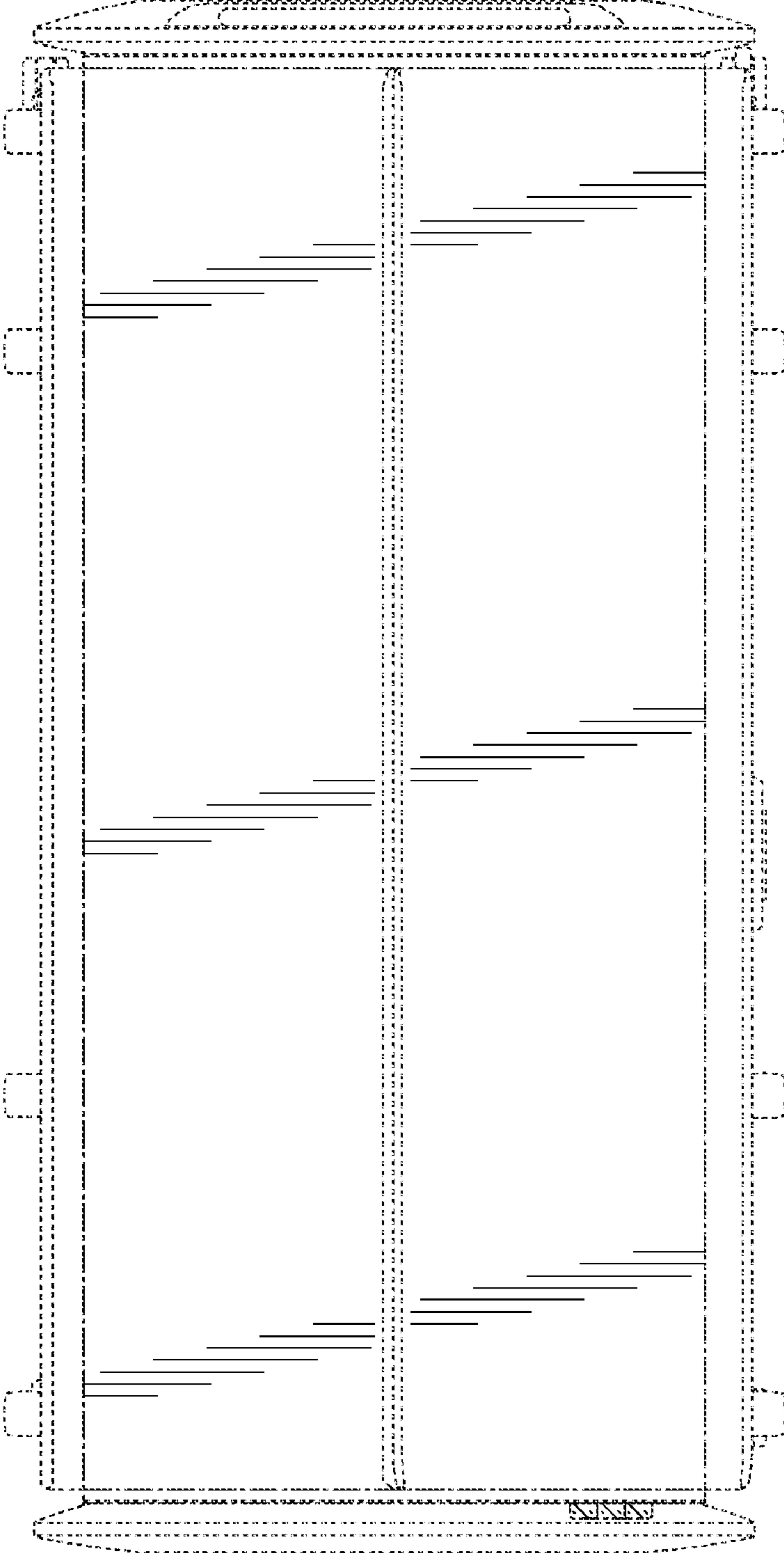


FIG. 7

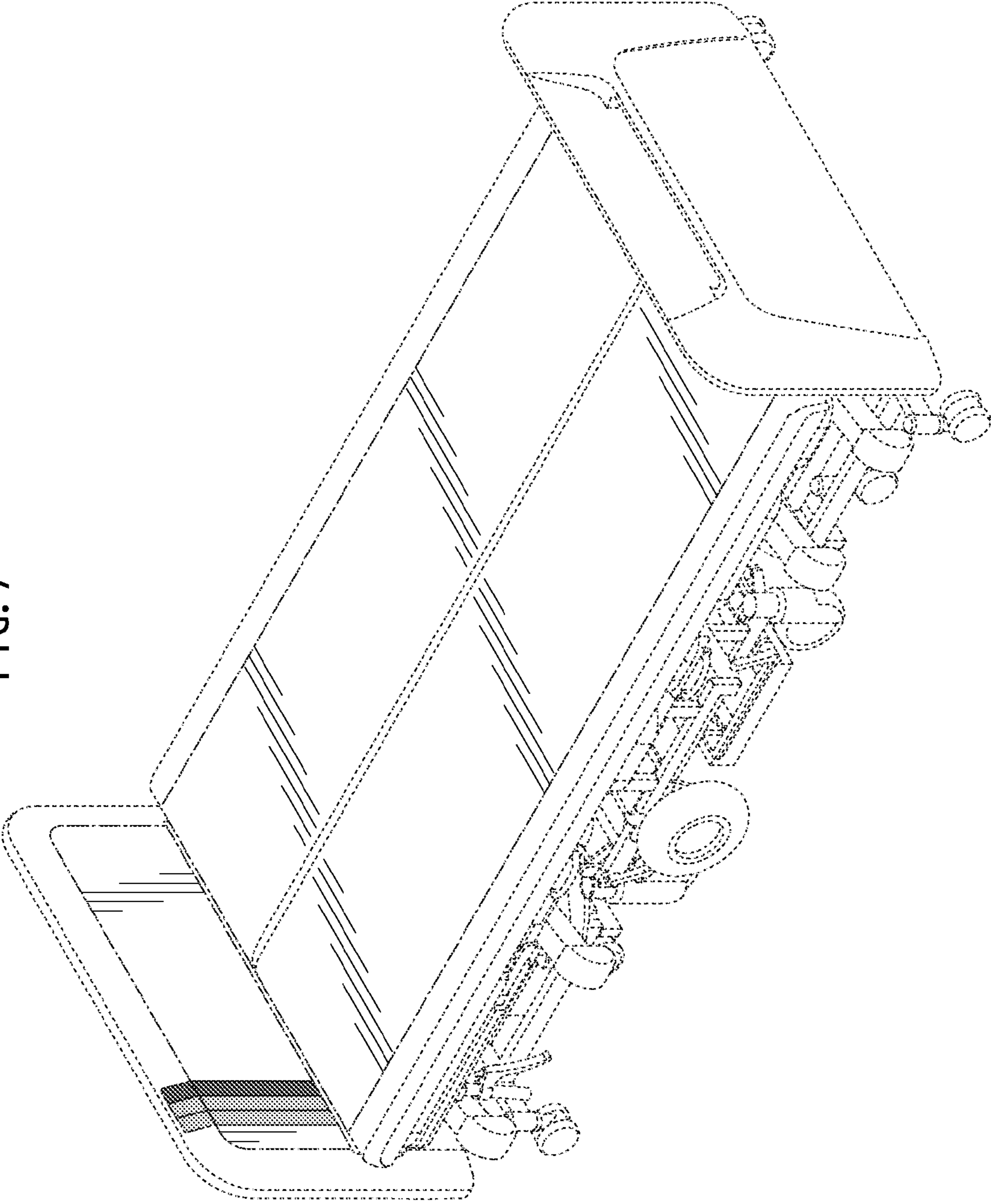


FIG. 8

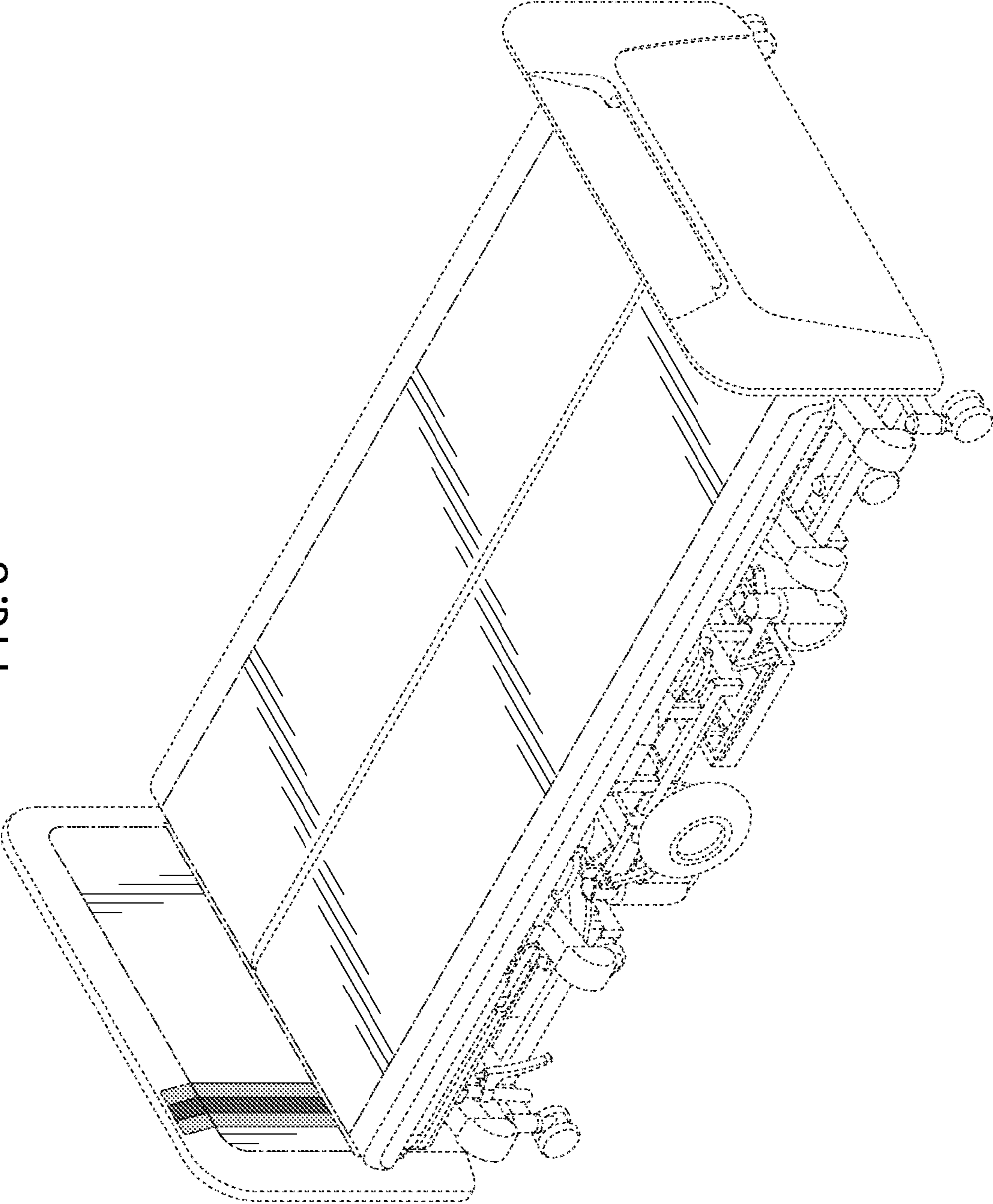


FIG. 9

