



US00D661509S

(12) **United States Design Patent**
Wu

(10) **Patent No.:** **US D661,509 S**
(45) **Date of Patent:** **** Jun. 12, 2012**

(54) **CHAIR**

(76) Inventor: **Yao-Chuan Wu**, Chiayi Hsien (TW)

(**) Term: **14 Years**

(21) Appl. No.: **29/396,482**

(22) Filed: **Jun. 30, 2011**

(51) **LOC (9) Cl.** **06-01**

(52) **U.S. Cl.** **D6/379**

(58) **Field of Classification Search** D6/334-336,
D6/366, 368, 369, 371-373, 374, 375, 376,
D6/379, 380, 500-502; 297/411.44, 445.1,
297/446.1, 451.9, 452.13, 452.2, 452.56,
297/452.64

See application file for complete search history.

(56) **References Cited**

U.S. PATENT DOCUMENTS

D513,902 S * 1/2006 Piretti D6/380
D514,345 S * 2/2006 Igarashi D6/379
D528,812 S * 9/2006 Giugiaro D6/372

D544,235 S * 6/2007 Chen D6/379
D589,276 S * 3/2009 Dauphin D6/380
D591,526 S * 5/2009 Breen D6/379
D591,527 S * 5/2009 Breen D6/379
D622,974 S * 9/2010 Igarashi D6/379

* cited by examiner

Primary Examiner — Mimosa De

(74) *Attorney, Agent, or Firm* — Alan Kamrath; Kamrath IP Lawfirm, PA

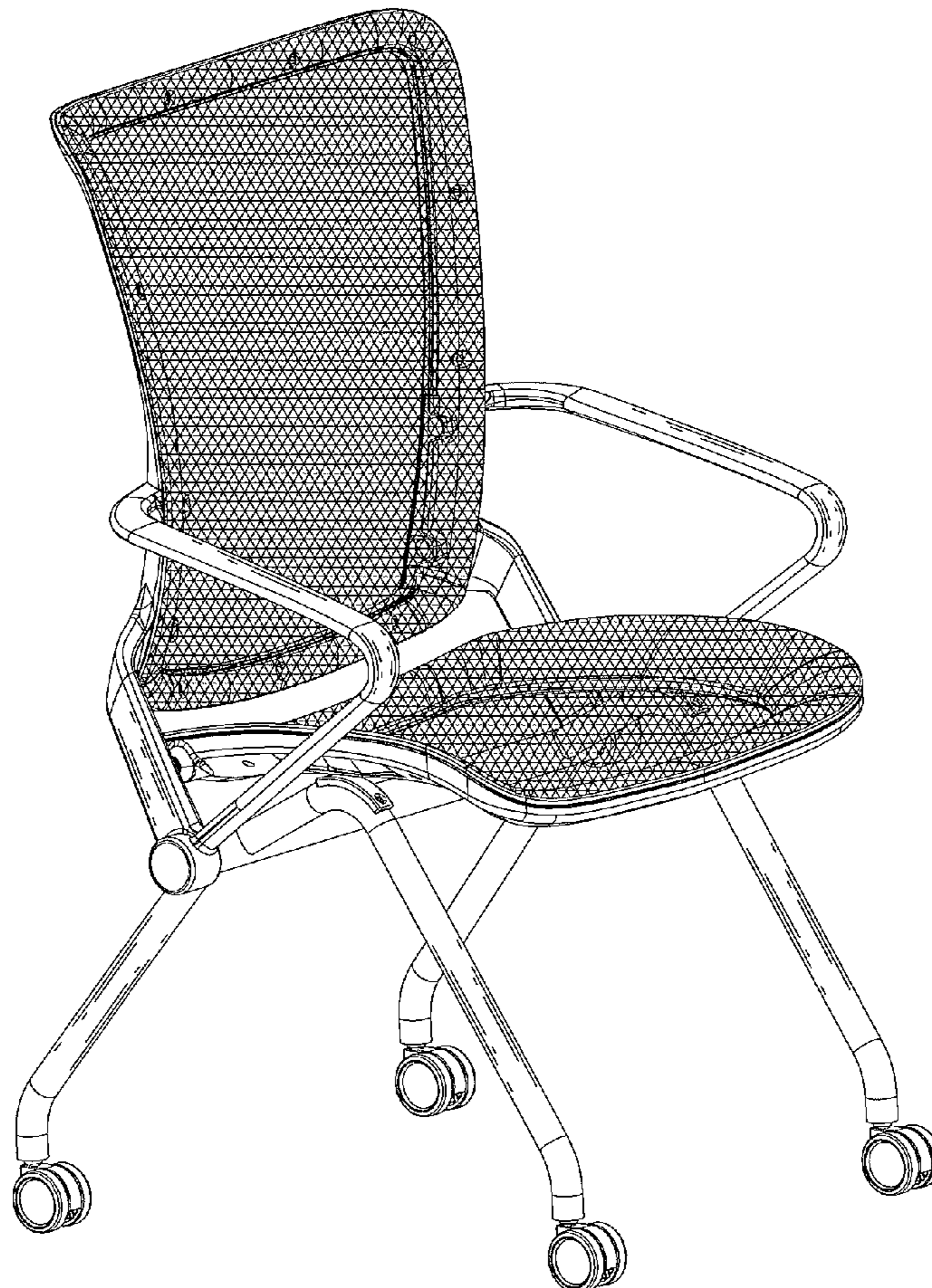
(57) **CLAIM**

The ornamental design for a chair, as shown and described.

DESCRIPTION

FIG. 1 is a perspective view of a chair showing my design;
FIG. 2 is a front elevational view thereof;
FIG. 3 is a rear elevational view thereof;
FIG. 4 is a left side elevational view thereof, the right being a mirror image thereof;
FIG. 5 is a top plan view thereof; and,
FIG. 6 is a bottom plan view thereof.

1 Claim, 6 Drawing Sheets



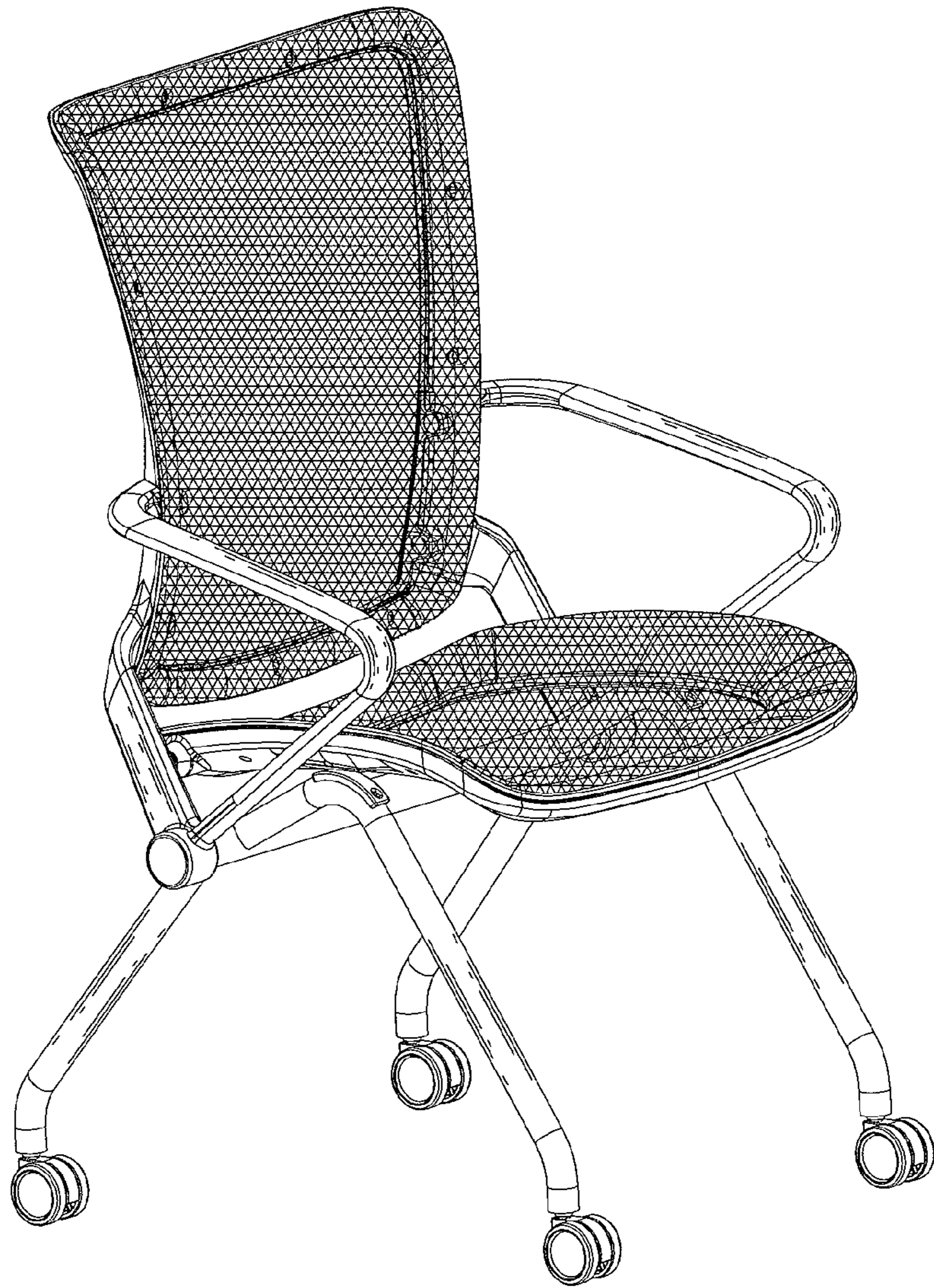


FIG. 1

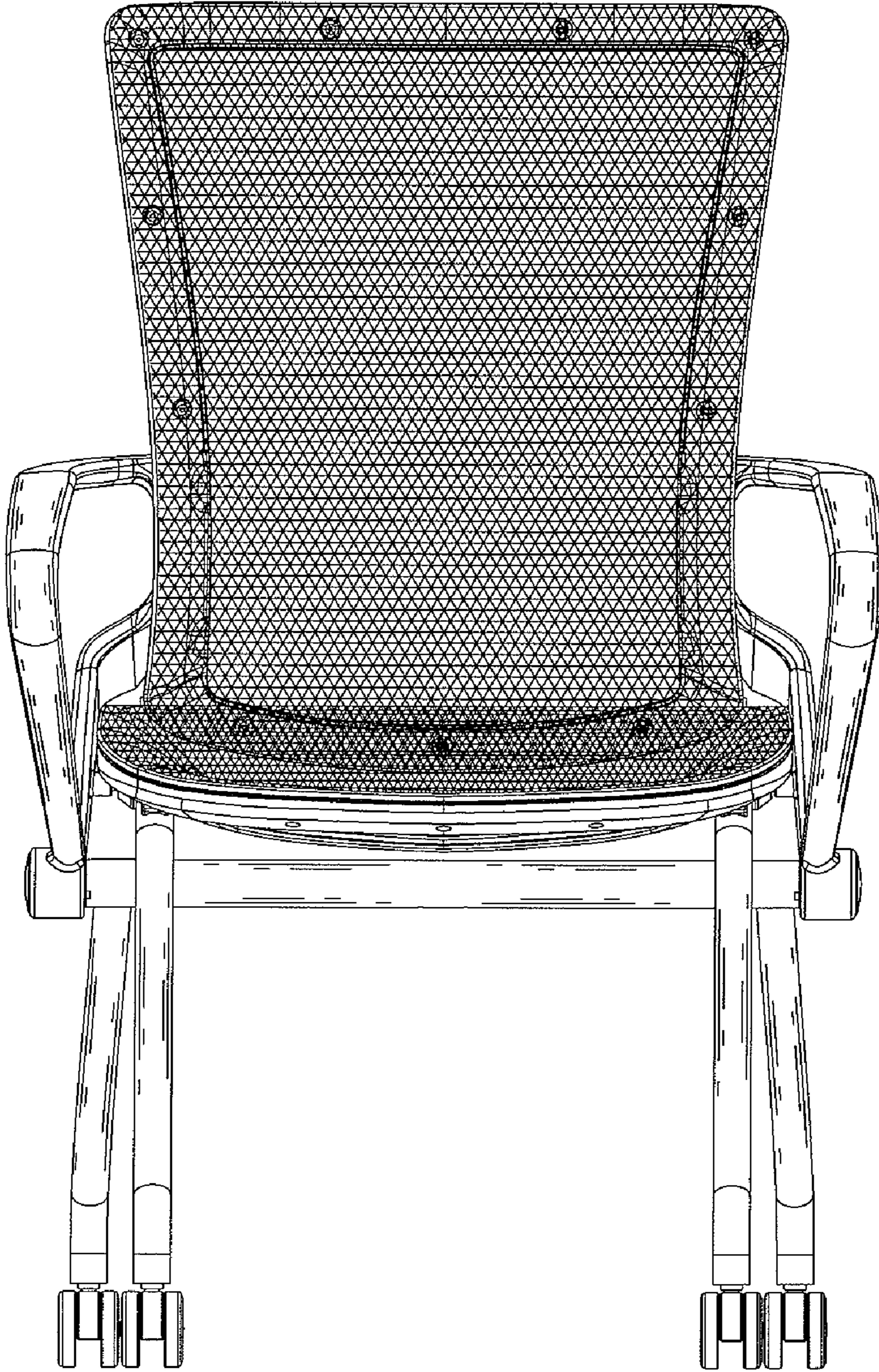


FIG. 2

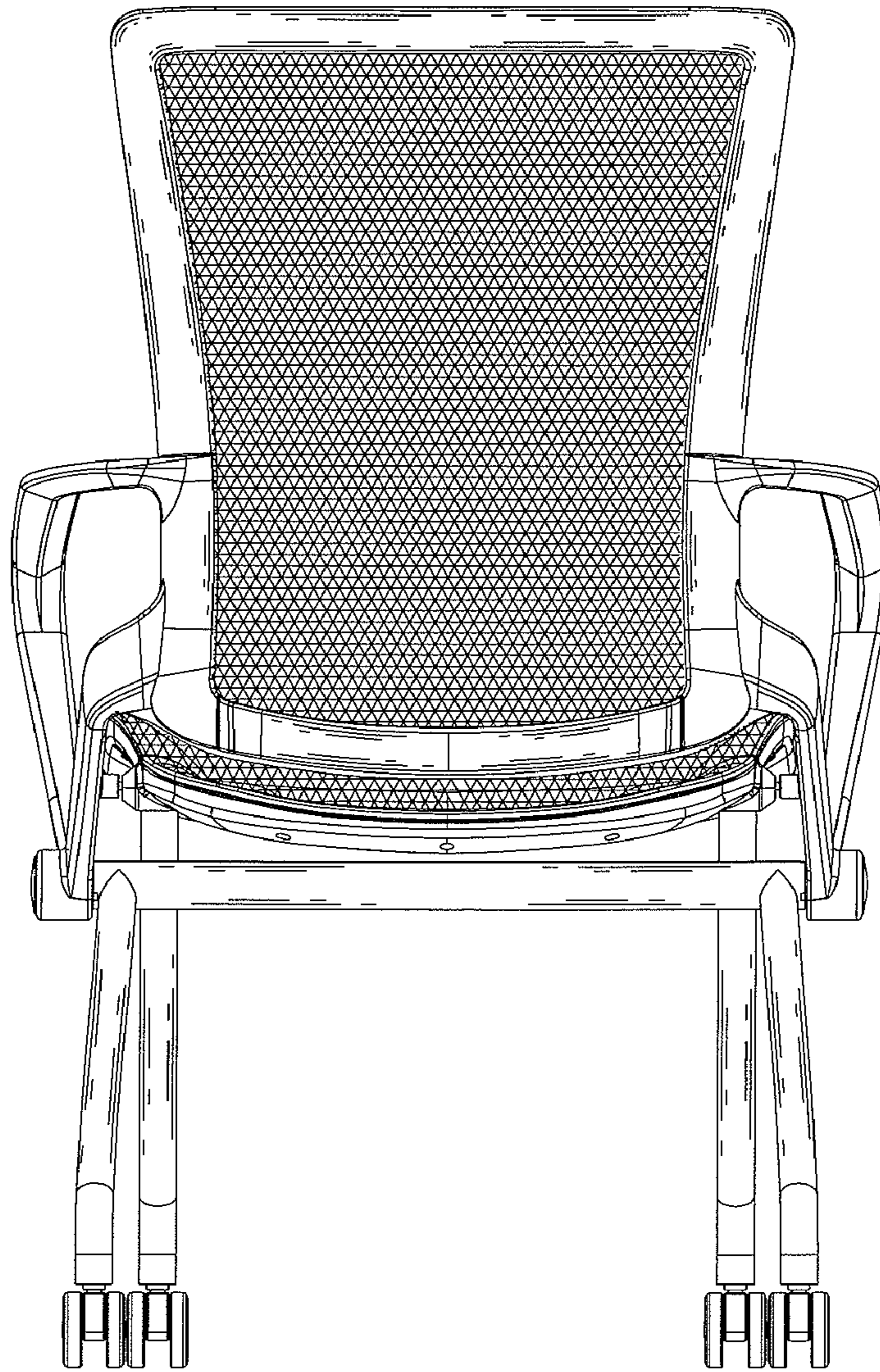


FIG. 3

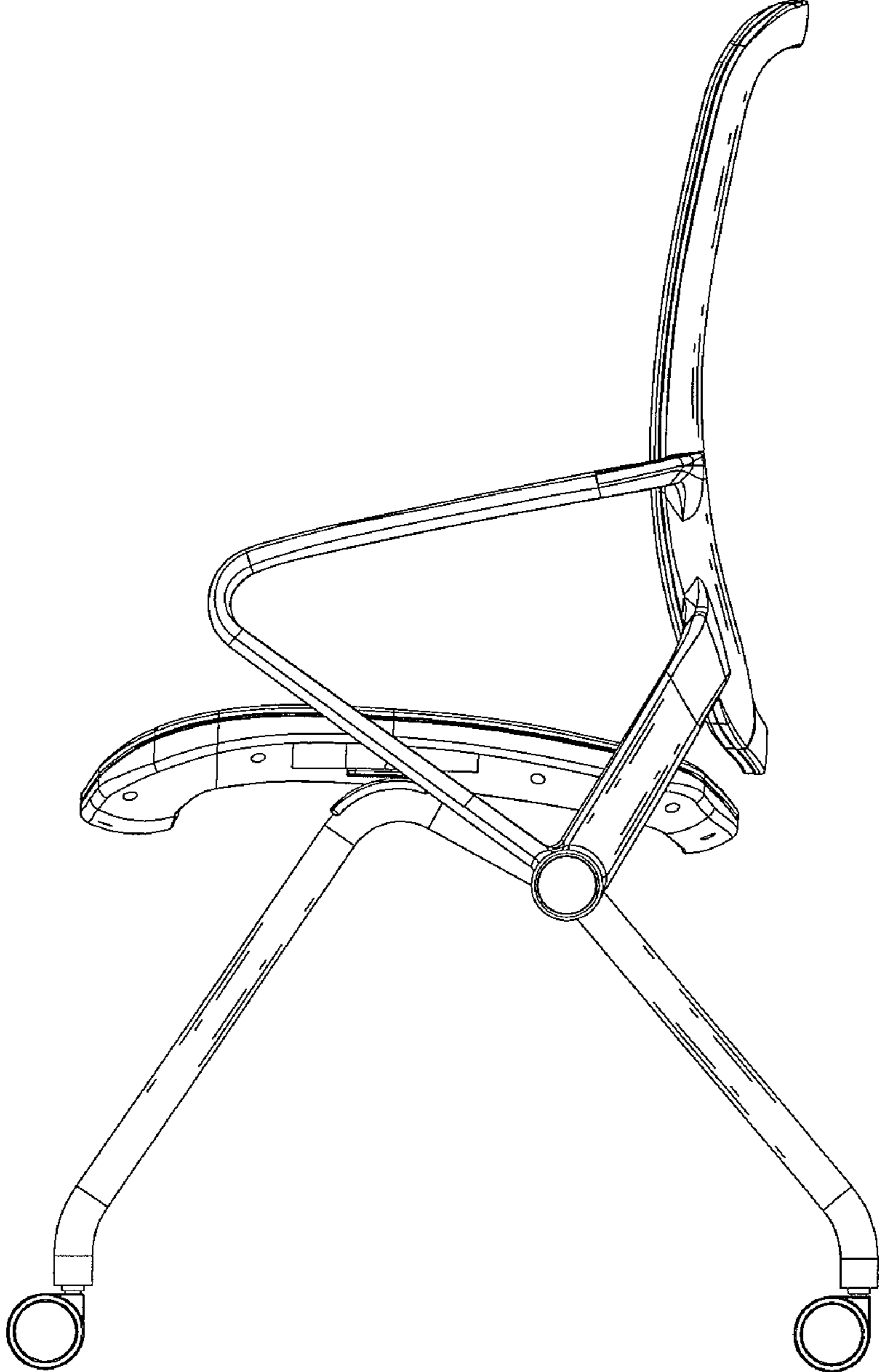


FIG. 4

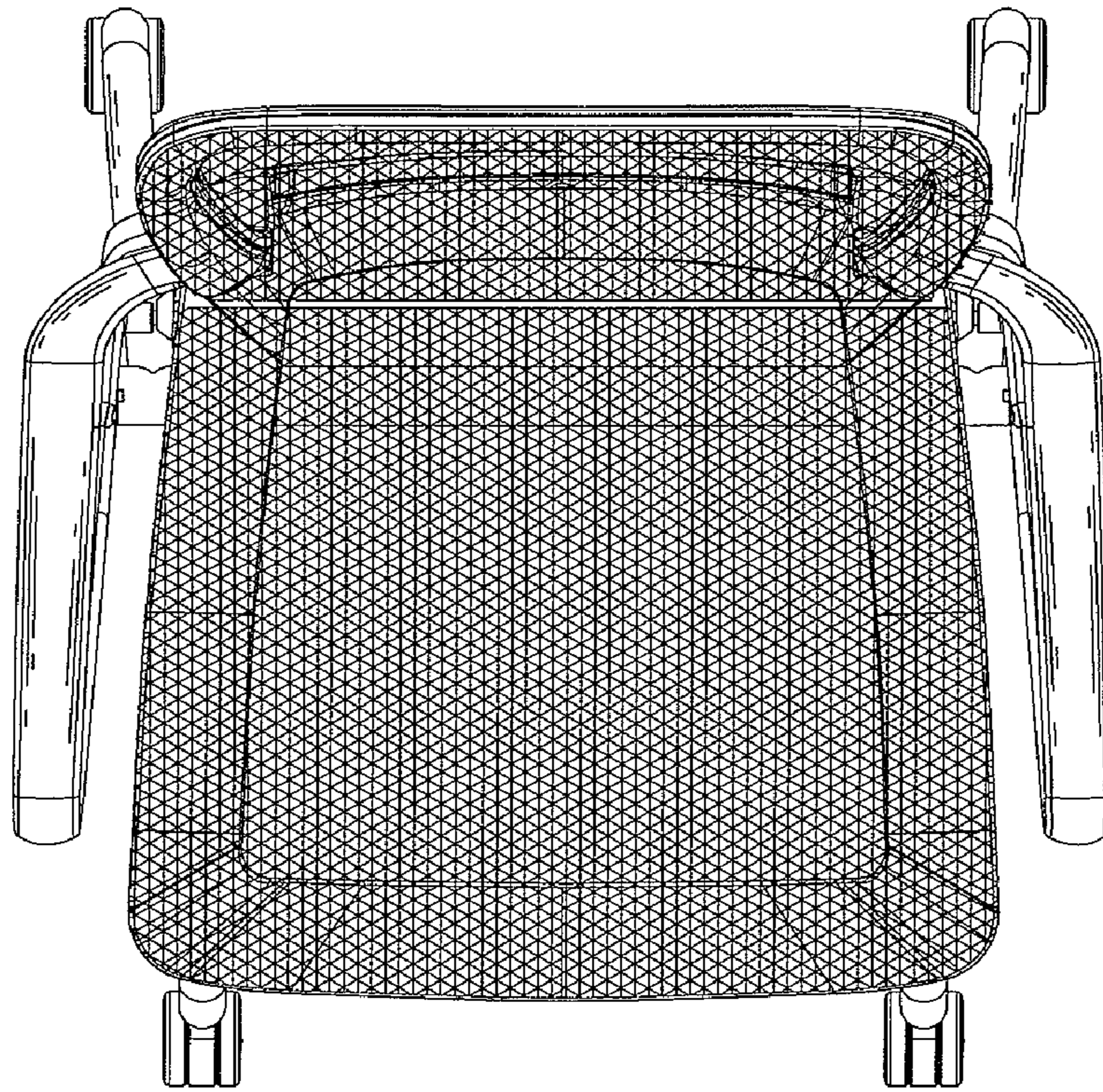


FIG. 5

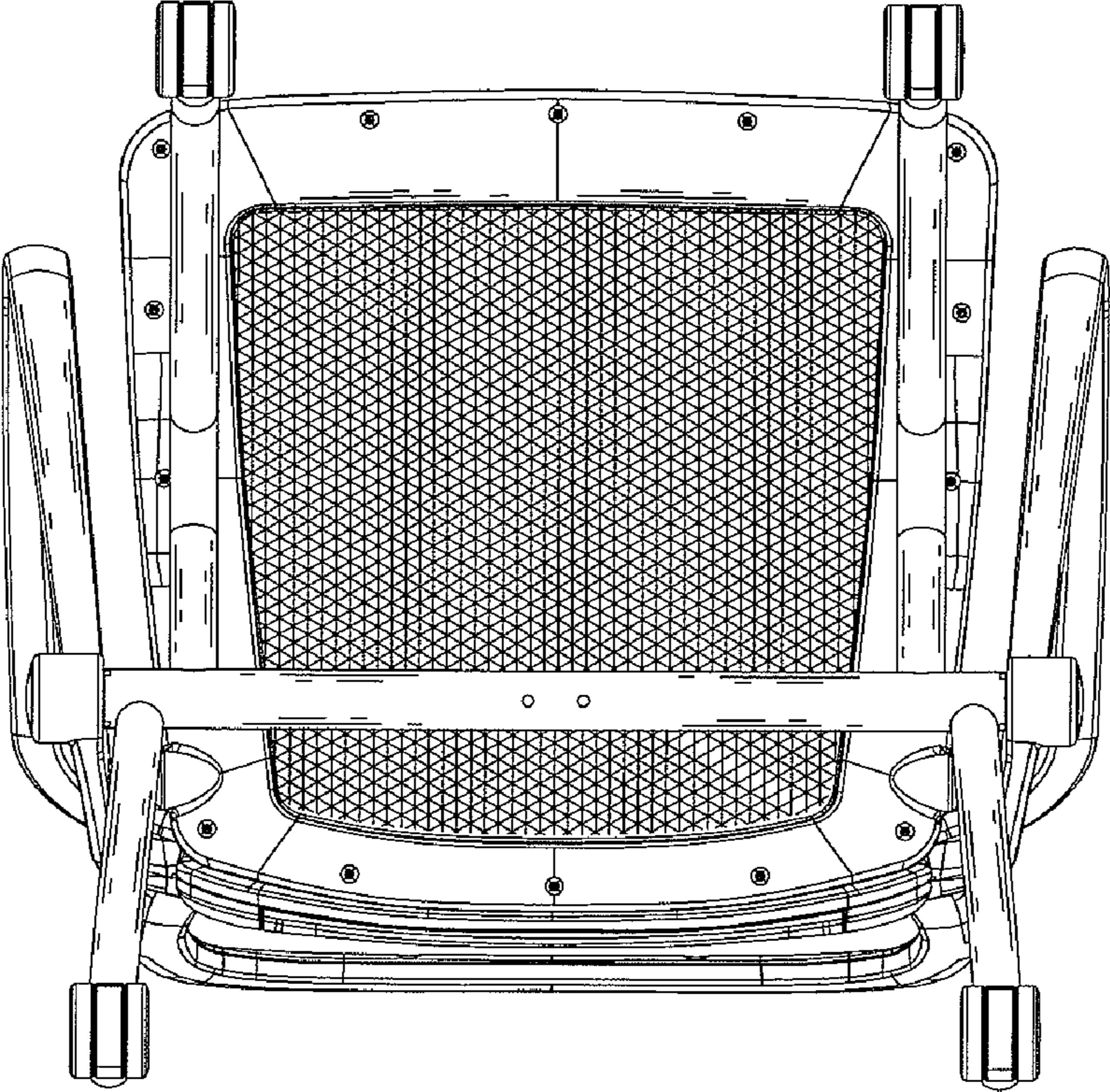


FIG. 6