



US00D661504S

(12) **United States Design Patent**
Saotome

(10) **Patent No.:** **US D661,504 S**
(45) **Date of Patent:** **** Jun. 12, 2012**

(54) **CHAIR**

(75) Inventor: **Hiroshi Saotome**, Kanagawa (JP)

(73) Assignee: **Okamura Corporation**, Yokohama (JP)

(**) Term: **14 Years**

(21) Appl. No.: **29/381,918**

(22) Filed: **Dec. 27, 2010**

(51) **LOC (9) Cl.** **06-01**

(52) **U.S. Cl.** **D6/366**

(58) **Field of Classification Search** D6/334-336,
D6/364, 365, 366, 367, 369, 372, 374, 379,
D6/380, 498, 500-502; 297/284.4, 300.4,
297/411.29, 452.13, 452.18, 452.21, 452.29
See application file for complete search history.

(56) **References Cited**

U.S. PATENT DOCUMENTS

D411,928	S	*	7/1999	Ritch et al.	D6/500
D451,693	S	*	12/2001	Pearce et al.	D6/368
D456,627	S	*	5/2002	Pearce et al.	D6/366
D457,739	S	*	5/2002	Pearce et al.	D6/366
6,679,553	B2	*	1/2004	Batley et al.	297/300.4
D514,833	S	*	2/2006	Kinoshita	D6/366

D550,471	S	*	9/2007	Igarashi	D6/372
D575,542	S	*	8/2008	Igarashi	D6/380
D587,915	S	*	3/2009	Igarashi	D6/366
D592,876	S	*	5/2009	Smith et al.	D6/380
D600,931	S	*	9/2009	Pearson et al.	D6/366
D648,968	S	*	11/2011	Piretti et al.	D6/502

* cited by examiner

Primary Examiner — Mimoso De

(74) *Attorney, Agent, or Firm* — Sughrue Mion, PLLC

(57) **CLAIM**

The ornamental design for a chair, as shown and described.

DESCRIPTION

FIG. 1 is a perspective view from the front side of a chair.
FIG. 2 is a perspective view from the rear side thereof.
FIG. 3 is a front elevation view thereof.
FIG. 4 is a rear elevation view thereof.
FIG. 5 is a left side elevation view thereof.
FIG. 6 is a right side elevation view thereof.
FIG. 7 is a top plan view thereof.
FIG. 8 is a bottom plan view thereof.
FIG. 9 is a sectional view of Line 9-9 in FIG. 3; and,
FIG. 10 is a sectional view of Line 10-10 in FIG. 6.

1 Claim, 10 Drawing Sheets

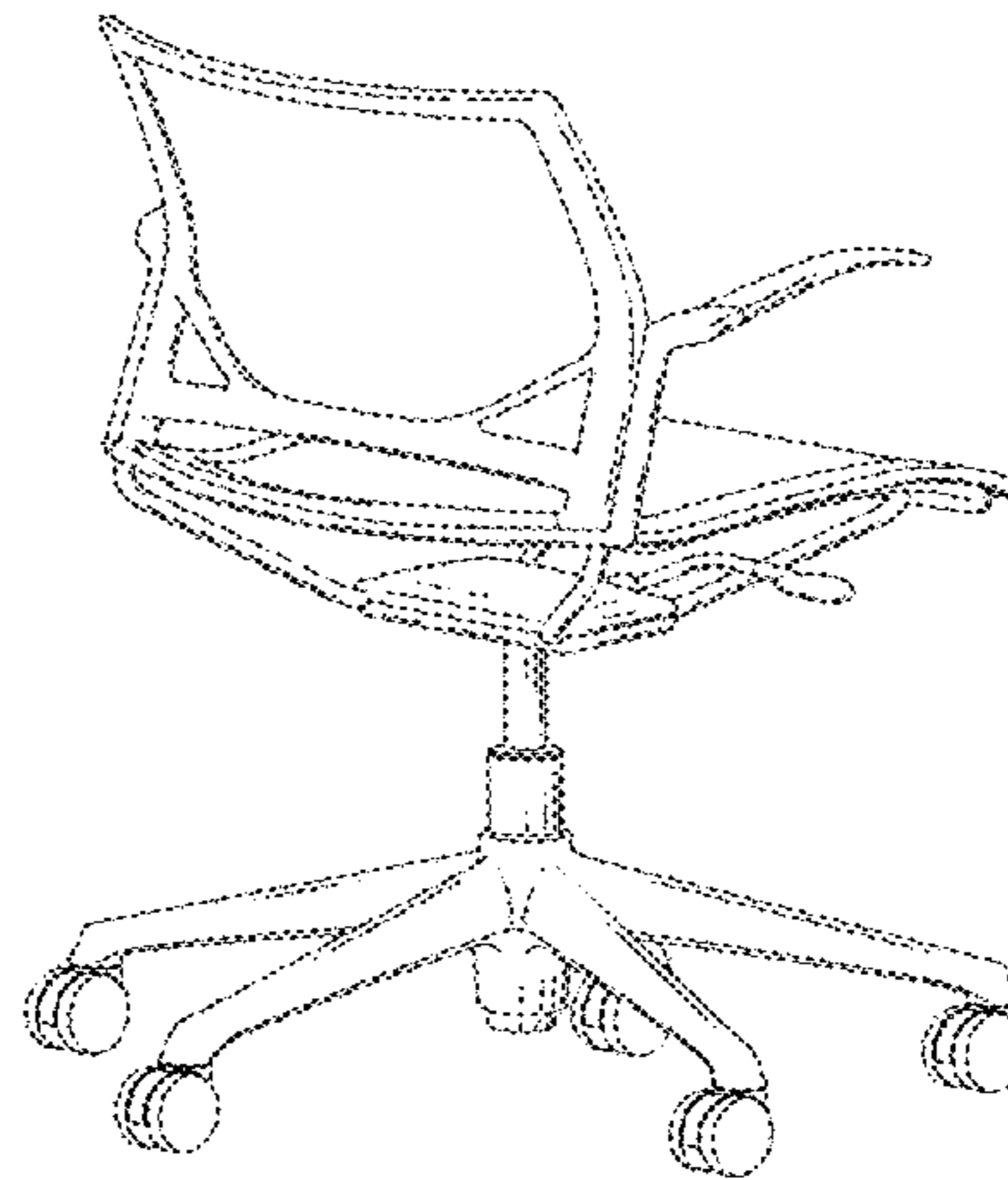
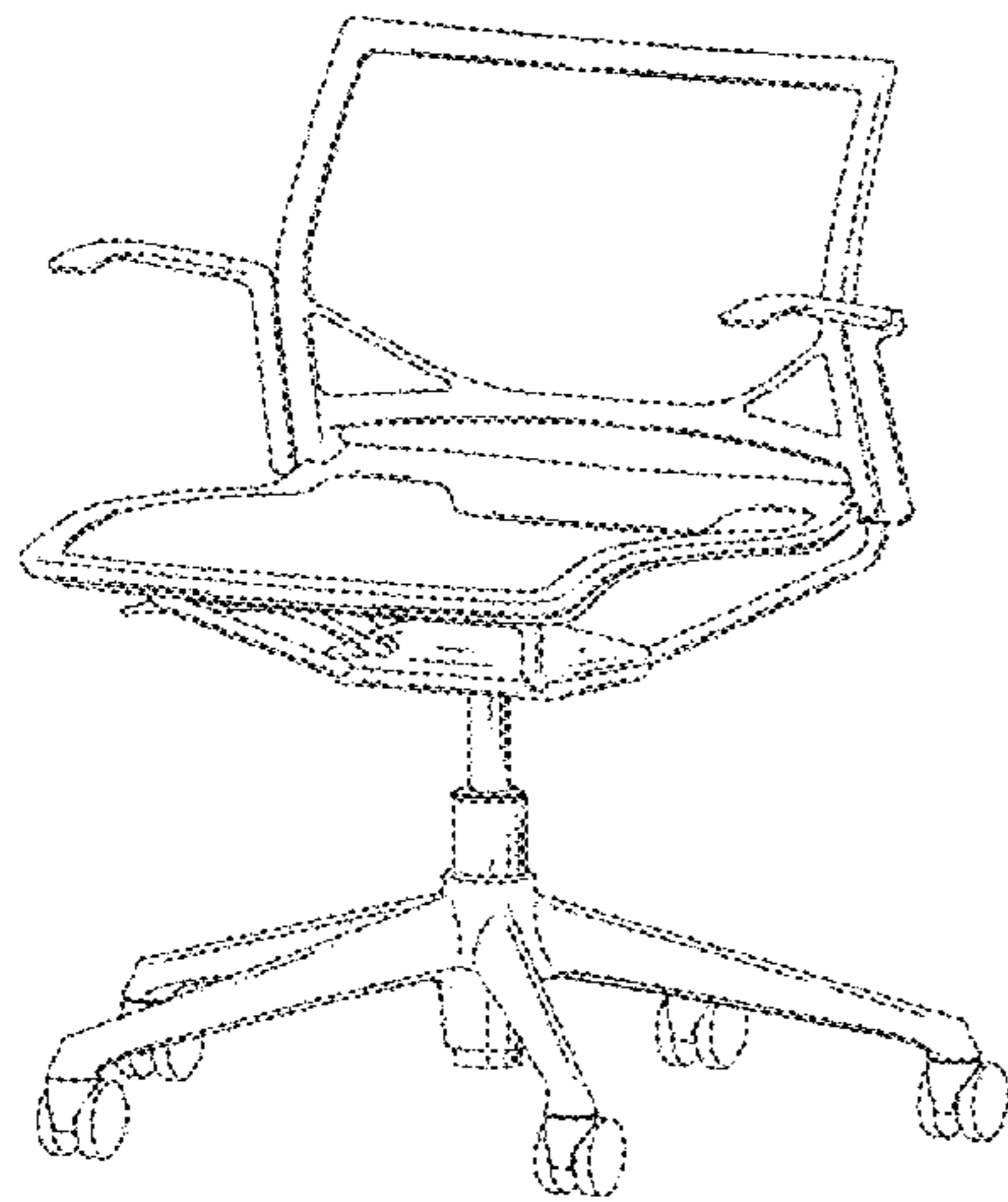


FIG. 1



FIG. 2



FIG. 3

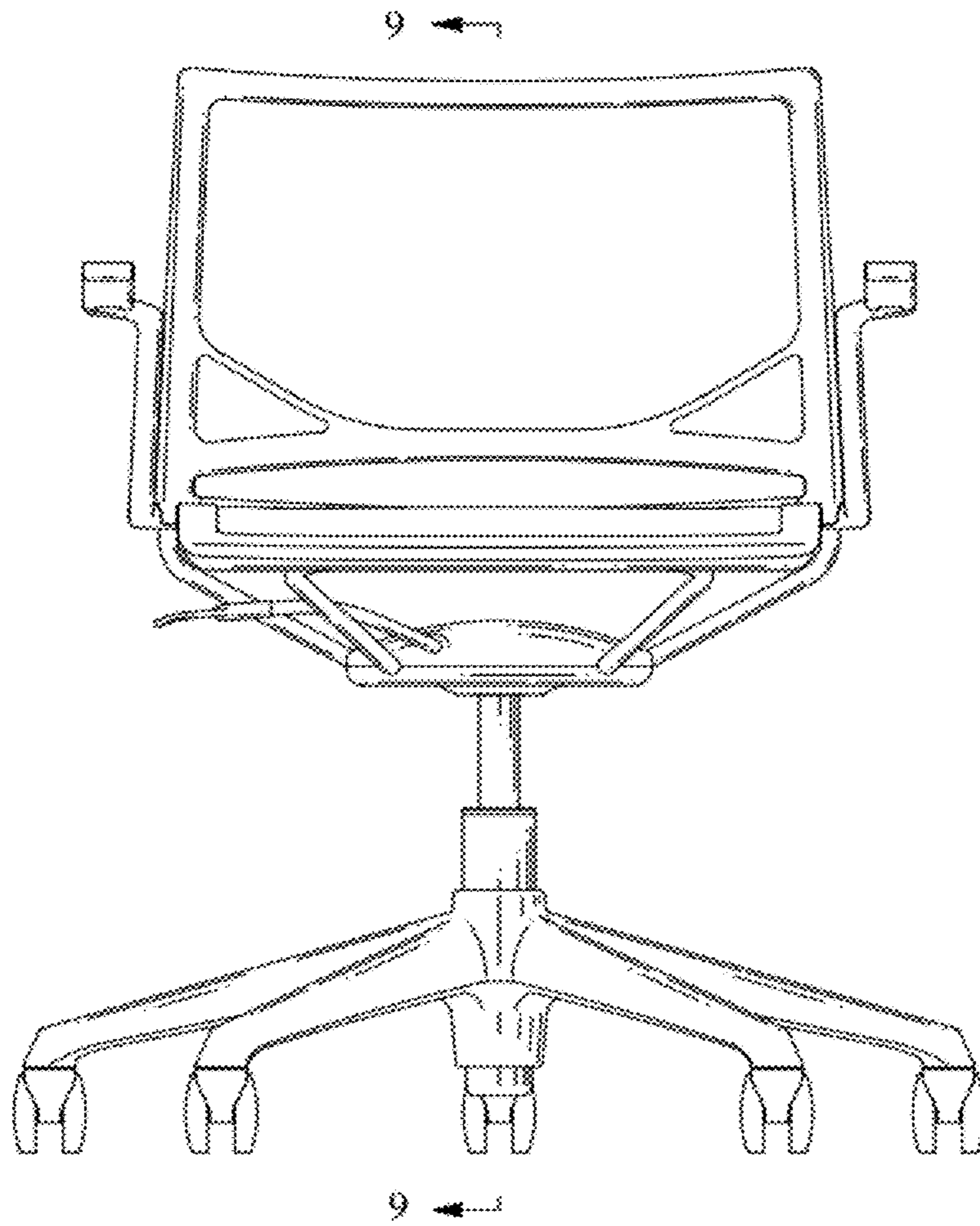


FIG. 4

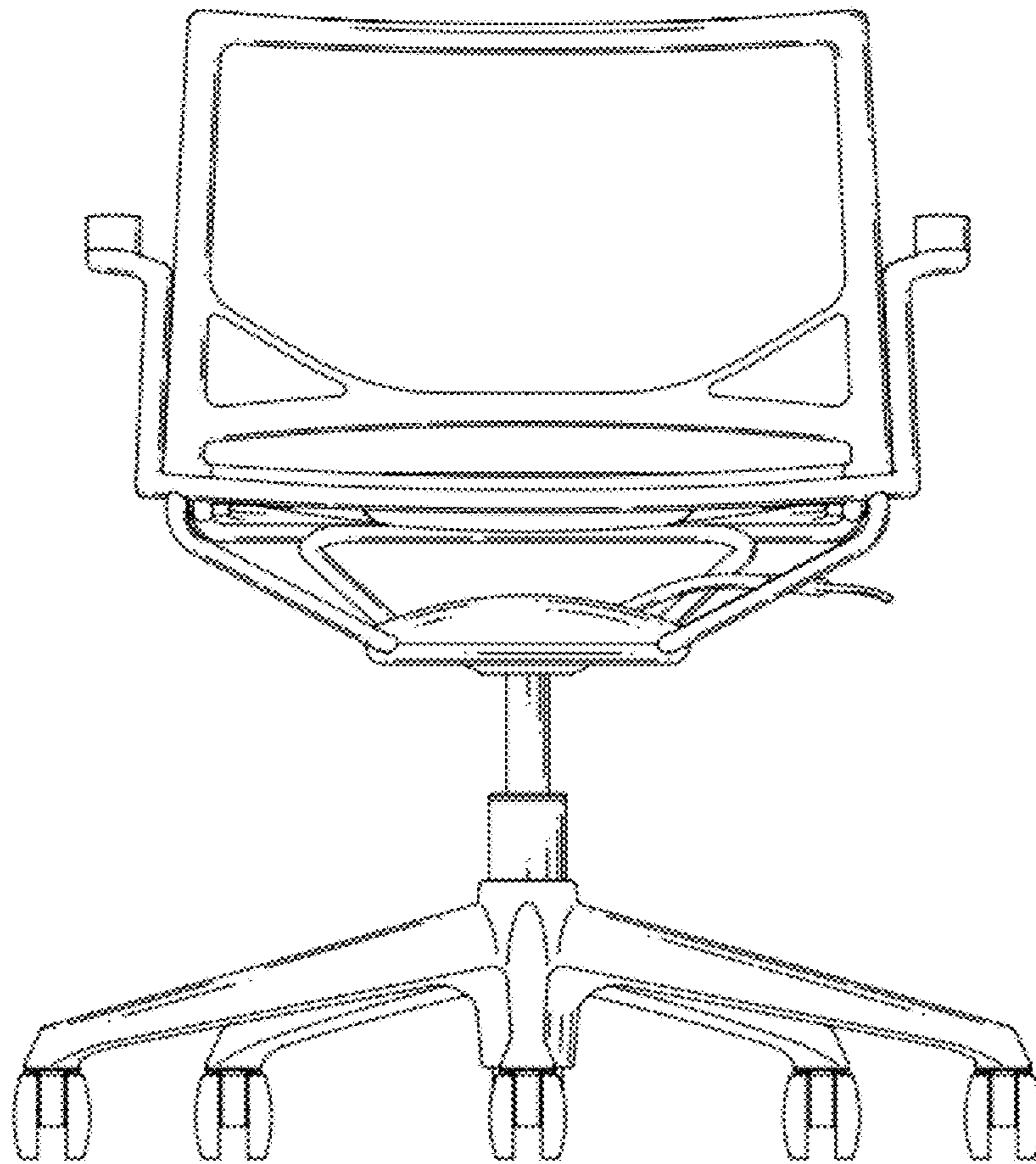


FIG. 5

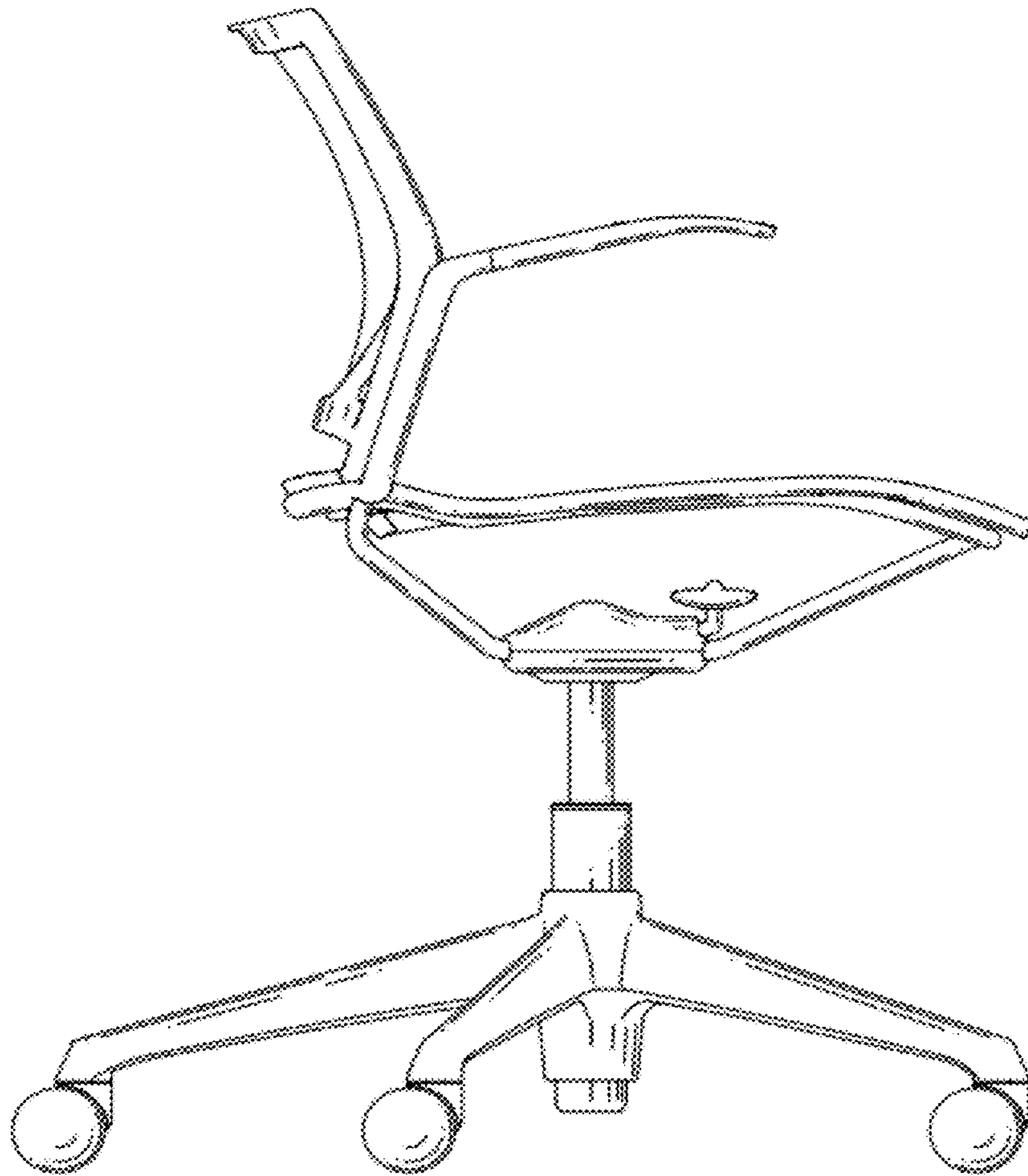


FIG. 6

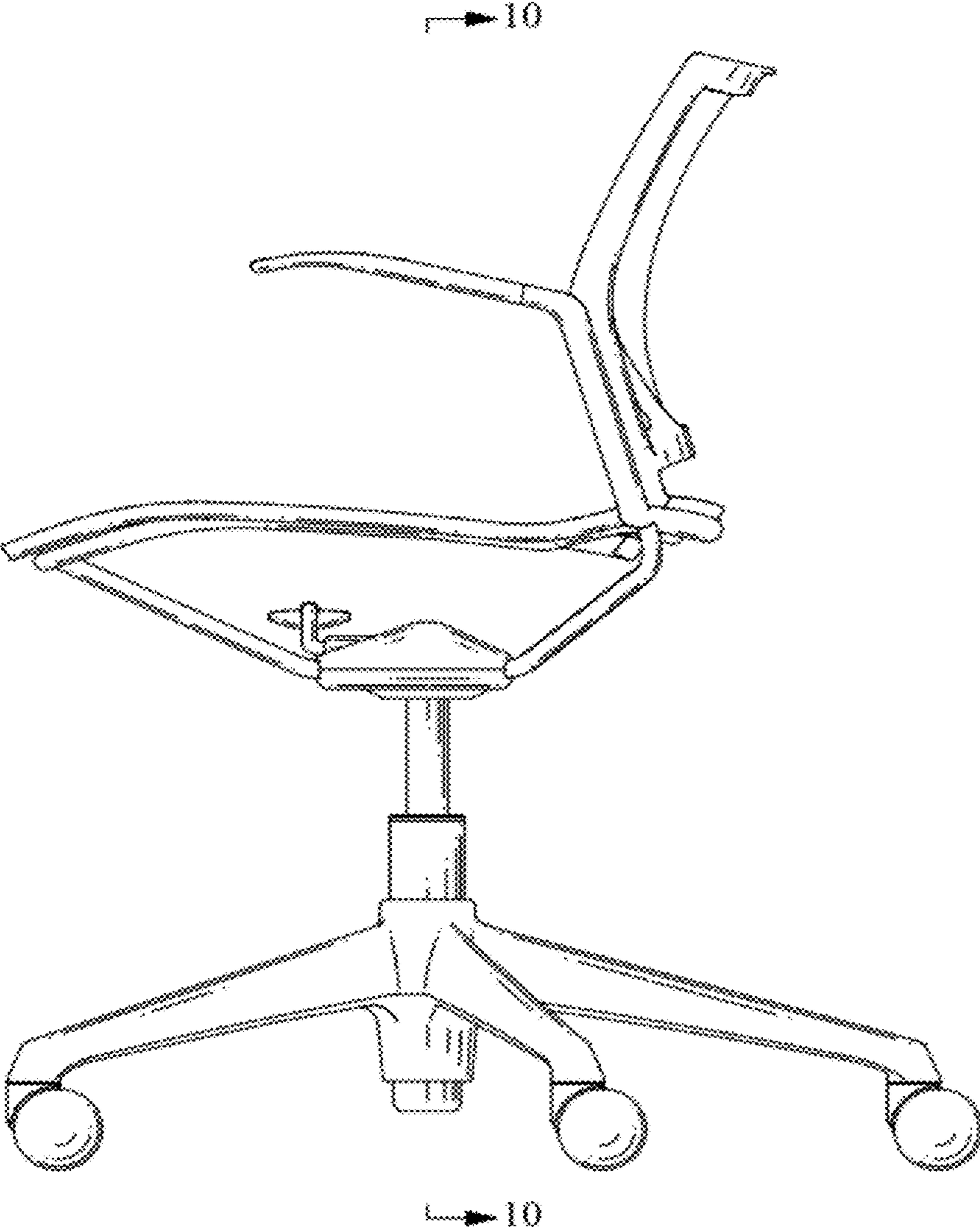


FIG. 7

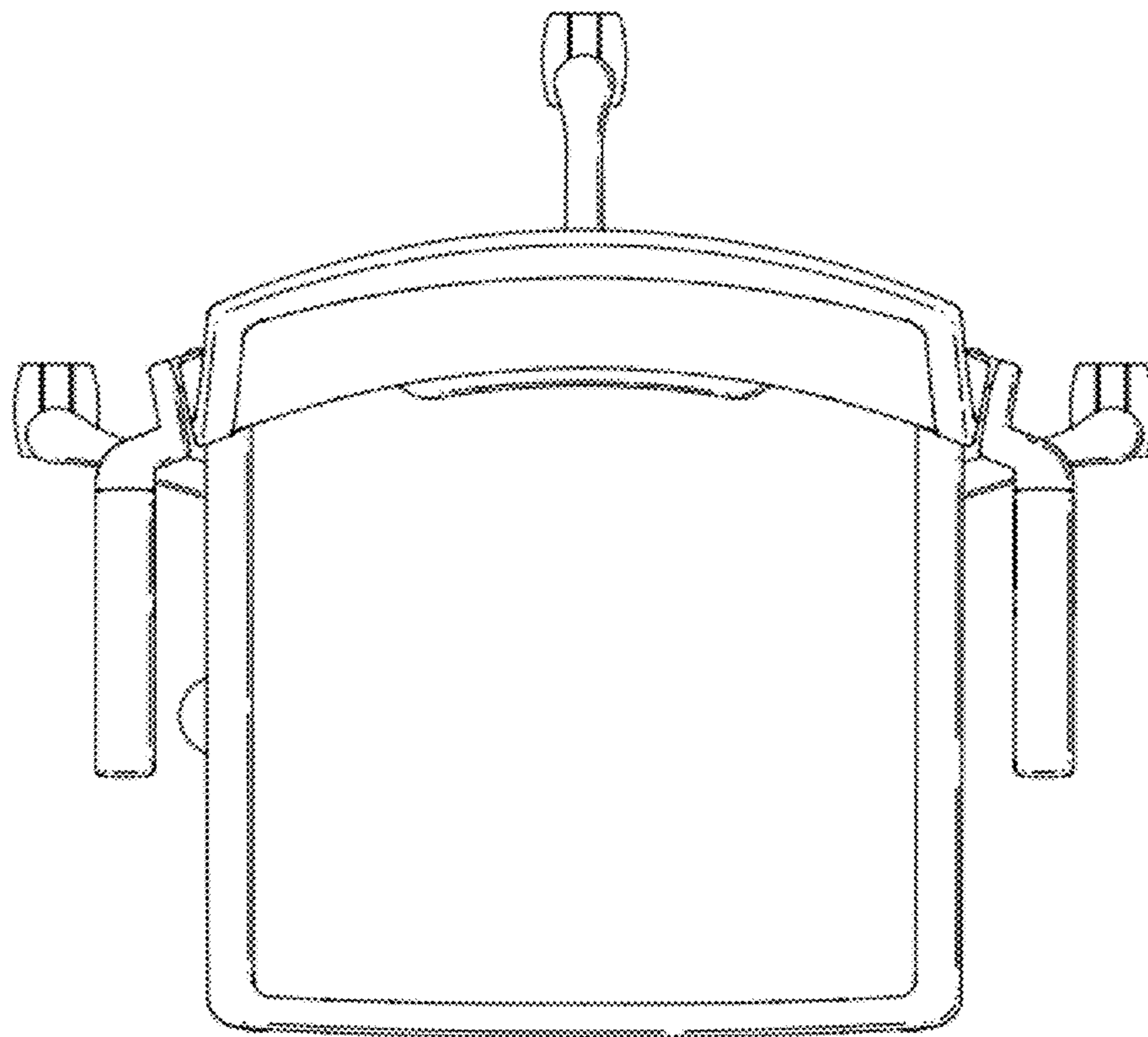


FIG. 8

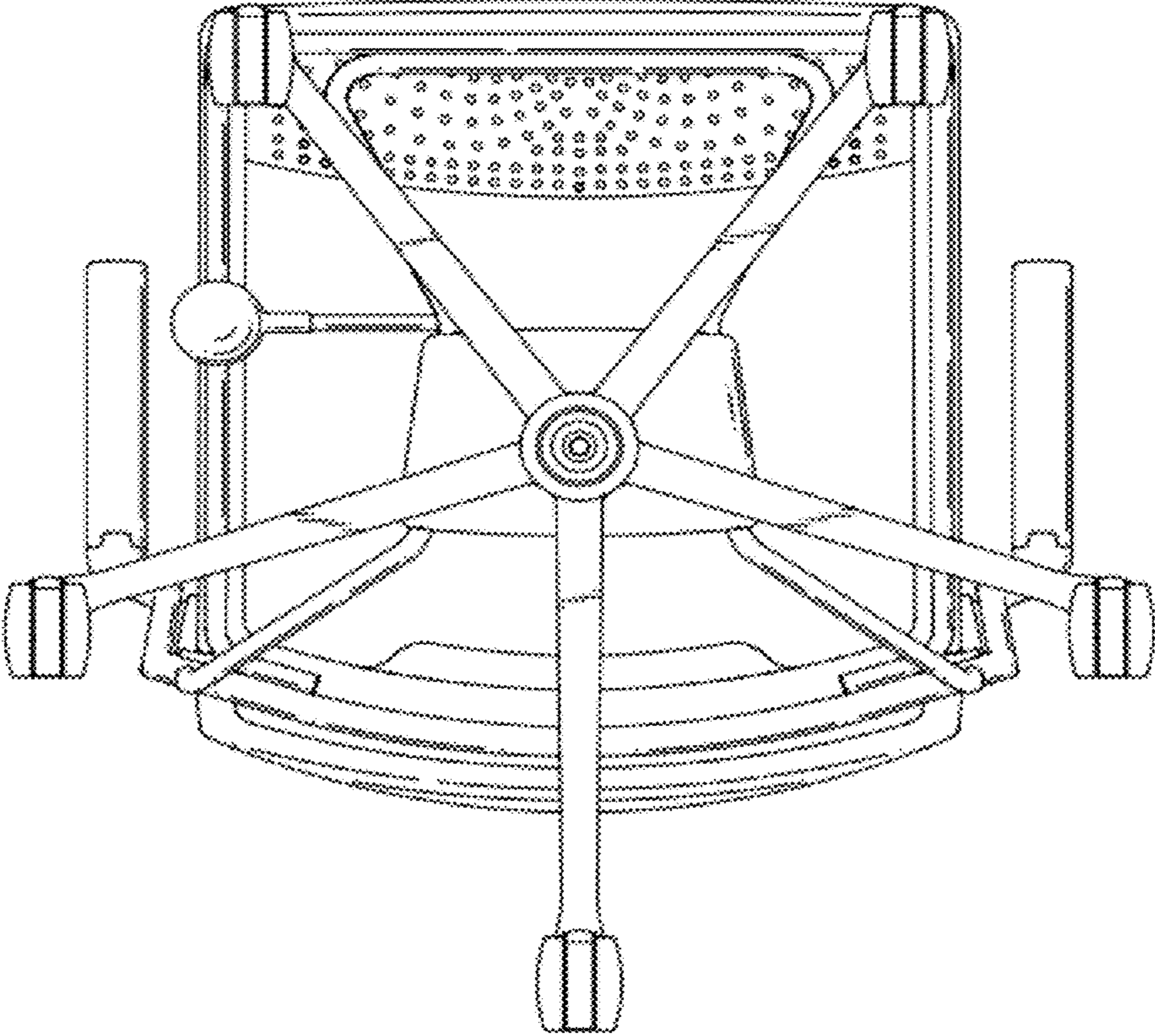


FIG. 9

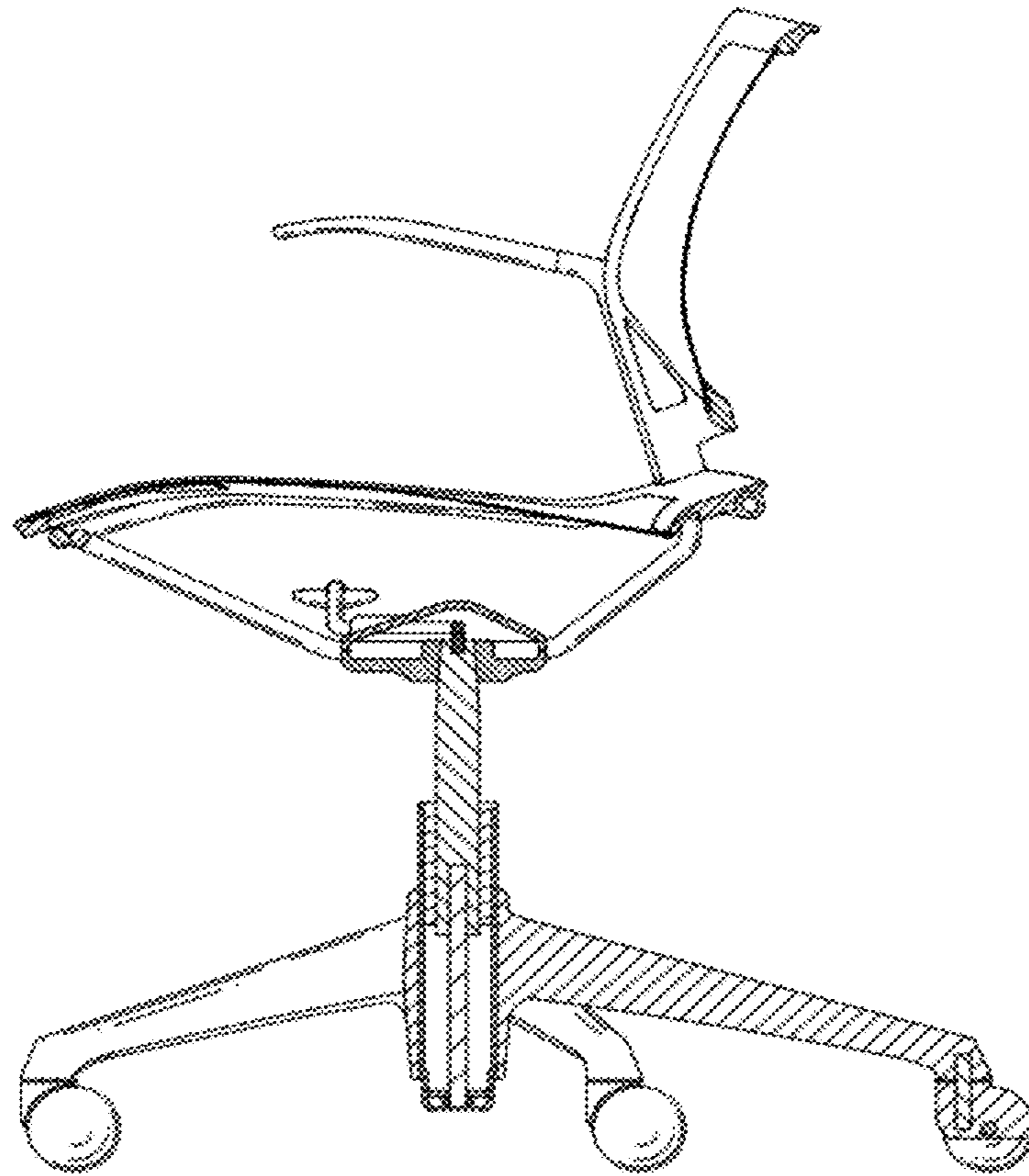


FIG. 10

