



US00D661503S

(12) **United States Design Patent**
Morgan

(10) **Patent No.:** **US D661,503 S**
(45) **Date of Patent:** **** Jun. 12, 2012**

(54) **WHEELCHAIR**

(76) Inventor: **Sophie Morgan**, London (GB)

(**) Term: **14 Years**

(21) Appl. No.: **29/361,651**

(22) Filed: **May 13, 2010**

(30) **Foreign Application Priority Data**

Nov. 17, 2009 (GB) 4013261

(51) **LOC (9) Cl.** **06-01**

(52) **U.S. Cl.** **D6/358**

(58) **Field of Classification Search** D6/334,
D6/335, 336, 358, 374, 375, 376, 379, 380,
D6/500-502; D12/128, 131; 280/42, 250.1,
280/642, 650; 297/181, 445.1, 446.1, 451.11,
297/452.19

See application file for complete search history.

(56) **References Cited**

U.S. PATENT DOCUMENTS

4,676,519 A * 6/1987 Meier 280/250.1
D314,537 S * 2/1991 Raney D12/131
5,328,183 A * 7/1994 Counts 280/42
5,356,172 A * 10/1994 Levy et al. 280/650

D352,684 S * 11/1994 Smith et al. D12/131
6,264,218 B1 * 7/2001 Slagerman 280/250.1
D451,435 S * 12/2001 Schlangen et al. D12/131
7,384,058 B2 * 6/2008 Munsey et al. 280/642
7,425,007 B2 * 9/2008 Johannes de Kruijf 280/250.1

* cited by examiner

Primary Examiner — Mimosa De

(74) *Attorney, Agent, or Firm* — Notaro, Michalos & Zaccaria P.C.

(57) **CLAIM**

The ornamental design for a wheelchair, as shown and described.

DESCRIPTION

FIG. 1 is a side elevational view of a wheelchair showing my new design therefor;
FIG. 2 is a front elevational view thereof;
FIG. 3 is a rear elevational view thereof;
FIG. 4 is a top front perspective view thereof;
FIG. 5 is a top plan perspective view thereof;
FIG. 6 is a front right perspective view thereof;
FIG. 7 is a front left perspective view thereof;
FIG. 8 is a rear left perspective view thereof;
FIG. 9 is a rear right perspective view thereof; and,
FIG. 10 is a right side elevational view thereof.

1 Claim, 10 Drawing Sheets

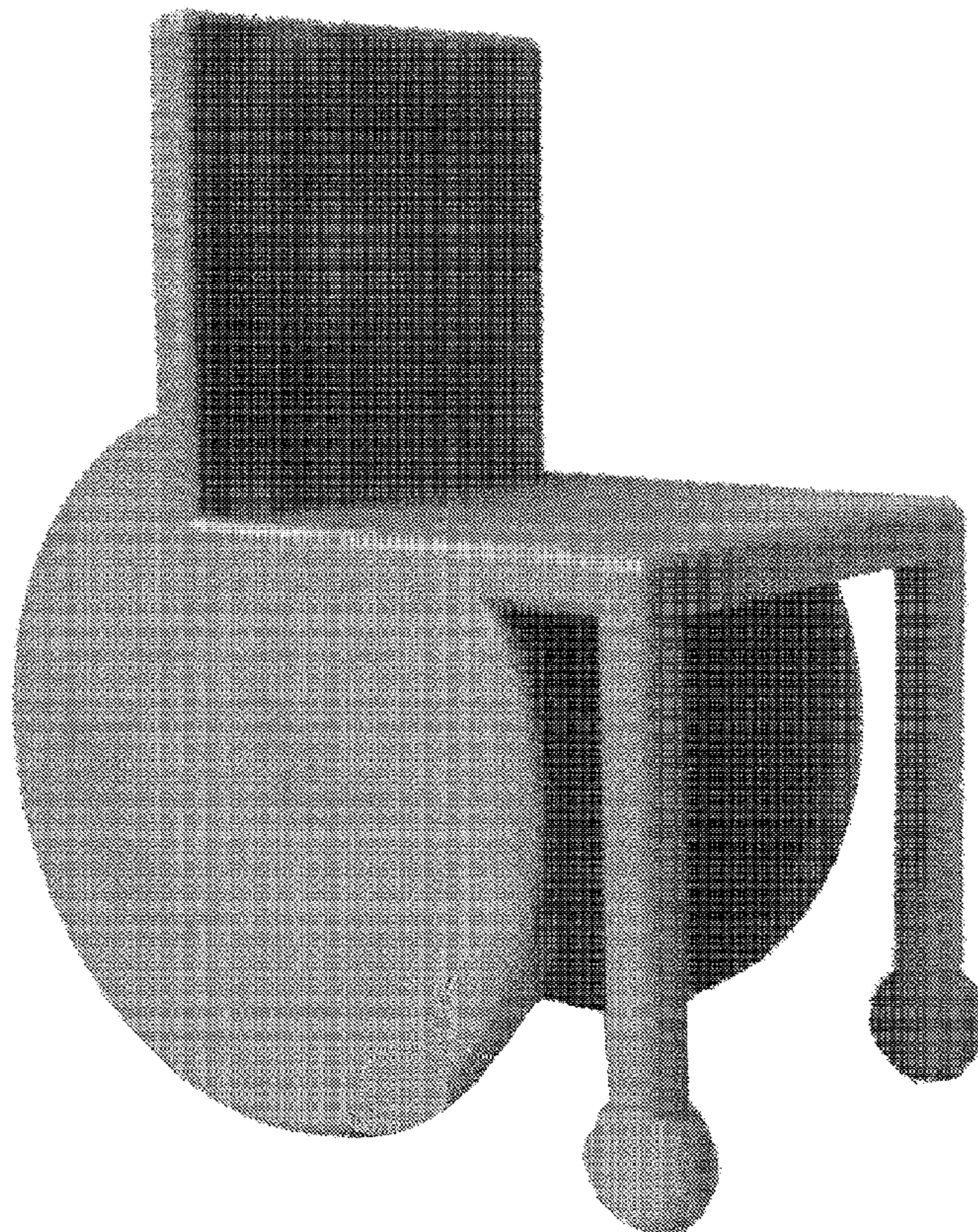
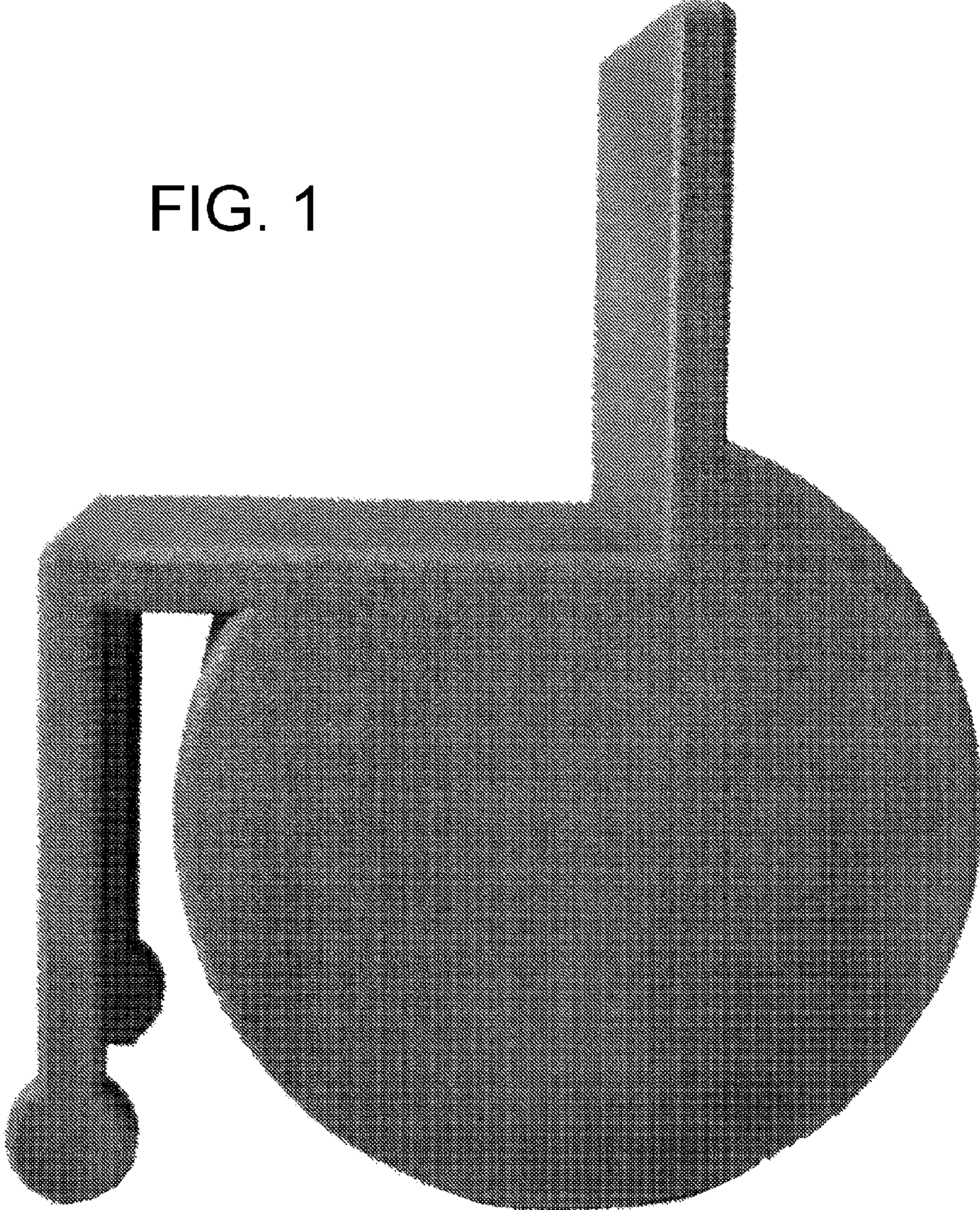


FIG. 1



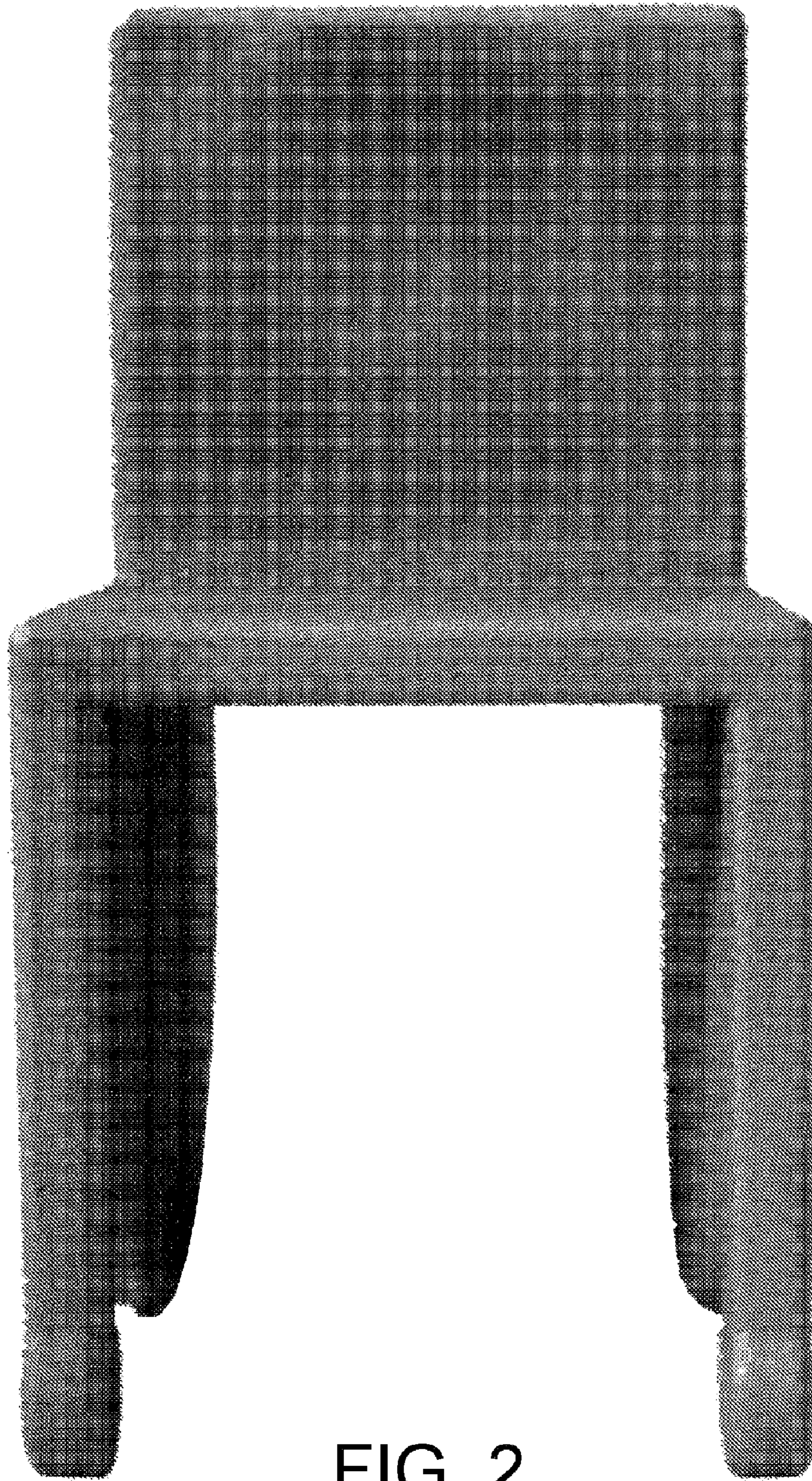


FIG. 2

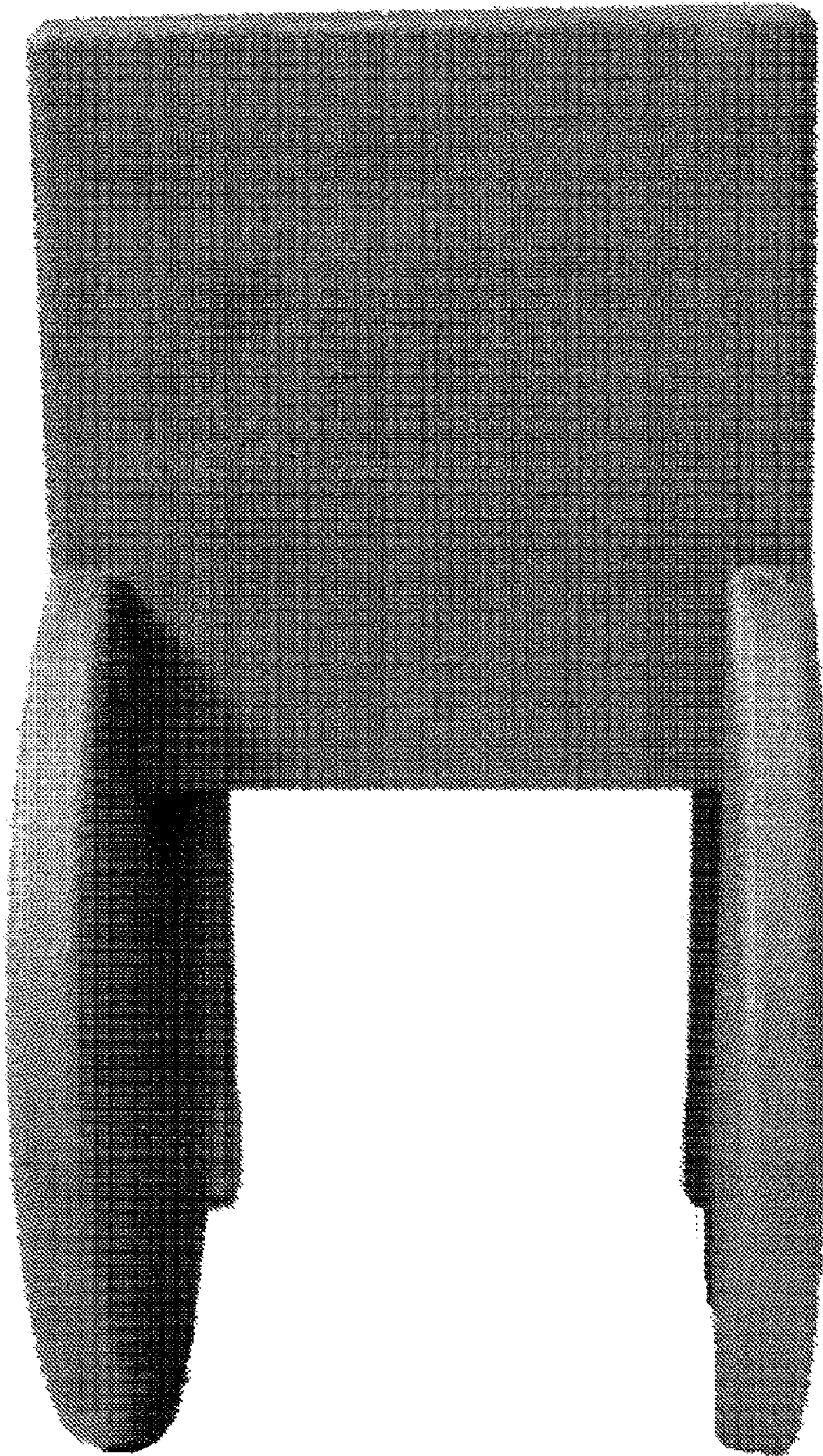


FIG. 3

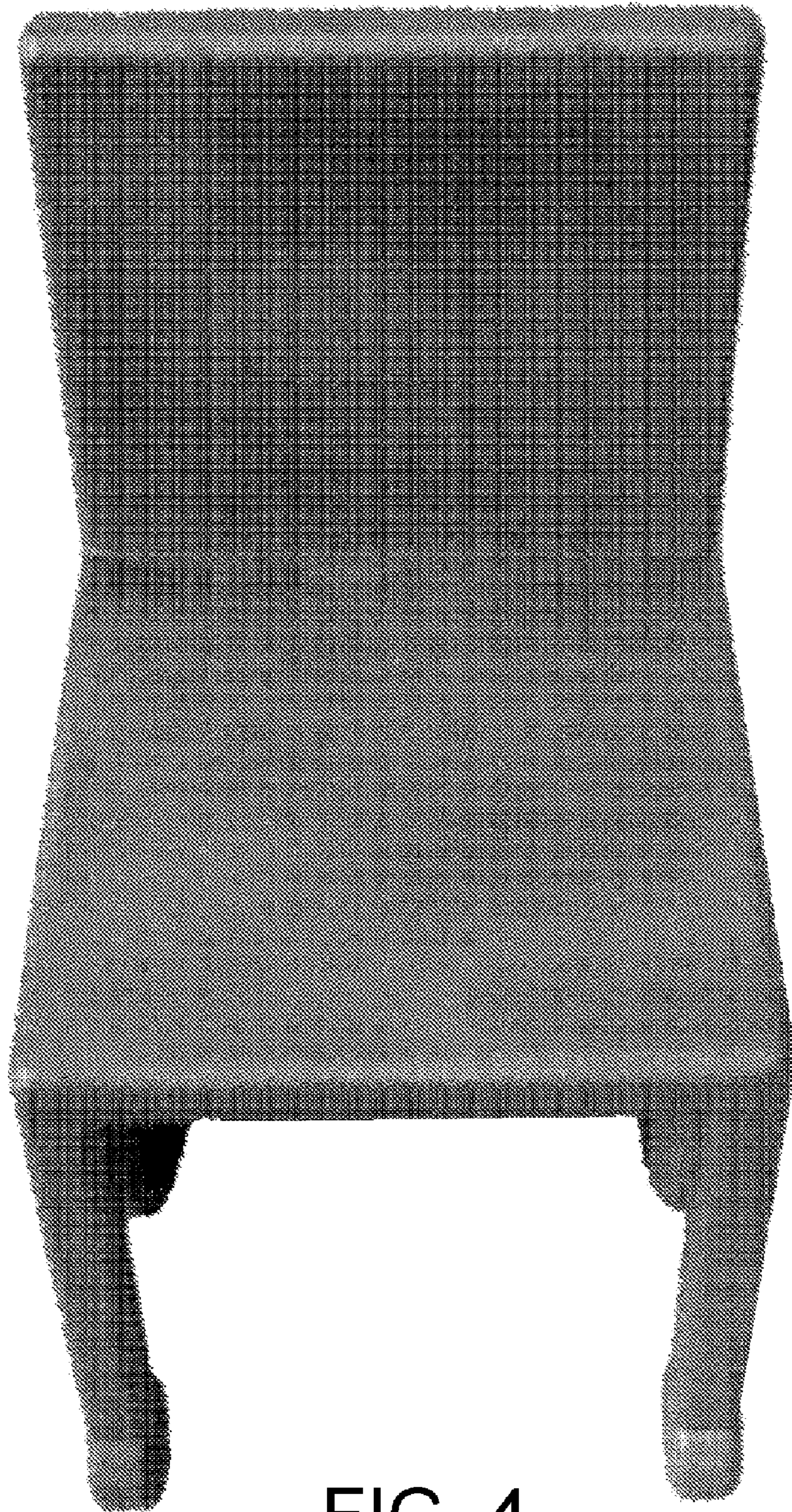


FIG. 4

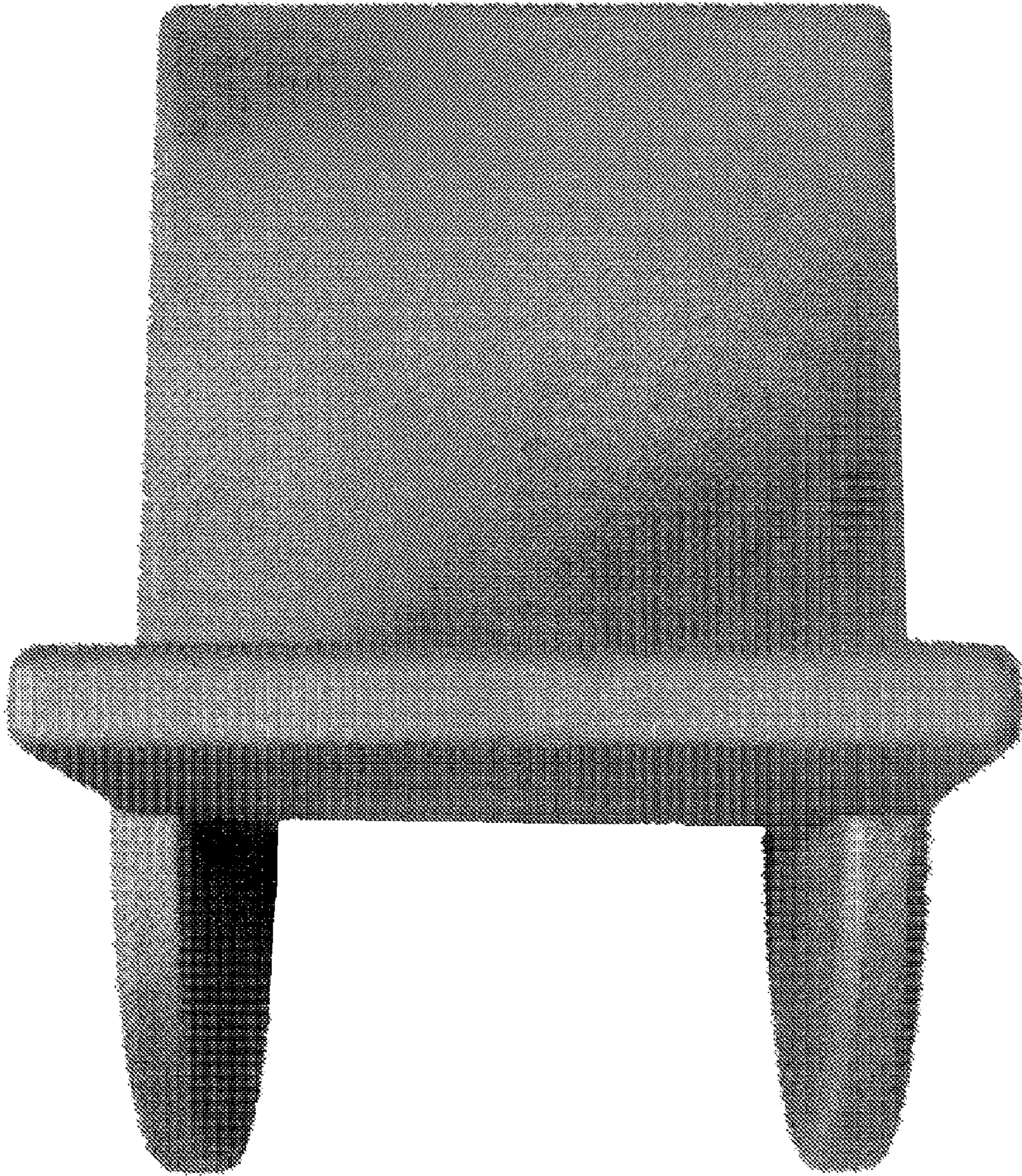


FIG. 5

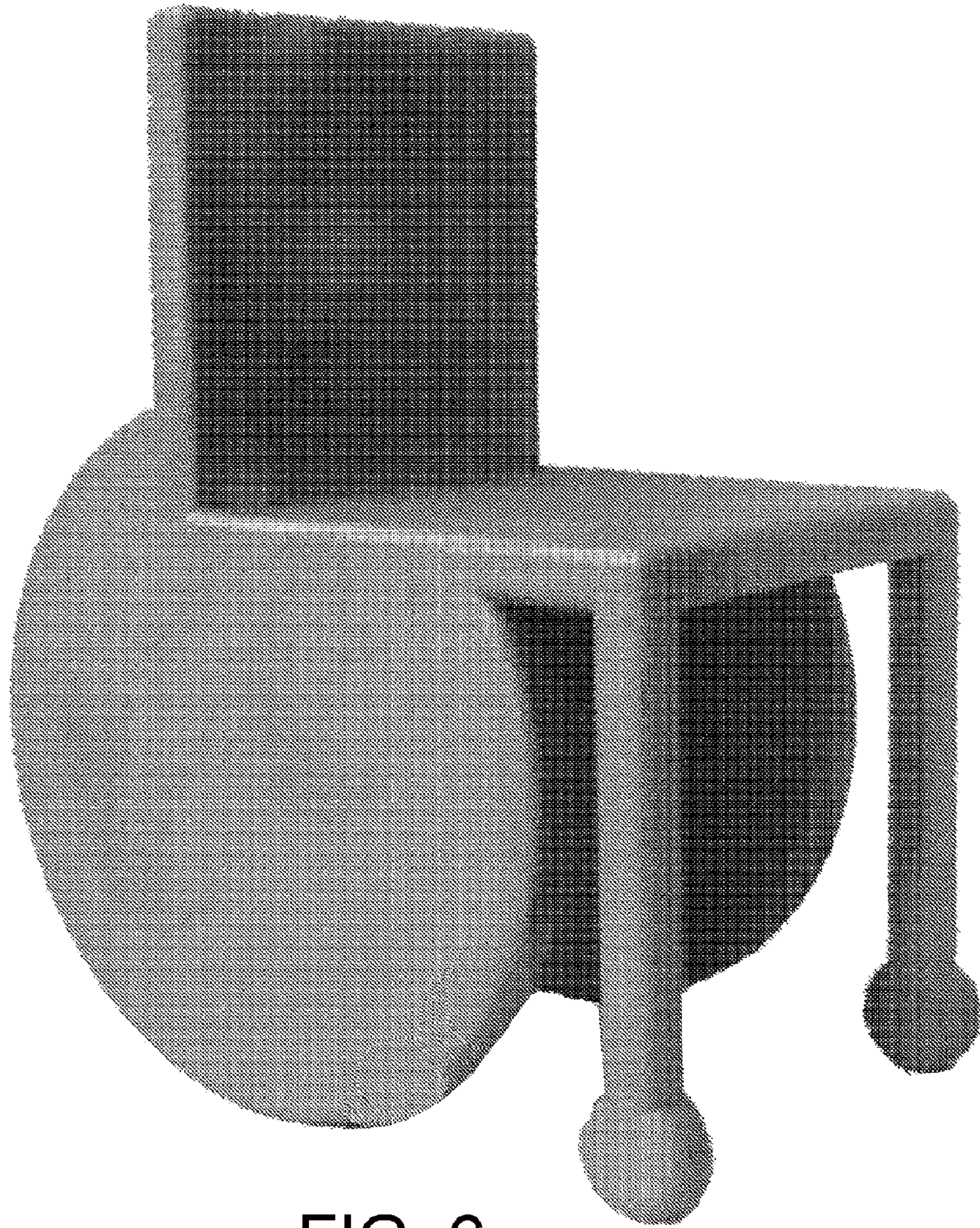


FIG. 6

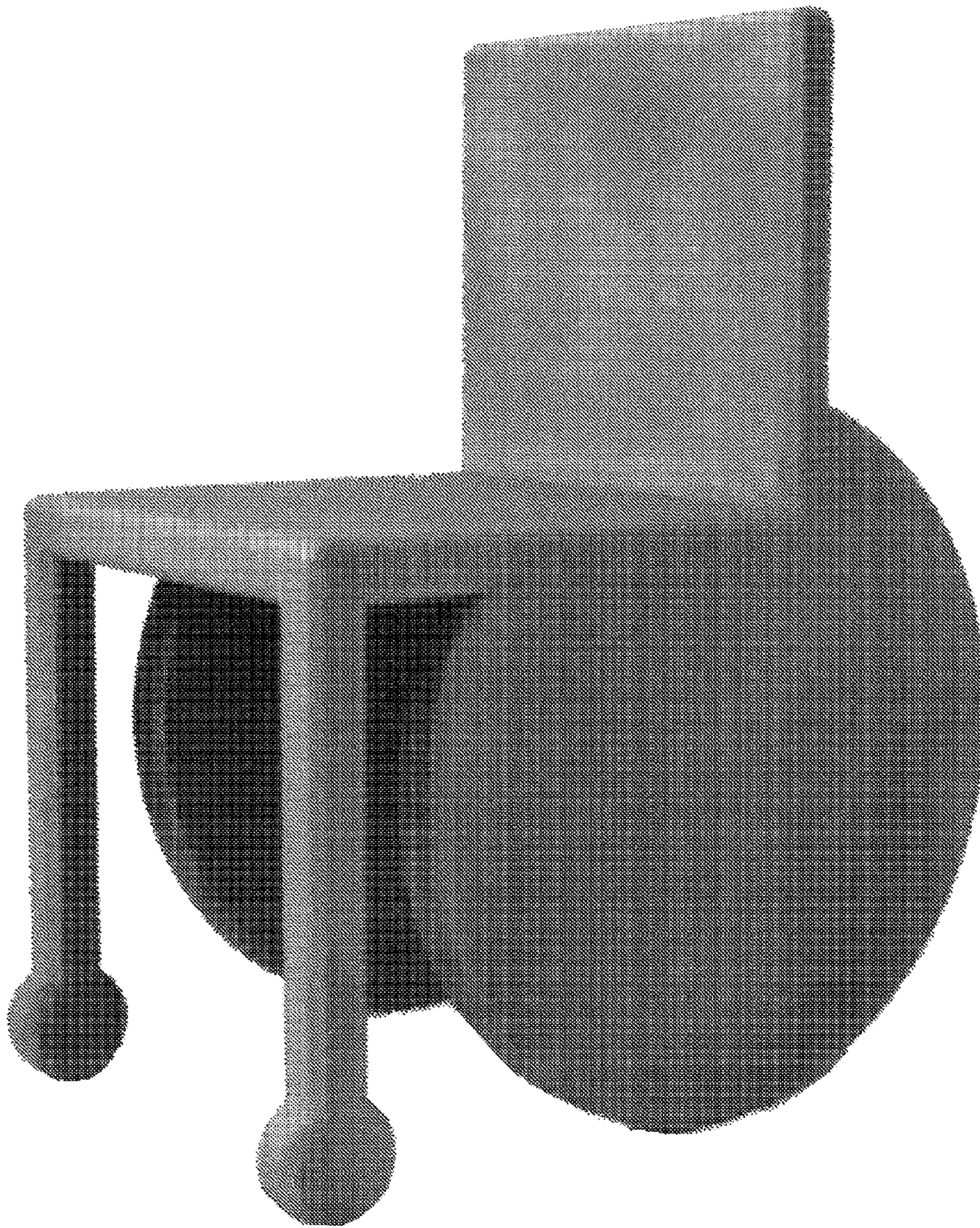


FIG. 7

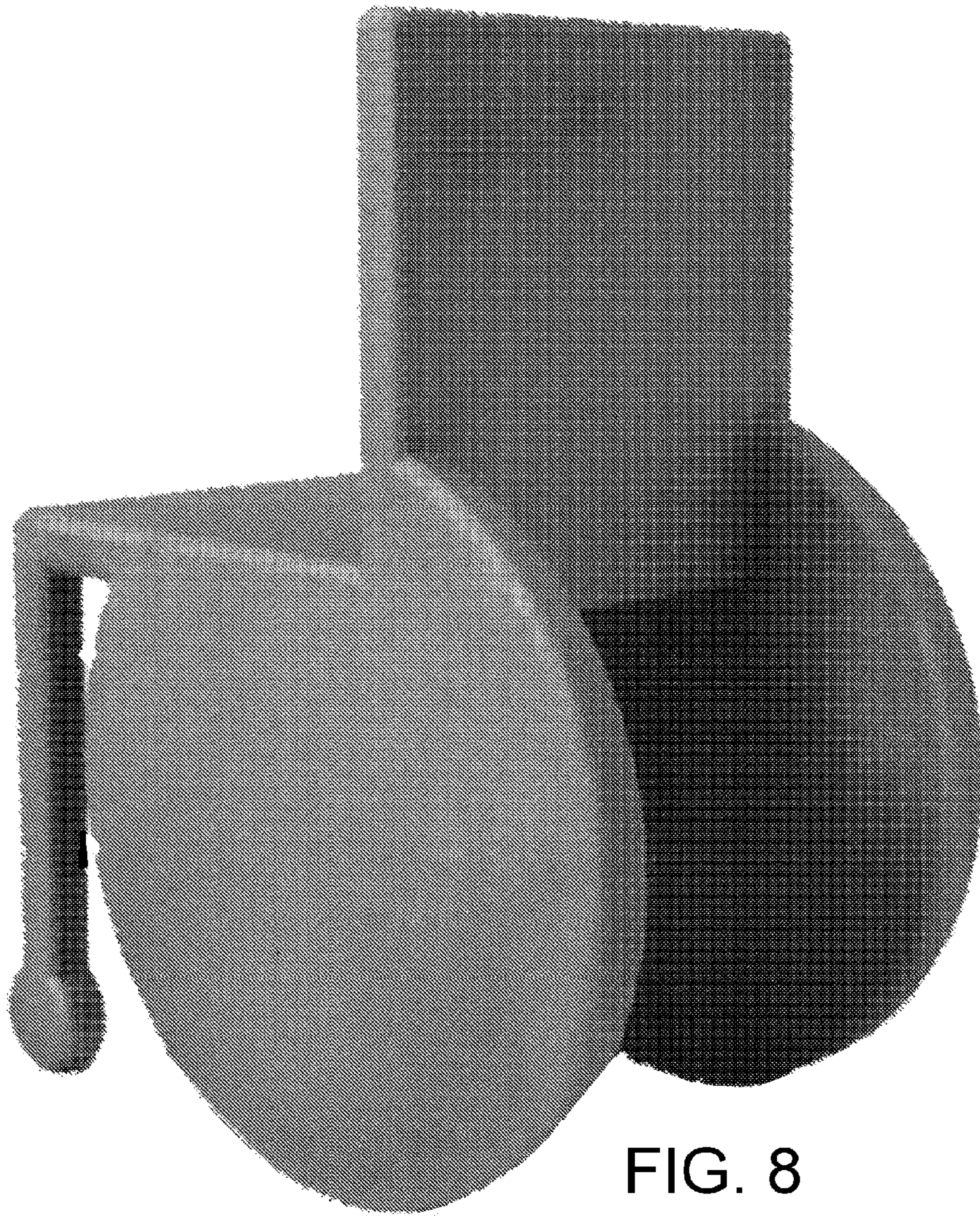


FIG. 8

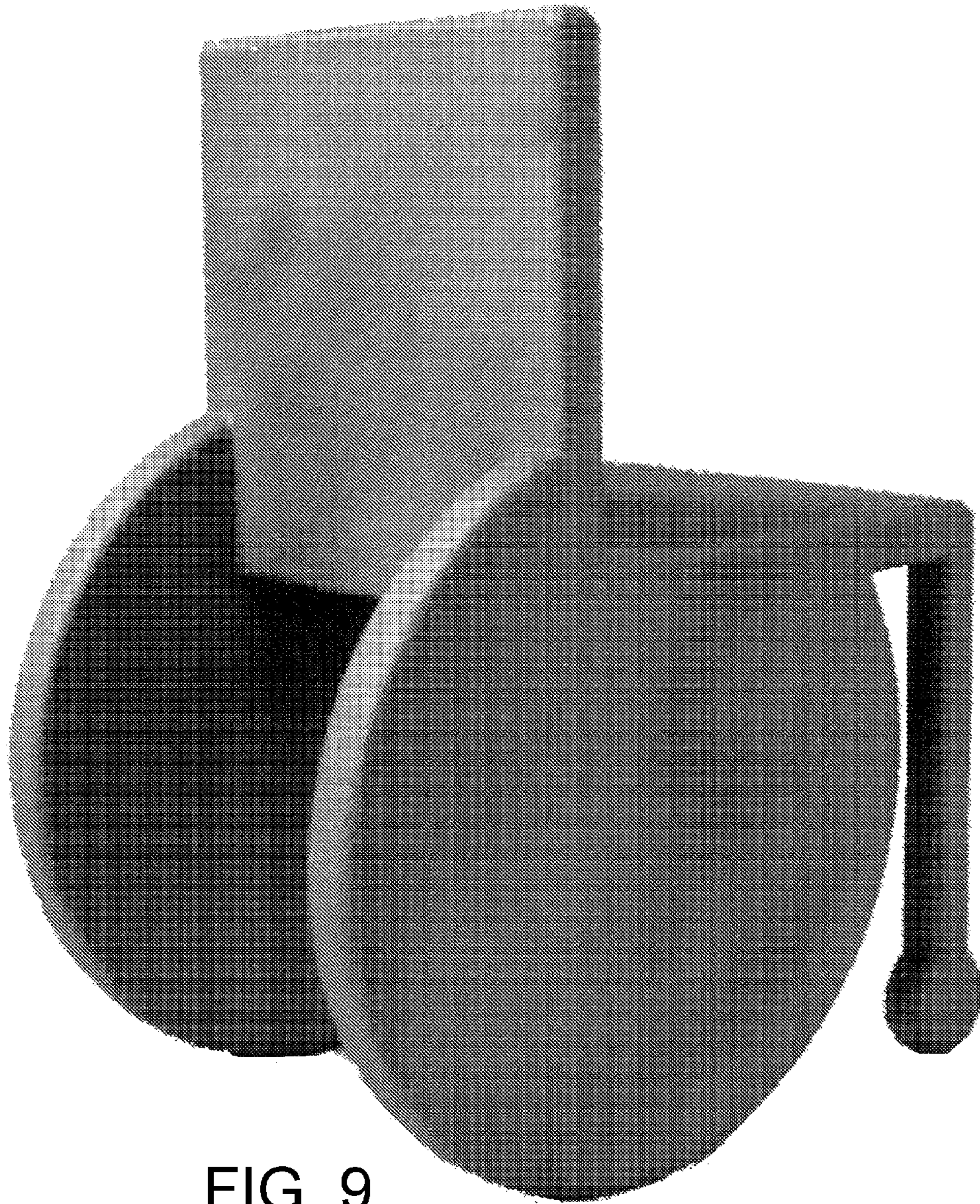


FIG. 9

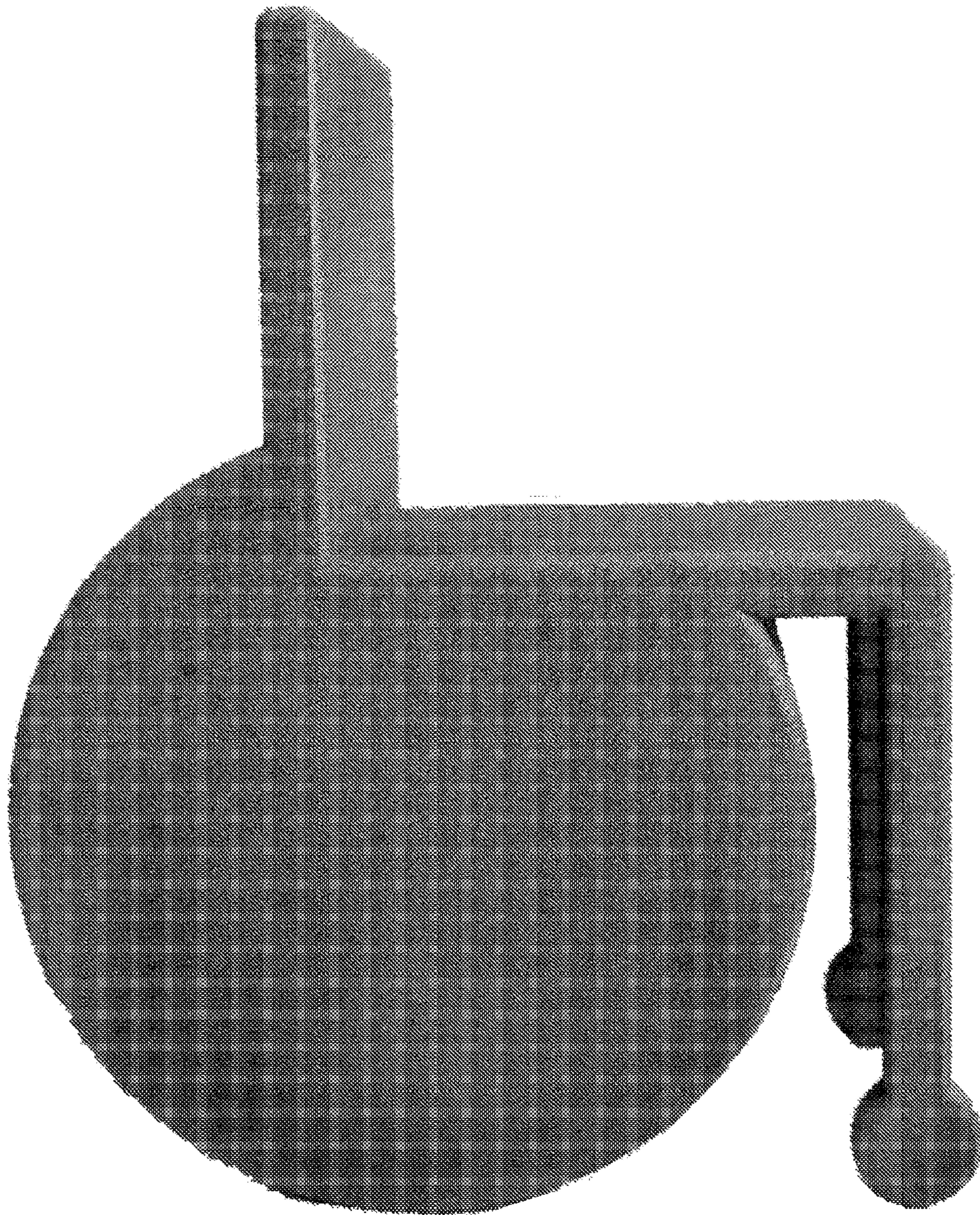


FIG. 10