



US00D661502S

(12) **United States Design Patent**  
**Slayton**

(10) **Patent No.:** **US D661,502 S**  
(45) **Date of Patent:** **\*\* Jun. 12, 2012**

- (54) **RECLINED SWING**
- (76) Inventor: **Berry Slayton, Churubusco, IN (US)**
- (\*\*) Term: **14 Years**
- (21) Appl. No.: **29/380,183**
- (22) Filed: **Dec. 1, 2010**
- (51) **LOC (9) Cl.** ..... **06-01**
- (52) **U.S. Cl.** ..... **D6/344**
- (58) **Field of Classification Search** ..... D6/334–336,  
D6/344–347, 360–380, 498, 500–502, 601;  
297/31, 35, 184.1, 188.14, 281, 284.4–284.5,  
297/291, 297, 411.2, 411.27–411.29, 440.13,  
297/440.19, 452.13, 452.19, 452.21, 452.29,  
297/452.3, 452.56, 452.64; 472/118, 125  
See application file for complete search history.

- D457,332 S \* 5/2002 Liu ..... D6/347
- D459,099 S \* 6/2002 Liu ..... D6/347
- 6,402,233 B1 \* 6/2002 Tseng ..... 297/184.1
- D459,596 S \* 7/2002 Tseng ..... D6/344
- D468,546 S \* 1/2003 Tseng ..... D6/347
- 6,582,018 B2 \* 6/2003 Tseng ..... 297/281
- 6,739,662 B1 5/2004 Alvarez
- D496,800 S \* 10/2004 Pauschitz ..... D6/347
- 6,857,965 B2 2/2005 Pook et al.
- 6,935,962 B1 \* 8/2005 Tseng ..... 472/125
- 6,949,027 B1 9/2005 Habing et al.
- 6,951,369 B1 \* 10/2005 Wang et al. .... 297/281
- 2006/0179576 A1 8/2006 Richards et al.

\* cited by examiner

*Primary Examiner* — Ricky Pham  
(74) *Attorney, Agent, or Firm* — Barnes & Thornburg LLP

(57) **CLAIM**  
The ornamental design for a reclined swing, as shown and described.

(56) **References Cited**

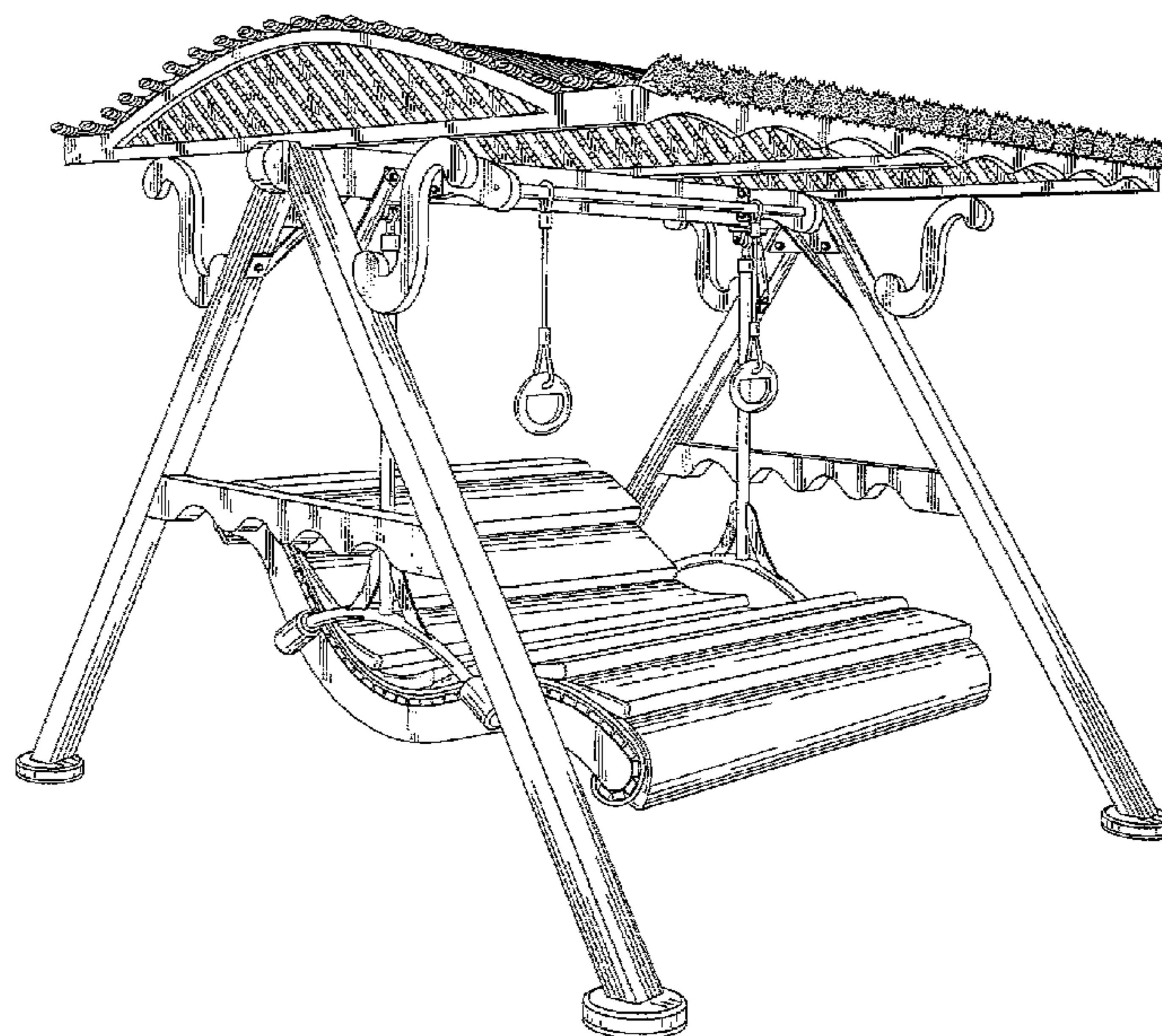
**U.S. PATENT DOCUMENTS**

136,181	A	2/1873	Quigg	
364,182	A	5/1887	Lyon	
857,653	A	6/1907	McCaulley	
1,240,089	A	9/1917	Pottinger	
1,582,487	A	4/1926	Shank	
2,478,432	A	8/1949	Sullivan	
2,520,377	A	8/1950	Schrougham	
4,221,429	A	9/1980	Wade	
D260,110	S *	8/1981	Gomes	D6/347
4,542,935	A	9/1985	Roof	
5,058,951	A	10/1991	Thiel	
5,803,818	A	9/1998	Tseng	
5,938,283	A	8/1999	Babcock et al.	
5,957,780	A *	9/1999	Grazioli	472/118
D417,791	S *	12/1999	Liu	D6/347
6,001,021	A	12/1999	Battaglia	
6,163,906	A	12/2000	Kay	
D450,938	S *	11/2001	Liu	D6/347

**DESCRIPTION**

FIG. 1 is a perspective view of a reclined swing assembly showing my new design;  
 FIG. 2 is a front elevation view of the reclined swing assembly of FIG. 1;  
 FIG. 3 is a rear elevation view of the reclined swing assembly of FIG. 1;  
 FIG. 4 is a side view of the reclined swing assembly of FIG. 1, the other side view of this reclined swing assembly would be a mirror image of this view;  
 FIG. 5 is a top view of the reclined swing assembly of FIG. 1; and,  
 FIG. 6 is an underside view of the reclined swing assembly of FIG. 1.

**1 Claim, 6 Drawing Sheets**



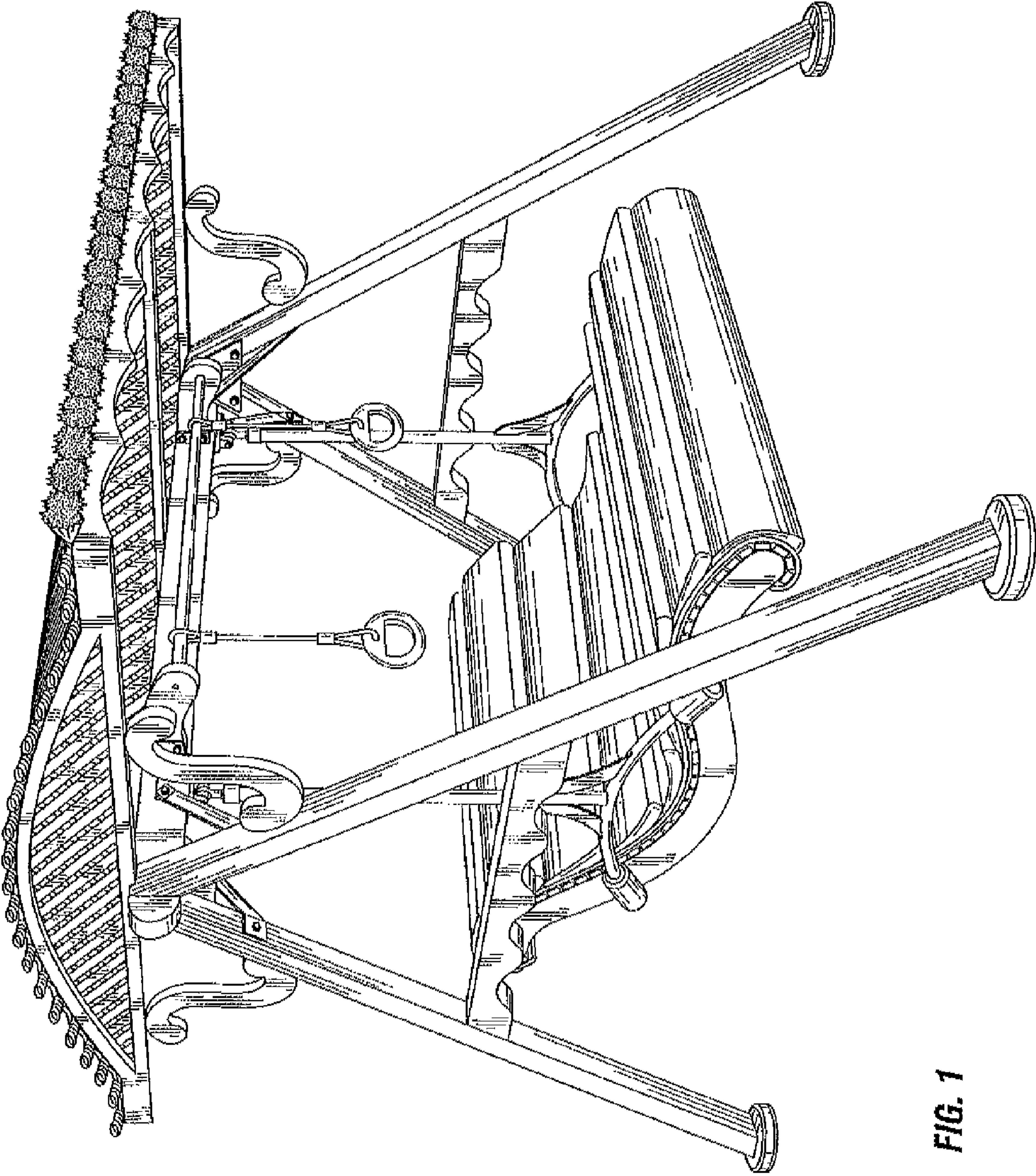


FIG. 1



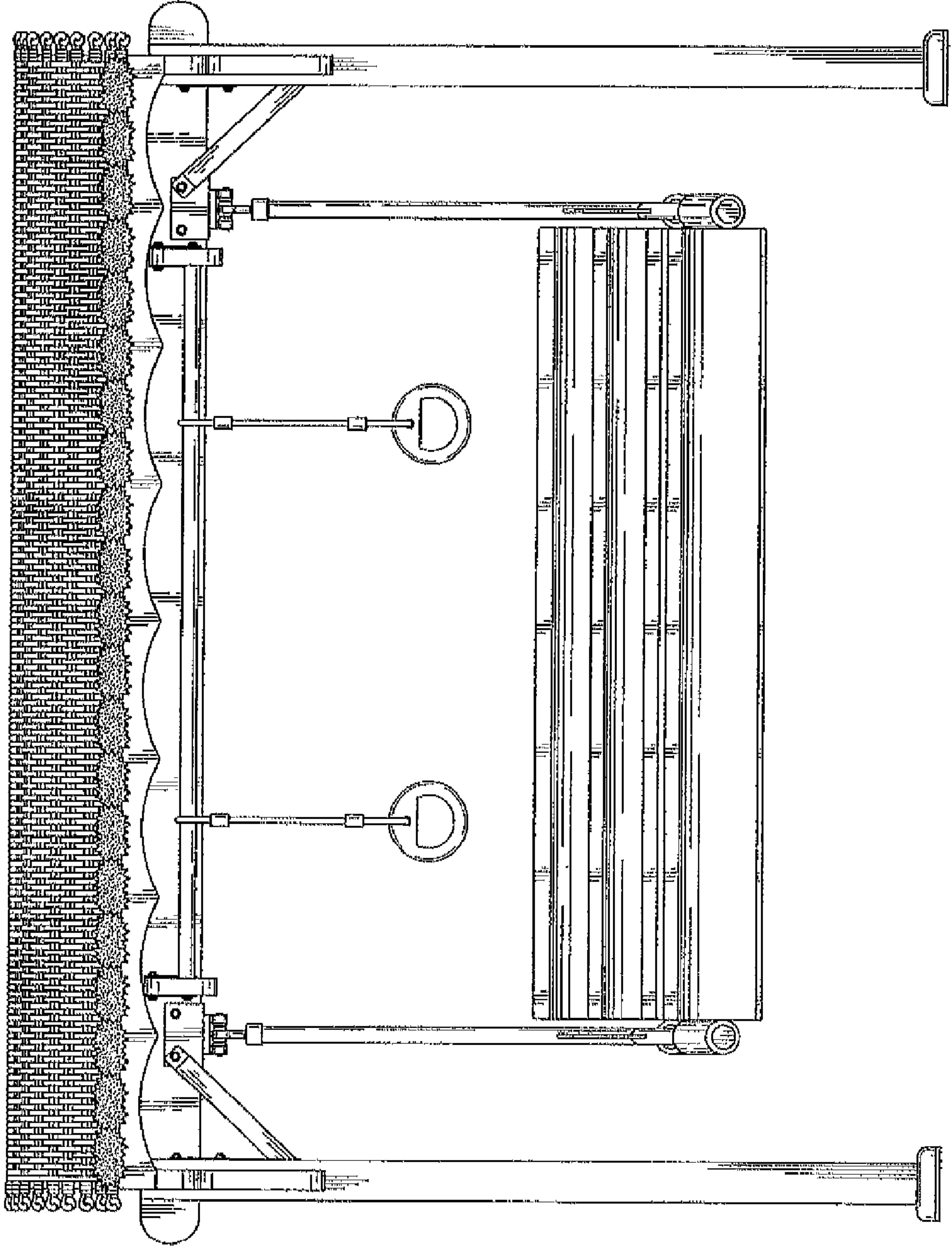


FIG. 2

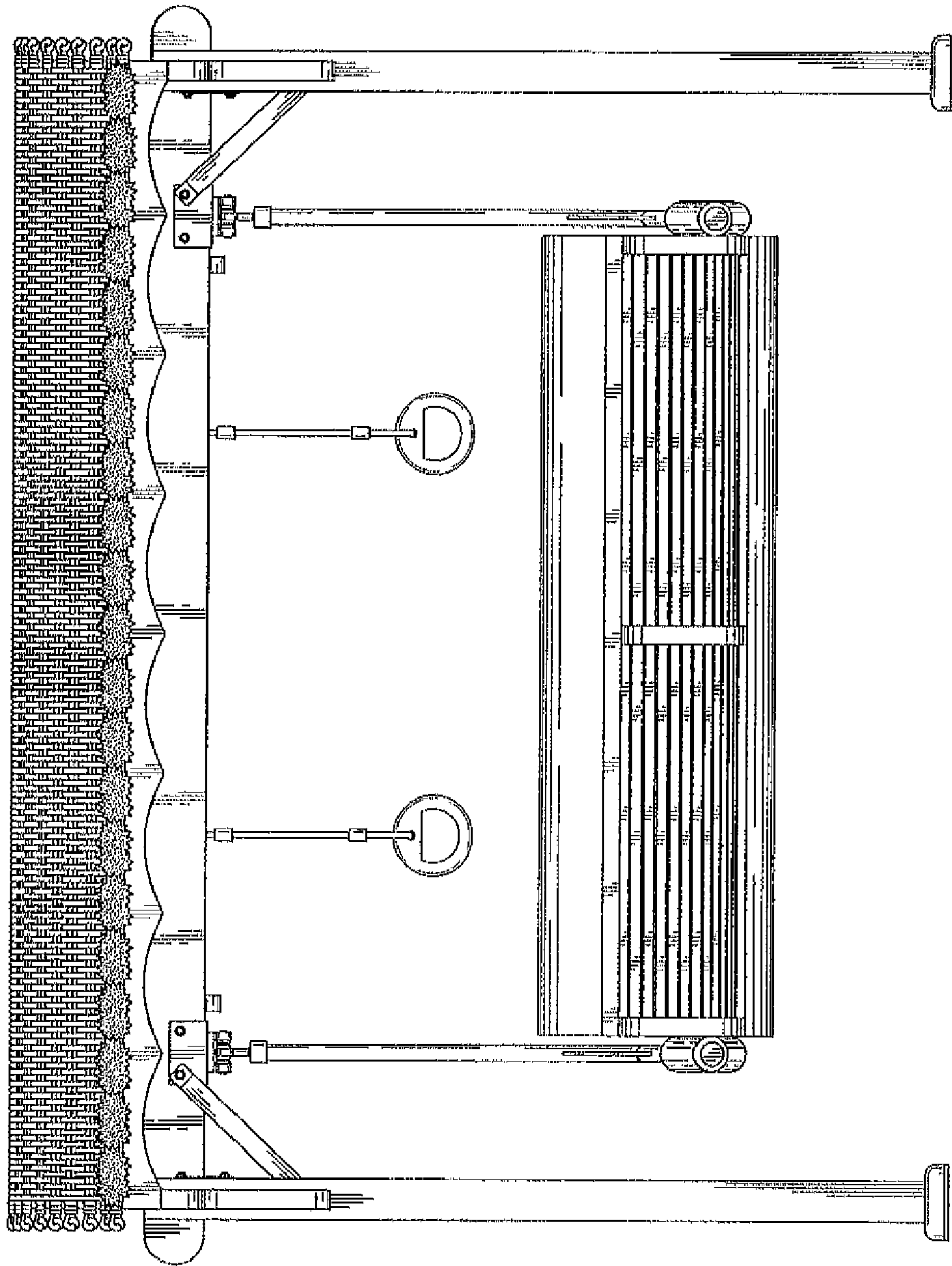


FIG. 3

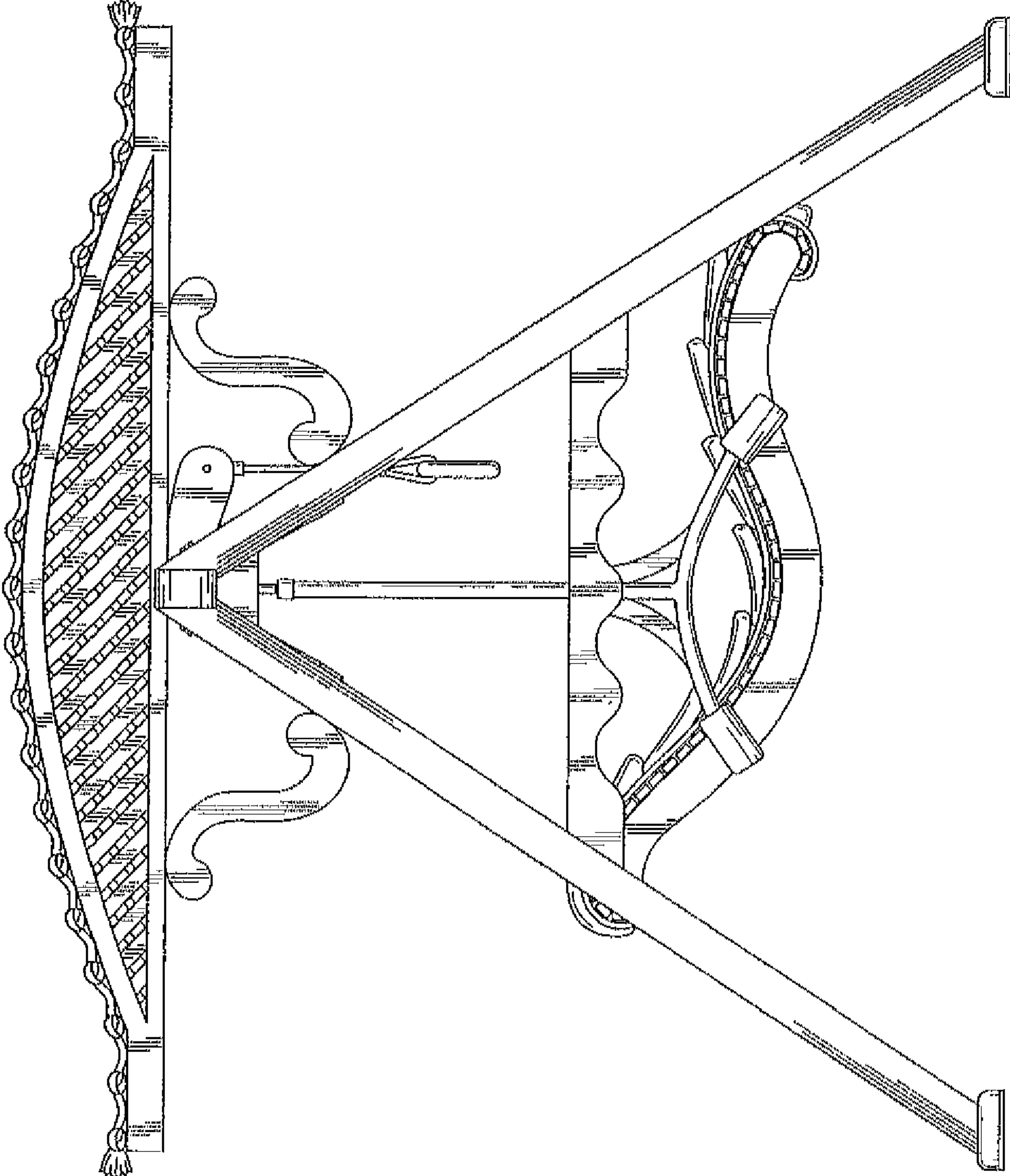


FIG. 4



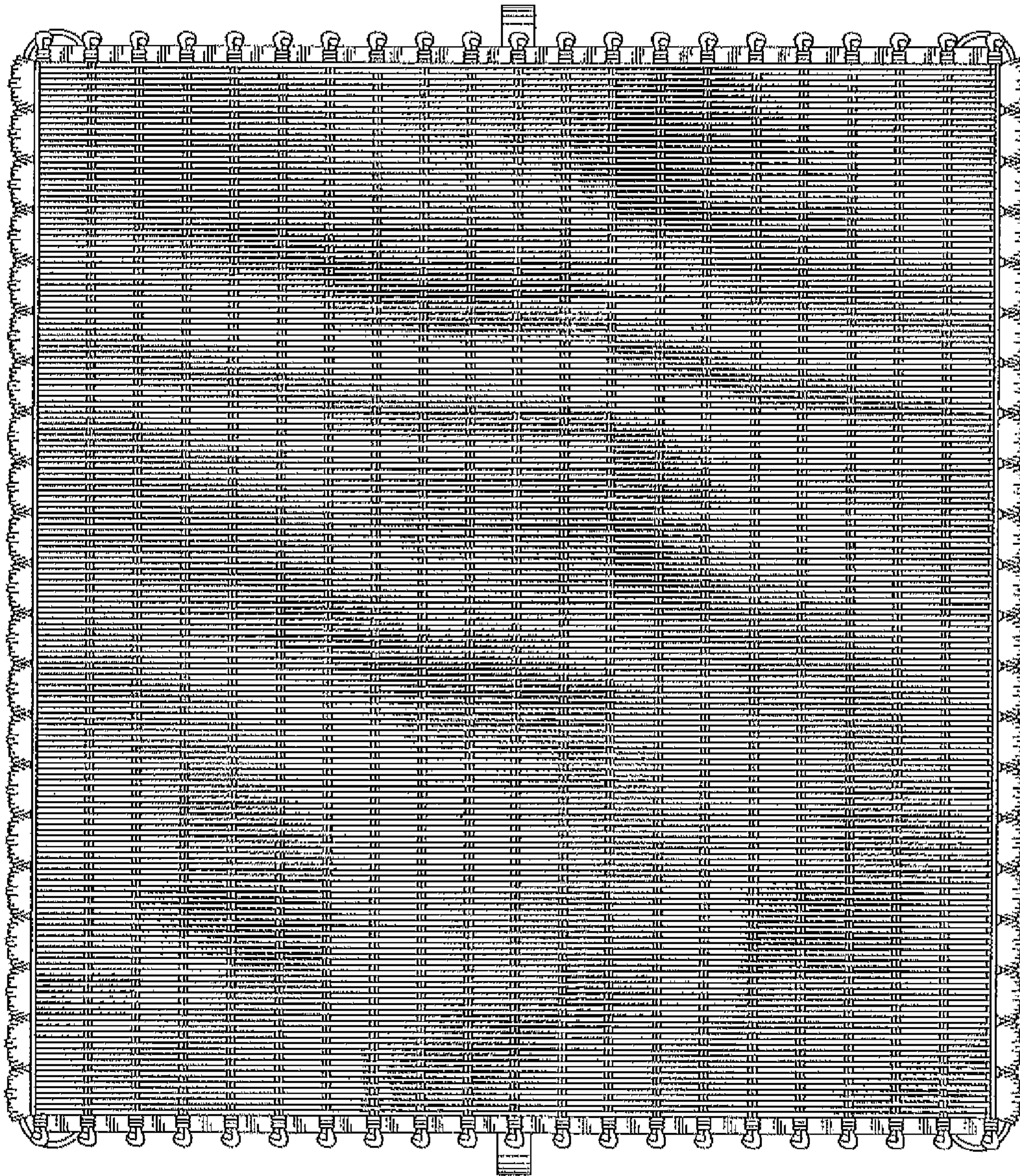


FIG. 5

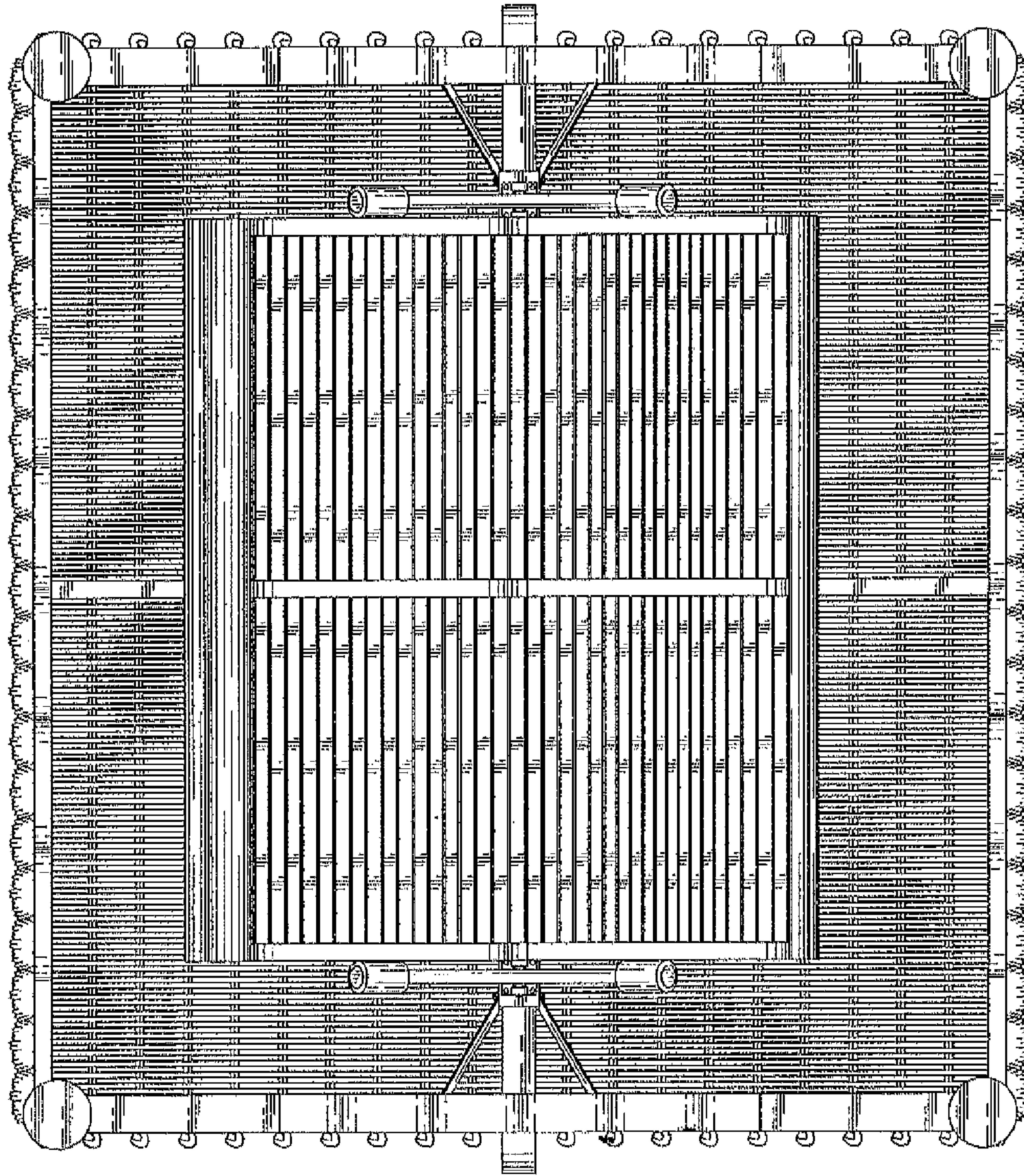


FIG. 6