

US00D661501S

(12) **United States Design Patent**
Pineau et al.

(10) **Patent No.:** **US D661,501 S**
(45) **Date of Patent:** **** Jun. 12, 2012**

(54) **OCTAGONAL TABLE WITH BENCHES**

(75) Inventors: **Charles A. Pineau**, Chicago, IL (US);
Siddharth D. Patel, Glendale Heights,
IL (US); **Jaimin N. Shah**, Chicago, IL
(US)

(73) Assignee: **Midwest Folding Products, Corp.**,
Chicago, IL (US)

(**) Term: **14 Years**

(21) Appl. No.: **29/406,798**

(22) Filed: **Nov. 18, 2011**

(51) **LOC (9) Cl.** **06-01**

(52) **U.S. Cl.** **D6/338**

(58) **Field of Classification Search** D6/335,
D6/336, 337, 338, 339, 349, 350, 351, 352,
D6/353, 357; 291/118, 119, 134, 135, 158.2,
291/158.3, 158.5, 170, 174 R; 5/12.1, 12.2
See application file for complete search history.

(56) **References Cited**

U.S. PATENT DOCUMENTS

D180,331	S	*	5/1957	Holmdahl	D6/337
3,542,420	A	*	11/1970	Priewe	297/158.3
D266,211	S	*	9/1982	Thom et al.	D6/337
D279,433	S	*	7/1985	Fuchs	D6/337
4,917,436	A	*	4/1990	Thom	297/158.3
D327,779	S	*	7/1992	Jensen et al.	D6/337
D351,254	S	*	10/1994	Carranza	D28/64.1
D381,820	S	*	8/1997	Kovalchek	D6/337
5,720,512	A	*	2/1998	Hostetler	297/158.5
5,921,622	A	*	7/1999	Newton	297/157.1
D413,734	S	*	9/1999	Bue	D6/337

6,065,802	A	*	5/2000	Bue	297/158.4
D439,060	S	*	3/2001	Larsen	D6/337
D448,938	S	*	10/2001	Ng et al.	D6/337
D456,155	S	*	4/2002	DeVriendt	D6/337
D514,830	S	*	2/2006	Bue	D6/337
D572,918	S	*	7/2008	Viets	D6/337

OTHER PUBLICATIONS

Choices—Mobile, folding tables, Sico catalog, pp. 1-12, 2006.*

* cited by examiner

Primary Examiner — Sandra Snapp

(74) *Attorney, Agent, or Firm* — McDermott Will & Emery
LLP

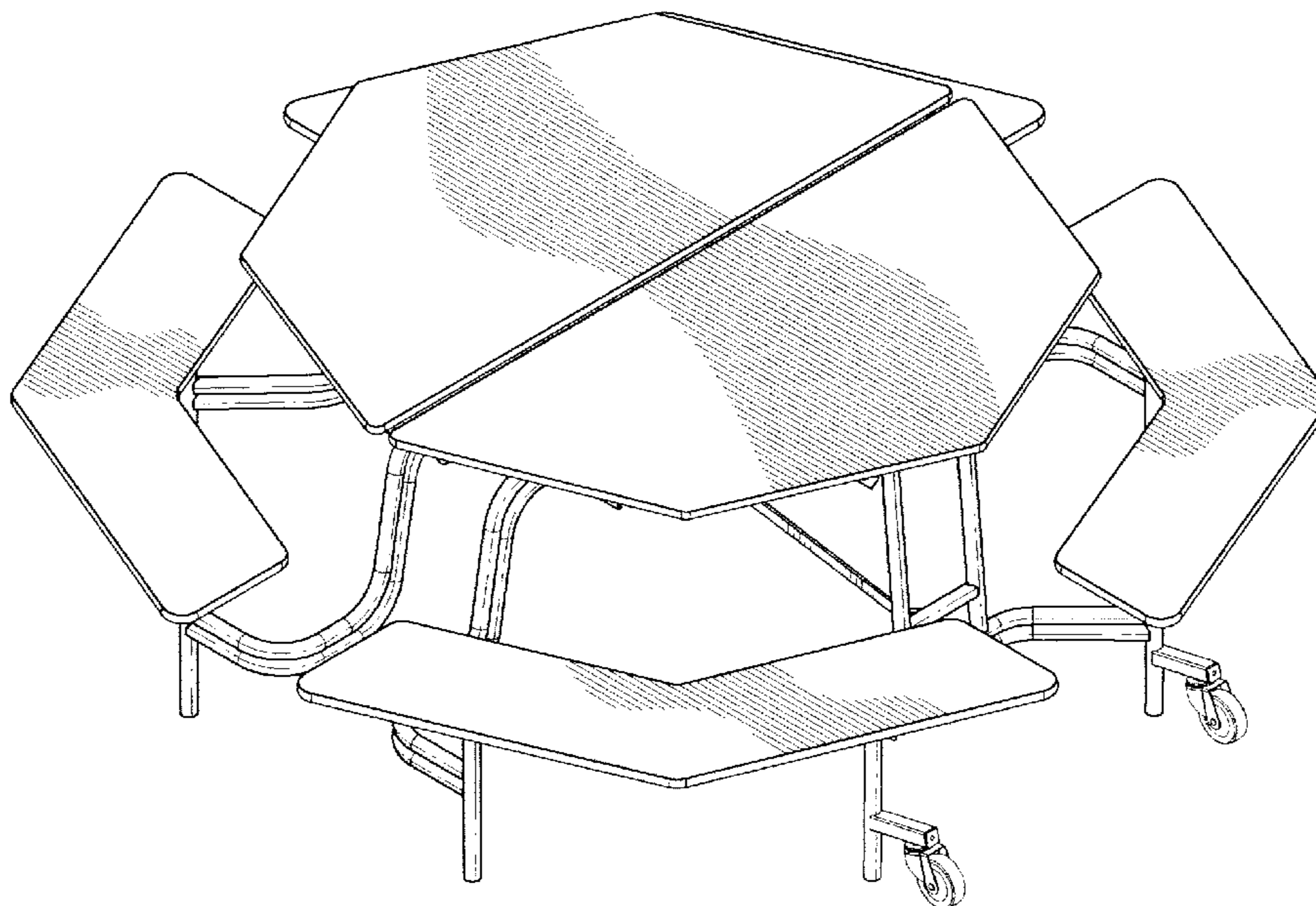
(57) **CLAIM**

I claim the ornamental design for an octagonal table with benches, as shown and described.

DESCRIPTION

FIG. 1 is a perspective view of an octagonal table with benches according to the new design;
FIG. 2 is a left side view of the octagonal table with benches shown in FIG. 1;
FIG. 3 is a front view of the octagonal table with benches shown in FIG. 1;
FIG. 4 is a top view of the octagonal table with benches shown in FIG. 1;
FIG. 5 is a bottom view of the octagonal table with benches shown in FIG. 1; and,
FIG. 6 is a perspective view of the octagonal table with benches shown in FIG. 1 in an alternative position.

1 Claim, 5 Drawing Sheets



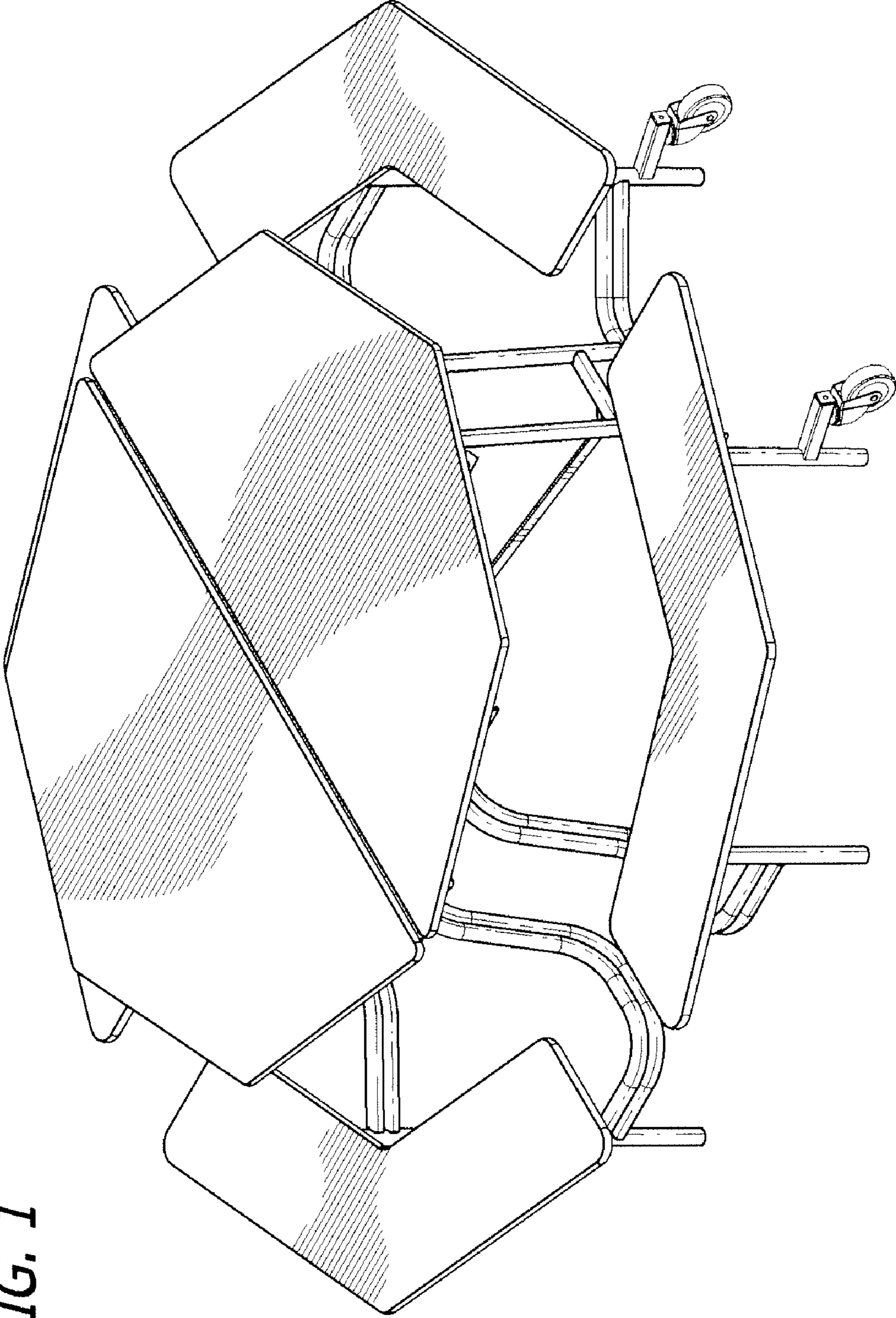
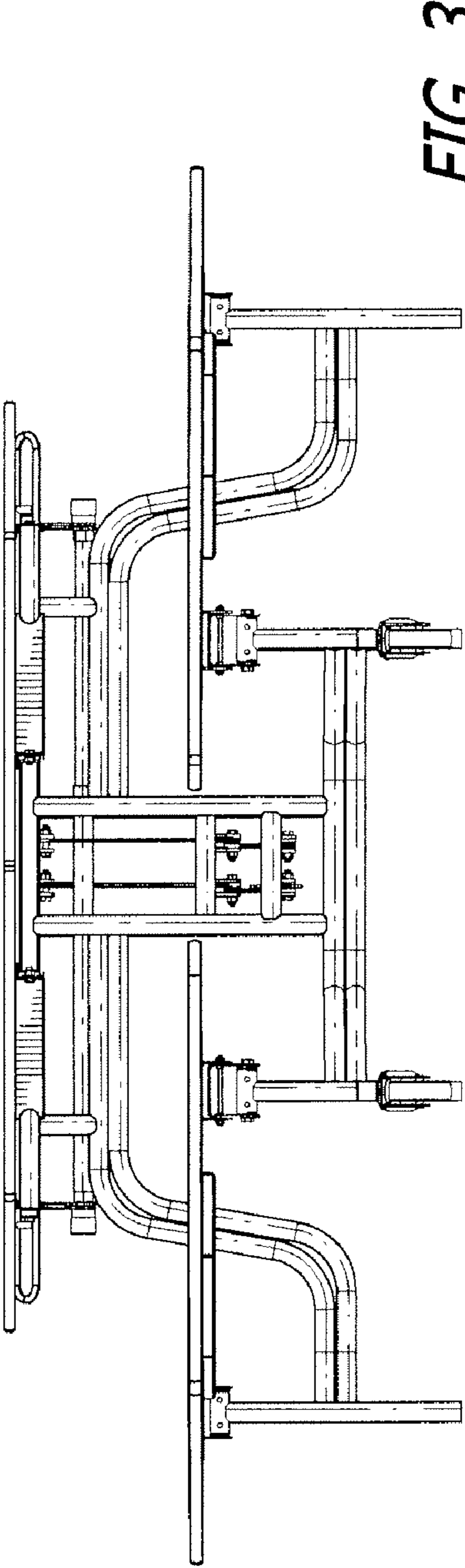
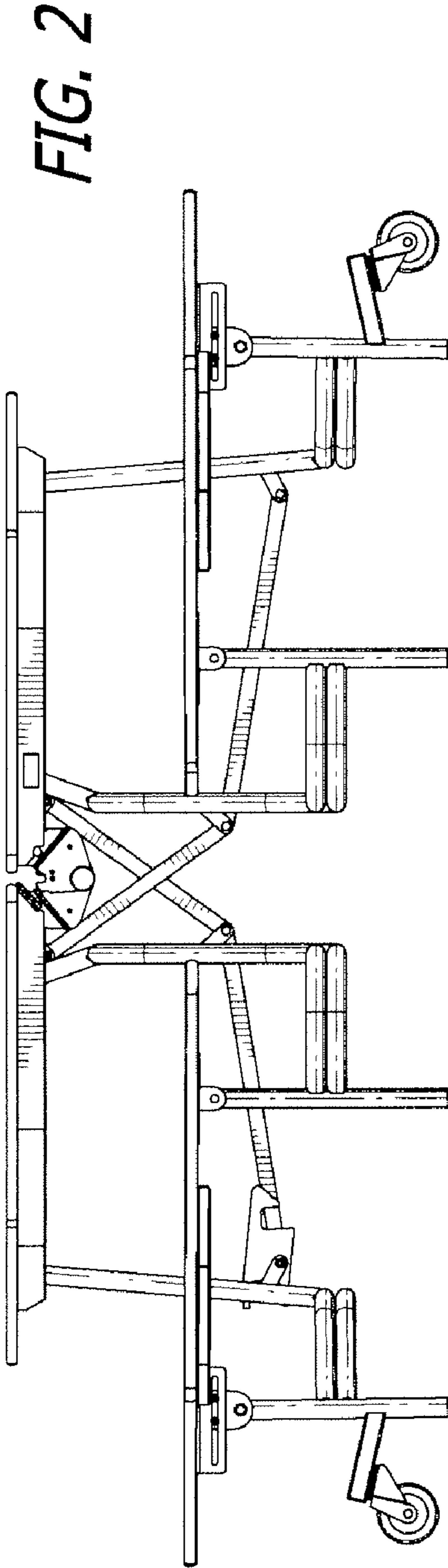


FIG. 1



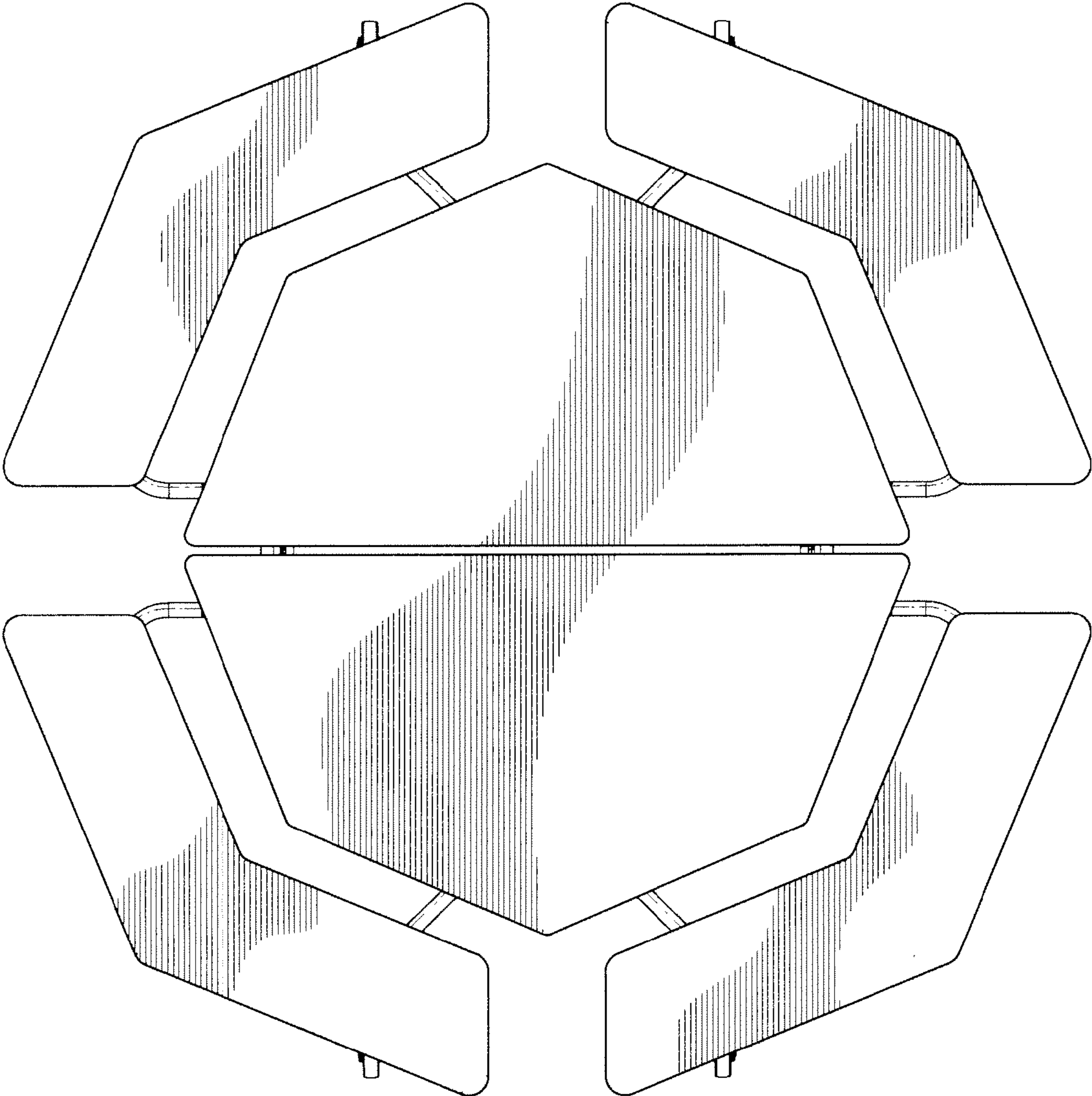


FIG. 4

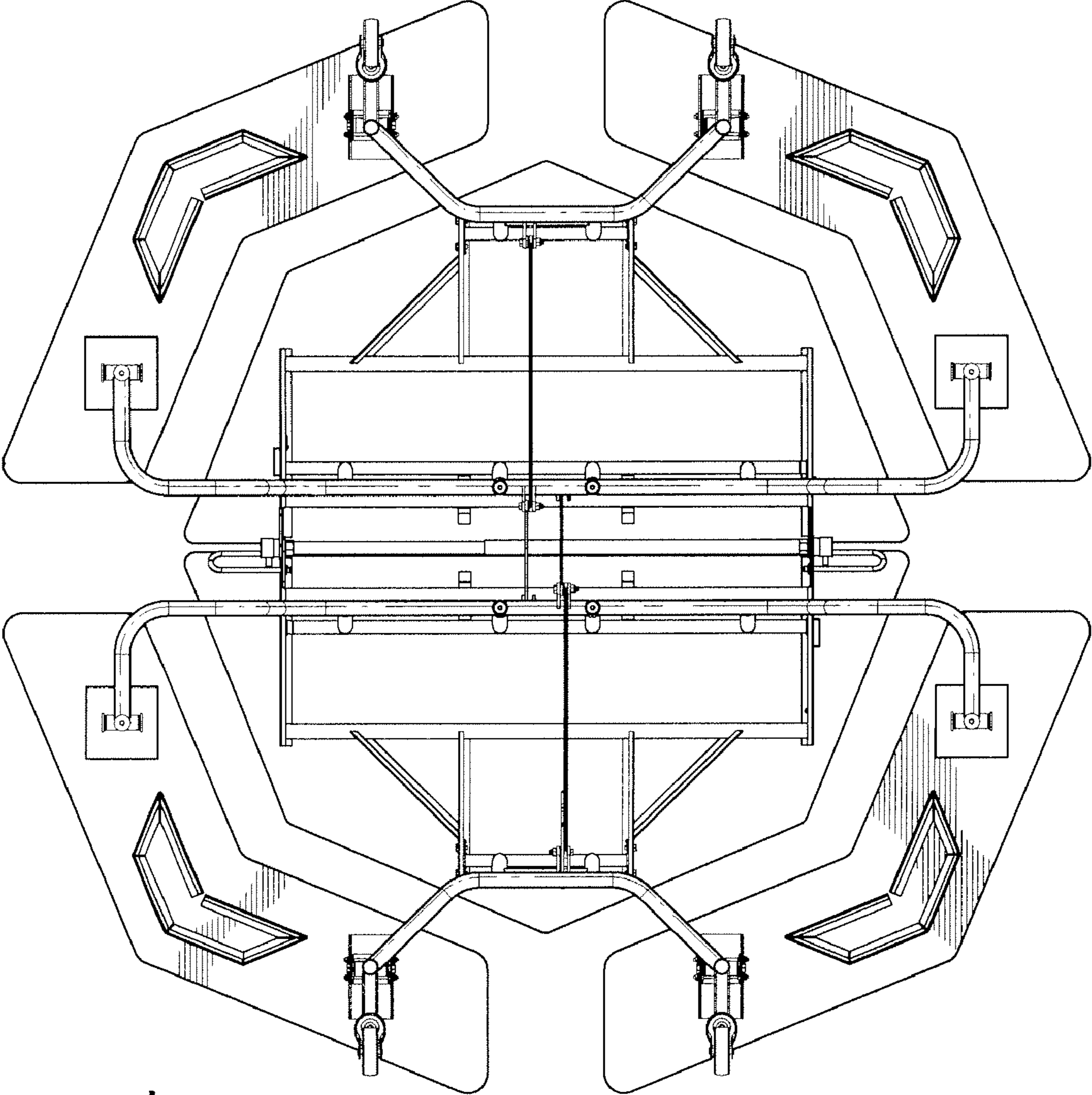


FIG. 5

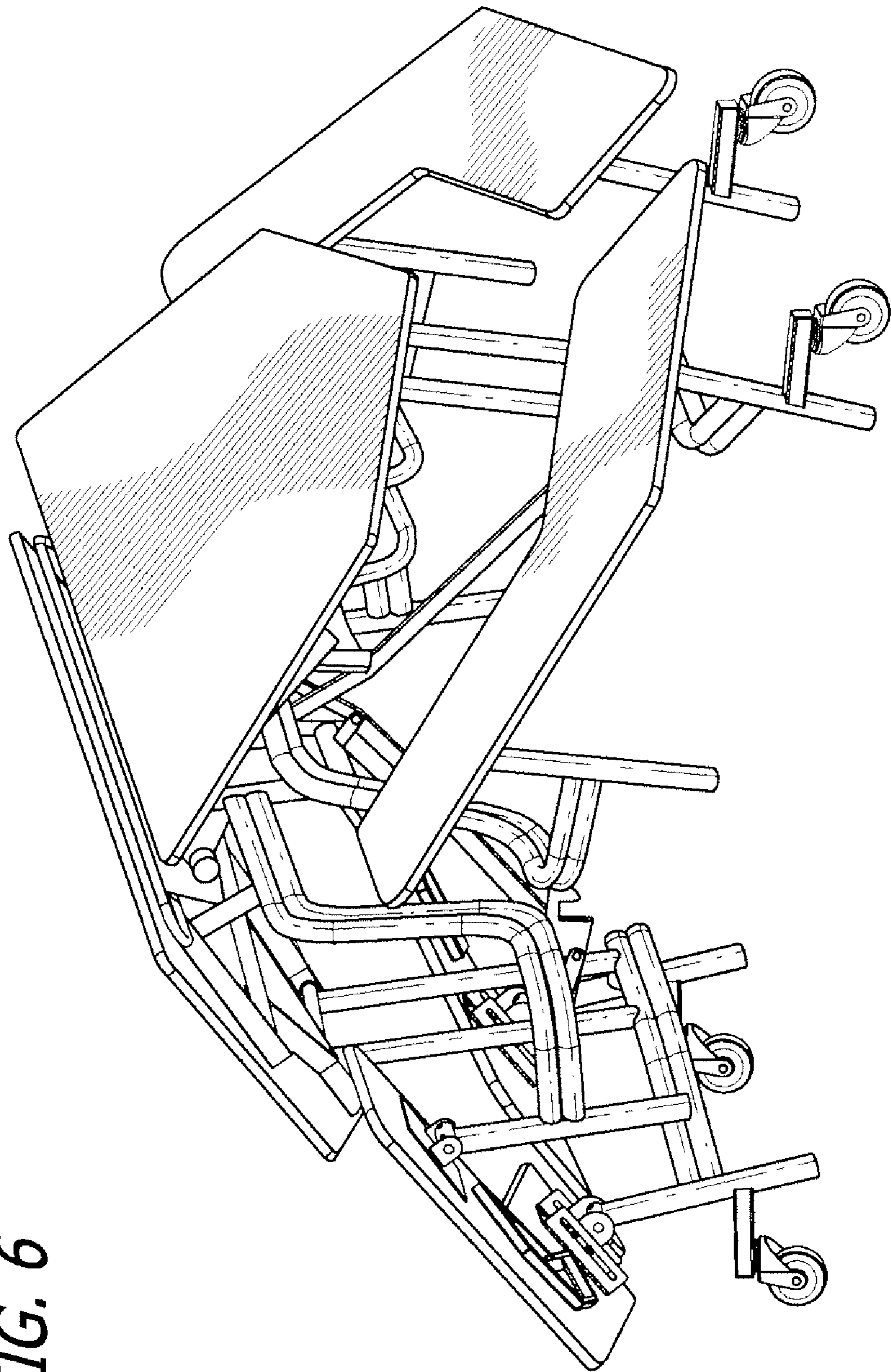


FIG. 6