



US00D661498S

(12) **United States Design Patent**
Wang

(10) **Patent No.:** **US D661,498 S**
(45) **Date of Patent:** **** Jun. 12, 2012**

(54) **SNAPABLE FRONT AND REAR PANEL SIGN HOLDER**

(75) Inventor: **Robin Wang**, Foshan (CN)

(73) Assignee: **Deflecto, LLC**, Indianapolis, IN (US)

(**) Term: **14 Years**

(21) Appl. No.: **29/367,680**

(22) Filed: **Aug. 11, 2010**

(51) **LOC (9) Cl.** **06-04**

(52) **U.S. Cl.** **D6/312**

(58) **Field of Classification Search** D6/419,
D6/312, 449, 429-431, 420; D20/419; D17/99;
248/441.1, 448.449, 454, 460; 40/607.1,
40/607.4, 607.11, 607.13, 665, 611.06, 494,
40/651, 606.15, 606.01, 606.14; D13/199

See application file for complete search history.

(56) **References Cited**

U.S. PATENT DOCUMENTS

641,522	A *	1/1900	Leger	40/651
4,777,750	A *	10/1988	Garfinkle	40/607.04
D342,549	S *	12/1993	Hofman	D20/41
D346,286	S *	4/1994	Caponigro et al.	D6/419
D388,262	S *	12/1997	Benting et al.	D6/419
D478,343	S *	8/2003	Heid	D17/99
D535,109	S *	1/2007	Palmer	D6/312
D543,366	S *	5/2007	Weatherly	D6/312
D556,833	S *	12/2007	Maier-Hunke	D20/41
D582,986	S *	12/2008	Sanchez	D20/19
D598,217	S	8/2009	Bode		

D625,528	S *	10/2010	Sprague	D6/449
D635,800	S	4/2011	Rodgers et al.		
D639,088	S *	6/2011	Rodgers et al.	D6/449
D644,618	S *	9/2011	Morihira	D13/199
2002/0166275	A1 *	11/2002	Broadwell et al.	40/606
2002/0174582	A1 *	11/2002	Garfinkle et al.	40/606
2008/0028652	A1 *	2/2008	Makhija et al.	40/606.15

* cited by examiner

Primary Examiner — Philip S Hyder

Assistant Examiner — Sydney Buffalow

(74) *Attorney, Agent, or Firm* — SNR Denton US LLP;
Brian R. McGinley; Anne K. W. Sutton

(57) **CLAIM**

The ornamental design for a snapable front and rear panel sign holder, as shown and described.

DESCRIPTION

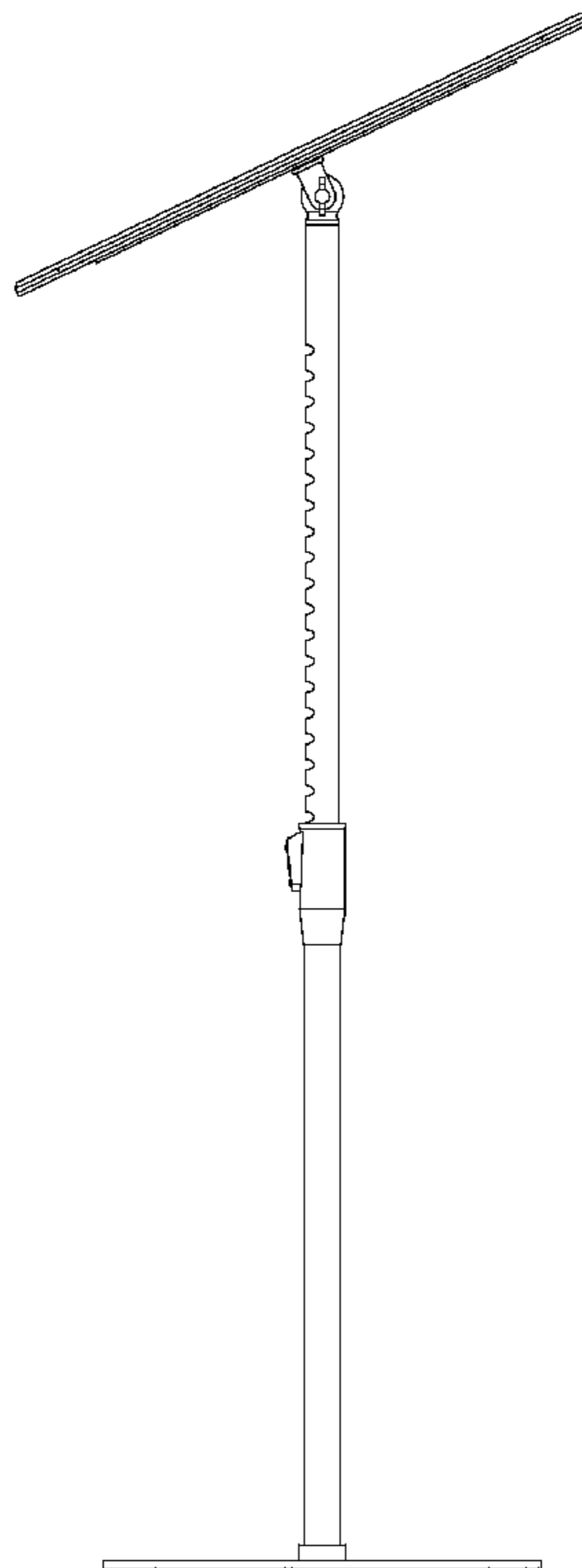
FIG. 1 is a side view of the snapable front and rear panel sign holder illustrating the new design with the front and rear panel snapped together;

FIG. 2 is a top view of the snapable front and rear panel sign holder illustrated in FIG. 1 illustrating the snap portion of each of the front and rear panel;

FIG. 3 is a rear view of the snapable front and rear panel sign holder illustrated in FIG. 1 illustrating the snap portion of the front panel; and,

FIG. 4 is an enlarged, fragmentary view of the snapable front and rear panel sign holder illustrated in FIGS. 1-3 illustrating the snap portion of the front panel facing upwards and the snap portion of the rear panel facing upwards.

1 Claim, 3 Drawing Sheets



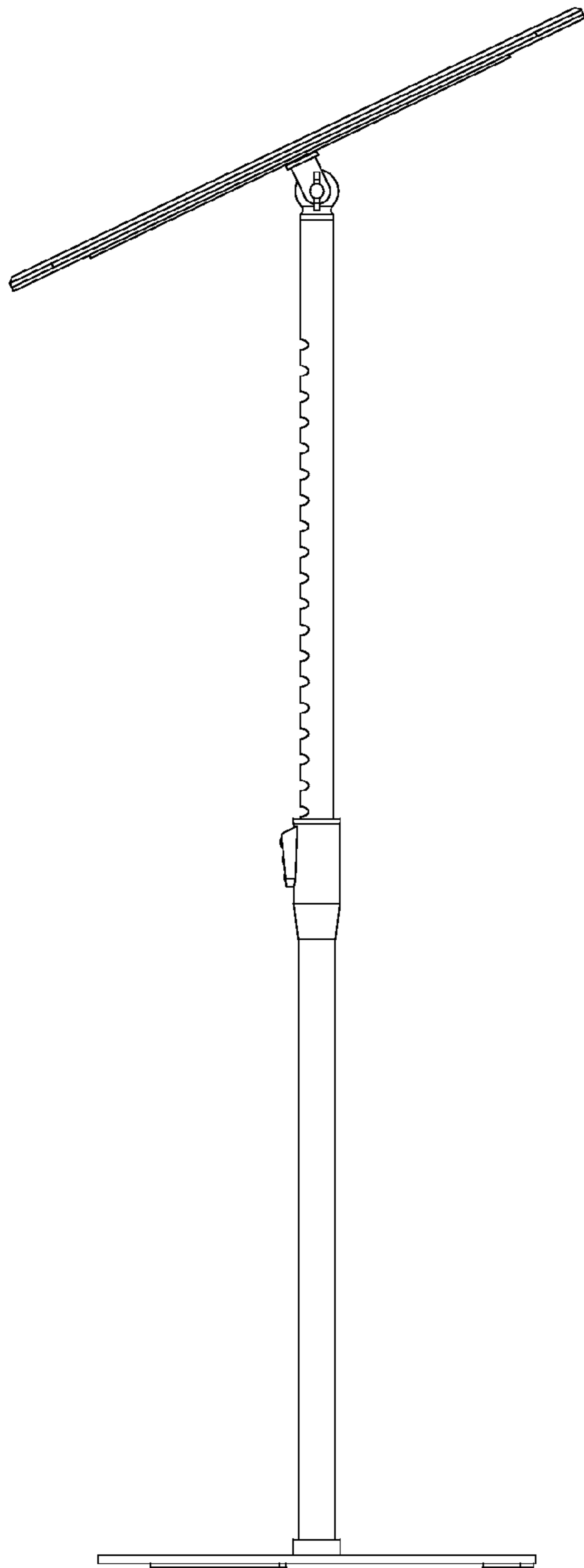


Figure 1

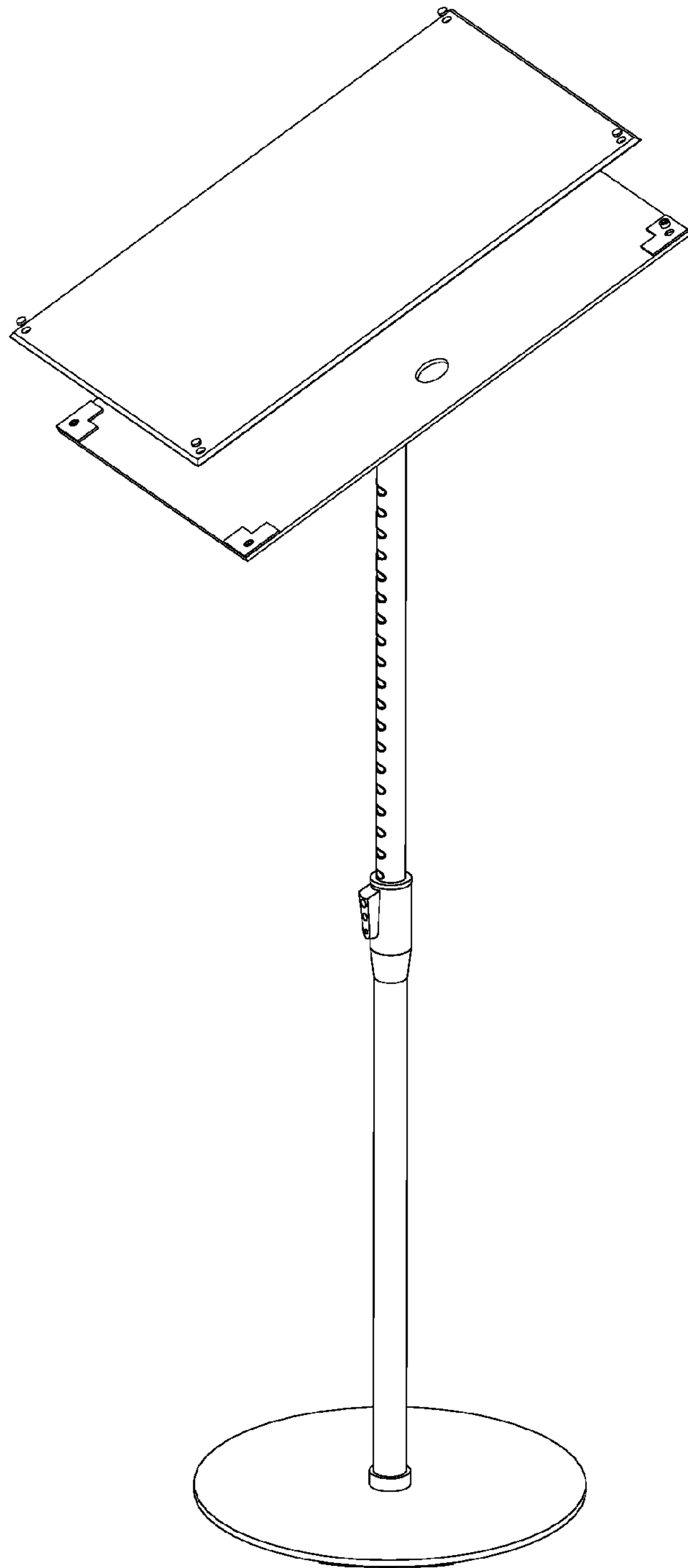


Figure 2

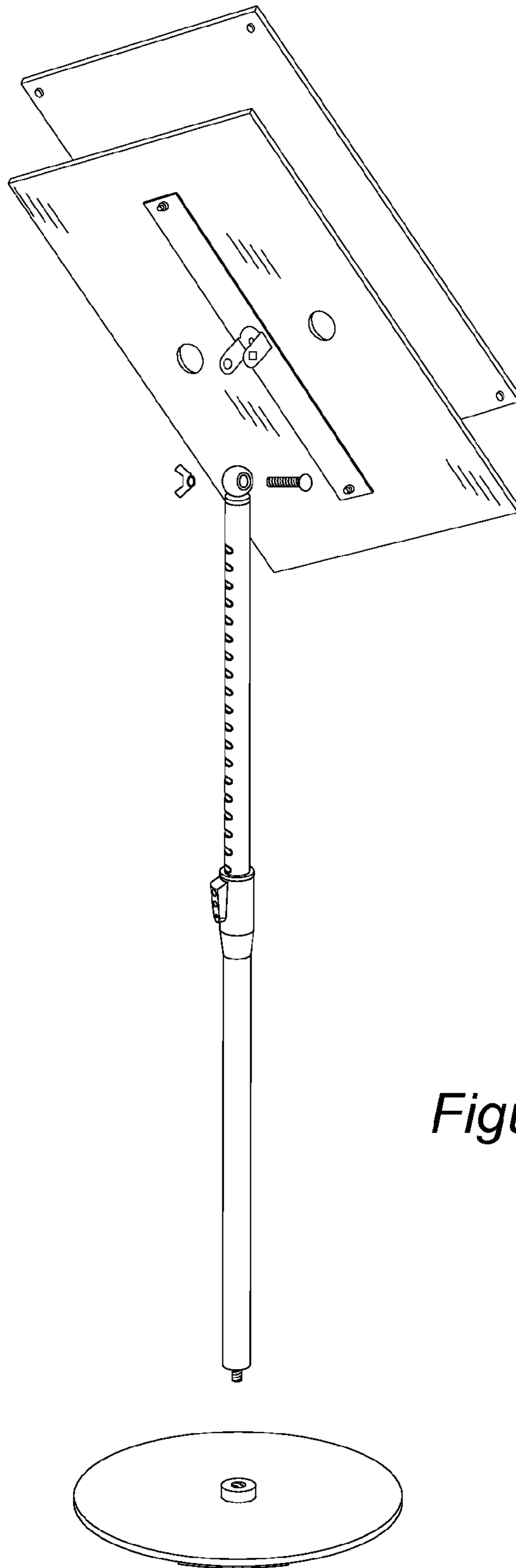


Figure 3

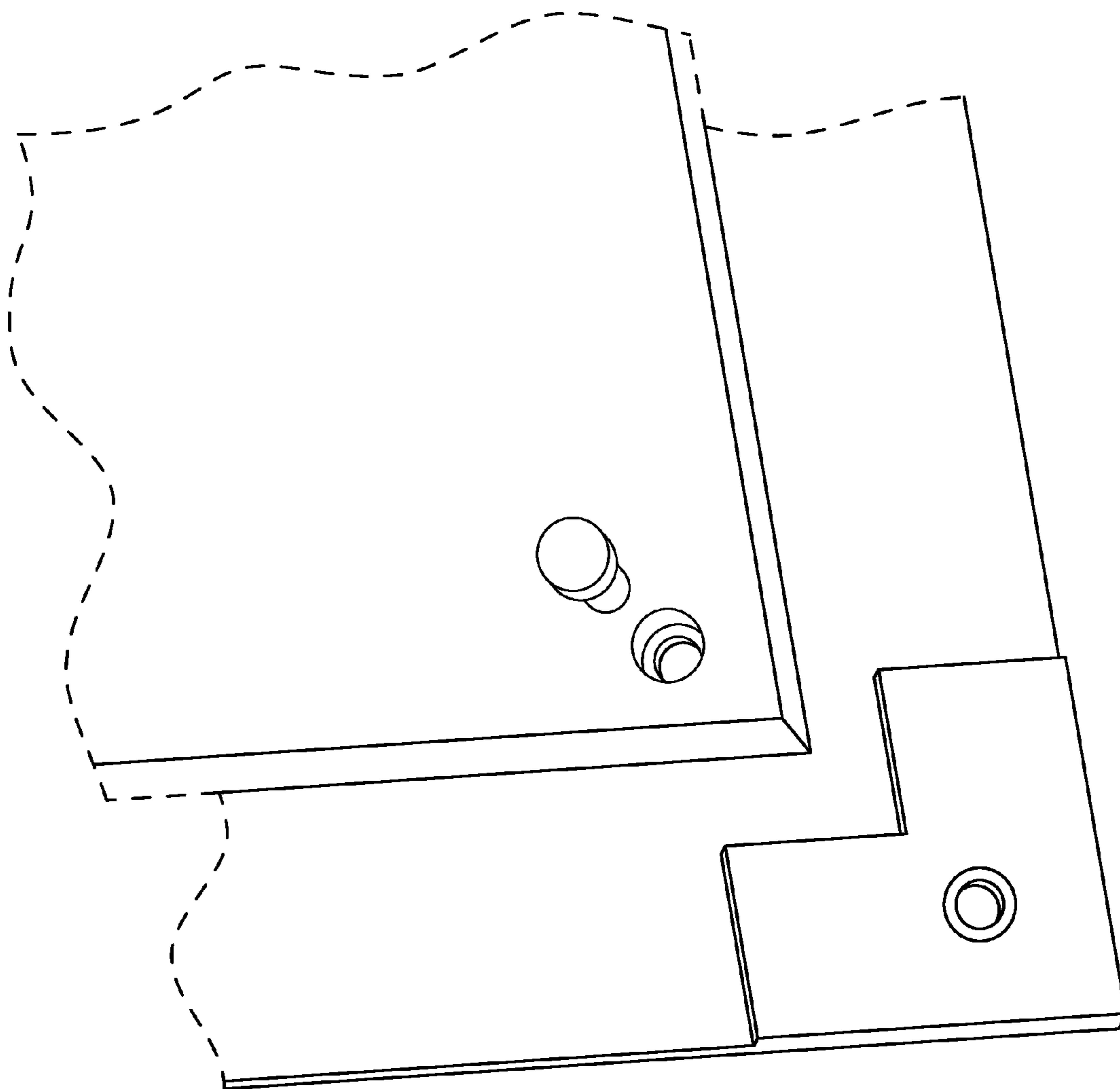


Figure 4