



US00D661497S

(12) **United States Design Patent**
Chiu

(10) **Patent No.:** **US D661,497 S**

(45) **Date of Patent:** **** Jun. 12, 2012**

(54) **DISPLAY**

(75) Inventor: **Yi-Chung Chiu**, Taoyuan County (TW)

(73) Assignee: **Hannspree, Inc.**, New Taipei (TW)

(**) Term: **14 Years**

(21) Appl. No.: **29/390,131**

(22) Filed: **Apr. 20, 2011**

(51) **LOC (9) Cl.** **06-07**

(52) **U.S. Cl.** **D6/303; D6/308**

(58) **Field of Classification Search** D6/300,
D6/303, 308, 310, 311, 312, 314; D10/6,
D10/24, 75; D11/133; D14/371, 374, 375,
D14/376, 381, 382, 496; D20/10; 40/700,
40/714, 717, 721, 725, 768

See application file for complete search history.

(56) **References Cited**

U.S. PATENT DOCUMENTS

D43,699 S *	3/1913	Mahloch	D11/133
D161,350 S *	12/1950	Leventhal	D11/133
D233,500 S *	11/1974	Phillips	D6/303
D237,933 S *	12/1975	Farley	D6/303
D317,530 S *	6/1991	Masterson	D6/303

D324,793 S *	3/1992	Johnson	D6/303
D440,407 S *	4/2001	Farley	D6/303
D469,433 S *	1/2003	Liao	D14/375
D531,821 S *	11/2006	Tipton	D6/303
D637,010 S *	5/2011	Chen	D6/303
D650,592 S *	12/2011	Chiu	D6/308
D651,209 S *	12/2011	Chiu	D14/371

* cited by examiner

Primary Examiner — Mimoso De

(74) *Attorney, Agent, or Firm* — Ming Chow; Sinorica, LLC

(57) **CLAIM**

The ornamental design for a display, as shown and described.

DESCRIPTION

FIG. 1.is a perspective view of a display showing my new design;

FIG. 2.is a front elevational view thereof;

FIG. 3.is a rear elevational view thereof;

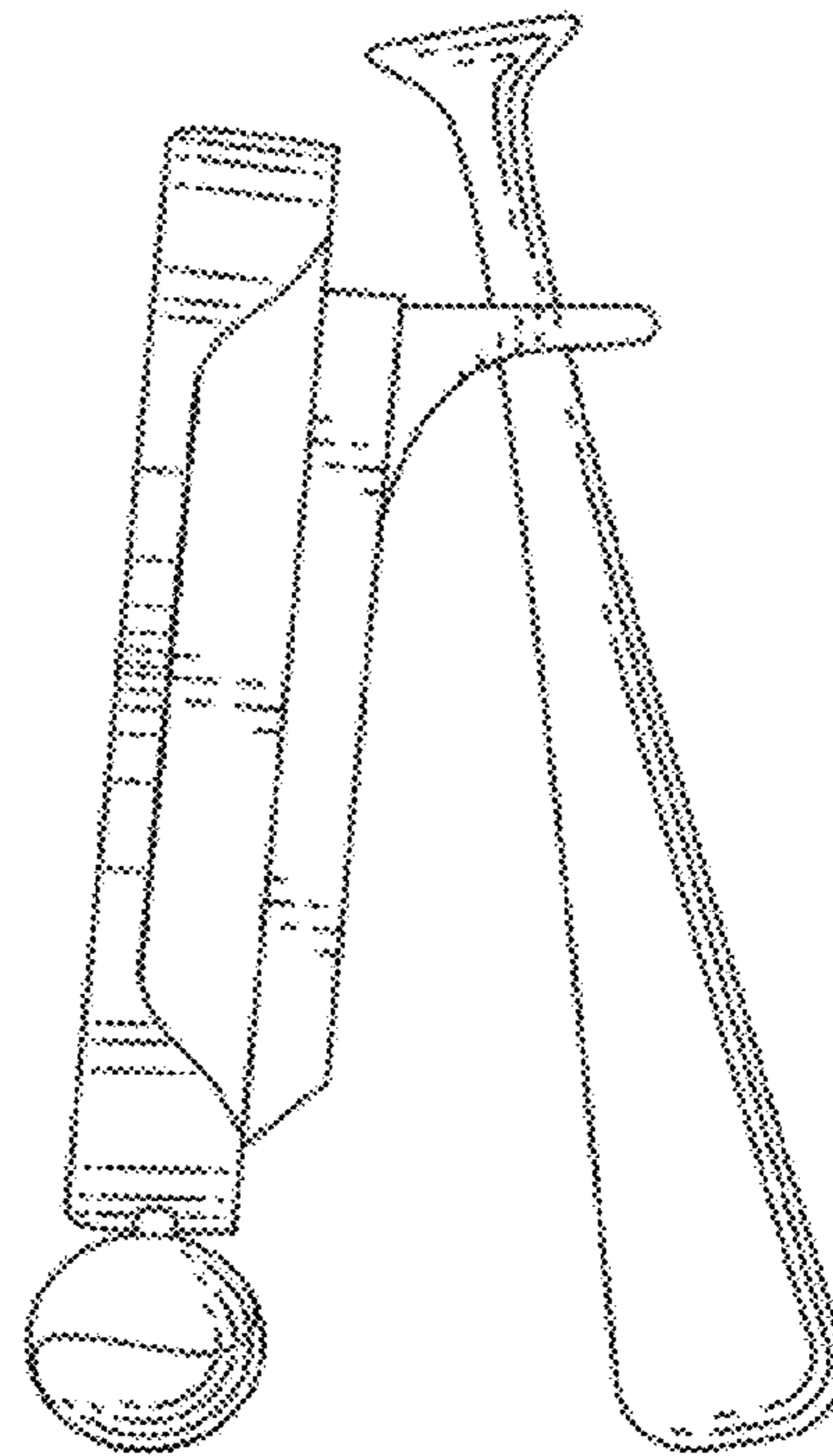
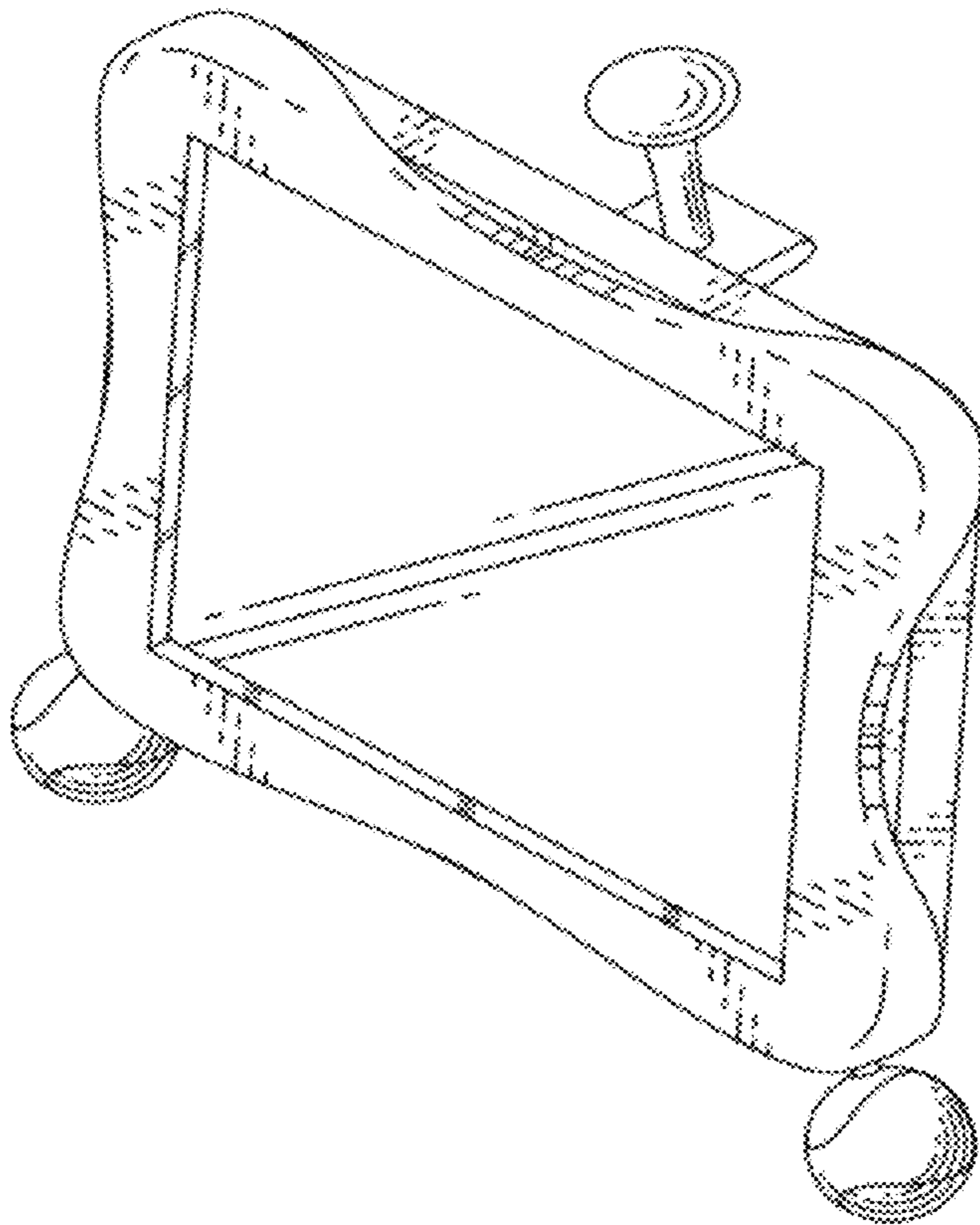
FIG. 4.is a left side elevational view thereof;

FIG. 5.is a right side elevational view thereof;

FIG. 6.is a top plan view thereof; and,

FIG. 7.is a bottom plan view thereof.

1 Claim, 7 Drawing Sheets



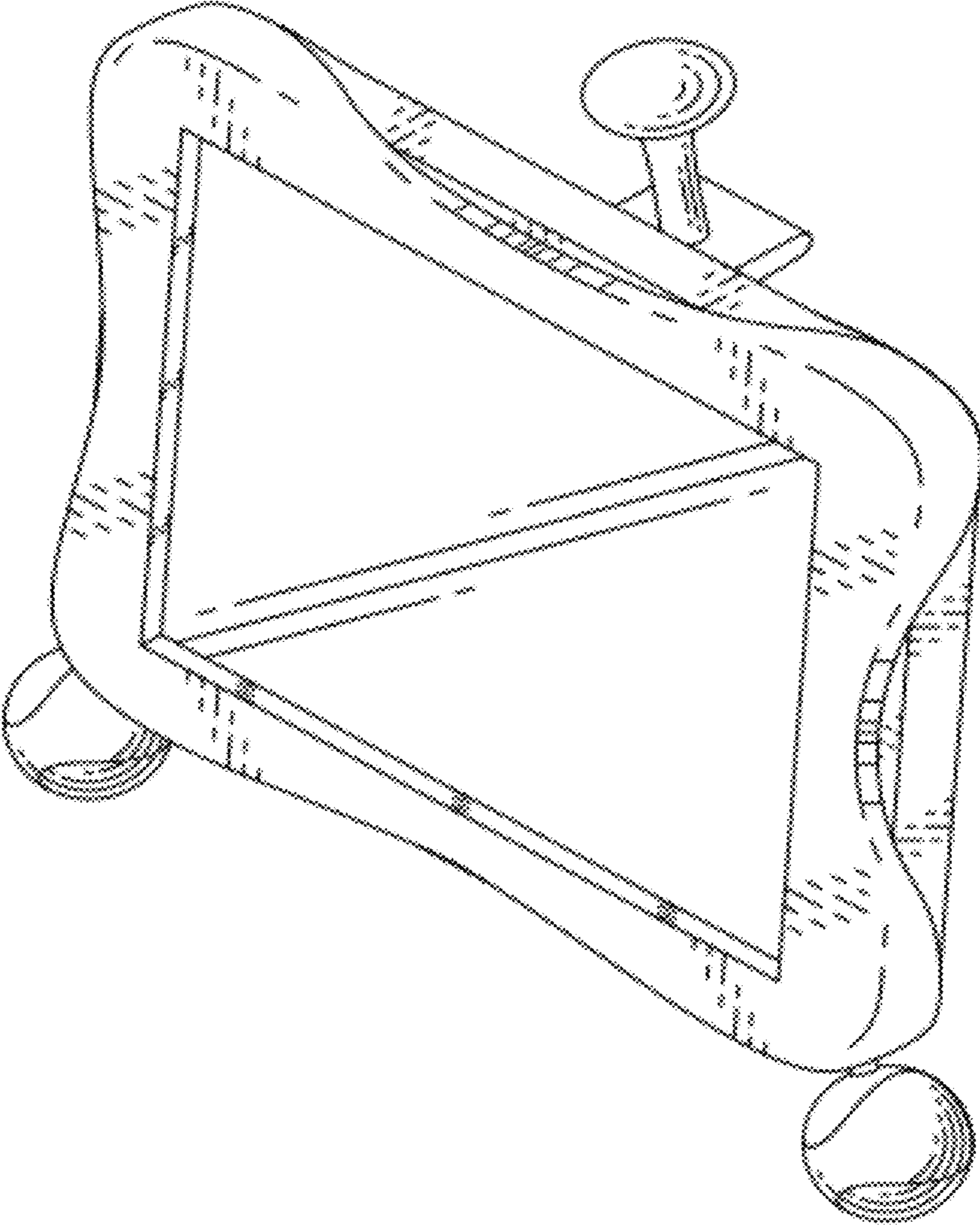


FIG. 1

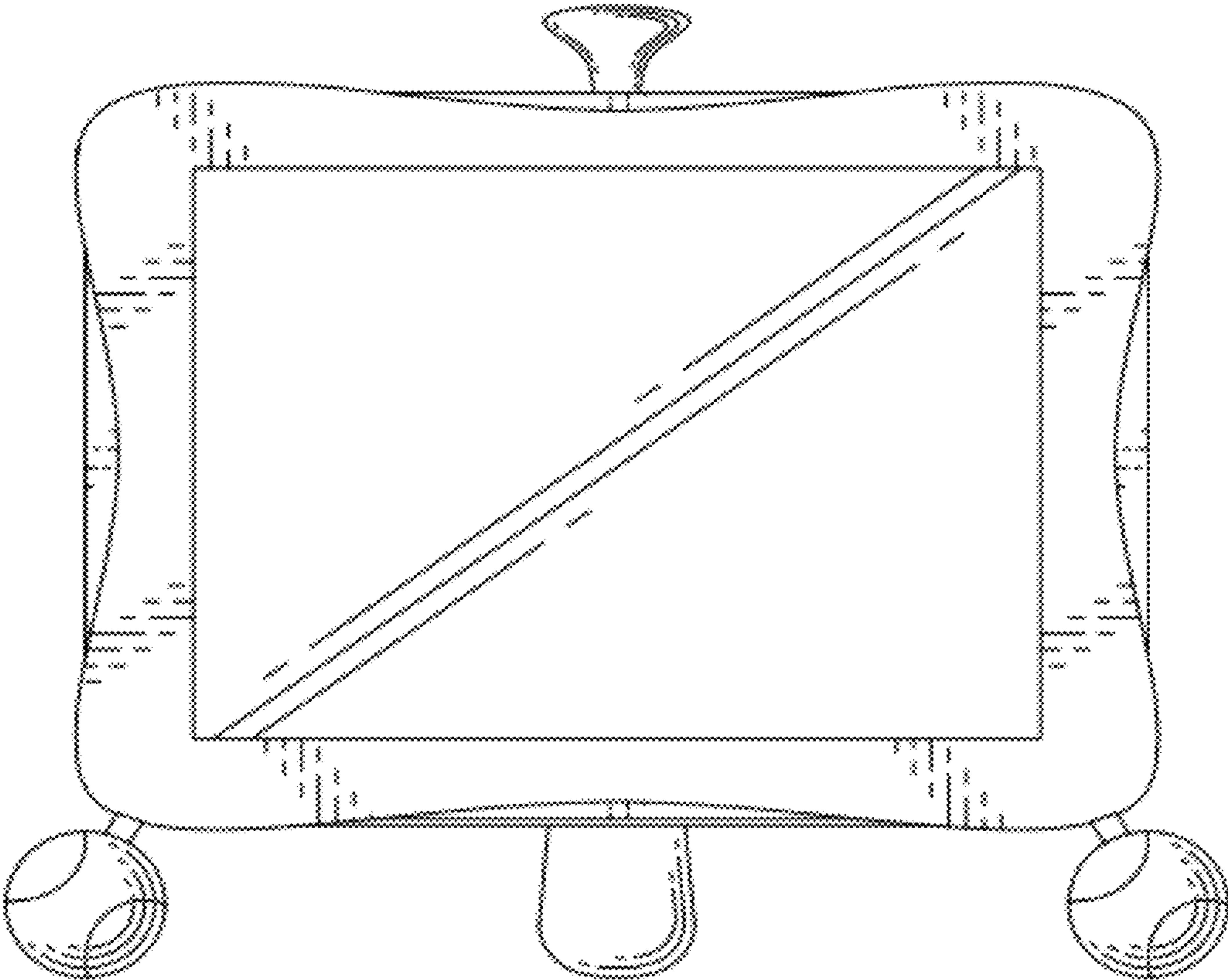


FIG. 2

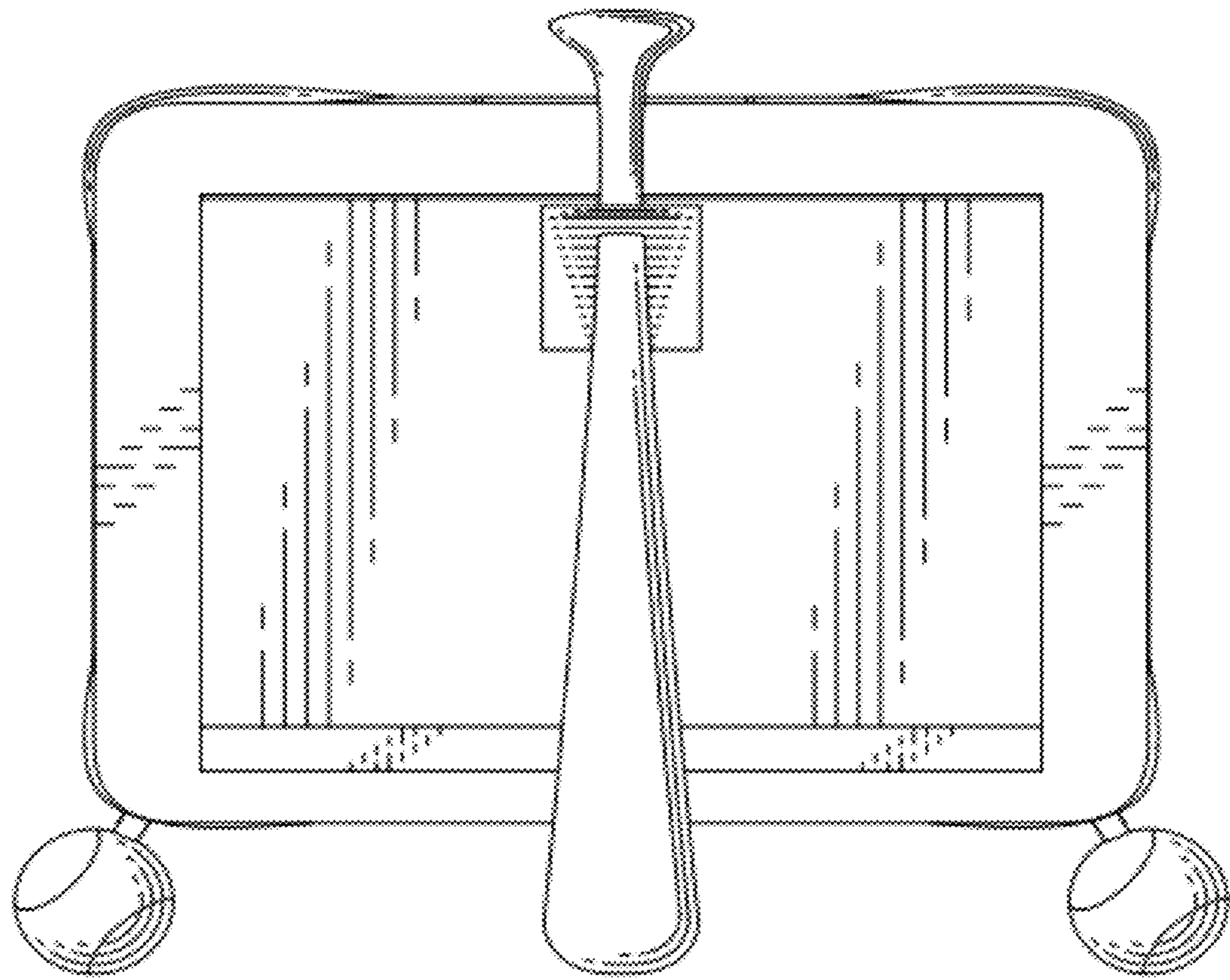


FIG. 3

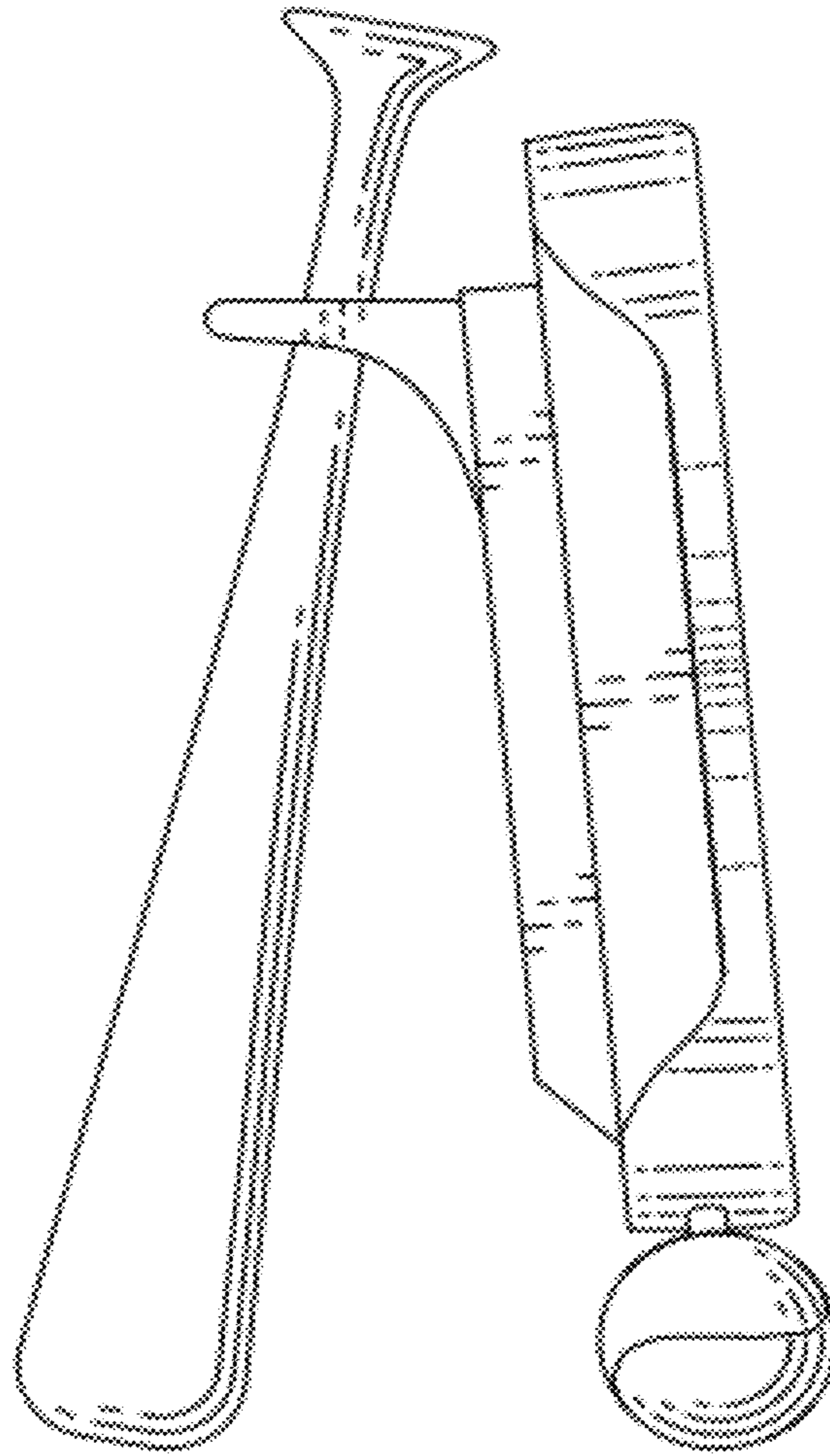


FIG. 4

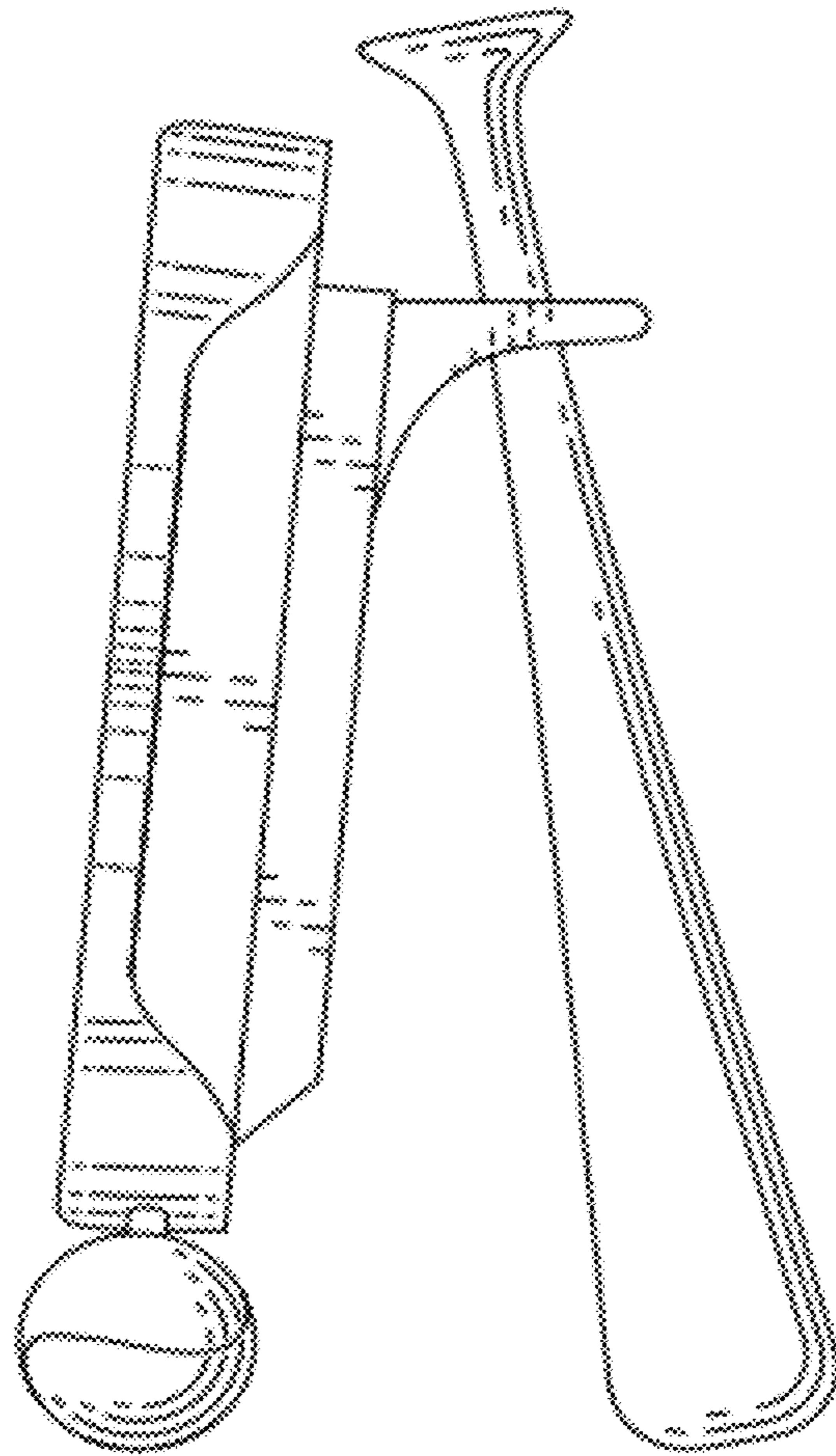


FIG. 5

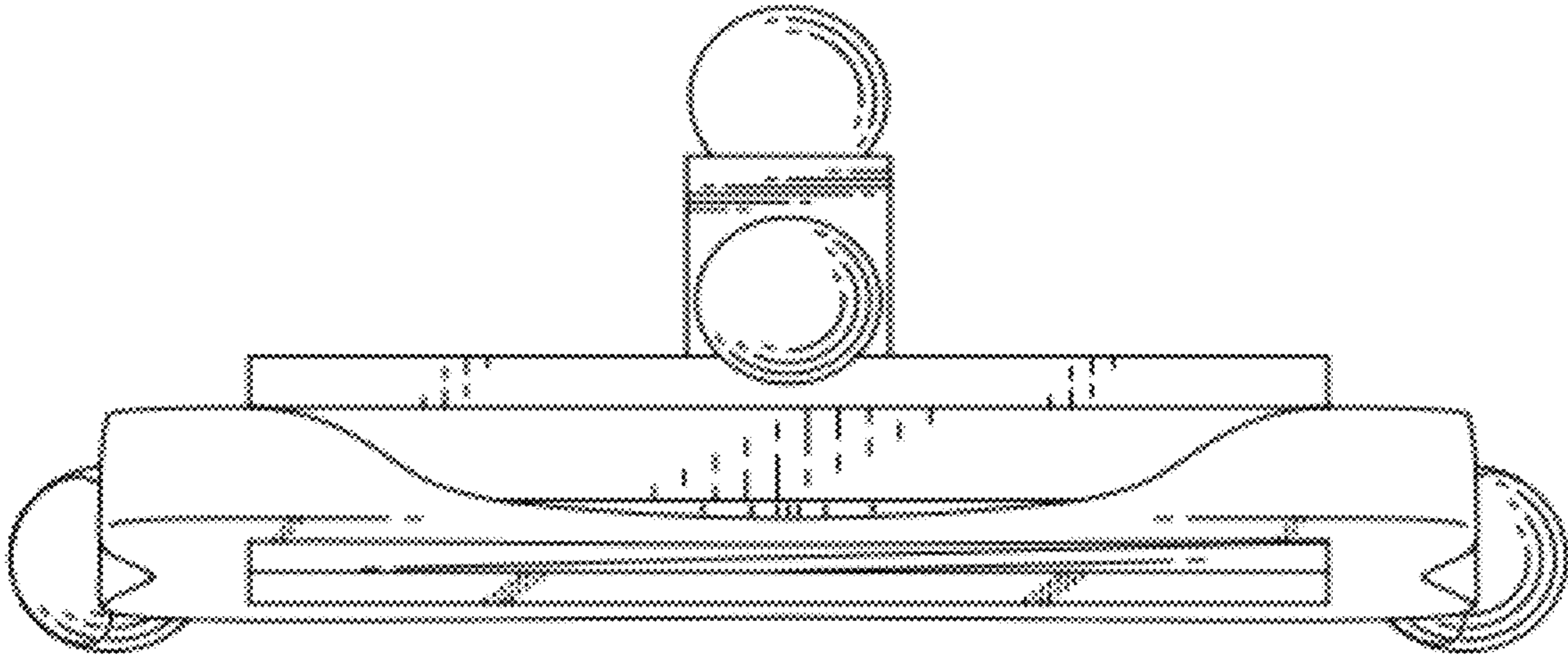


FIG. 6

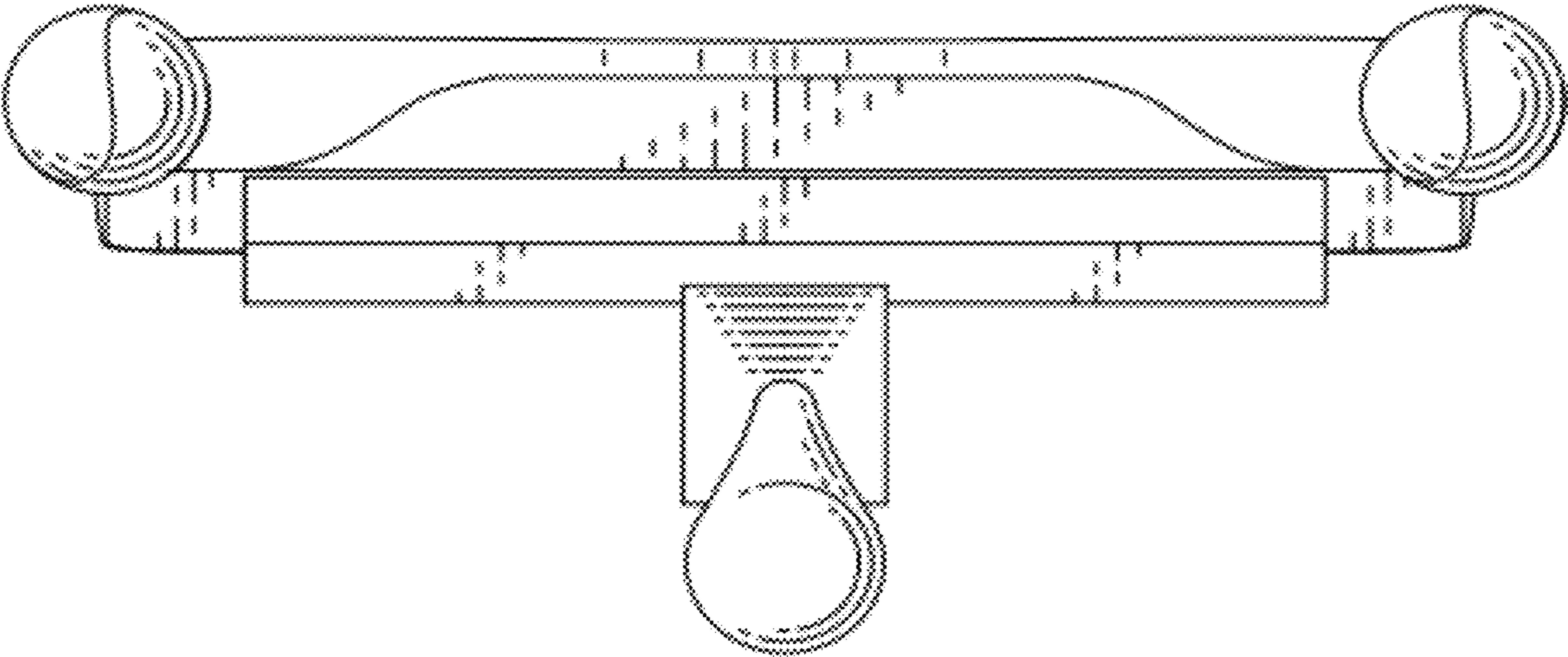


FIG. 7