

US00D661491S

(12) **United States Design Patent**  
**Bunnag et al.**

(10) **Patent No.:** **US D661,491 S**  
(45) **Date of Patent:** **\*\* Jun. 12, 2012**

(54) **SMOOTH ROLLER**

(75) Inventors: **Paradee Bunnag**, Waynesboro, VA  
(US); **James Naderi**, Richmond, VA  
(US)

(73) Assignee: **American Safety Razor**, Verona, VA  
(US)

(\*\*) Term: **14 Years**

(21) Appl. No.: **29/362,049**

(22) Filed: **May 19, 2010**

(51) **LOC (9) Cl.** ..... **04-01**

(52) **U.S. Cl.** ..... **D4/122**

(58) **Field of Classification Search** ..... D4/122,  
D4/138; 15/27, 104.001, 104.002, 230.11;  
492/13, 16-19

See application file for complete search history.

(56) **References Cited**

**U.S. PATENT DOCUMENTS**

|              |         |           |       |        |
|--------------|---------|-----------|-------|--------|
| D198,835 S * | 8/1964  | Martin    | ..... | D4/122 |
| D206,258 S * | 11/1966 | Roth      | ..... | D4/122 |
| D235,278 S * | 6/1975  | Janssen   | ..... | D4/122 |
| D248,055 S * | 5/1978  | MacGregor | ..... | D18/58 |

|              |         |                |       |        |
|--------------|---------|----------------|-------|--------|
| D458,032 S * | 6/2002  | Er             | ..... | D4/122 |
| D532,203 S * | 11/2006 | Tuman et al.   | ..... | D4/122 |
| D616,650 S * | 6/2010  | Saadian        | ..... | D4/122 |
| D627,565 S * | 11/2010 | Tyce et al.    | ..... | D4/102 |
| D638,222 S * | 5/2011  | Molinet et al. | ..... | D4/122 |
| D655,993 S * | 3/2012  | Bunnag et al.  | ..... | D8/15  |

\* cited by examiner

*Primary Examiner* — Austin Murphy

(74) *Attorney, Agent, or Firm* — McDermott Will & Emery  
LLP

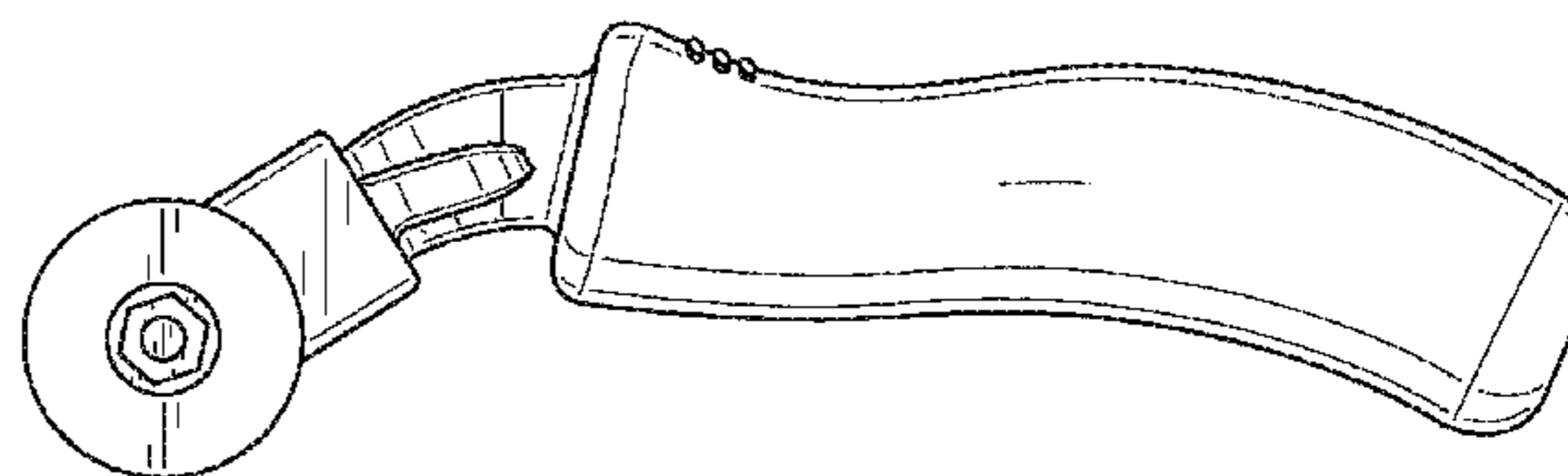
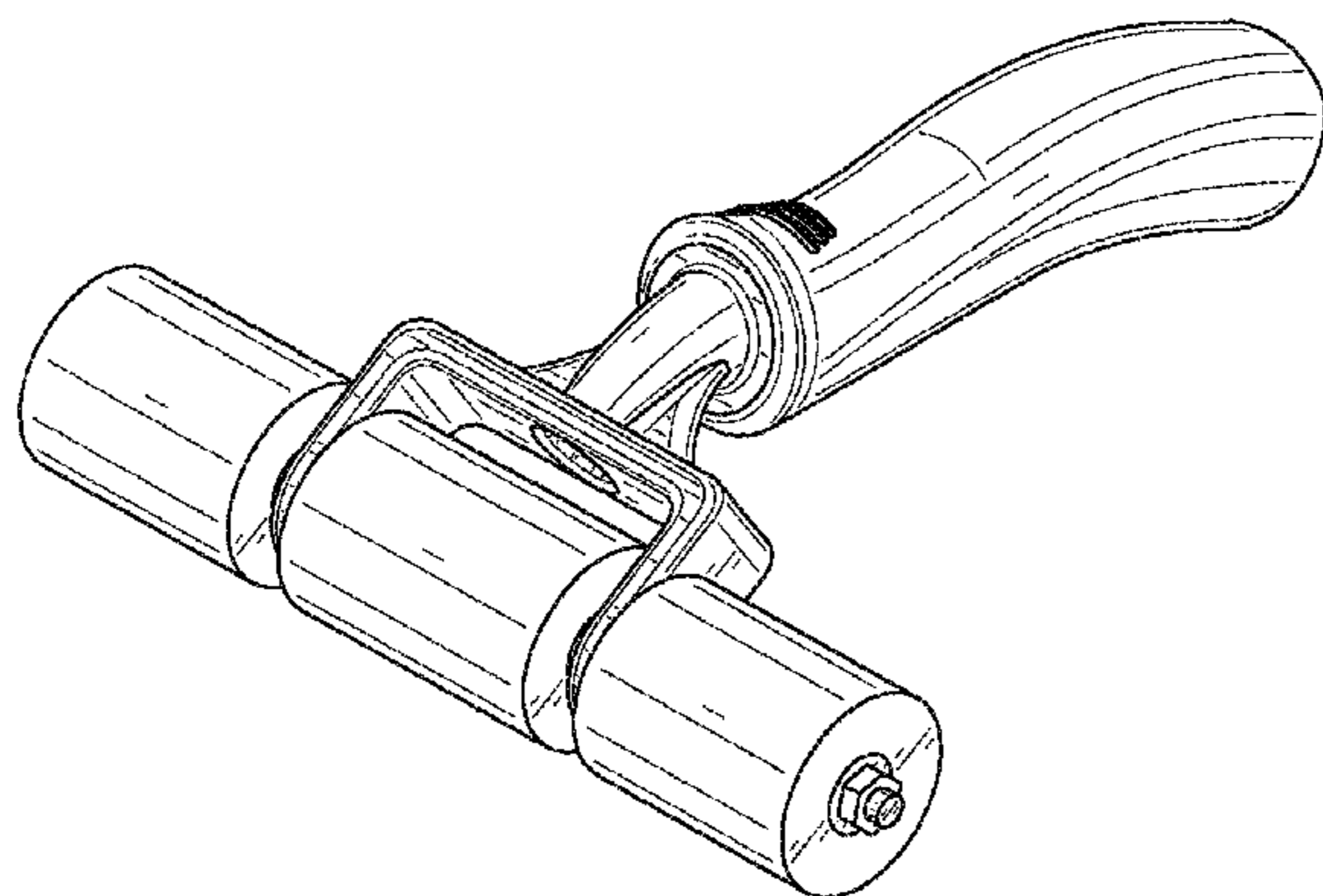
(57) **CLAIM**

The ornamental design for a smooth roller, as shown and described.

**DESCRIPTION**

FIG. 1 is a top perspective view of the smooth roller, showing the new design;  
FIG. 2 is a front view of the smooth roller;  
FIG. 3 is a rear view of the smooth roller;  
FIG. 4 is a side view of the smooth roller;  
FIG. 5 is another side view of the smooth roller;  
FIG. 6 is a top view of the smooth roller; and,  
FIG. 7 is a bottom view of the smooth roller.

**1 Claim, 5 Drawing Sheets**



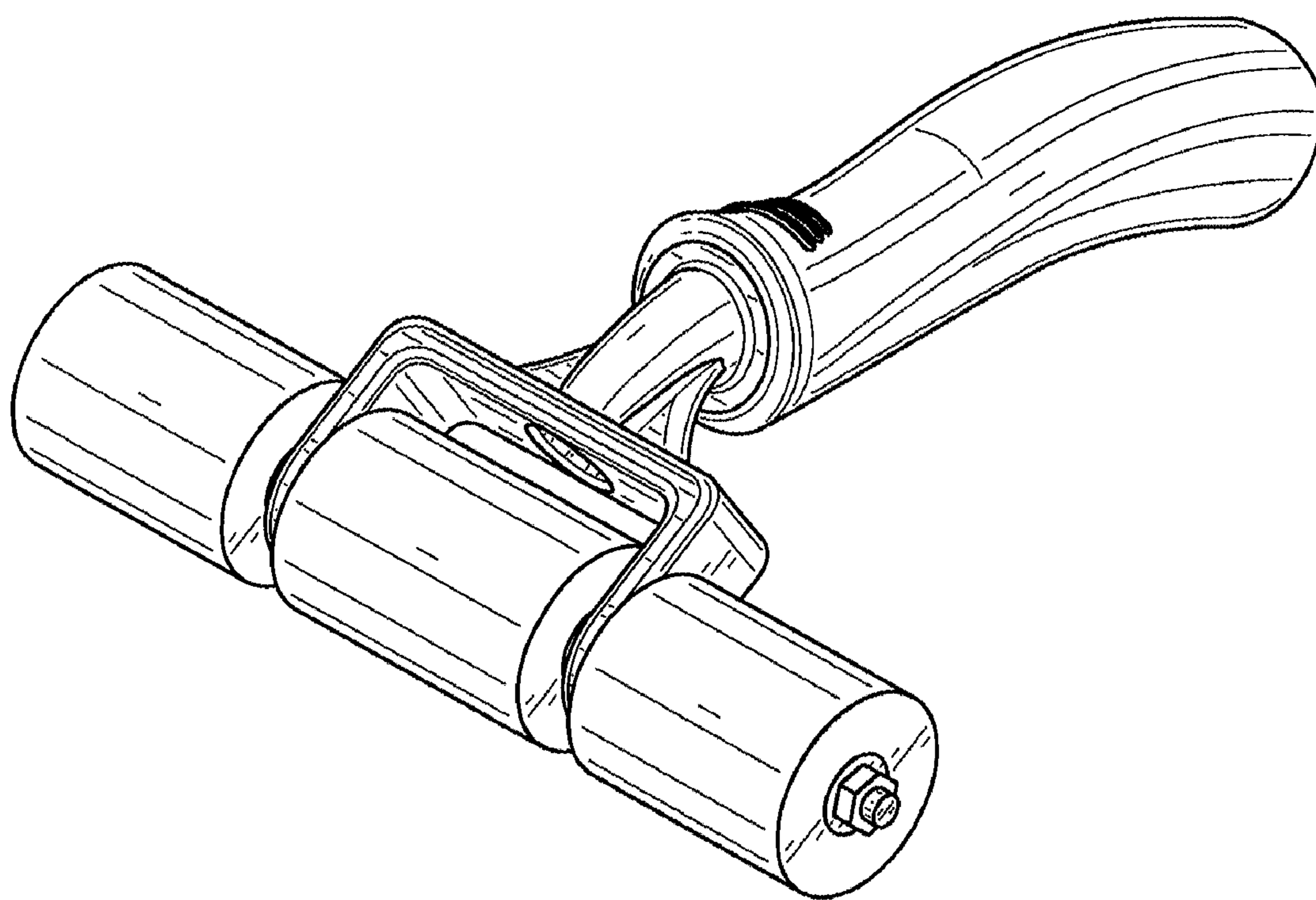


FIG. 1

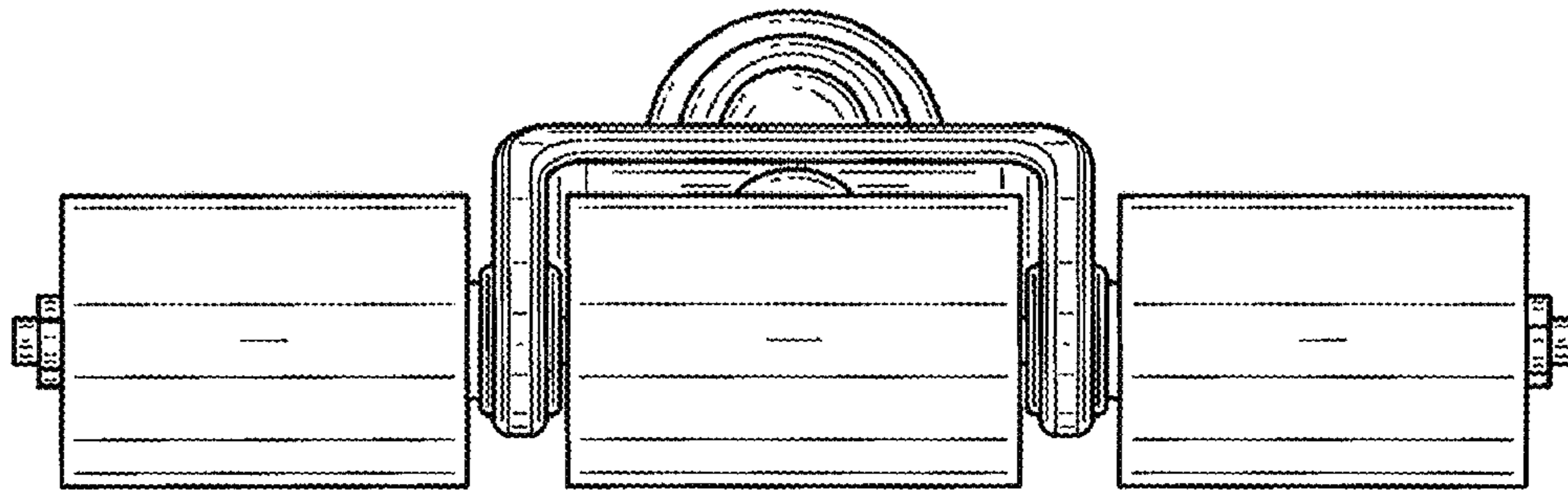


FIG. 2

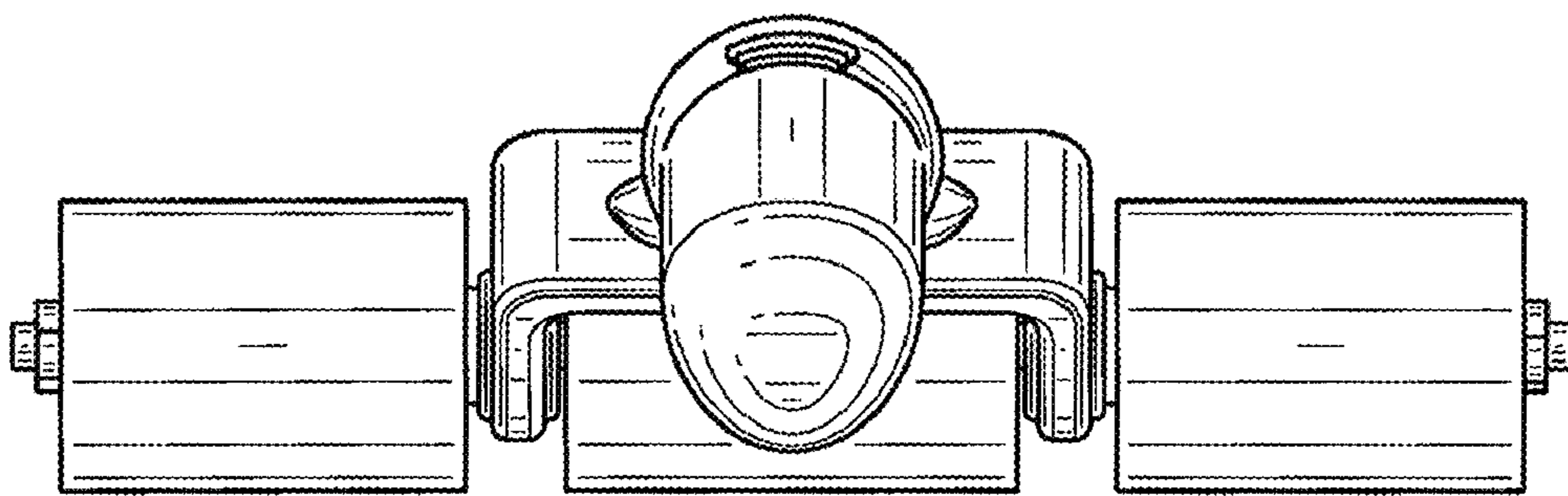


FIG. 3

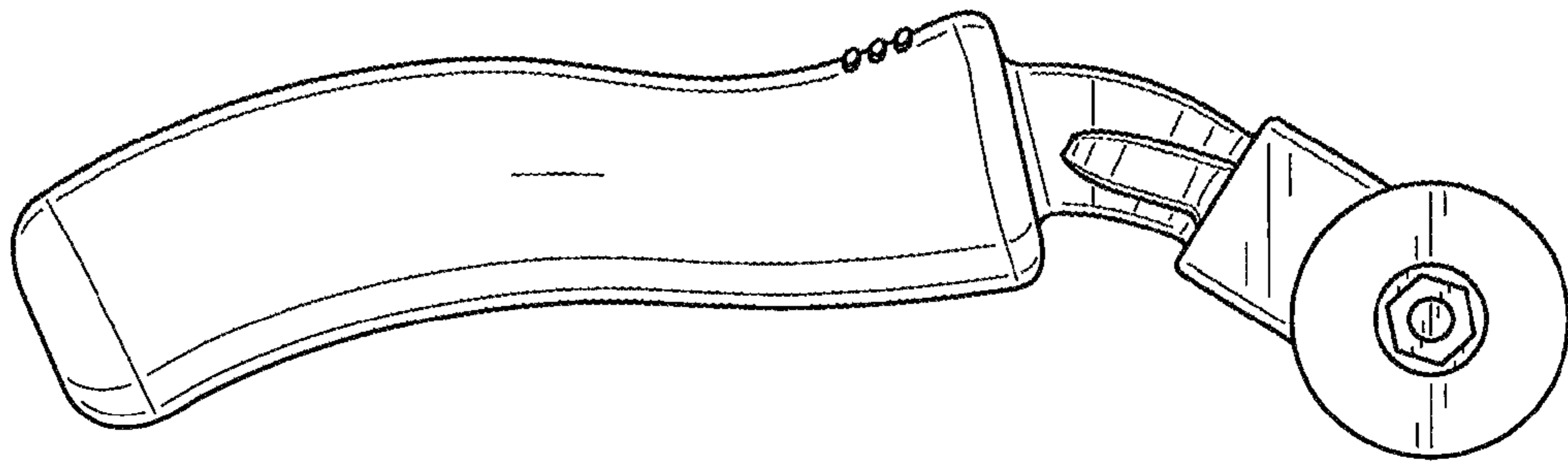


FIG. 4

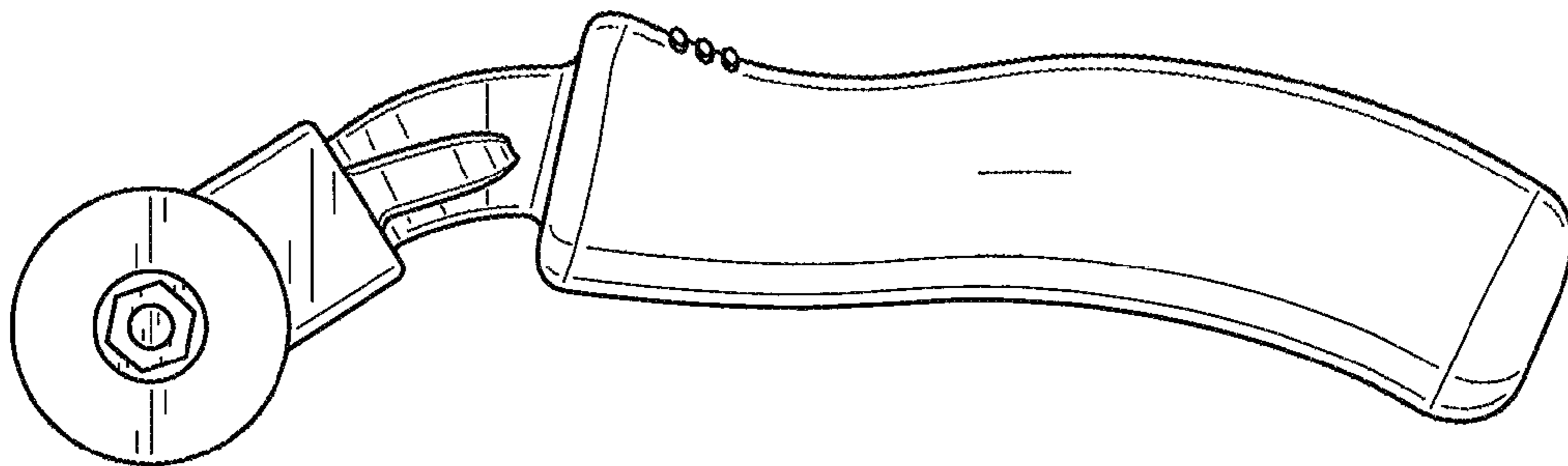


FIG. 5

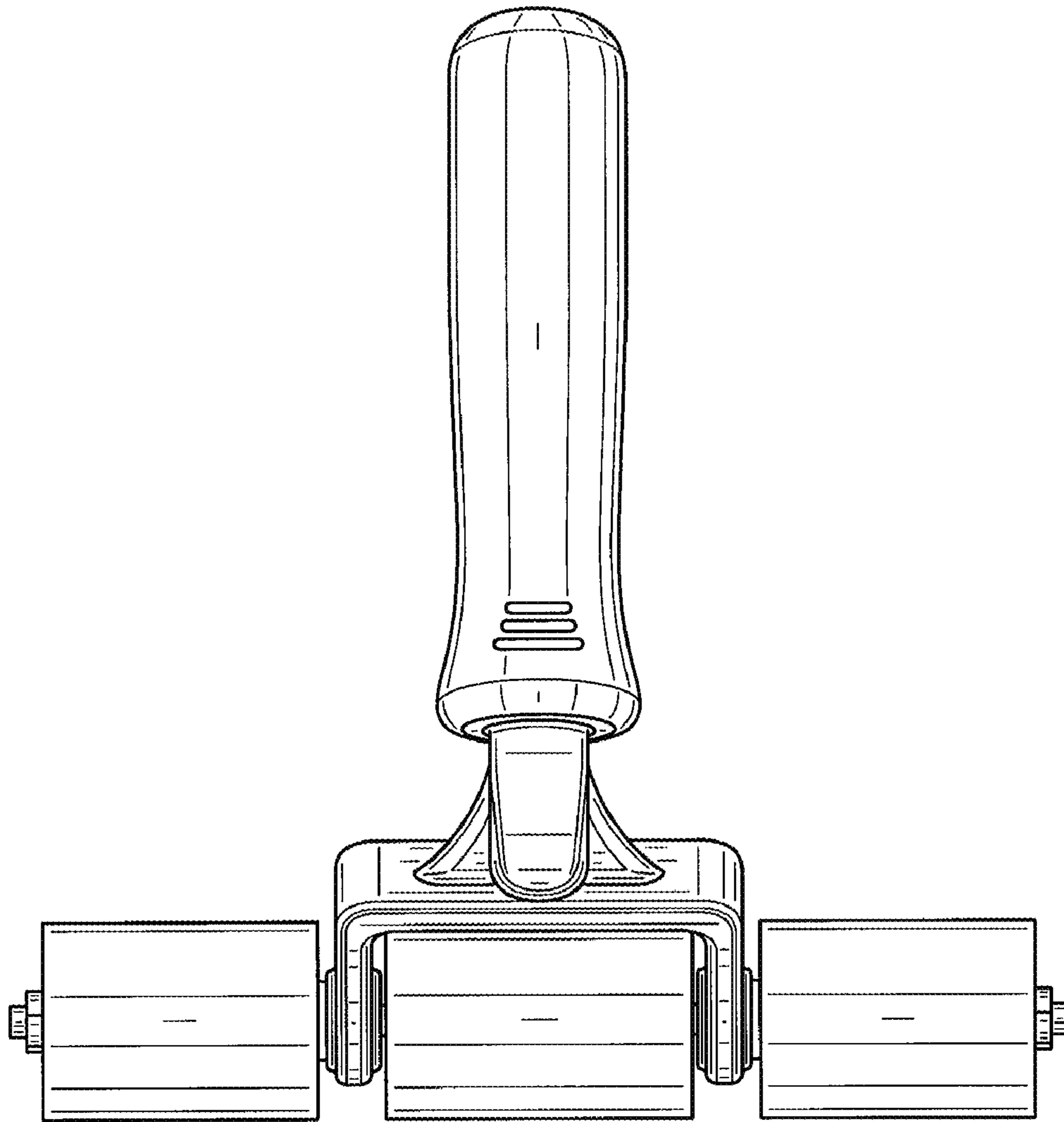


FIG. 6

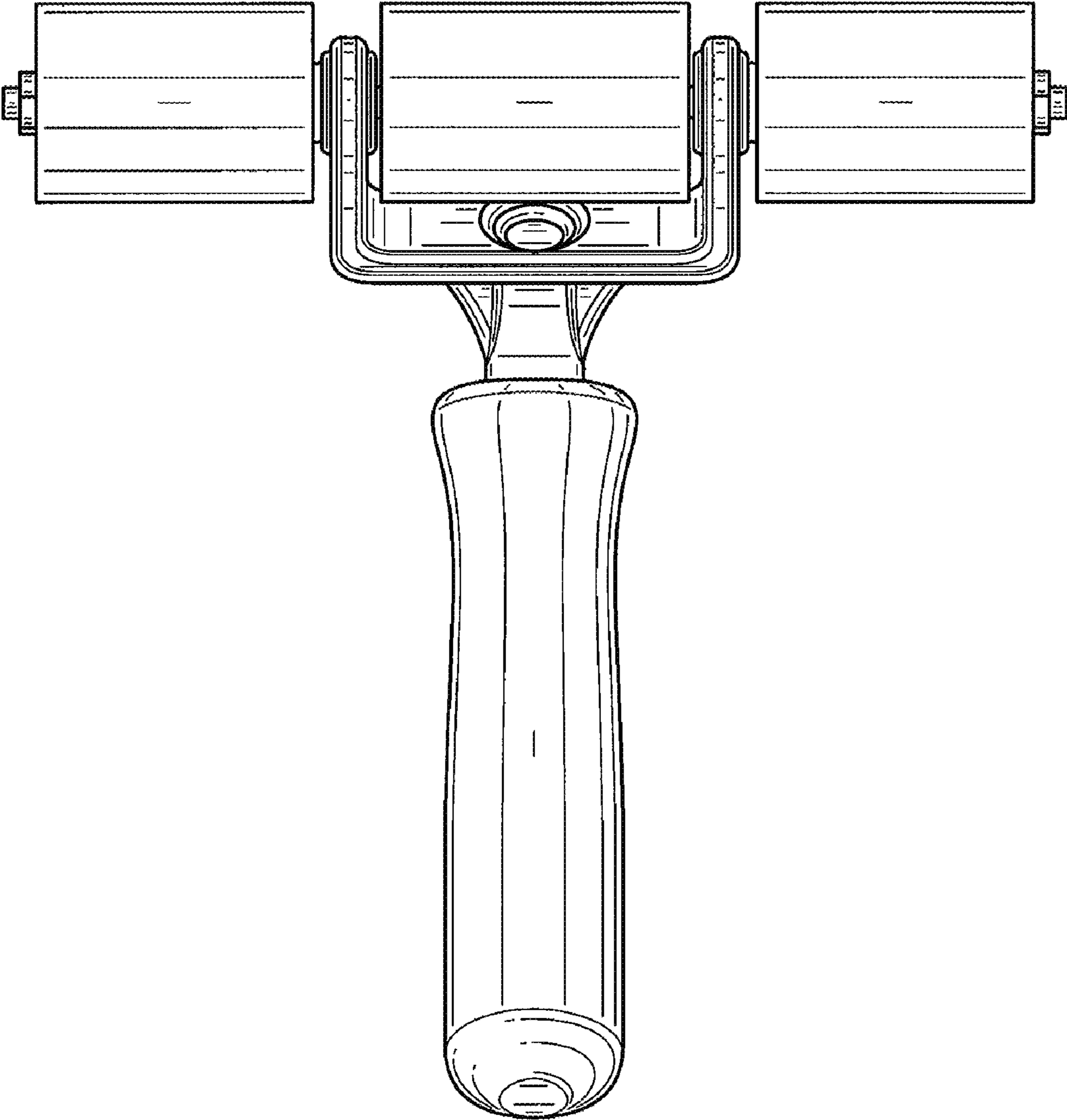


FIG. 7