



US00D661488S

(12) **United States Design Patent**
Kraemer

(10) **Patent No.:** **US D661,488 S**
(45) **Date of Patent:** **** Jun. 12, 2012**

(54) **ORGANIZER WITH HANDLES**
(75) Inventor: **Kevin Kraemer**, Cuyahoga Falls, OH
(US)

D563,673 S 3/2008 Dretzka
D579,662 S 11/2008 Dretzka
D590,596 S 4/2009 Dretzka

(73) Assignee: **InterDesign, Inc.**, Solon, OH (US)

(**) Term: **14 Years**

(21) Appl. No.: **29/372,472**

(22) Filed: **Nov. 24, 2010**

(51) **LOC (9) Cl.** **03-01**

(52) **U.S. Cl.** **D3/304**

(58) **Field of Classification Search** D6/313-315,
D6/304-305, 318-319; D19/75-77, 81-83;
D9/432; 206/505-506, 508, 510-511;
220/486-495, 752, 760, 762, 764, 768-769,
220/771, 773, 570-571; D3/313-315, 304-305,
D3/318-319

See application file for complete search history.

(56) **References Cited**

U.S. PATENT DOCUMENTS

D434,369 S * 11/2000 Matthies D12/426
D466,074 S * 11/2002 Hoy D12/426
D525,308 S * 7/2006 Lara D19/92
D530,516 S 10/2006 Snell
D530,918 S 10/2006 Snell
D530,919 S 10/2006 Snell
D530,920 S 10/2006 Snell
D530,921 S * 10/2006 Snell D3/304
D547,064 S 7/2007 Snell
D549,456 S 8/2007 Dretzka
D549,457 S 8/2007 Dretzka
D551,453 S 9/2007 Snell
D555,904 S 11/2007 Snell
D557,047 S 12/2007 Dretzka

OTHER PUBLICATIONS

InterDesign, Inc. Product Catalog—2000, pp. 36, 46.
InterDesign, Inc. Product Catalog—2001, p. 10.
InterDesign, Inc. Product Catalog—2003, p. 56.
InterDesign, Inc. Product Catalog—2005, pp. 33, 42, 43.
InterDesign, Inc. Product Catalog—2006, pp. 46, 47, 61.
InterDesign, Inc. Product Catalog—2007, pp. 61, 63.
InterDesign, Inc. Product Catalog—2008, pp. 20, 21, 23, 24, 25, 99,
104.
InterDesign, Inc. Product Catalog—2009, pp. 15, 82, 83, 84, 85, 87,
94, 95.

* cited by examiner

Primary Examiner — Kelley Donnelly

(74) *Attorney, Agent, or Firm* — D. Peter Hochberg; Sean F.
Mellino; Daniel J. Smola

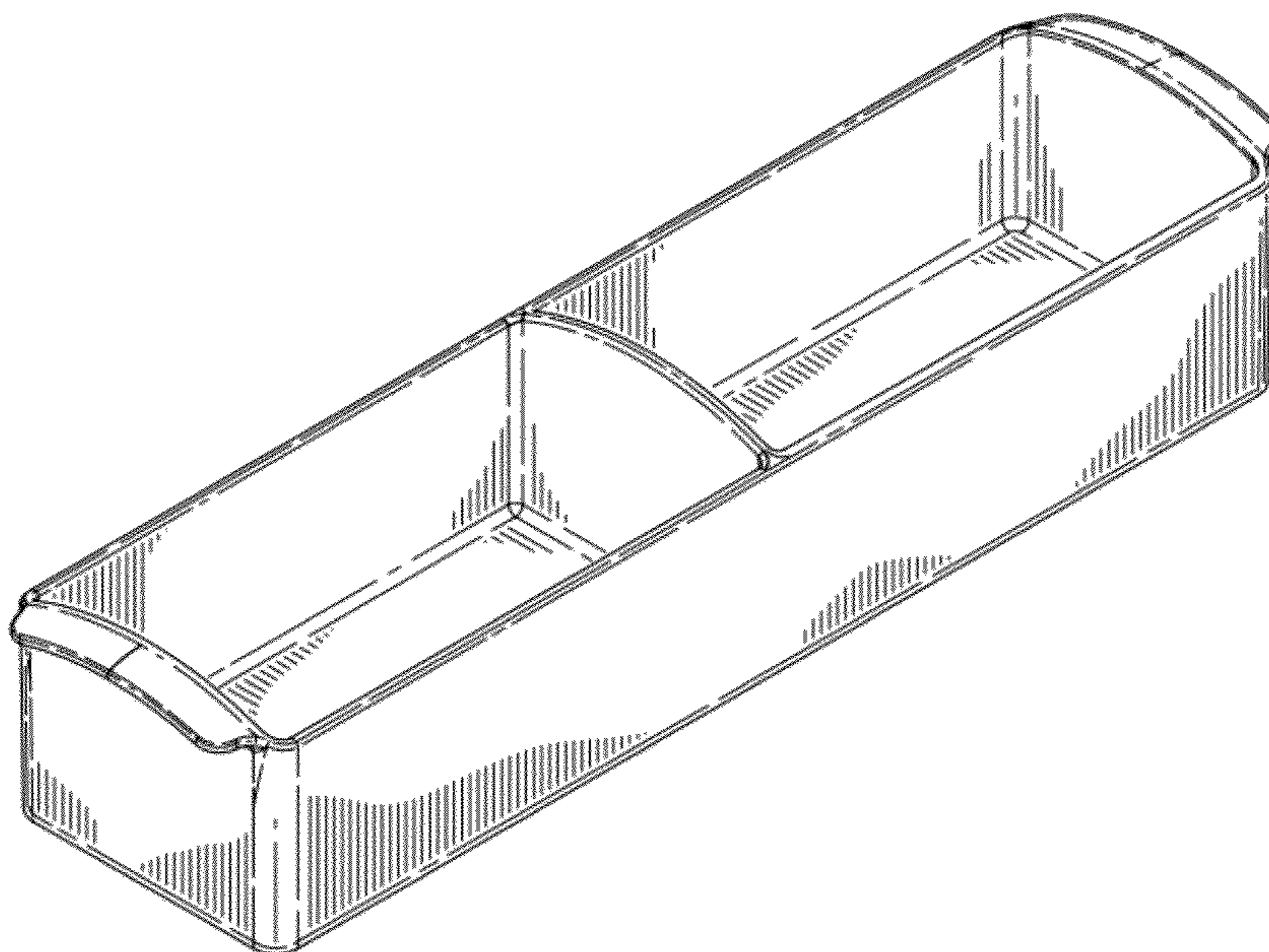
(57) **CLAIM**

The ornamental design for an organizer with handles, as
shown and described.

DESCRIPTION

FIG. 1 is a perspective view of the organizer with handles
according to the invention;
FIG. 2 is a top view of the organizer with handles as shown in
FIG. 1;
FIG. 3 is a front view of the organizer with handles as shown
in FIG. 1, which is identical to the rear view;
FIG. 4 is a side view of the organizer with handles as shown
in FIG. 1, which is identical to the other side view; and,
FIG. 5 is a bottom view of the organizer with handles as
shown in FIG. 1.

1 Claim, 2 Drawing Sheets



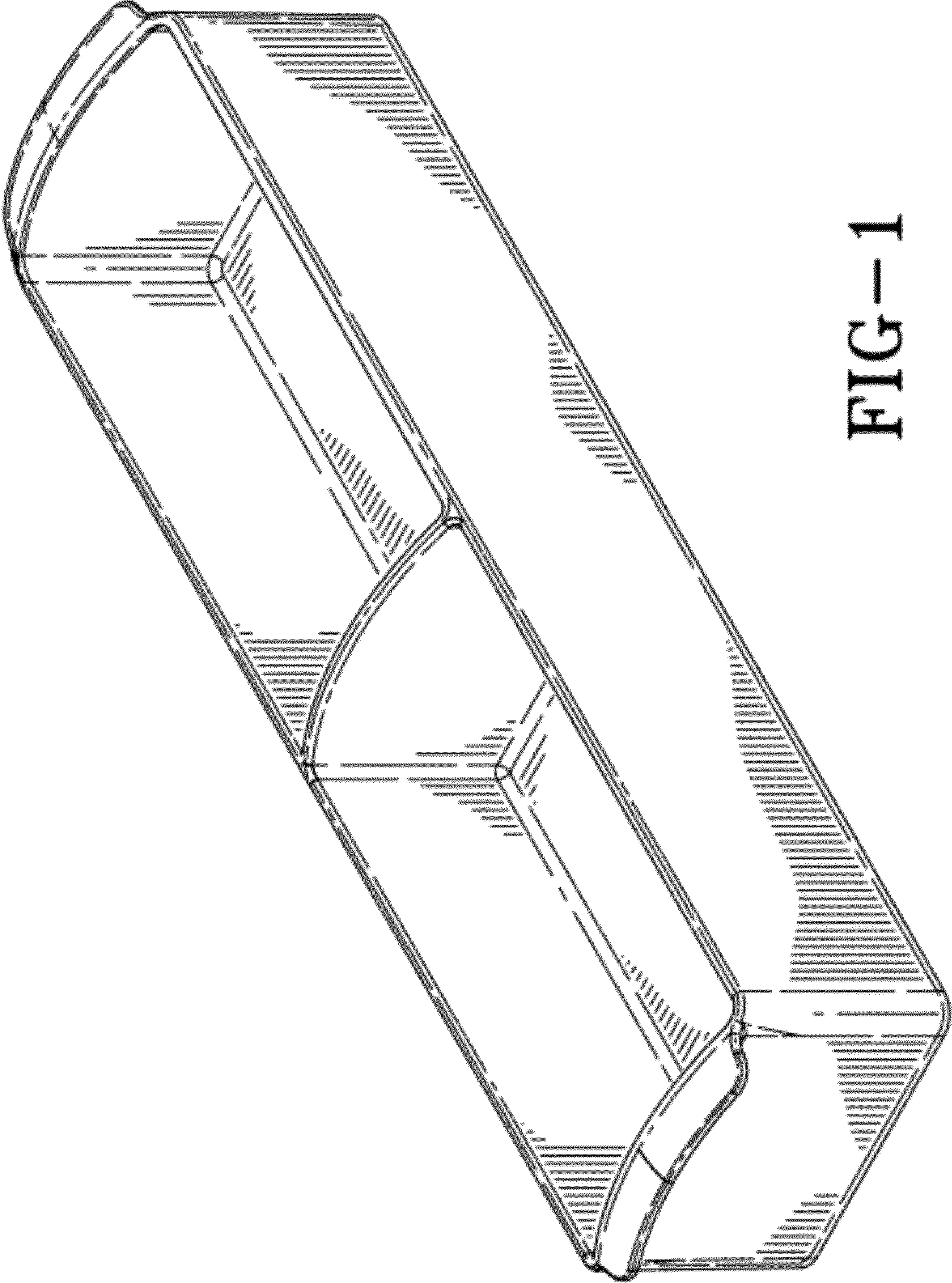


FIG-1

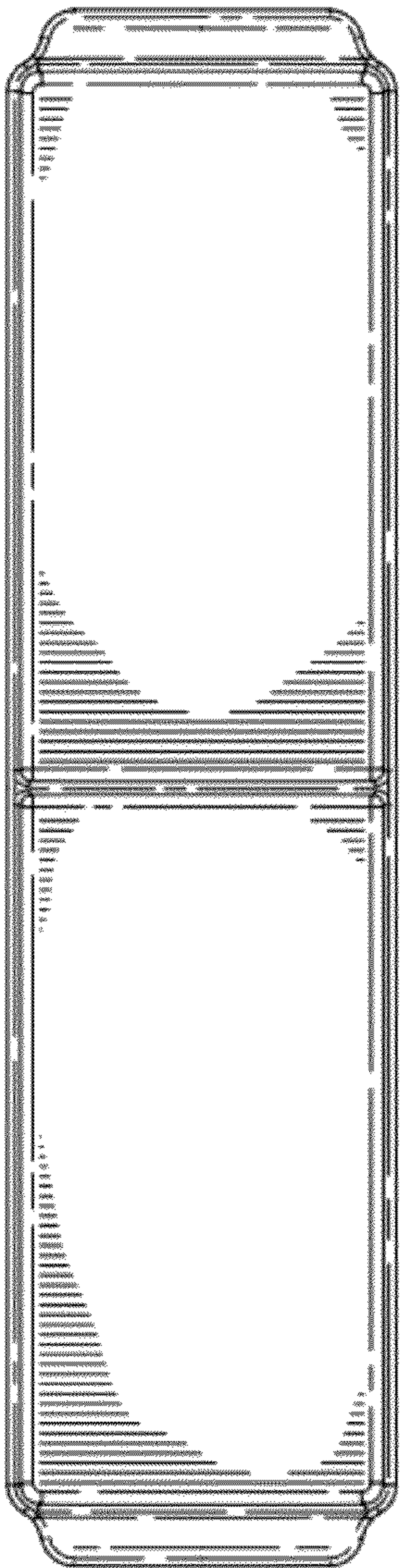


FIG-2

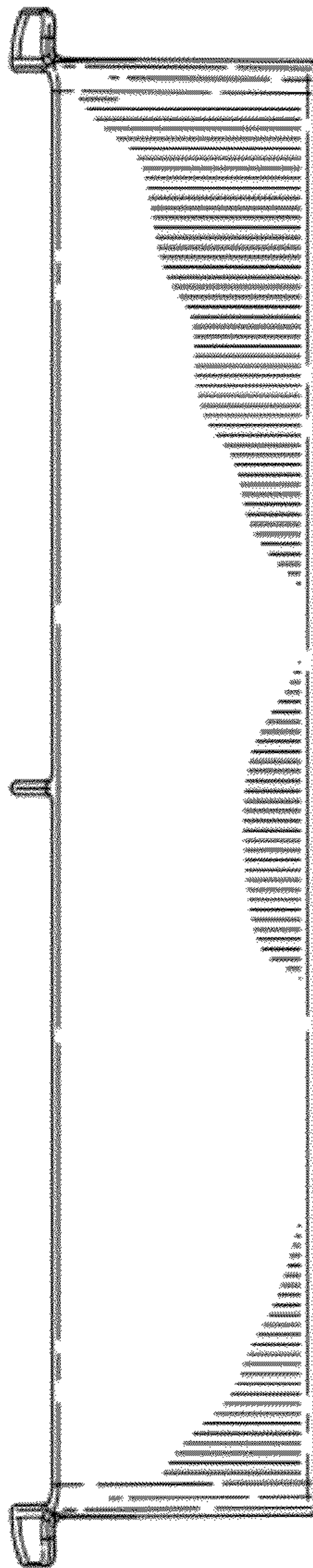


FIG-3

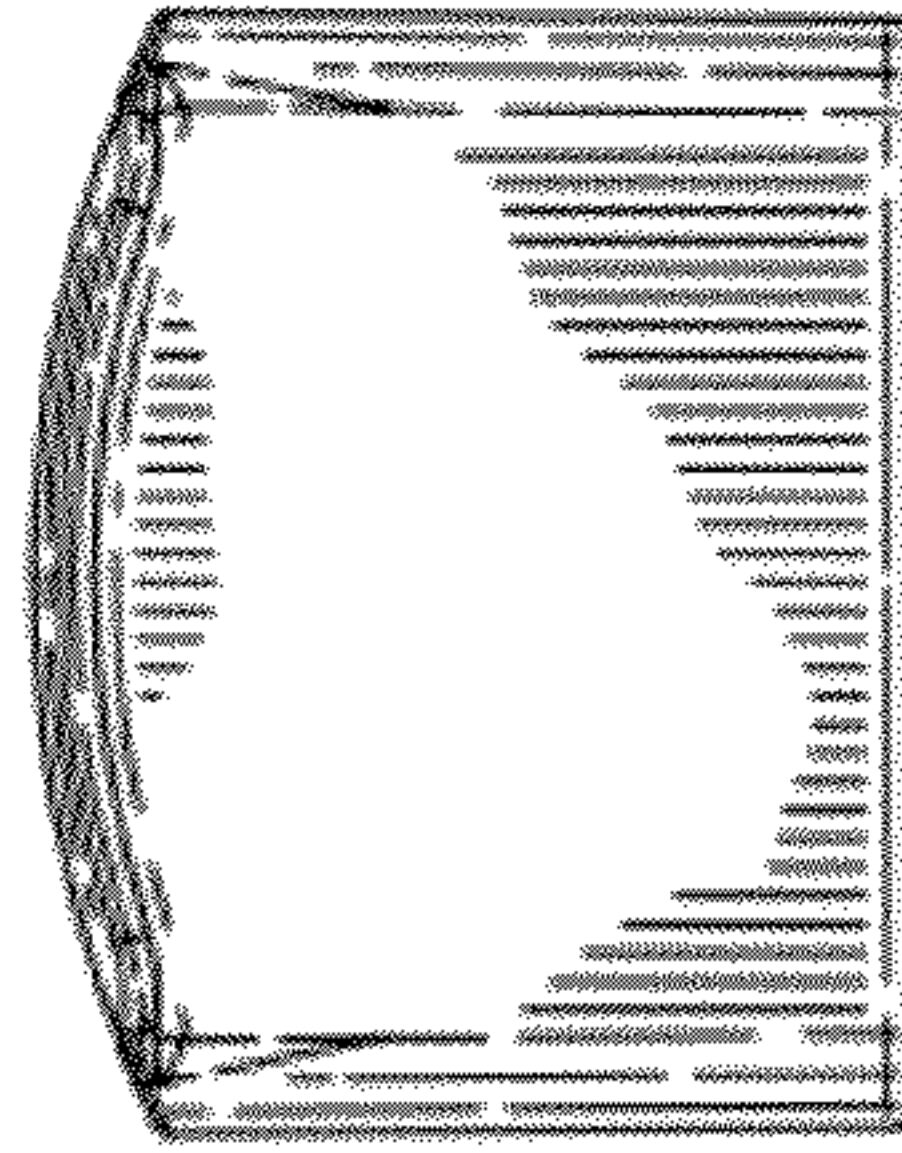


FIG-4

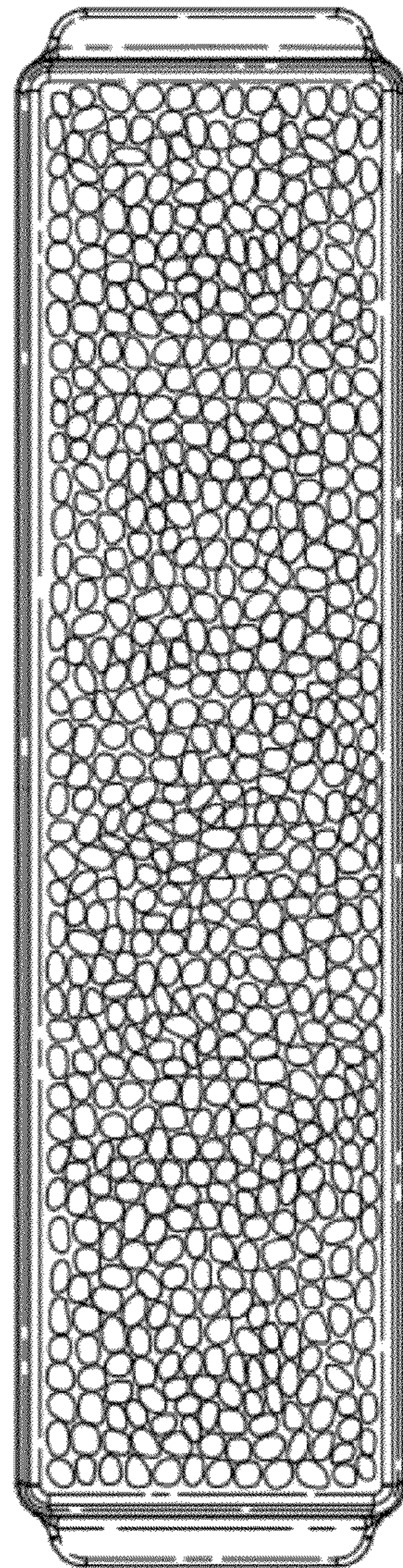


FIG-5