

US00D661480S

(12) **United States Design Patent**
van der Lande

(10) **Patent No.:** **US D661,480 S**

(45) **Date of Patent:** **** Jun. 12, 2012**

(54) **OWL-SHAPED LED KEY CAP**

(75) Inventor: **Jan van der Lande**, New York, NY (US)

(73) Assignee: **Kikkerland Design Inc**, New York, NY (US)

(**) Term: **14 Years**

(21) Appl. No.: **29/394,304**

(22) Filed: **Jun. 15, 2011**

(51) **LOC (9) Cl.** **03-01**

(52) **U.S. Cl.** **D3/211**

(58) **Field of Classification Search** 63/26-28,
63/32; D3/207-212; D8/16, 38, 347, 348;
70/456 B, 457, 458; 206/37.1; D21/576,
D21/593, 594, 606, 609, 610, 611, 659, 660
See application file for complete search history.

(56) **References Cited**

U.S. PATENT DOCUMENTS

2,138,309 A * 11/1938 Stevenson 40/330
D190,598 S * 6/1961 Manzardo D8/348
D316,029 S * 4/1991 Taramaschi D8/354

D326,297 S * 5/1992 Noshiro D21/531
D336,941 S * 6/1993 Leung D21/606
D636,987 S * 5/2011 van der Lande D3/211

* cited by examiner

Primary Examiner — Ralf Seifert

(74) *Attorney, Agent, or Firm* — Cascio & Zervas

(57) **CLAIM**

The ornamental design for an owl-shaped LED key cap, as shown and described.

DESCRIPTION

FIG. 1 is a front elevational view of the owl-shaped LED key cap showing my design;

FIG. 2 is a rear elevational view thereof;

FIG. 3 is a top plan view thereof;

FIG. 4 is a bottom plan view thereof;

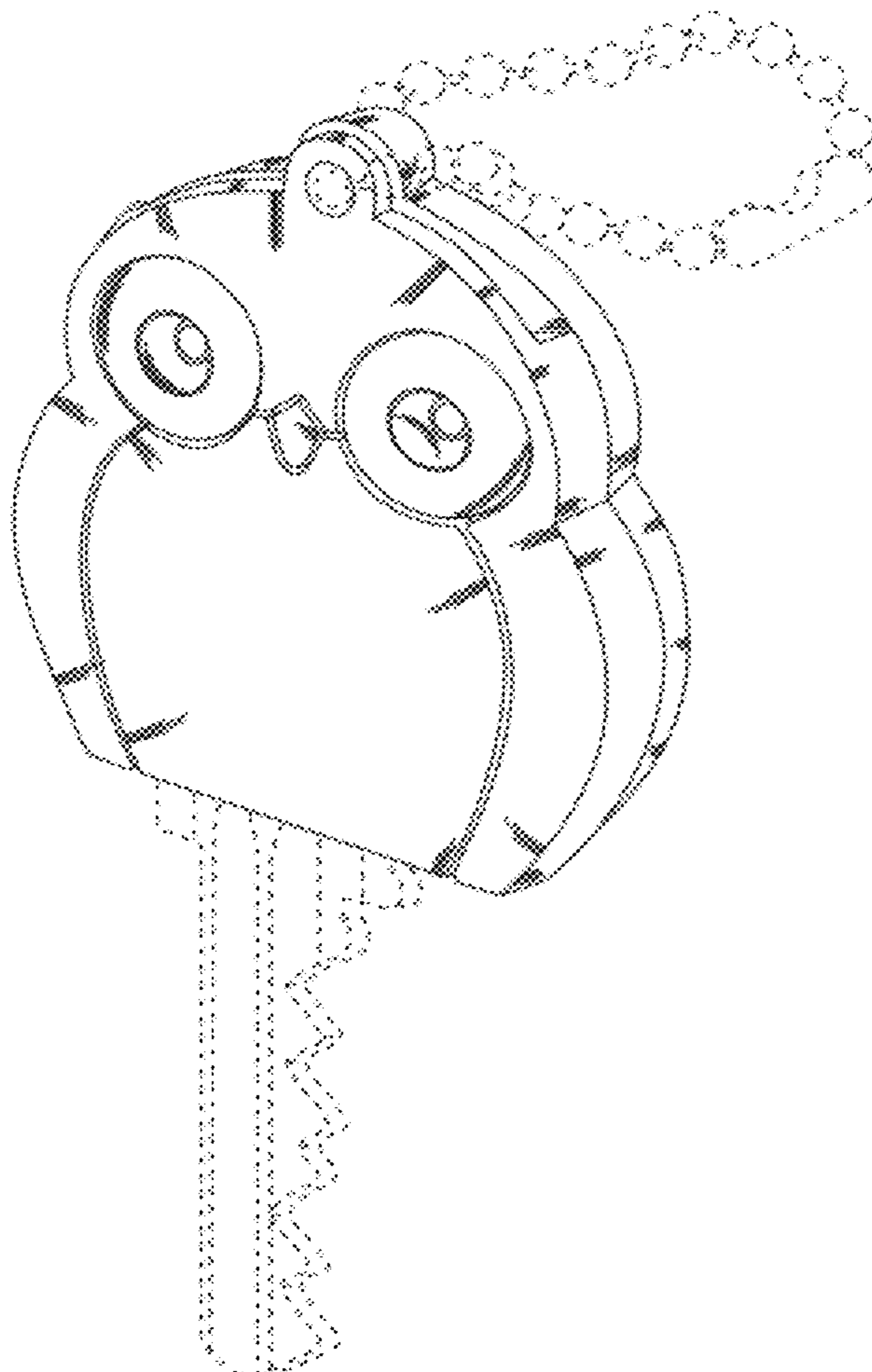
FIG. 5 is a left side elevational view thereof;

FIG. 6 is a right side elevational view thereof; and,

FIG. 7 is a front perspective view thereof.

The broken lines in the Figures showing a key and chain are for illustration purposes only and form no part of the claimed design.

1 Claim, 3 Drawing Sheets



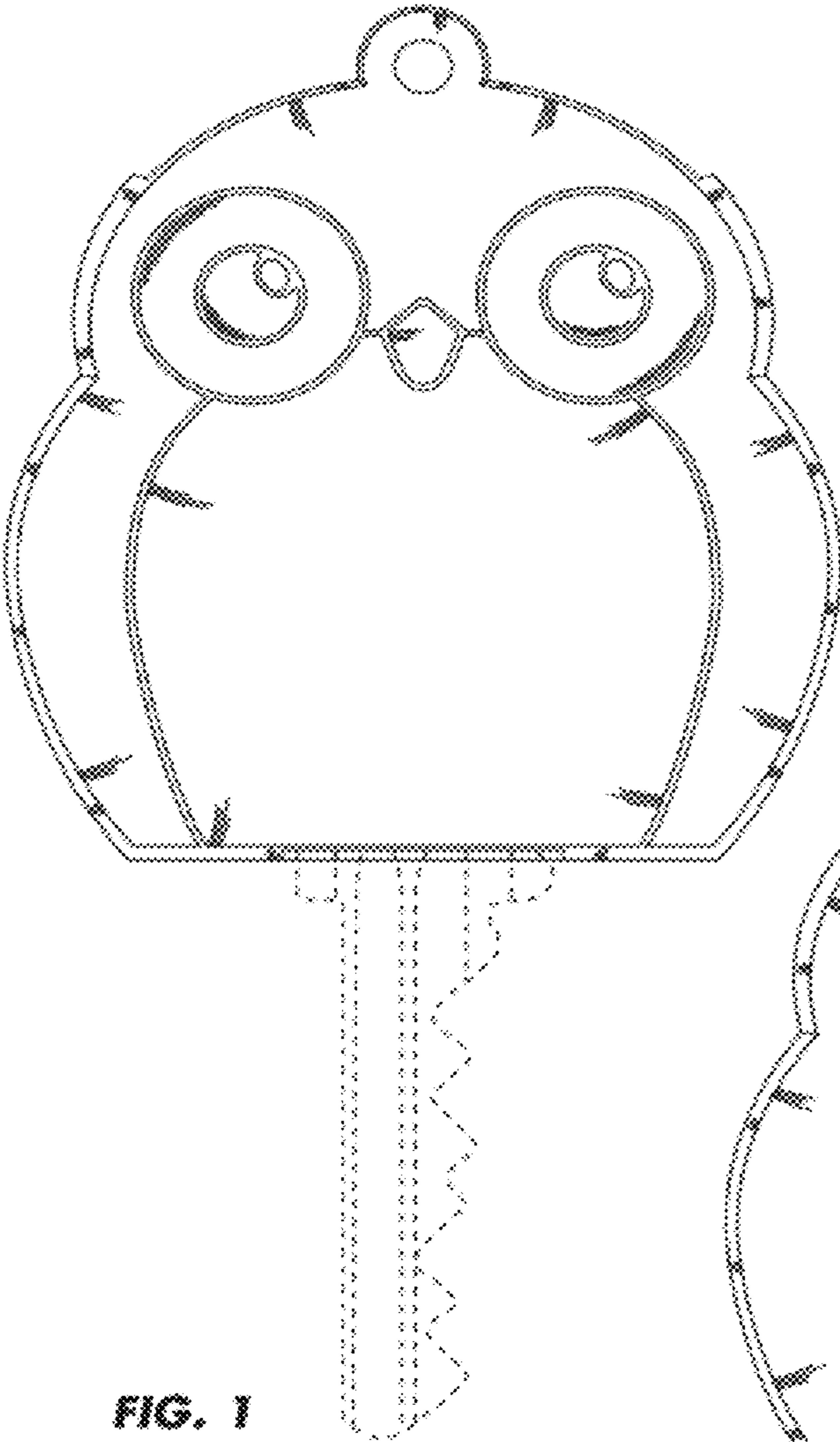


FIG. 1

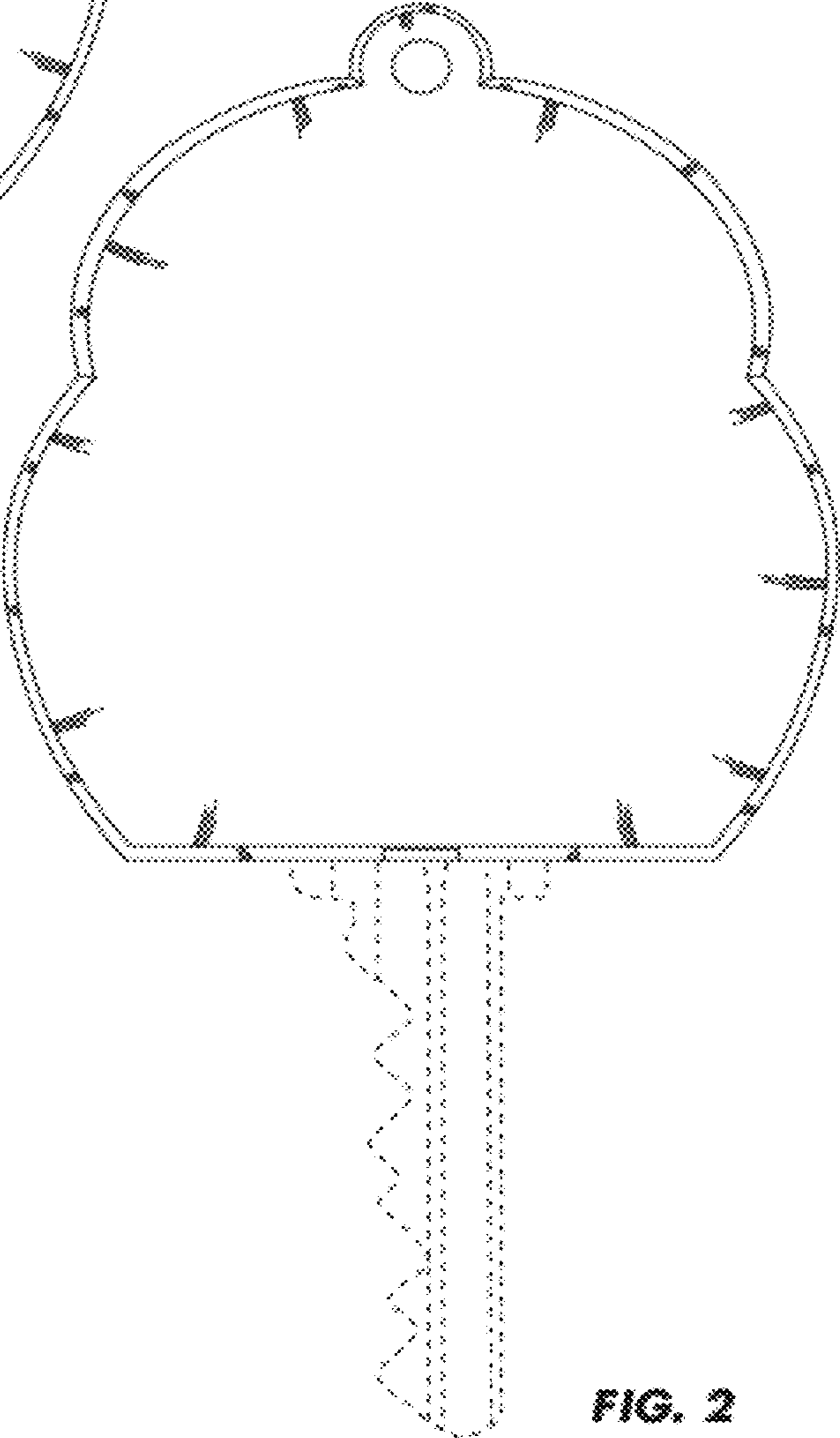


FIG. 2

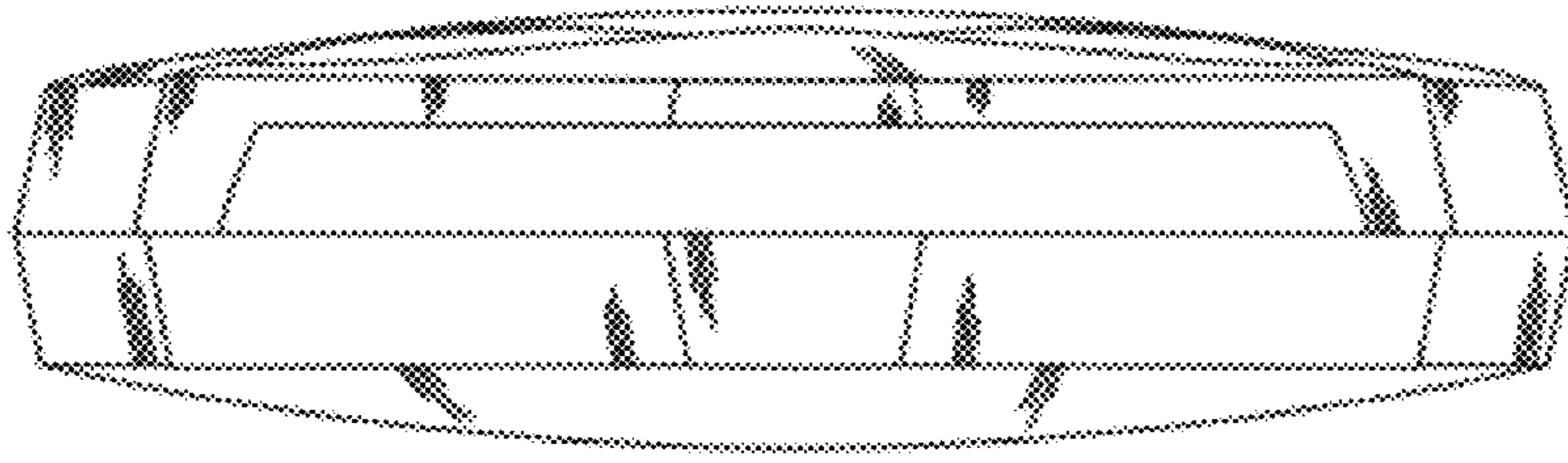


FIG. 3

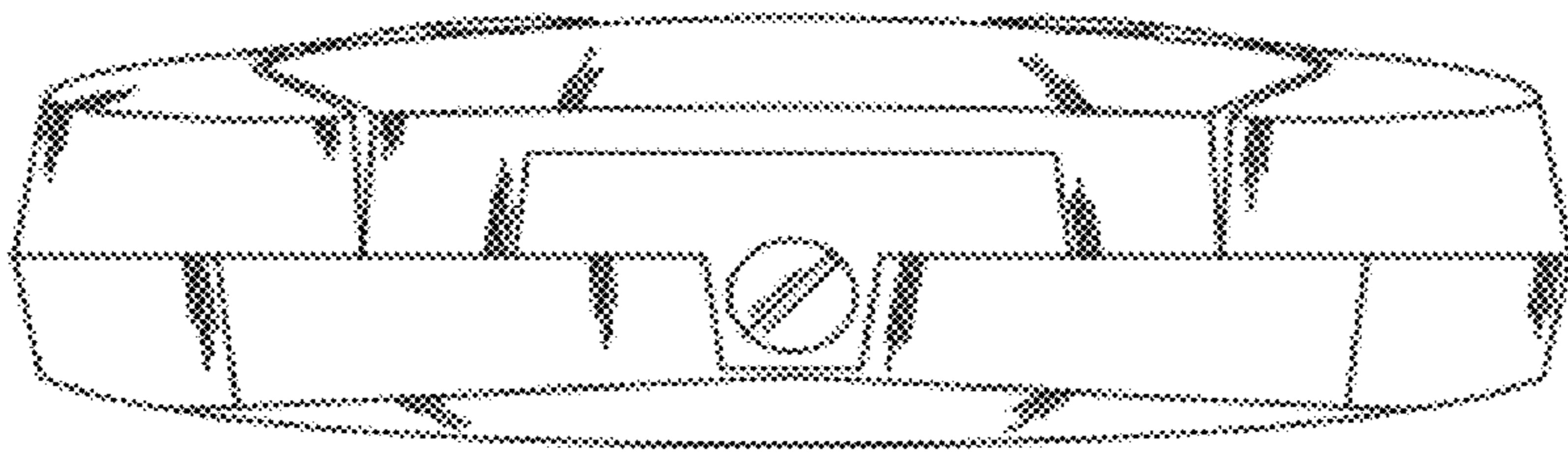


FIG. 4

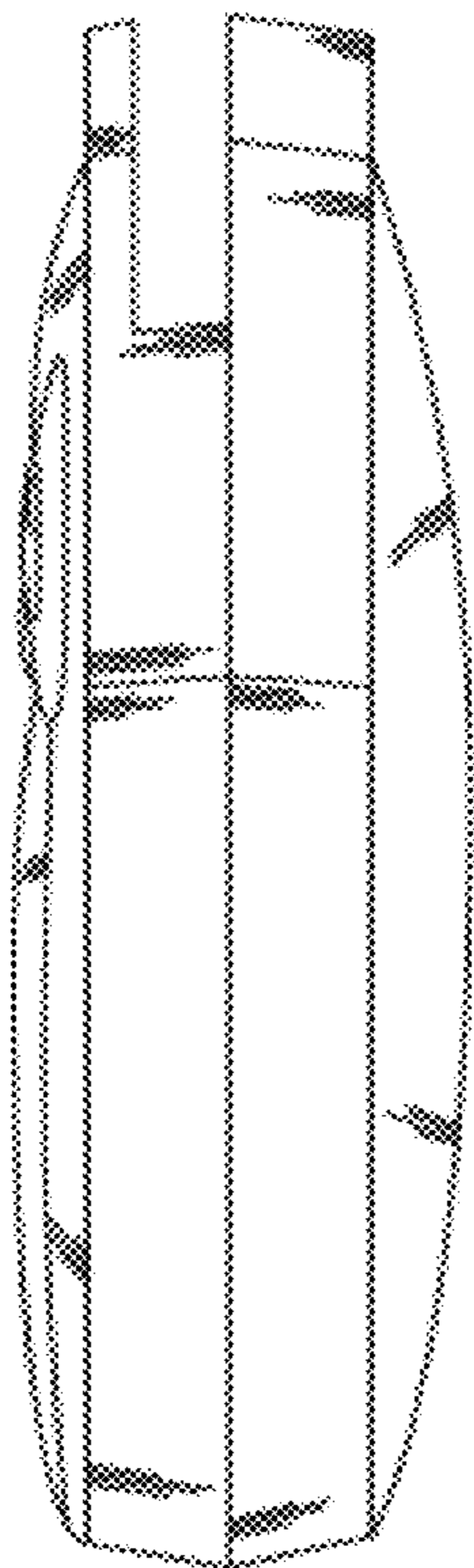


FIG. 5

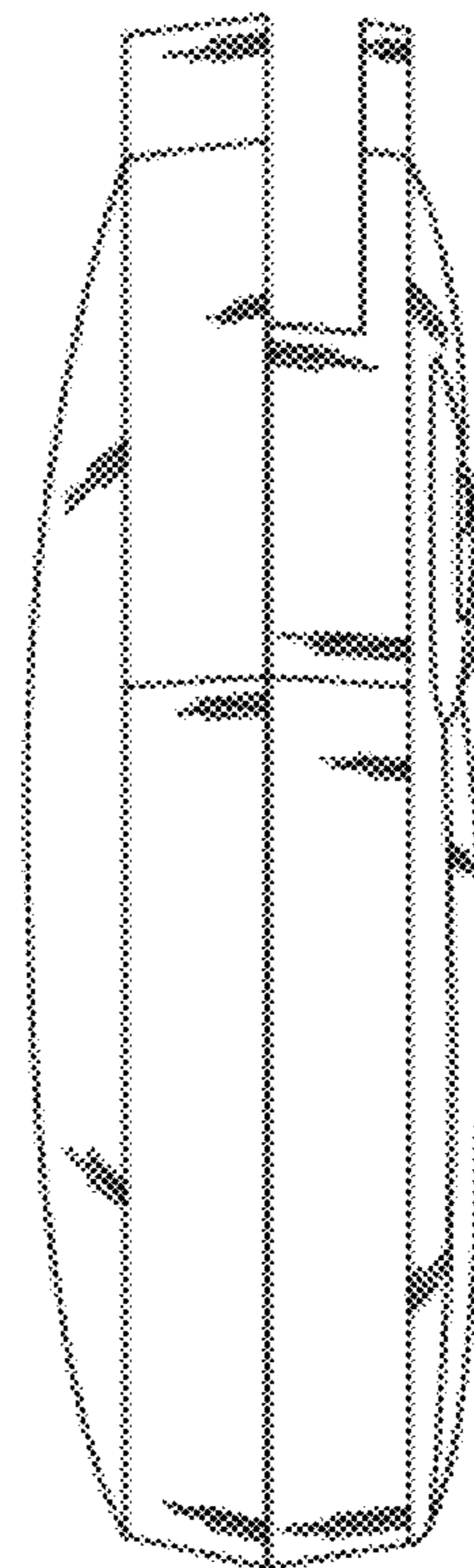


FIG. 6

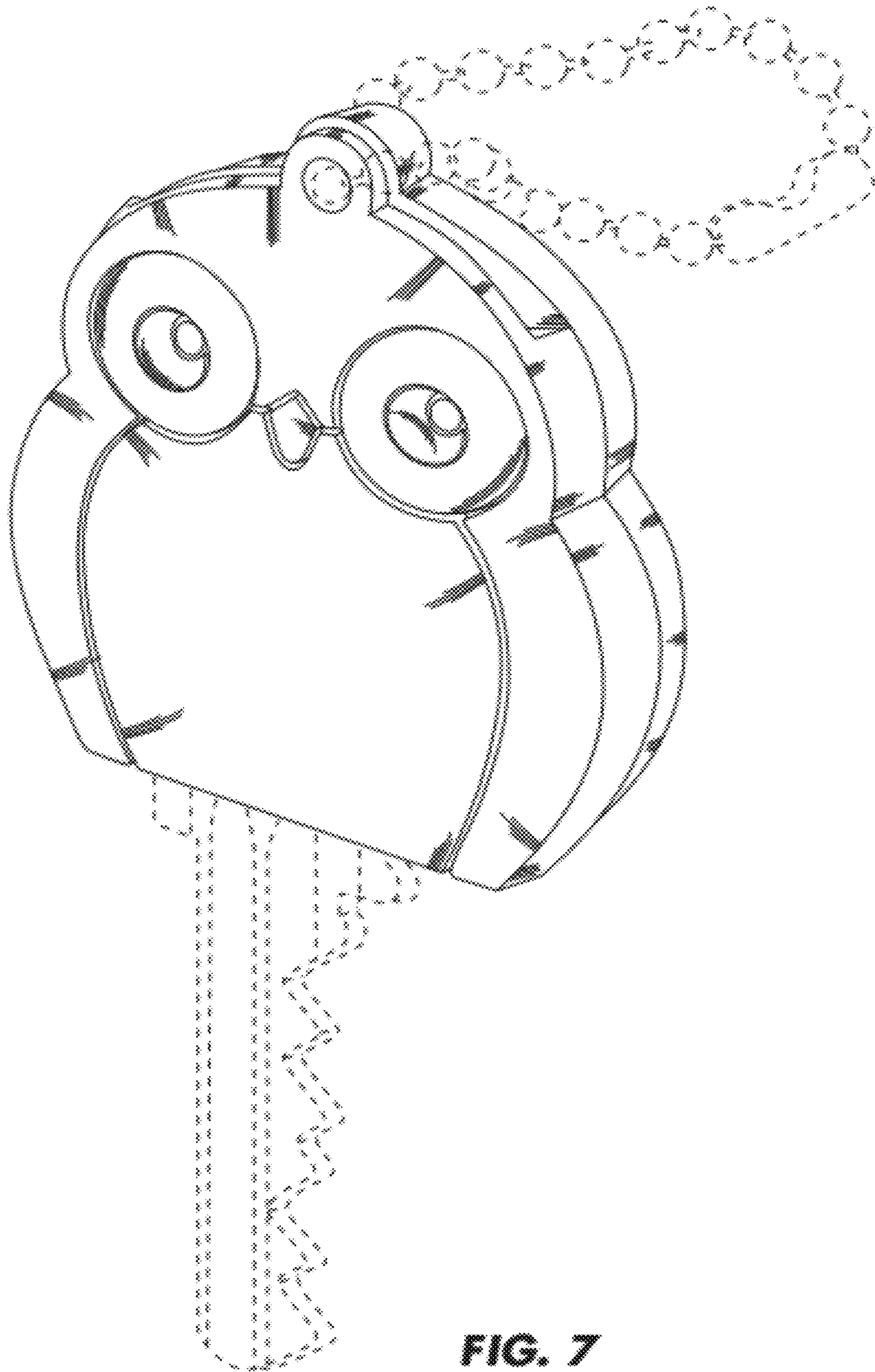


FIG. 7