



US00D661479S

(12) **United States Design Patent**  
**Wu**

(10) **Patent No.:** **US D661,479 S**

(45) **Date of Patent:** **\*\* Jun. 12, 2012**

(54) **LED KEY FOB IN THE SHAPE OF A KEY**

D528,880 S \* 9/2006 Belflower ..... D8/16  
D598,423 S \* 8/2009 Lamarche et al. .... D14/191  
D645,626 S \* 9/2011 Lariviere ..... D32/46

(75) Inventor: **Liuning Wu**, Ningbo (CN)

\* cited by examiner

(73) Assignee: **Ningbo Worth International Trade Co., Ltd.**, Ningbo (CN)

*Primary Examiner* — Ralf Seifert

(74) *Attorney, Agent, or Firm* — Thomas I. Rozsa

(\*\*) Term: **14 Years**

(57) **CLAIM**

The ornamental design for an LED key fob in the shape of a key, as shown and described.

(21) Appl. No.: **29/374,479**

**DESCRIPTION**

(22) Filed: **Aug. 19, 2011**

(51) **LOC (9) Cl.** ..... **03-01**

(52) **U.S. Cl.** ..... **D3/211**

(58) **Field of Classification Search** ..... D11/1-2,  
D11/14, 26-29, 89-92, 44, 48, 81, 99; 63/26-28,  
63/32; D3/207-212; D8/38; 70/456 B;  
206/37.1; D13/168

FIG. 1 is a side-front perspective view of the LED key fob in the shape of a key, showing my new design;  
FIG. 2 is a side-rear perspective view thereof;  
FIG. 3 is front view thereof;  
FIG. 4 is a rear view thereof;  
FIG. 5 is a right side view thereof;  
FIG. 6 is a left side view thereof;  
FIG. 7 is a top view thereof; and,  
FIG. 8 is a bottom view thereof.

See application file for complete search history.

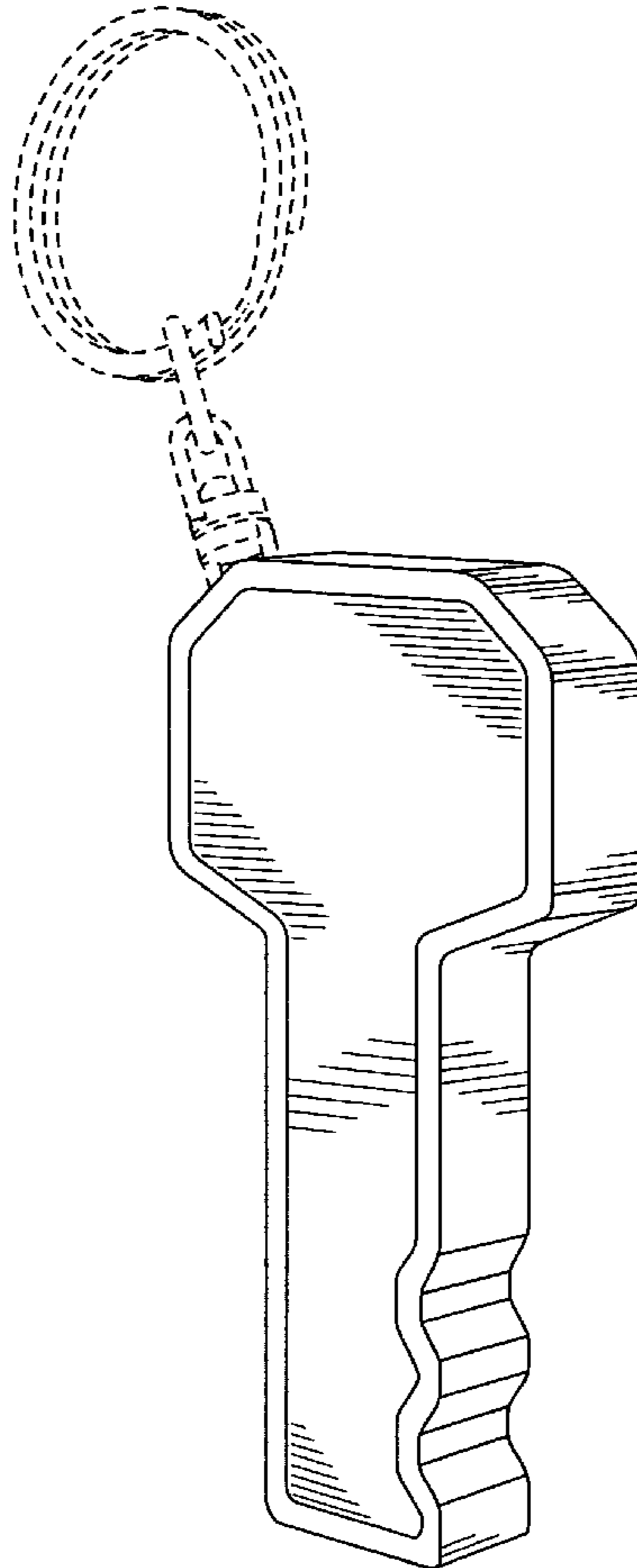
The broken line showing of a key attachment element if FIGS. 1-8 is included for the purpose of illustrating environmental matter and forms no part of the claimed design.

(56) **References Cited**

**U.S. PATENT DOCUMENTS**

D256,964 S \* 9/1980 Santana ..... D3/208  
D501,715 S \* 2/2005 Etienne ..... D3/211  
D522,235 S \* 6/2006 Kell et al. .... D3/211

**1 Claim, 6 Drawing Sheets**



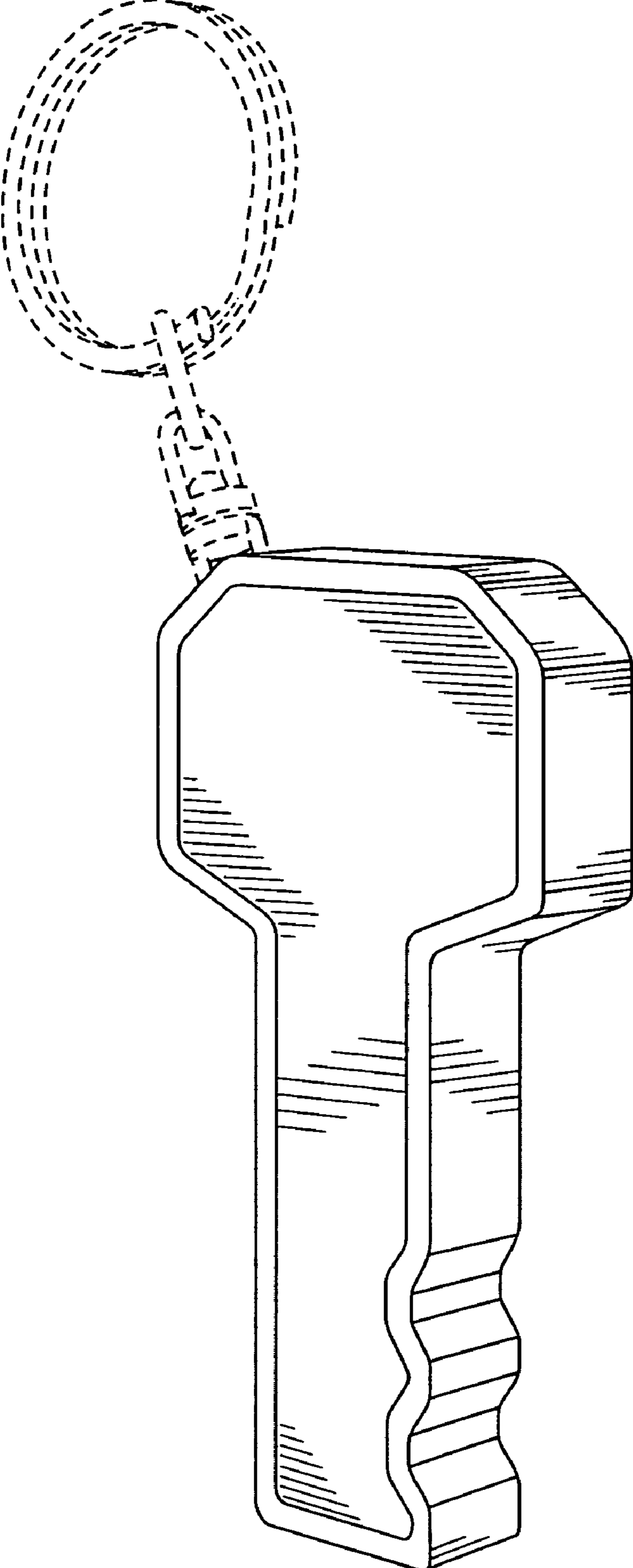


FIG. 1

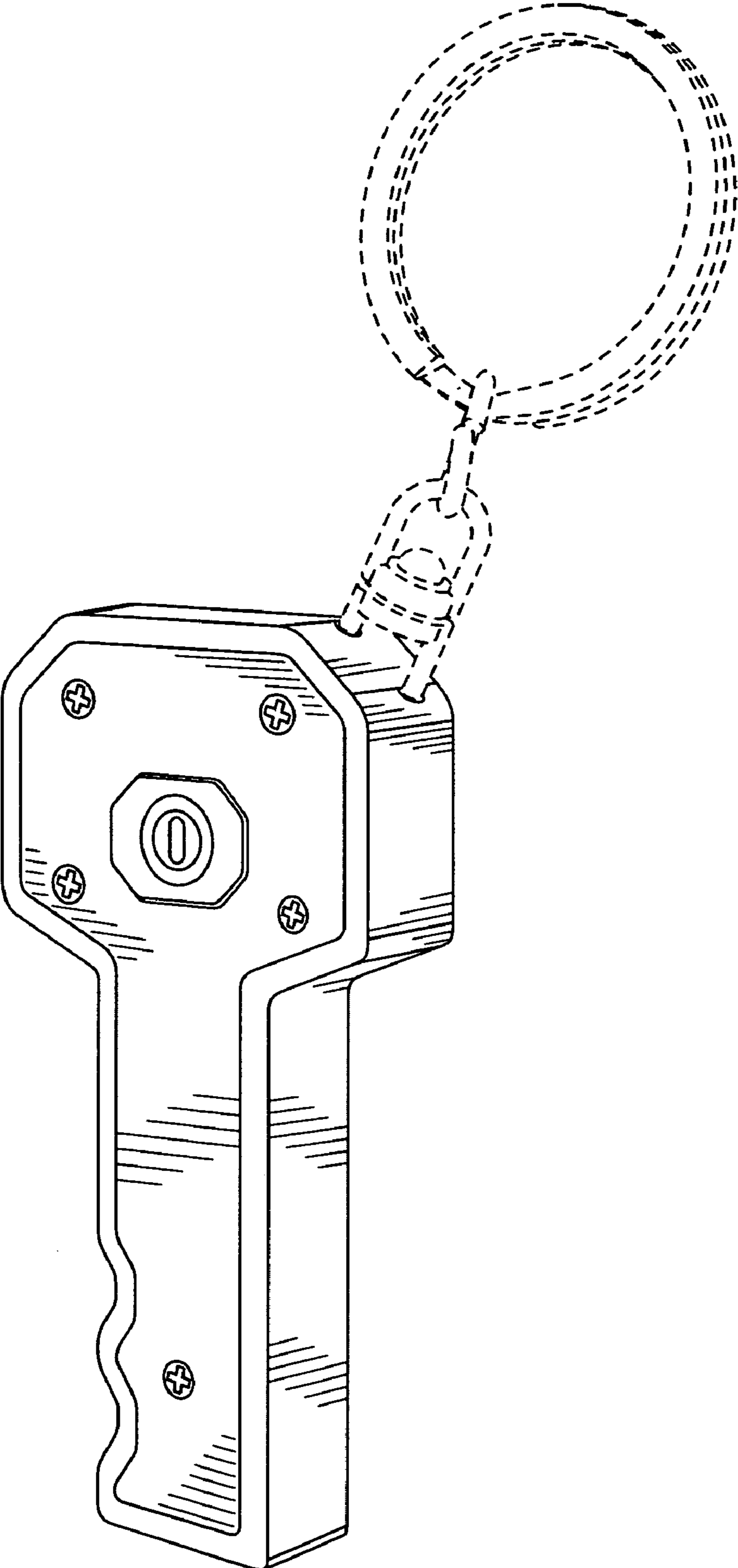


FIG. 2

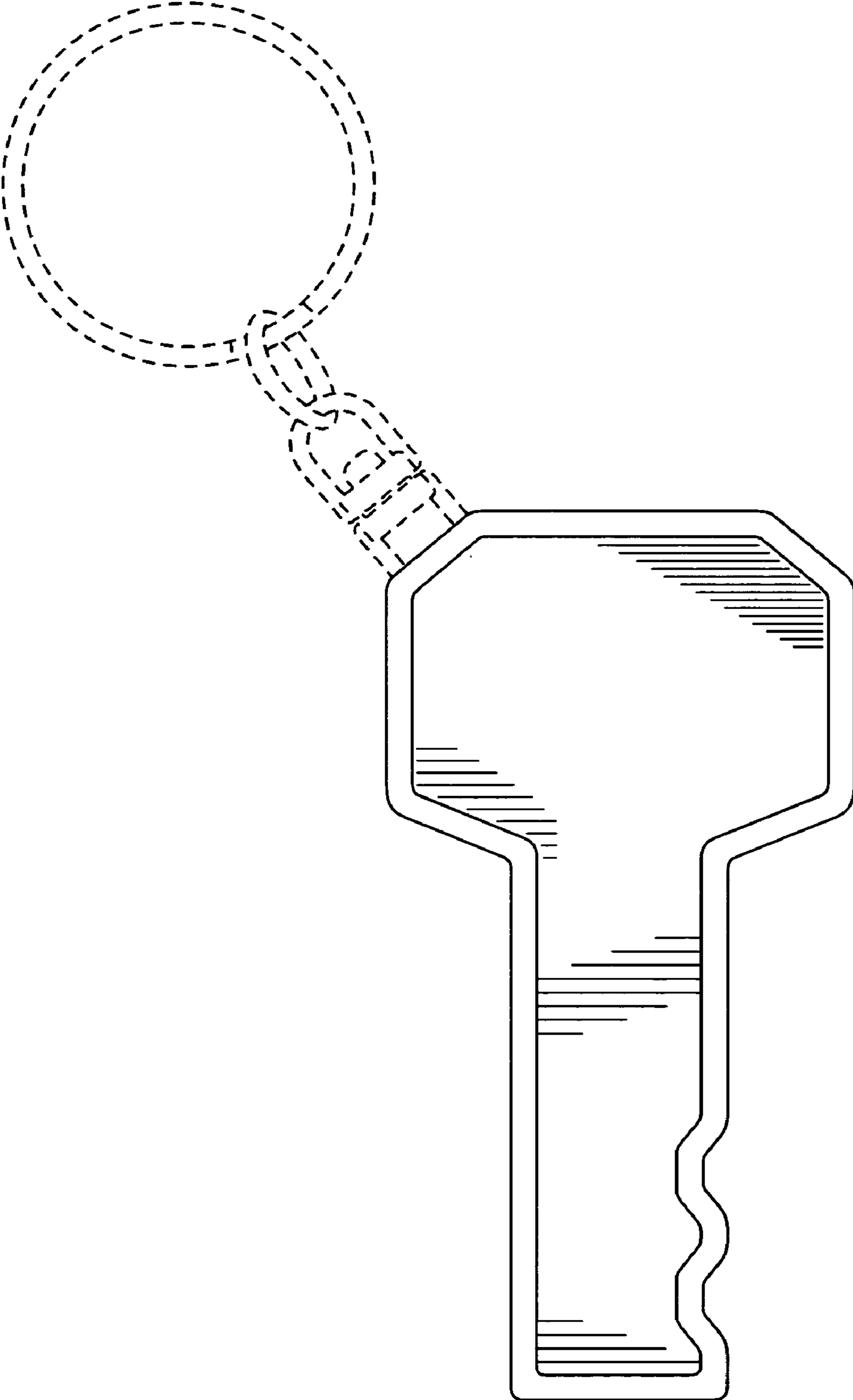


FIG. 3

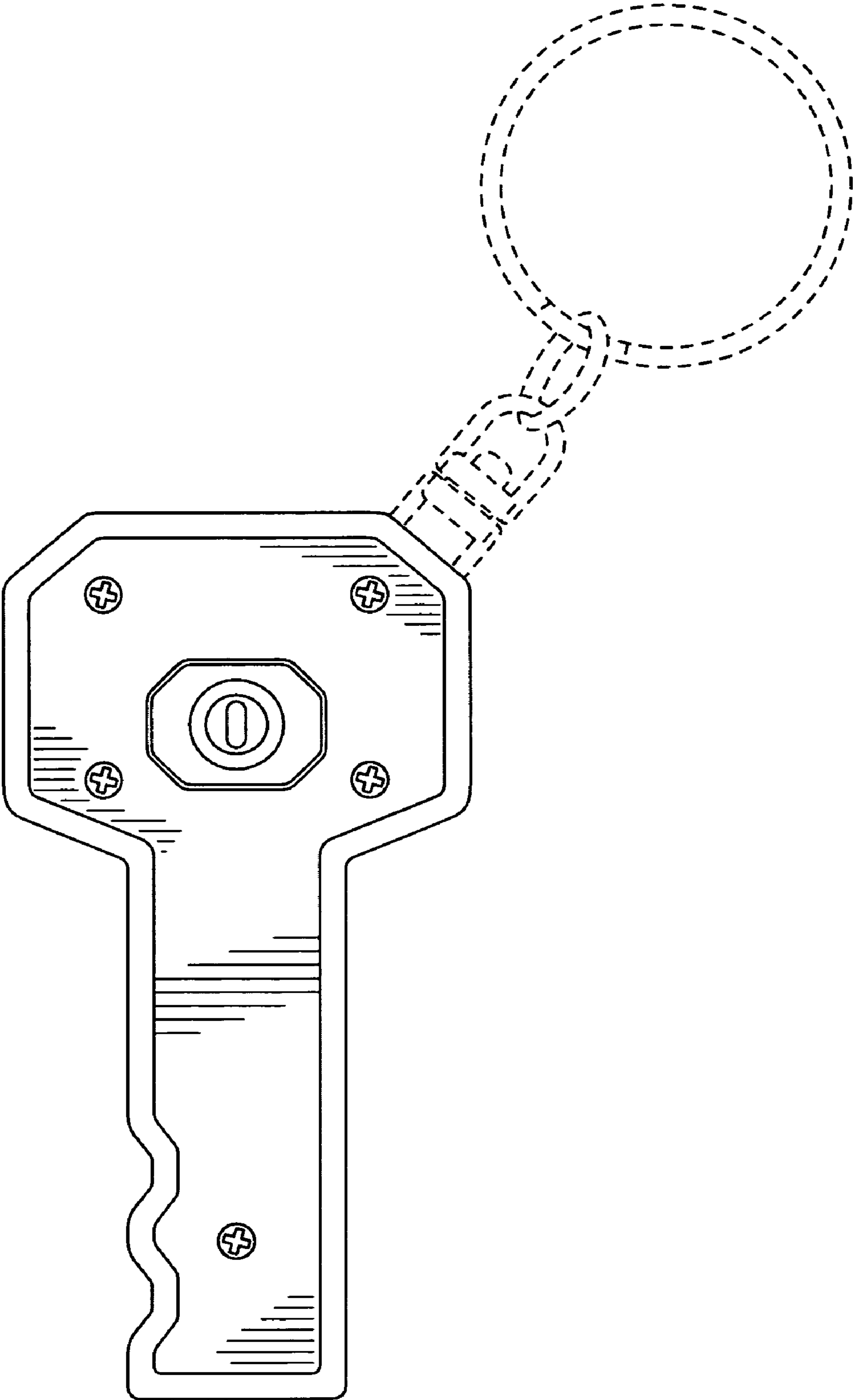


FIG. 4

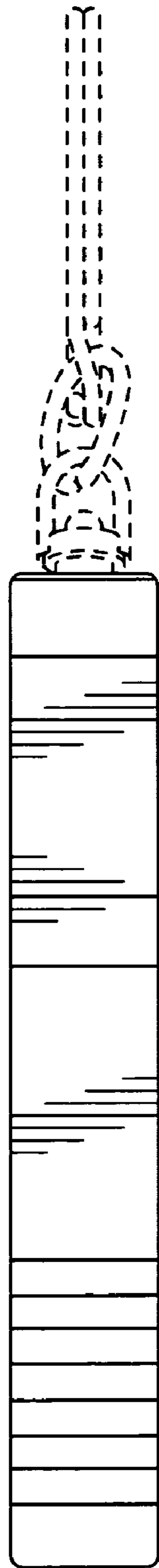


FIG. 5



FIG. 6

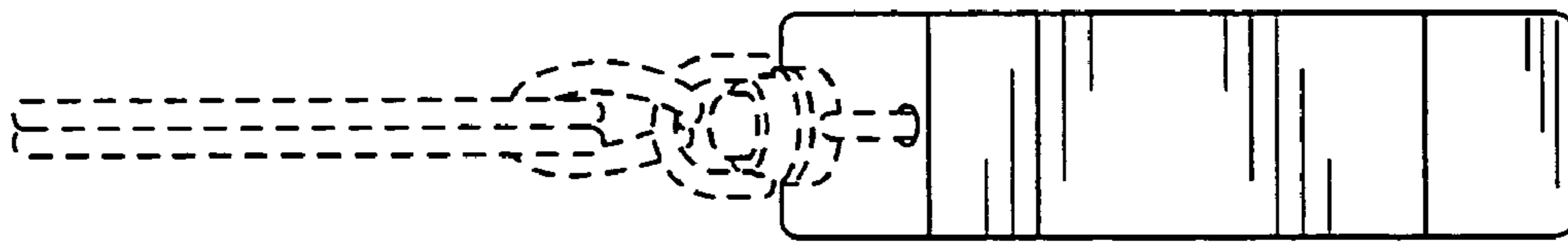


FIG. 7

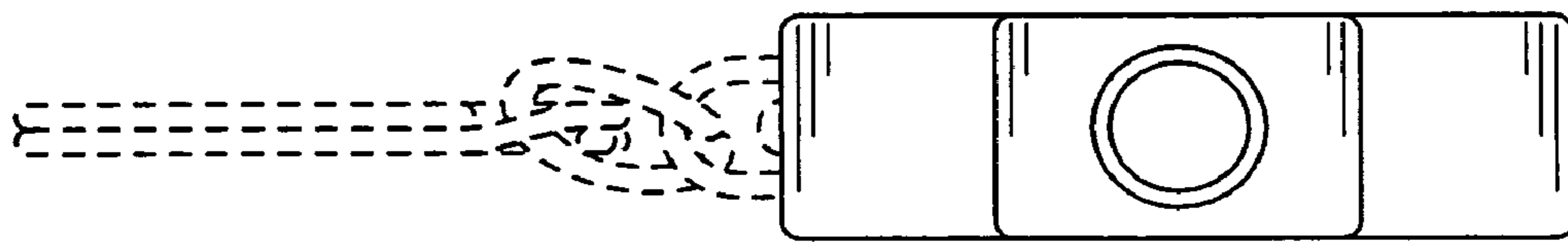


FIG. 8