



US00D661470S

(12) **United States Design Patent**
Baron et al.

(10) **Patent No.:** **US D661,470 S**
(45) **Date of Patent:** **** Jun. 12, 2012**

(54) **BRIM WITH LIGHT ATTACHMENT**

(76) Inventors: **Joanne Baron**, Westlake, OH (US);
Louis Orbana, Narragansett, RI (US)

(**) Term: **14 Years**

(21) Appl. No.: **29/381,134**

(22) Filed: **Dec. 15, 2010**

(51) **LOC (9) Cl.** **02-03**

(52) **U.S. Cl.** **D2/893; D2/866**

(58) **Field of Classification Search** D2/865,
D2/866, 875, 876, 877, 878, 879, 880, 881,
D2/882, 883, 884, 885, 886, 887, 888, 891,
D2/893; D26/37, 38; D29/102, 103, 104,
D29/105, 106, 107; 2/171, 175.1, 175.2,
2/175.3, 175.4, 175.5, 183, 184, 195.1, 195.2,
2/195.3, 195.4, 200.1, 209.11, 209.12, 209.13;
362/105, 106, 107, 157

See application file for complete search history.

(56) **References Cited**

U.S. PATENT DOCUMENTS

1,572,210	A *	2/1926	Kolibas	362/106
5,541,816	A *	7/1996	Miserendino	362/106
5,741,060	A *	4/1998	Johnson	362/106
D417,941	S *	12/1999	Bass	D2/869
D419,281	S *	1/2000	Croft	D2/891
D475,179	S *	6/2003	Chan	D2/893
D478,709	S *	8/2003	Lee	D2/882
6,659,618	B2 *	12/2003	Waters	362/106
6,863,416	B2 *	3/2005	Waters	362/105
6,969,178	B2 *	11/2005	Zuloff	362/106
D518,626	S *	4/2006	Peterson	D2/882
D521,332	S *	5/2006	Dighton et al.	D8/38
D521,713	S *	5/2006	Cho	D2/893
D522,822	S *	6/2006	Dighton et al.	D8/38
7,055,979	B2 *	6/2006	Lee	362/105
7,163,309	B2 *	1/2007	Sohn	362/106
7,377,664	B2 *	5/2008	Waters	362/103
D616,633	S *	6/2010	Lacy	D2/882

D627,140	S *	11/2010	Dyer	D2/866
2003/0231489	A1 *	12/2003	Hsiao	362/106
2008/0266839	A1 *	10/2008	Claypool et al.	362/106
2011/0242799	A1 *	10/2011	Dyer	362/105
2012/0014095	A2 *	1/2012	Waters	362/106

OTHER PUBLICATIONS

Jazd cap, [on-line]; downloaded from the Internet on Feb. 11, 2012, URL: <http://www.jazdcap.com>, (2 pages).*

US Trademark 77567543; [downloaded from Trademarks Database on Feb. 11, 2012]; specimen photographs of headwear visor; Current Identification: Caps and visors with LED light attached to brim; First Use in Commerce date: Mar. 1, 2009. (4 pages).*

* cited by examiner

Primary Examiner — Karen E Eldridge Powers

(57) **CLAIM**

The ornamental design for a brim with light attachment, as shown and described.

DESCRIPTION

FIG. 1 is an underside, perspective view of brim with light attachment with the light attachment shown in the closed position. The baseball-style cap shown in broken lines illustrates the environment in which the design is used and forms no part of the claim.

FIG. 2 is an underside, perspective view thereof, except with the light attachment shown in the open position.

FIG. 3 is a bottom plan view with the light attachment shown in the open position.

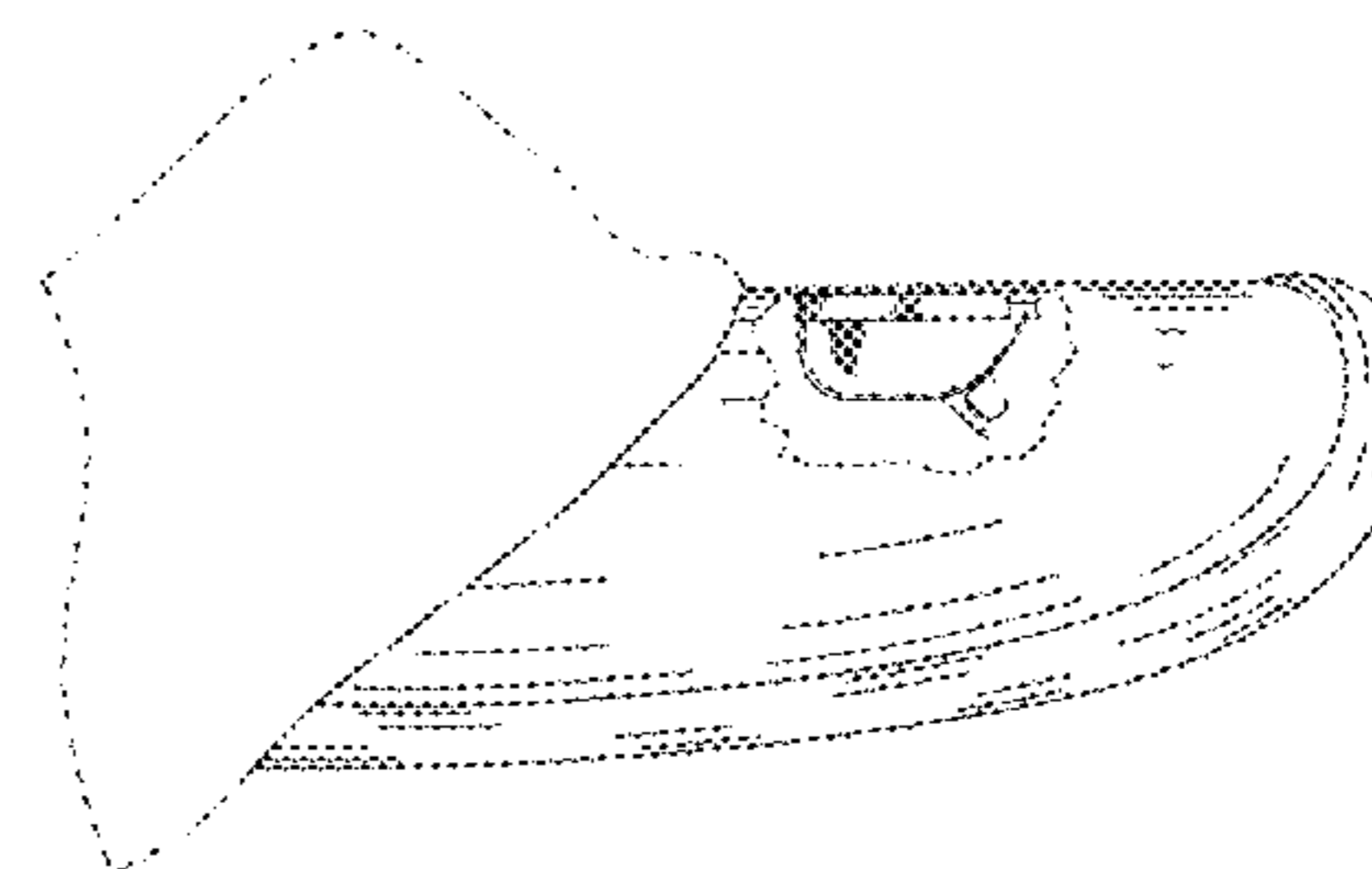
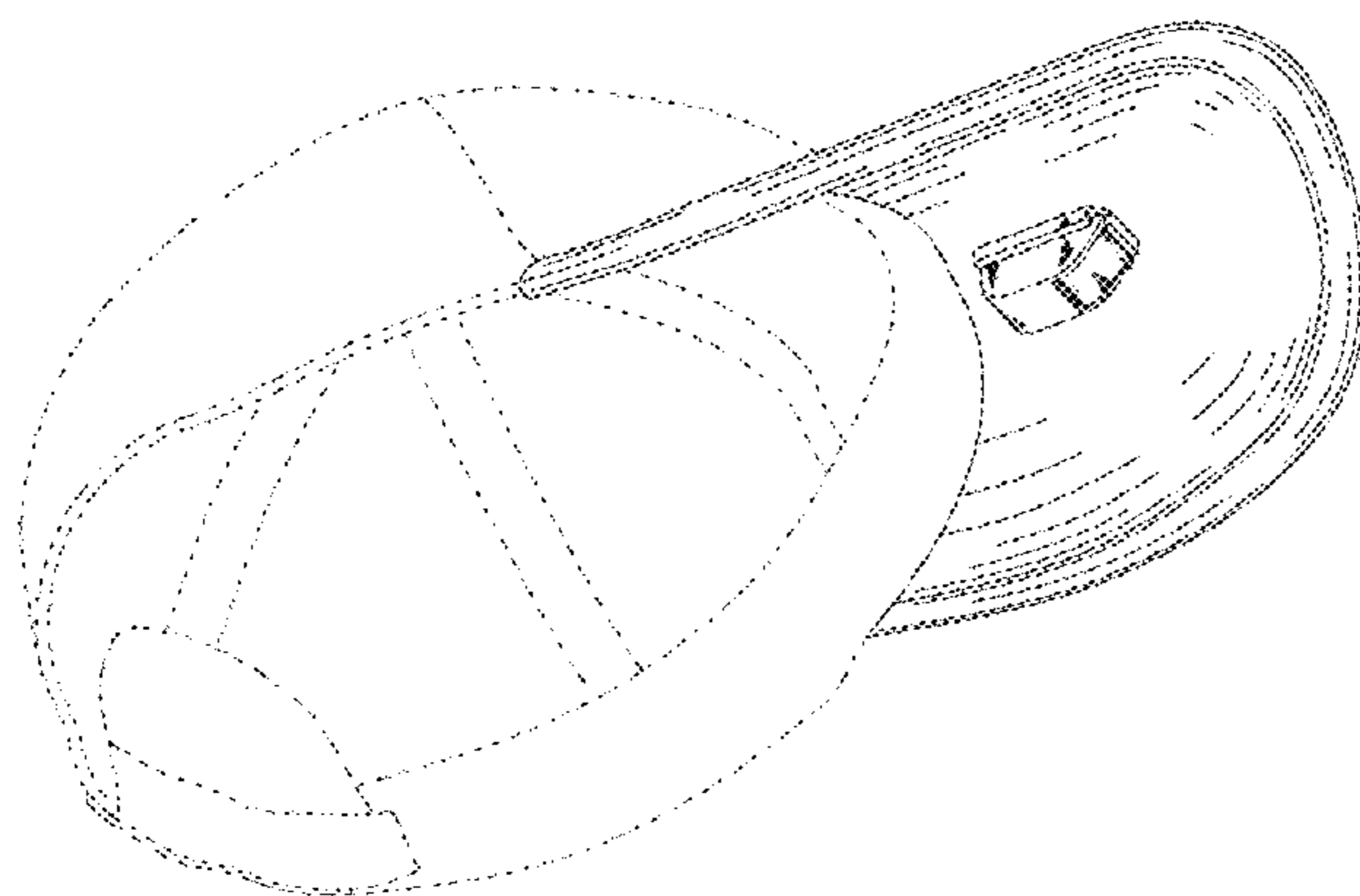
FIG. 4 is a right-side elevation view with a cross-section of the brim taken along line 4-4 in FIG. 3, showing the light attachment in the open position. The cutaway in the brim shown in broken lines is for clarity of illustration. None of the broken-line subject matter forms a part of the claim.

FIG. 5 is a left-side elevation view thereof, except with a cross-section of the brim taken along line 5-5 in FIG. 3.

FIG. 6 is a front elevation view of brim with light attachment; and,

FIG. 7 is a rear elevation view of brim with light attachment.

1 Claim, 5 Drawing Sheets



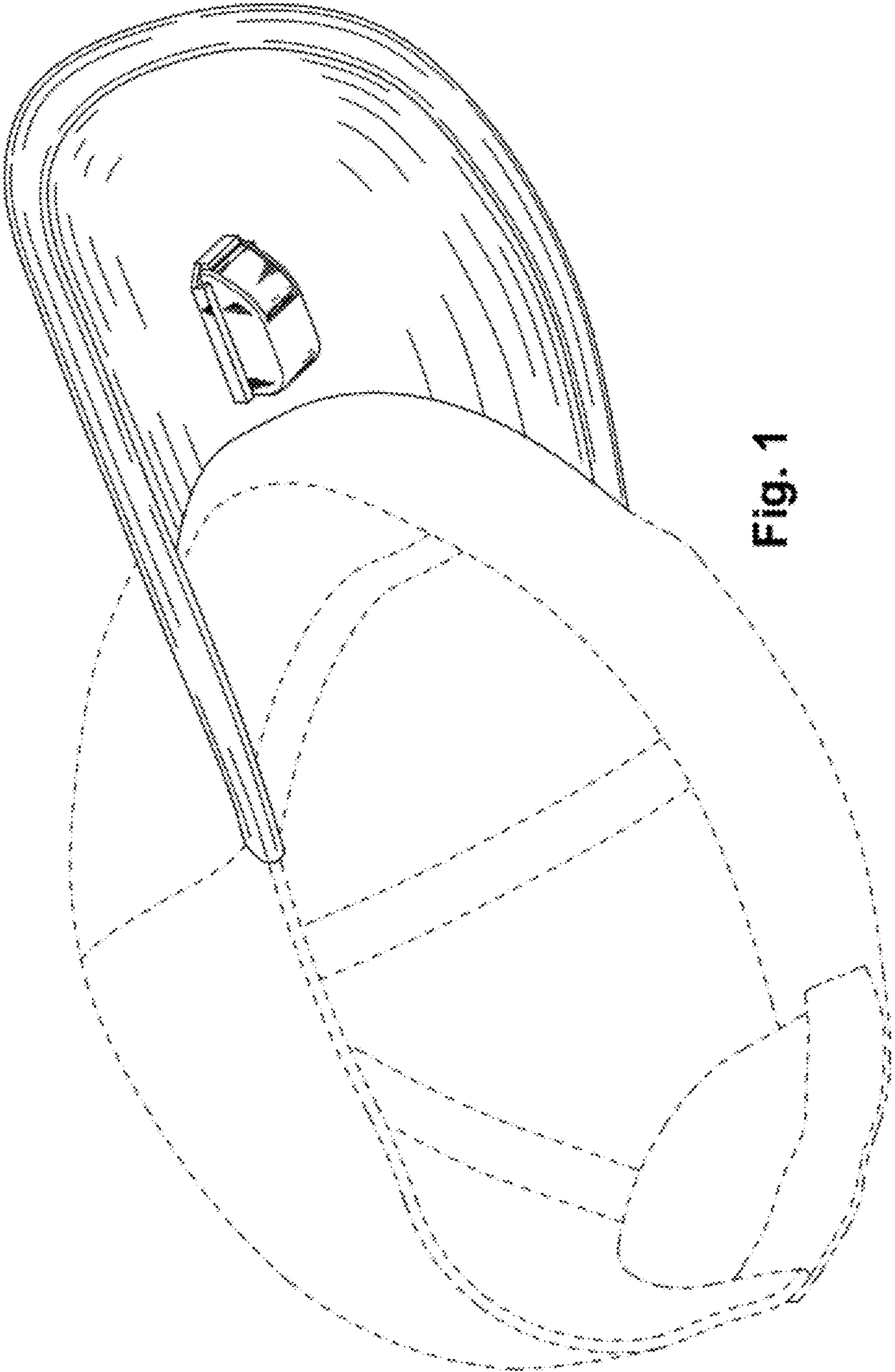


Fig. 1

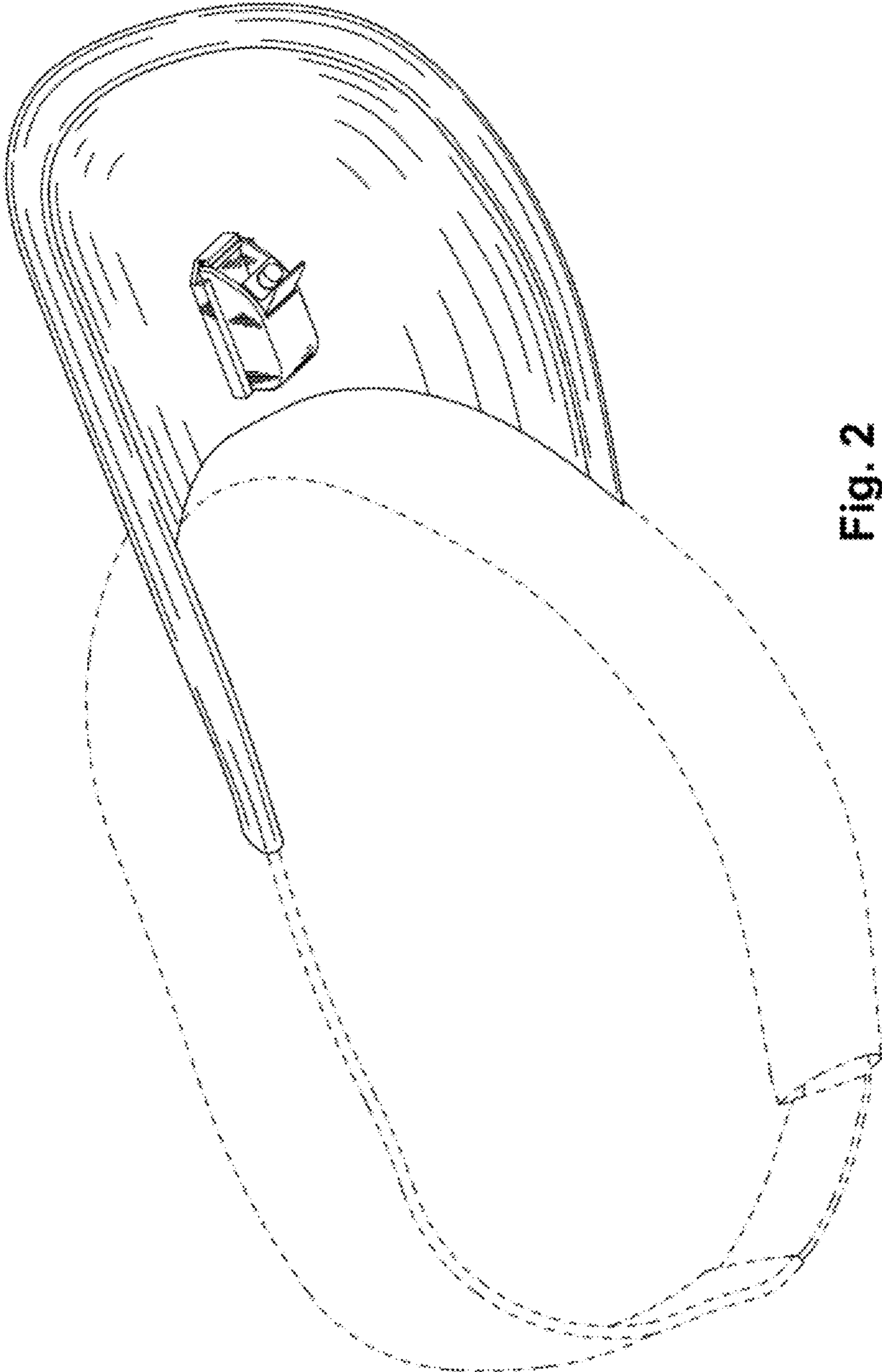


Fig. 2

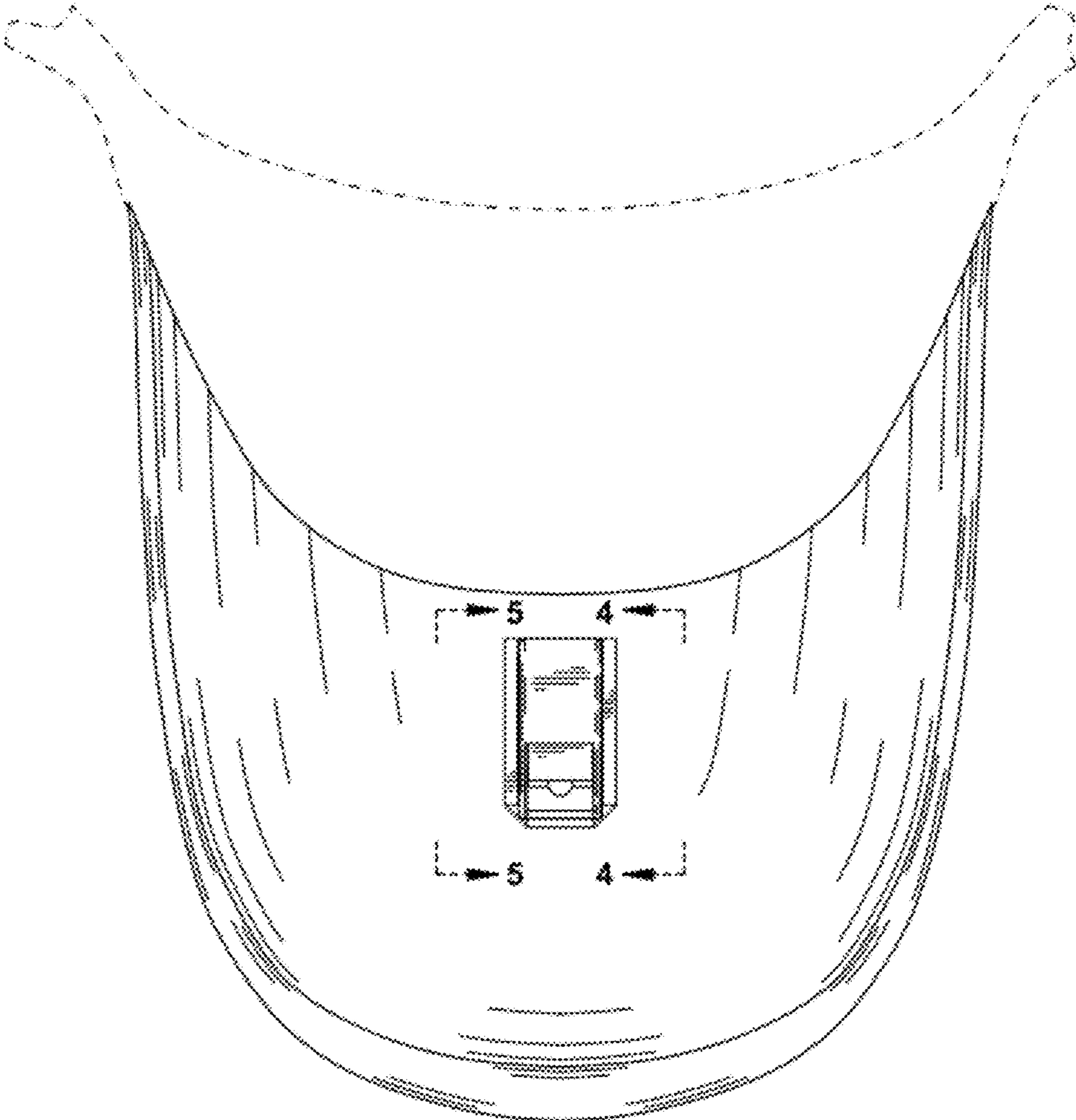


Fig. 3

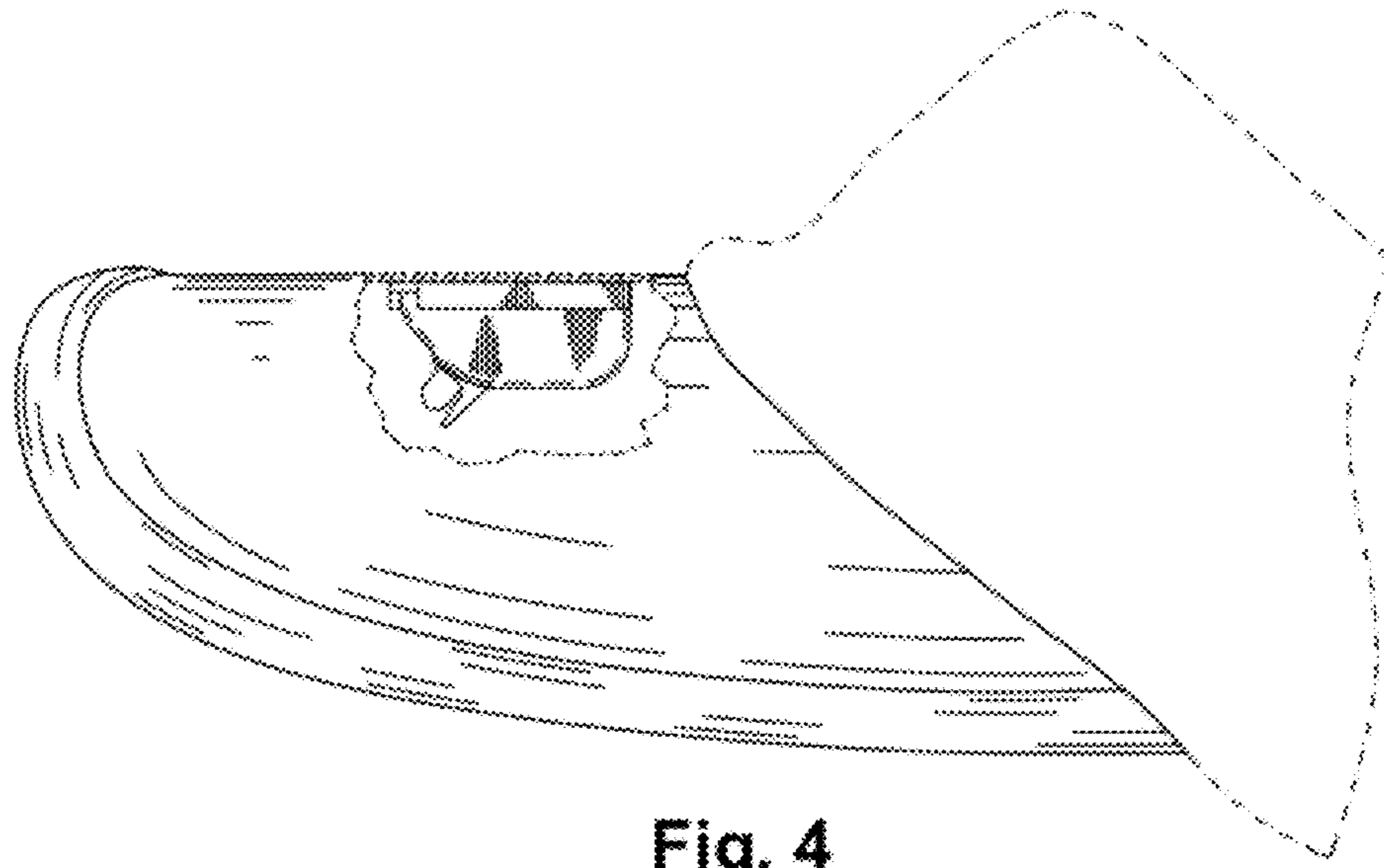


Fig. 4

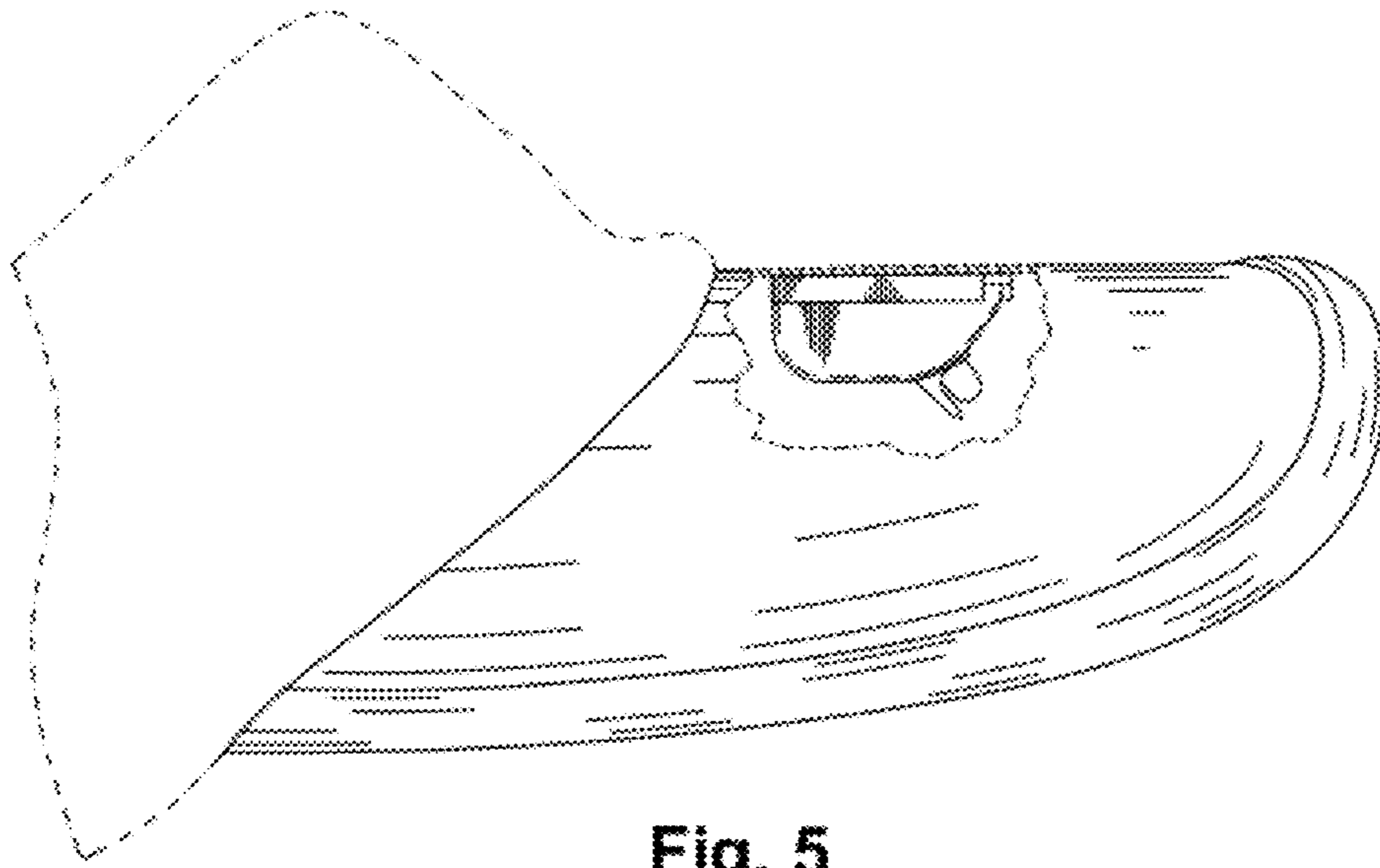


Fig. 5

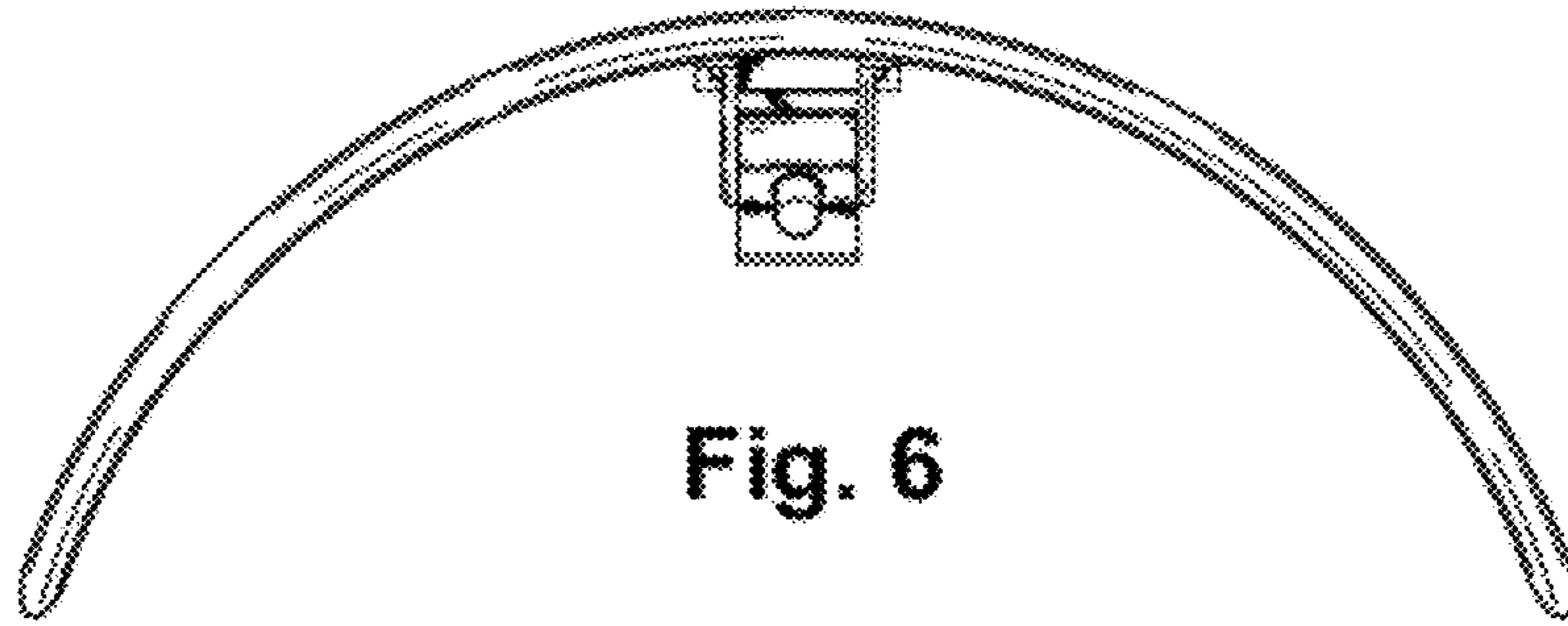


Fig. 6

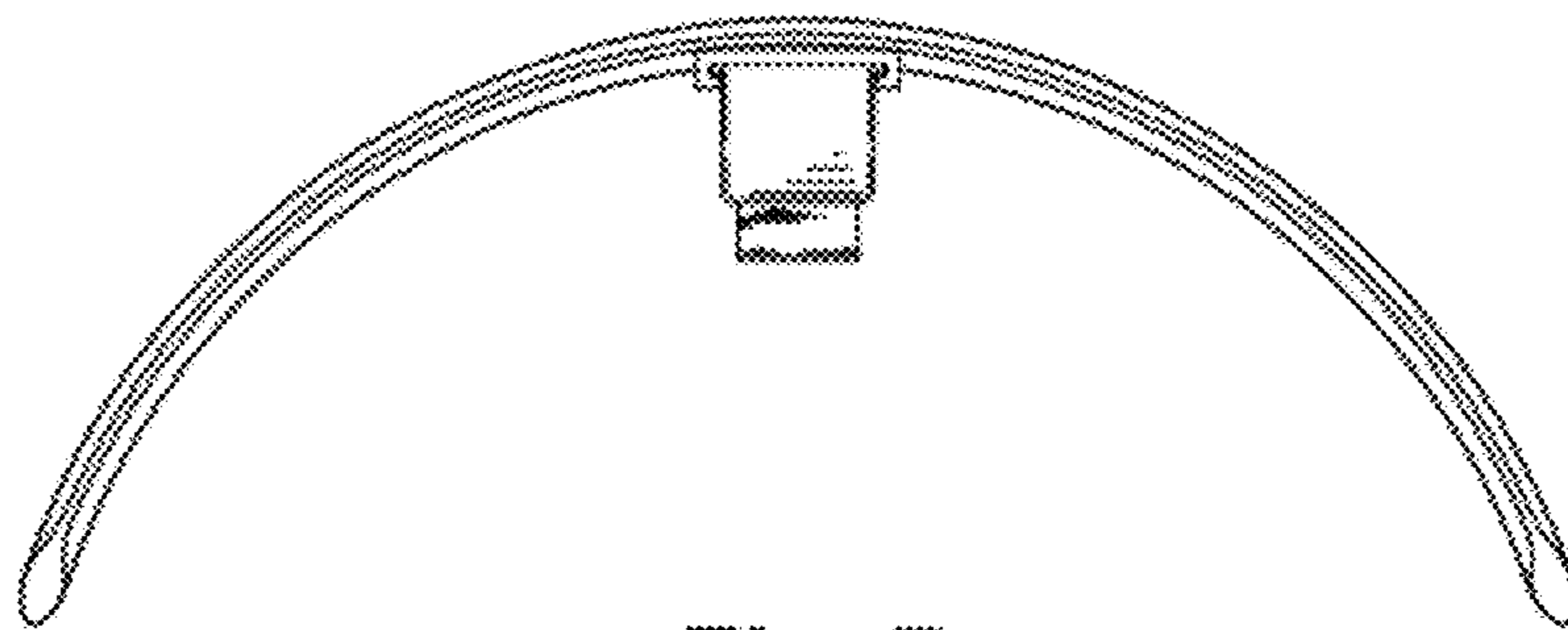


Fig. 7