



US00D661469S

(12) **United States Design Patent**
Wallen

(10) **Patent No.:** **US D661,469 S**
(45) **Date of Patent:** **** Jun. 12, 2012**

(54) **HEADWEAR VISOR WITH REPLACEABLE BAND**

(75) Inventor: **Teresa L. Wallen**, Lexington, KY (US)

(73) Assignee: **Abigale Lynn, LLC**, Lexington, KY (US)

(**) Term: **14 Years**

(21) Appl. No.: **29/373,193**

(22) Filed: **Mar. 14, 2011**

(51) **LOC (9) Cl.** **02-03**

(52) **U.S. Cl.** **D2/876**

(58) **Field of Classification Search** D2/865,
D2/866, 867, 875, 876, 877, 878, 879, 880,
D2/881, 882, 894, 886, 889, 891, 892, 893,
D2/895; 2/68, 171, 175.1, 175.2, 175.3,
2/181, 181.2, 181.4, 181.6, 181.8, 182.1,
2/182.2, 182.3, 182.4, 182.5, 182.6, 182.7,
2/183, 195.1, 195.2, 195.3, 195.4, 195.5,
2/195.6, 195.7, 195.8, 209.11, 209.12, 209.13,
2/209.3, 209.4, 209.7; 132/273, 275
See application file for complete search history.

(56) **References Cited**

U.S. PATENT DOCUMENTS

1,598,313 A * 8/1926 Rosenberg 2/171.1
(Continued)

Primary Examiner — Karen E Eldridge Powers

(74) *Attorney, Agent, or Firm* — Bingham Greenebaum Doll LLP; James C. Eaves, Jr.; Brian W. Chellgren

(57) **CLAIM**

The ornamental design for a headwear visor with replaceable band, as shown and described.

DESCRIPTION

FIG. 1 is a front elevation view of a headwear visor with replaceable band of the present design;

FIG. 2 is a right side elevation view of the headwear visor with replaceable band of the present design, the left side being a mirror image thereof;

FIG. 3 is a top plan view of the headwear visor with replaceable band of the present design;

FIG. 4 is a bottom perspective view of the headwear visor with replaceable band of the present design;

FIG. 5 is an enlarged rear perspective view of the headwear visor with a replaceable band of the present design;

FIG. 6 is a front elevation view of the headwear visor of the present design, with the replaceable band removed for clarity of illustration;

FIG. 7 is a right side elevation view of the headwear visor of the present design, the left side being a mirror image thereof, with the replaceable band removed for clarity of illustration;

FIG. 8 is a top perspective view of the headwear visor of the present design, with the replaceable band removed for clarity of illustration;

FIG. 9 is a front elevation view of the replaceable band of the present design;

FIG. 10 is a rear elevation view of the replaceable band of the present design;

FIG. 11 is an enlarged rear perspective view of the headwear visor with replaceable band of the present design;

FIG. 12 is a top perspective view of the headwear visor with replaceable band of the present design, with the replaceable band removed for clarity of illustration;

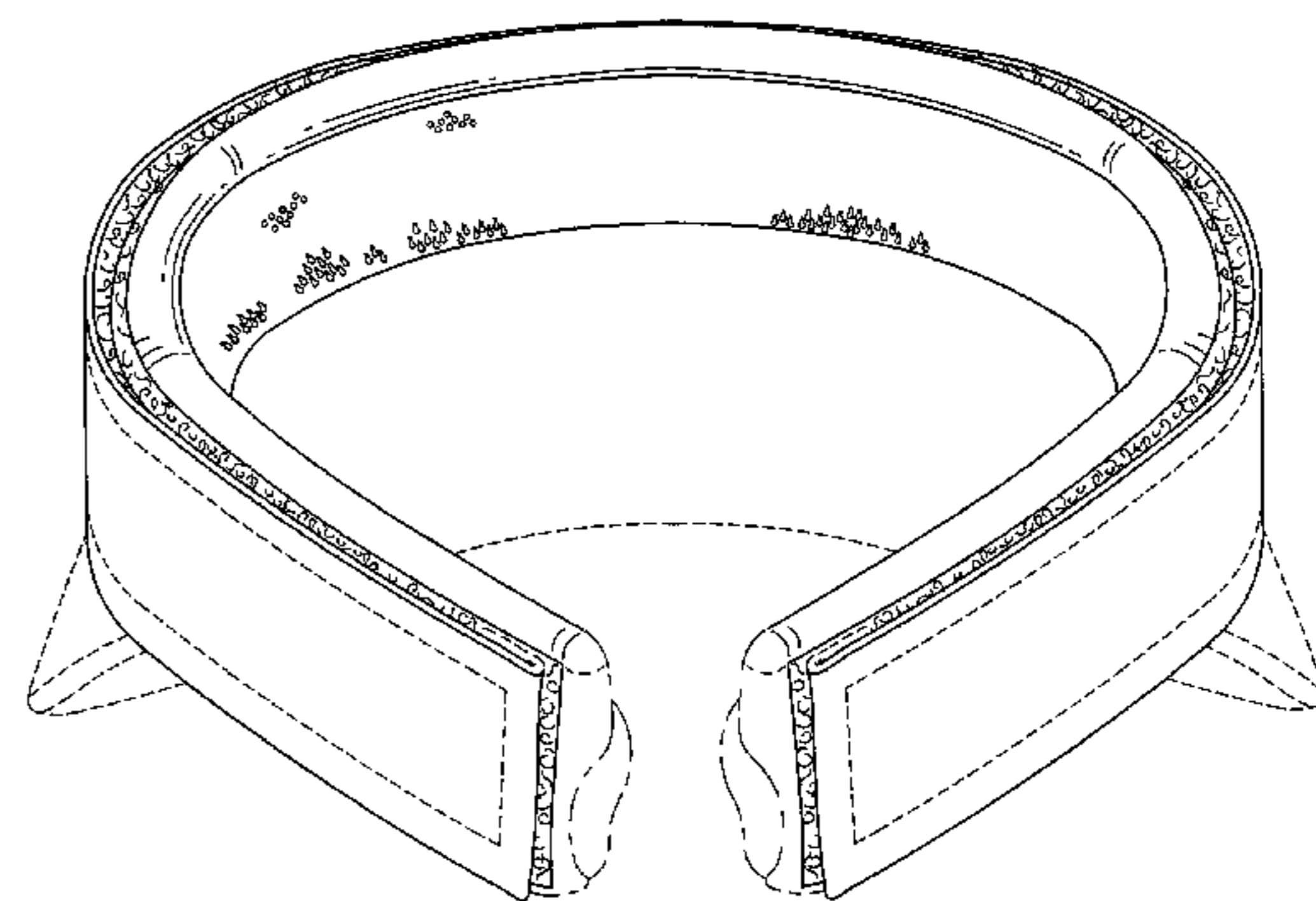
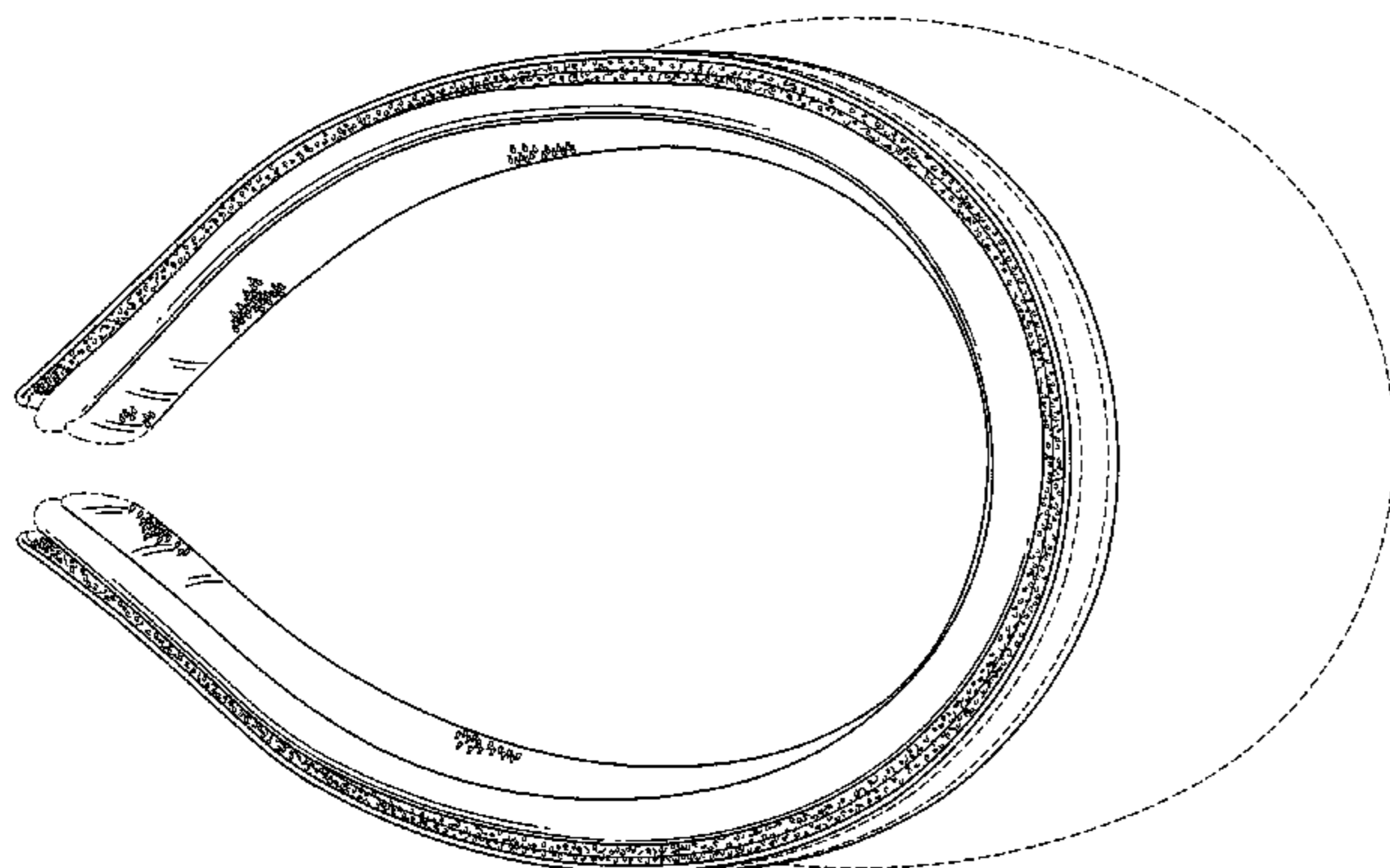
FIG. 13 is a top perspective view of the headwear visor with replaceable band of the present design;

FIG. 14 is a front elevation view of the replaceable band of the present design; and,

FIG. 15 is a rear elevation view of the replaceable band of the present design.

The features shown in uniform broken lines form no part of the claimed design. This includes the uniform broken line patterns shown in FIGS. 9 and 14, and the uniform broken lines across the replaceable band shown in FIGS. 1-3, 5, 9-11, and 13-15. The non-uniform broken lines represent the boundaries of the design.

1 Claim, 13 Drawing Sheets



US D661,469 S

Page 2

U.S. PATENT DOCUMENTS

1,771,544	A *	7/1930	McKisson	2/171.8				
D366,558	S *	1/1996	Galper et al.	D2/872				
D376,681	S *	12/1996	Riesenman et al.	D2/879				
5,826,597	A *	10/1998	Chou	132/273				
D415,605	S *	10/1999	Ae	D2/876				
6,108,818	A *	8/2000	Eisenberg	2/181.2				
6,738,985	B2 *	5/2004	Hahn et al.	2/181				
D519,716	S *	5/2006	Smith	D2/875				
D529,262	S *	10/2006	Yan	D2/876				
7,137,146	B2 *	11/2006	Yan	2/12				
D609,883	S *	2/2010	Cunliffe	D2/876				
2008/0229470	A1 *	9/2008	Kim	2/12				
2010/0285283	A1 *	11/2010	Kingsbury	428/195.1				

* cited by examiner

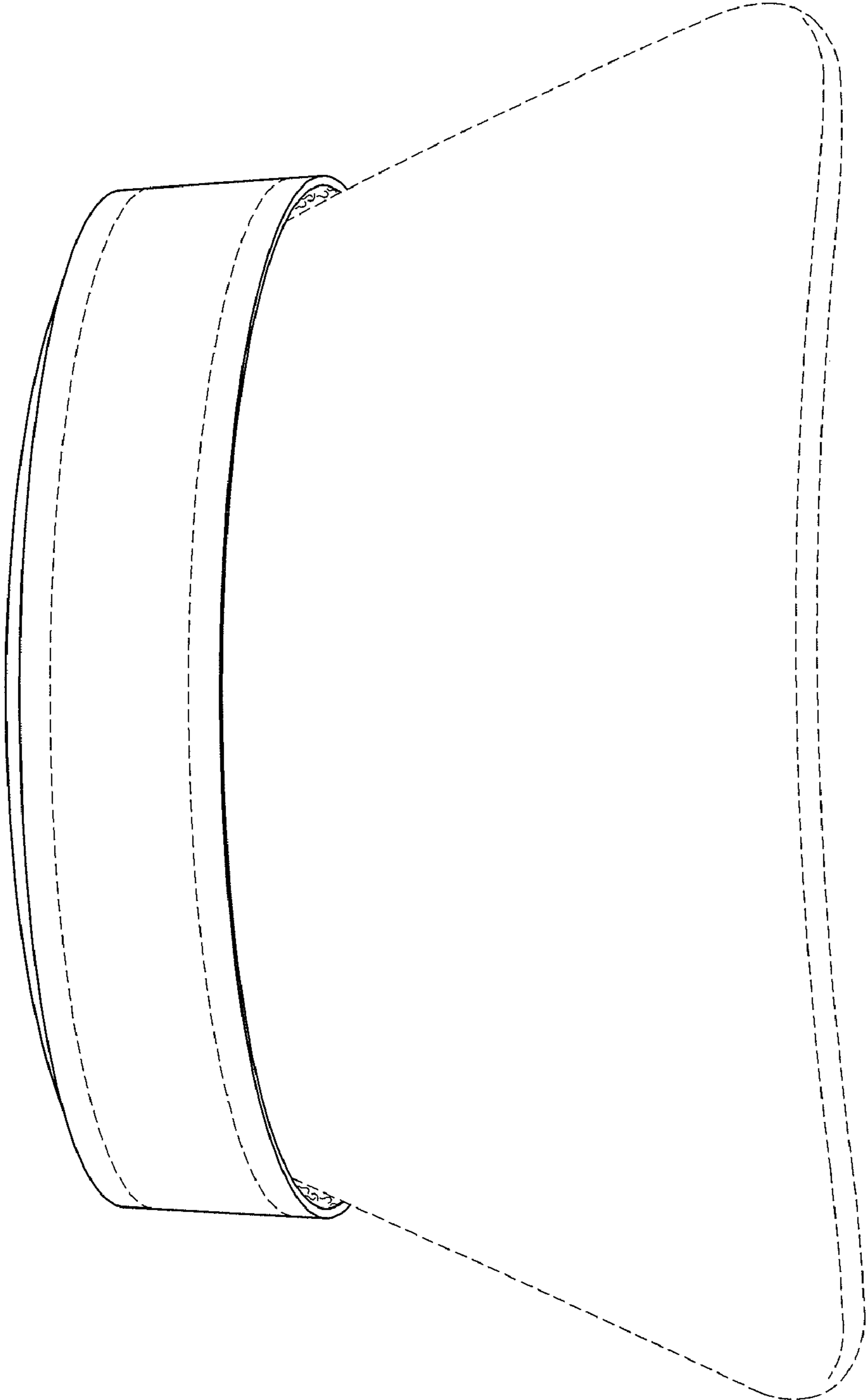


FIG. 1

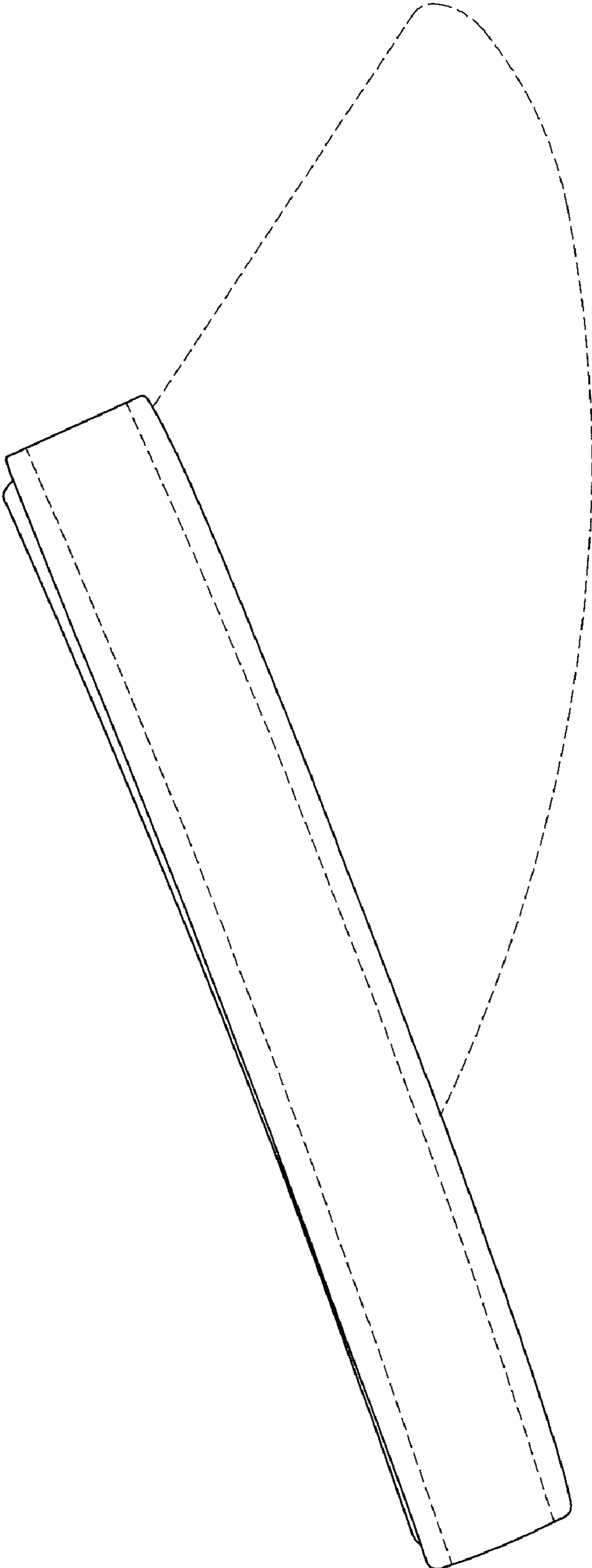


FIG. 2

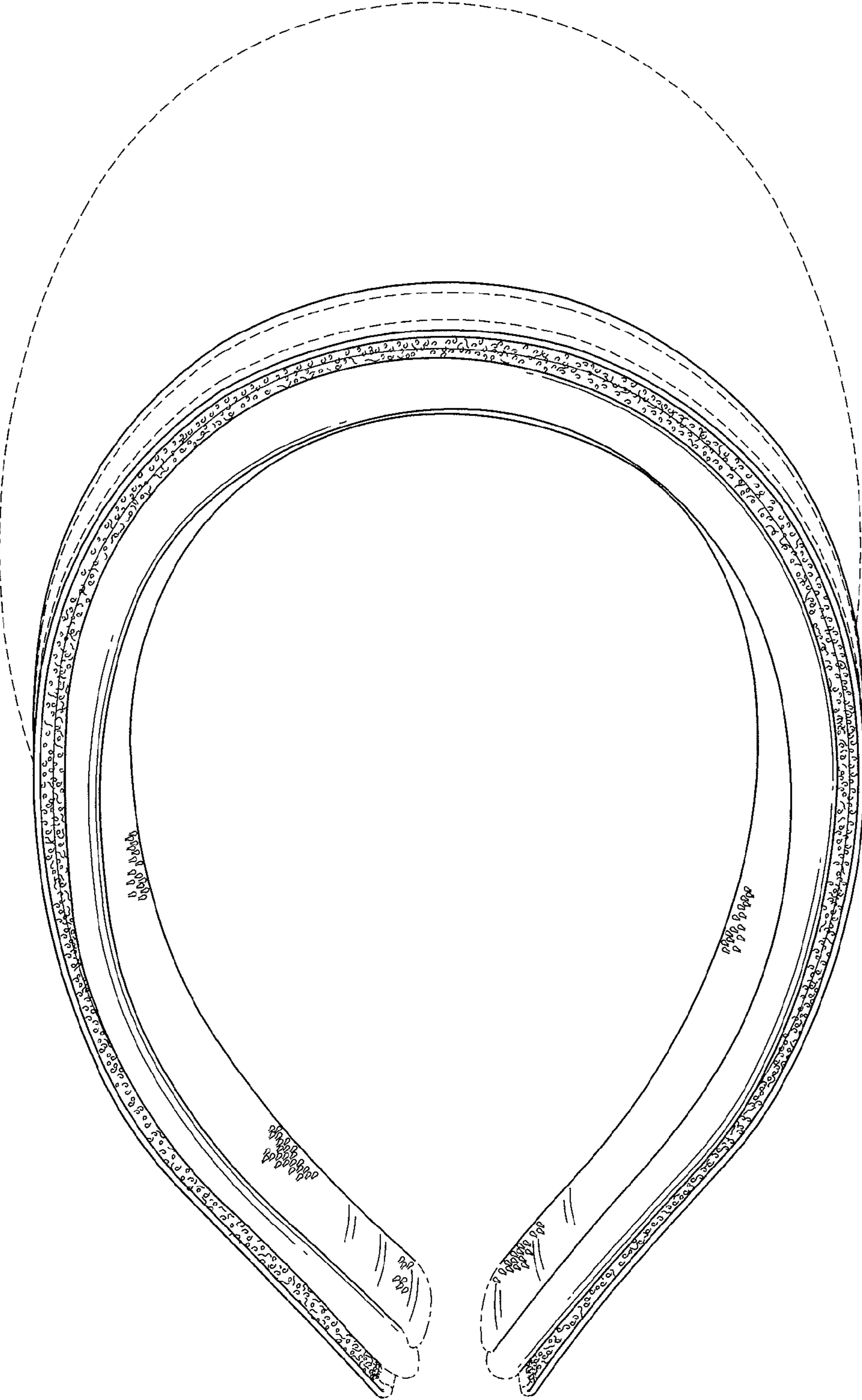


FIG. 3

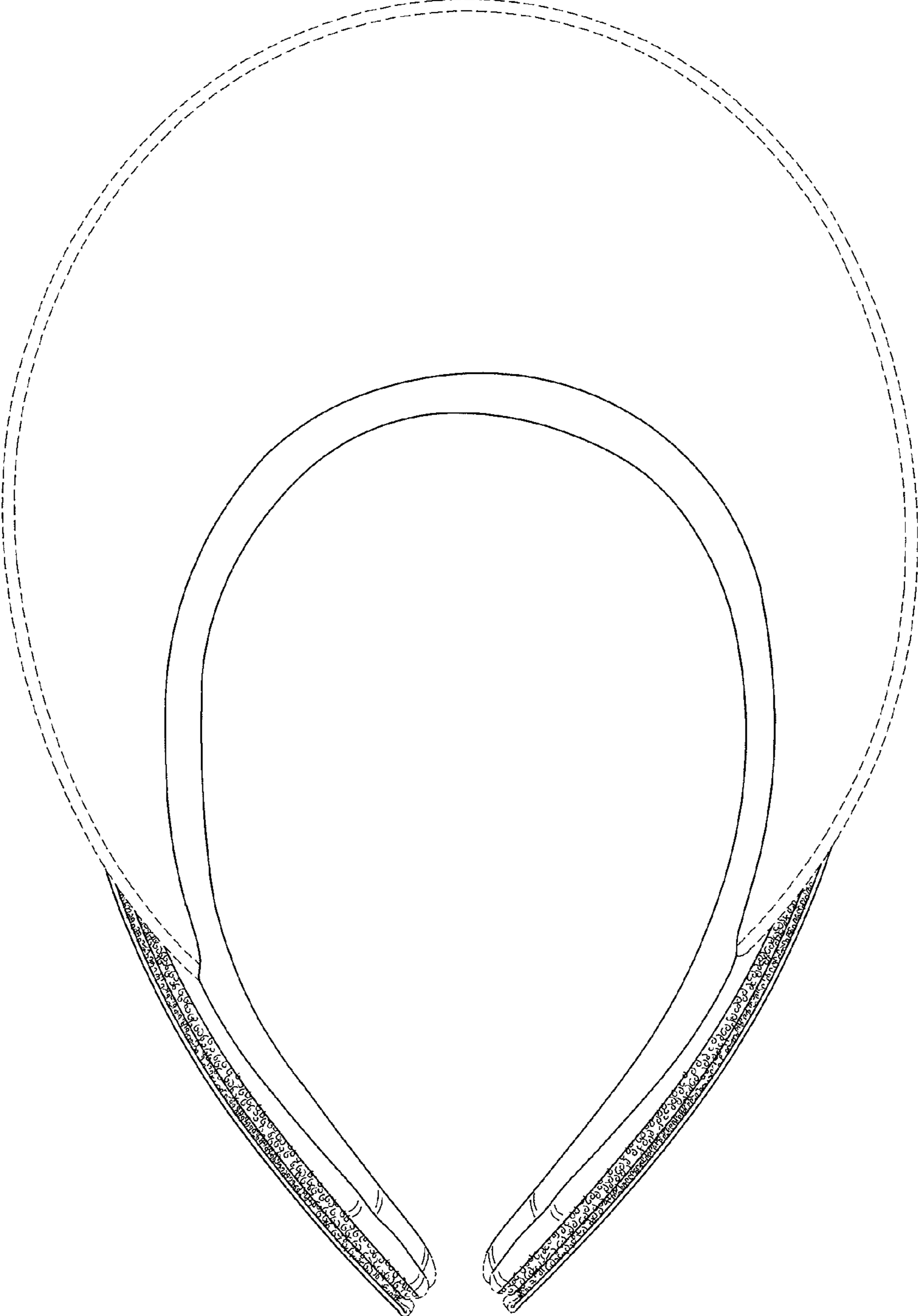


FIG. 4

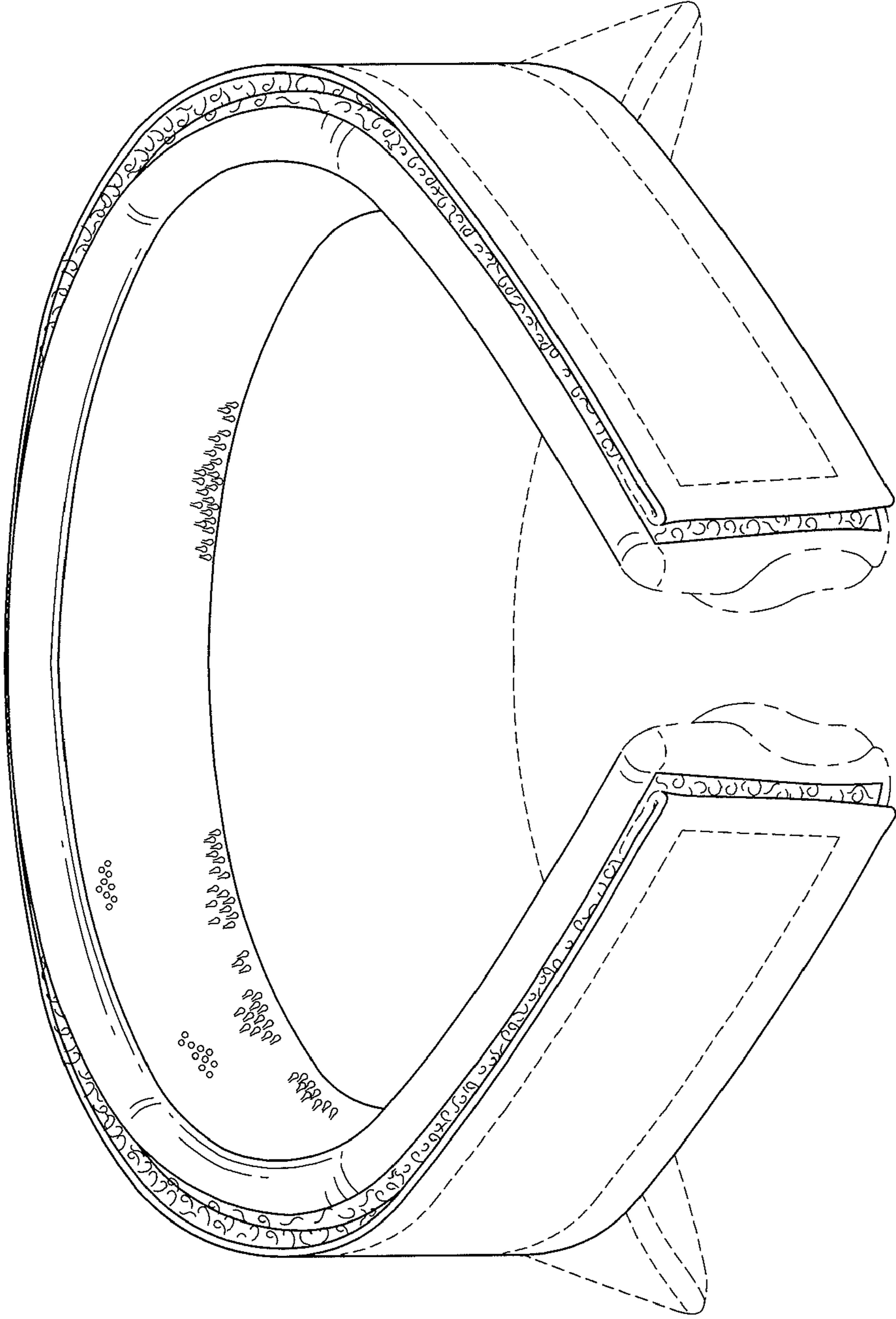


FIG. 5

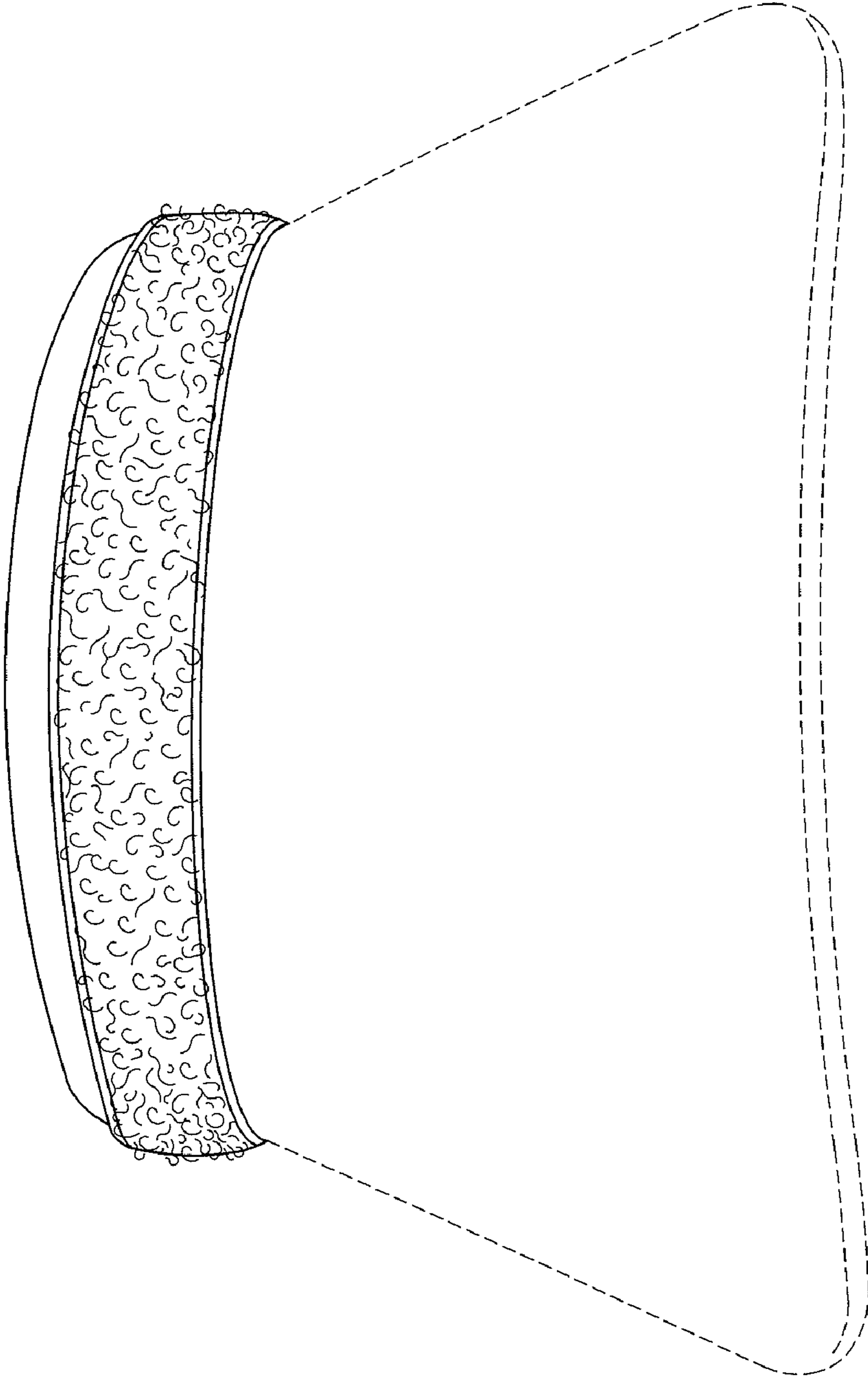


FIG. 6

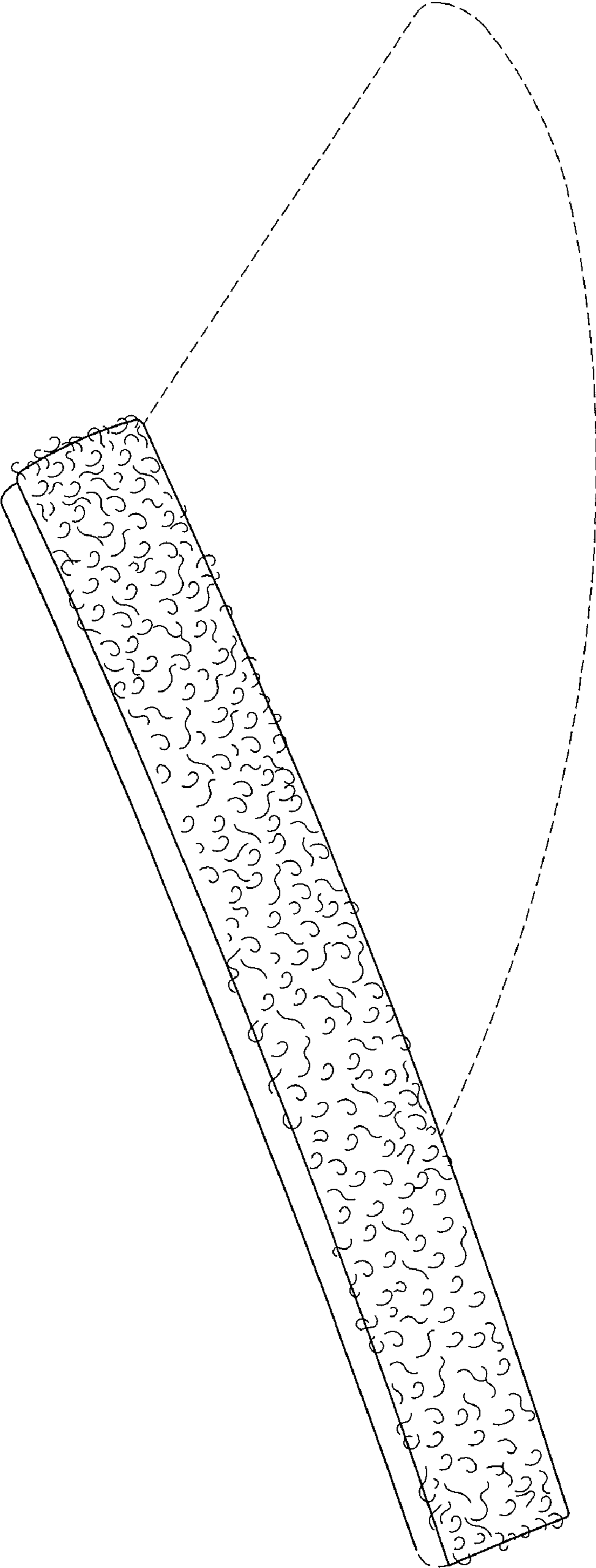


FIG. 7

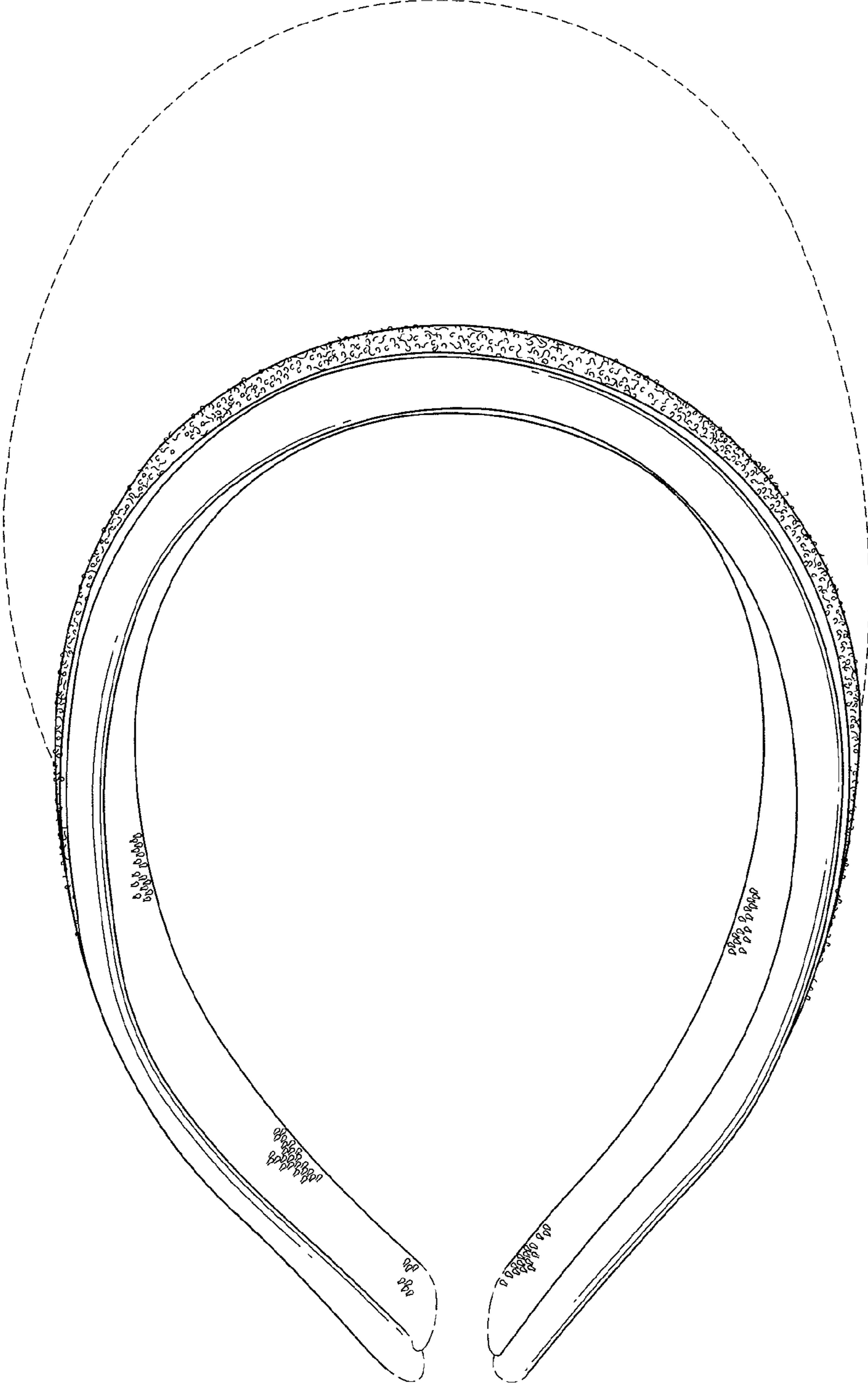


FIG. 8

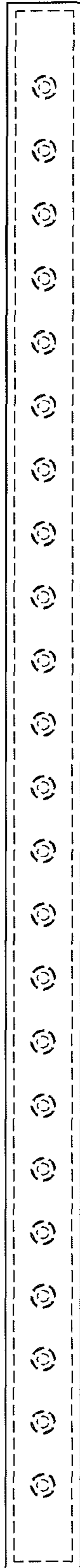


FIG. 9



FIG. 10

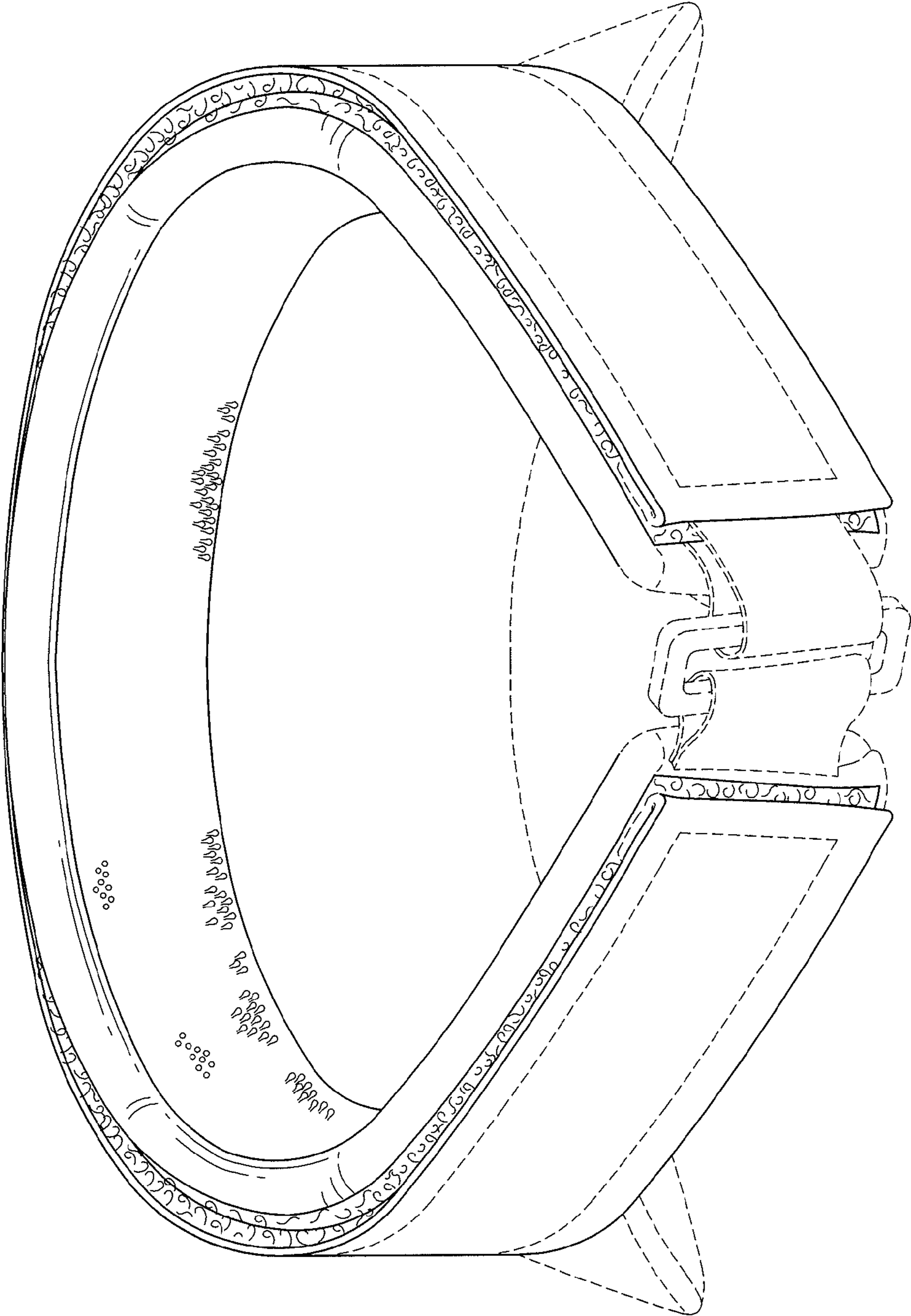


FIG. 11

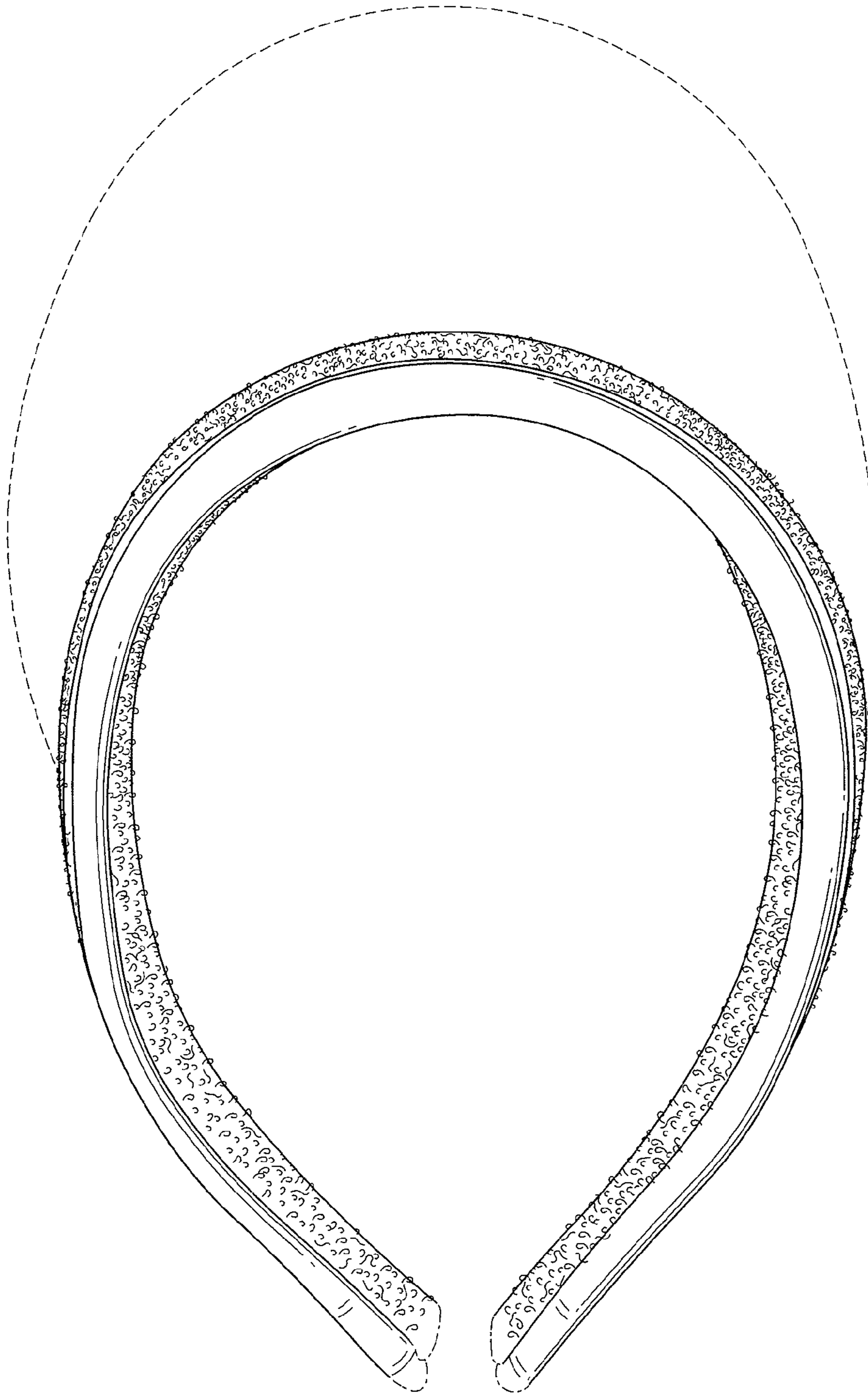


FIG. 12

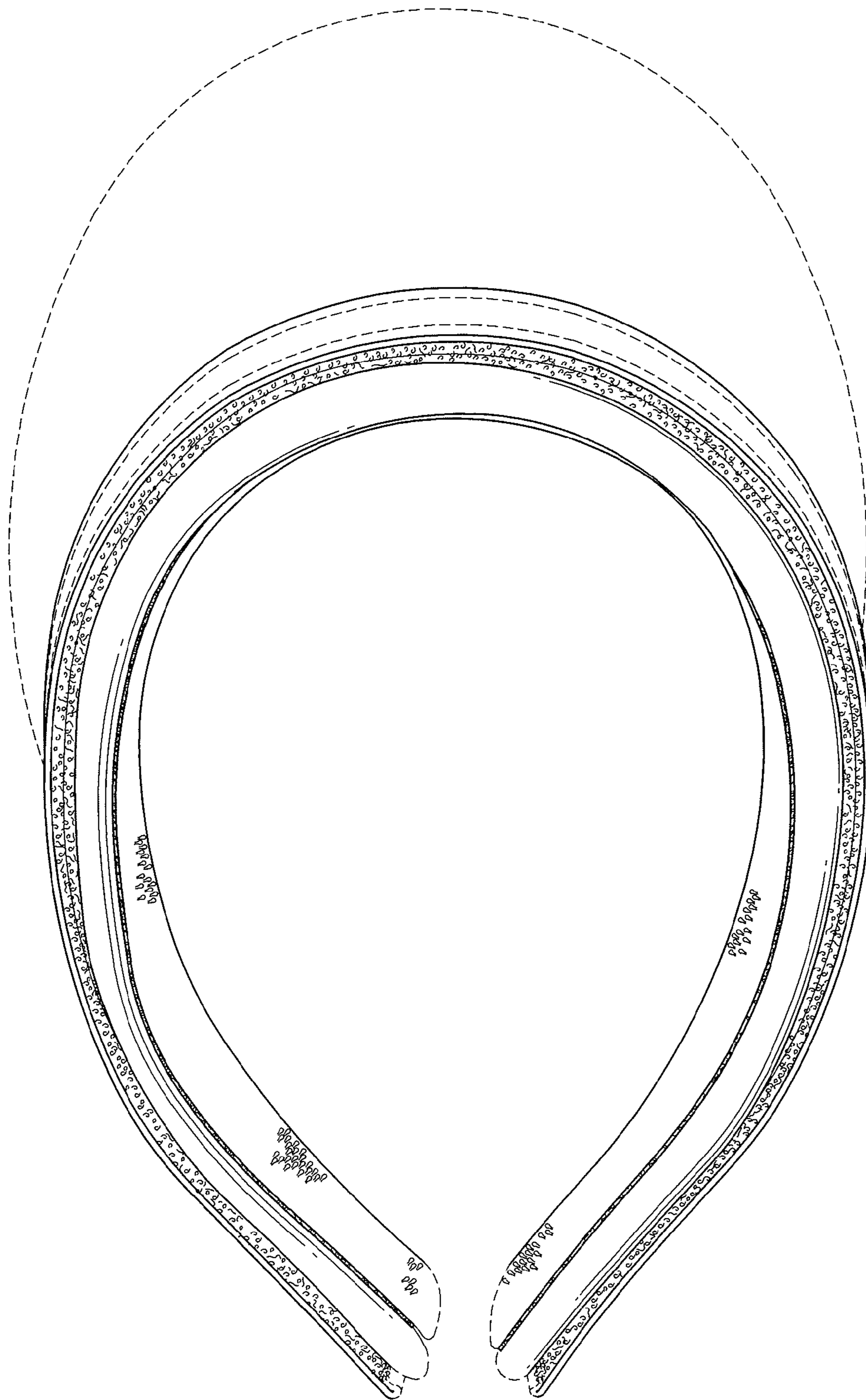


FIG. 13

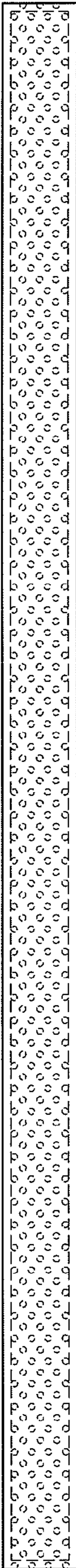


FIG. 14



FIG. 15