



US00D661467S

(12) **United States Design Patent**
Whitefield

(10) **Patent No.:** **US D661,467 S**

(45) **Date of Patent:** **** Jun. 12, 2012**

(54) **ZIPPERED JERSEY**

(76) Inventor: **Thomas M. Whitefield**, Nashville, TN
(US)

(**) Term: **14 Years**

(21) Appl. No.: **29/405,599**

(22) Filed: **Nov. 3, 2011**

(51) **LOC (9) Cl.** **02-02**

(52) **U.S. Cl.** **D2/840**

(58) **Field of Classification Search** D2/728,
D2/717, 749-751, 828, 840, 841, 844, 847;
2/90, 104-106, 108, 113-115
See application file for complete search history.

(56) **References Cited**

U.S. PATENT DOCUMENTS

1,551,059	A *	8/1925	Schnellbacher	2/90
1,901,537	A *	3/1933	Sheindelman	2/90
2,393,258	A *	1/1946	Northrup	2/111
D159,156	S *	6/1950	Kelly	D2/700
D271,154	S	11/1983	Dowling	
D341,471	S	11/1993	Cross	
D353,255	S	12/1994	Rodriguez	
5,383,235	A	1/1995	Peters	
D357,111	S	4/1995	Carter	
D421,329	S *	3/2000	Adams	D2/841
D458,733	S *	6/2002	Flippo et al.	D2/828
D510,795	S	10/2005	Yuter et al.	
D526,763	S *	8/2006	Tanner et al.	D2/717
D527,868	S	9/2006	Wager	
D548,400	S *	8/2007	Boord	D29/101.1
D553,674	S *	10/2007	Davanis	D19/6
D568,028	S	5/2008	Quinn	
D580,632	S	11/2008	Adams et al.	
D580,633	S	11/2008	Cross	

D586,086	S	2/2009	Van Rooy et al.	
D594,632	S *	6/2009	Long	D2/720
D601,780	S	10/2009	Young	
D618,442	S *	6/2010	Hall et al.	D2/840
D628,770	S	12/2010	Kanada et al.	
D635,332	S *	4/2011	DeRobertis	D2/831
D643,595	S *	8/2011	Baun et al.	D2/717
2004/0163155	A1	8/2004	Haughey	

* cited by examiner

Primary Examiner — Rashida Johnson

(74) *Attorney, Agent, or Firm* — QuickPatents, Inc.; Kevin Prince

(57) **CLAIM**

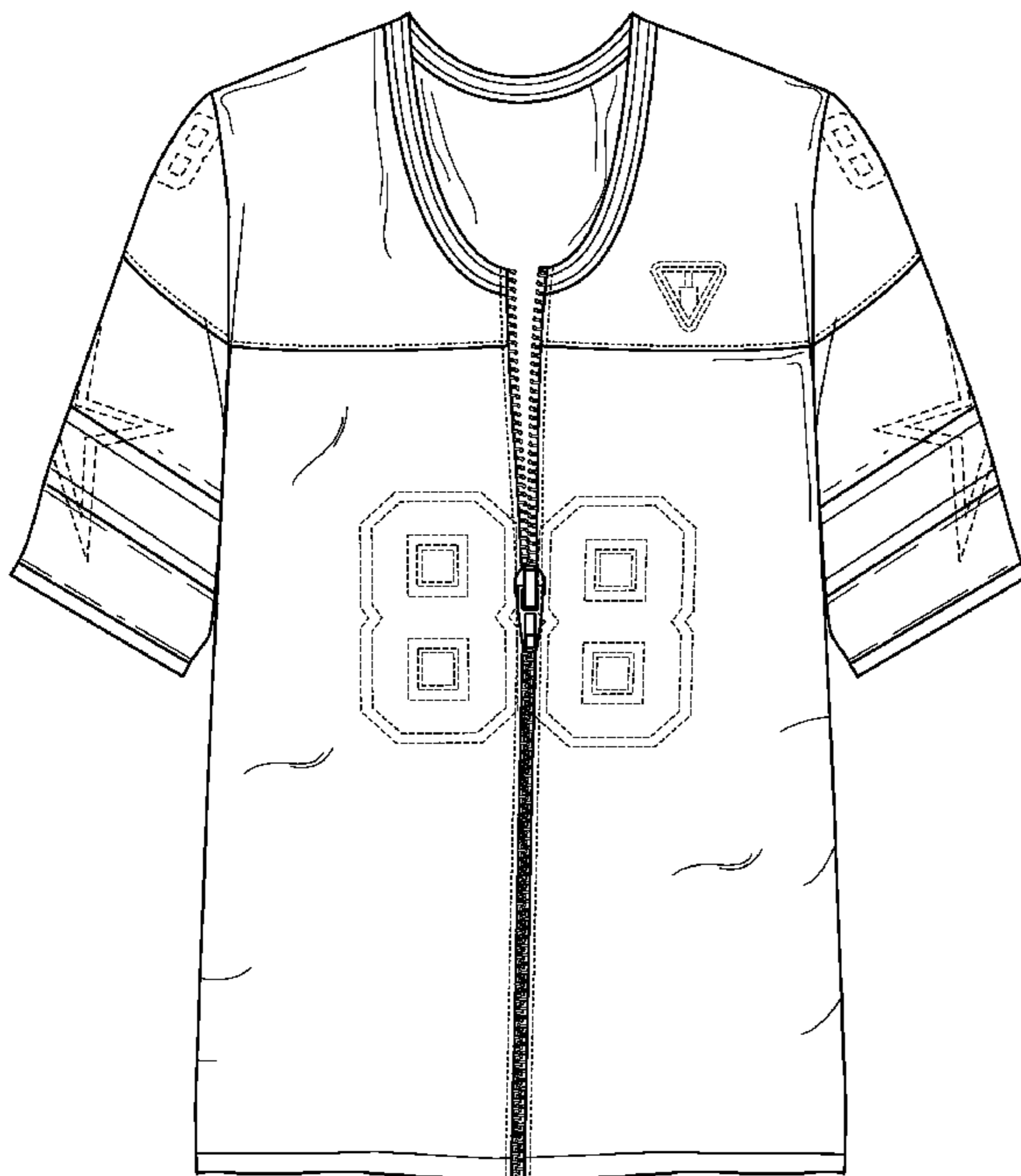
I claim the ornamental design for a zippered jersey, as shown and described.

DESCRIPTION

FIG. 1 is a perspective view of a zippered jersey, showing my new design with a zipper in a mostly-raised position; FIG. 2 is a front elevational view thereof, illustrated with the zipper in a partially-raised position; FIG. 3 is a rear elevational view of FIG. 2; FIG. 4 is a right-side elevational view of FIG. 2, the left-side elevational view being a mirror image thereof; FIG. 5 is a top plan view of FIG. 2; and, FIG. 6 is a bottom plan view of FIG. 2.

The broken lines showing a logo, player number and player name in the drawings depict environmental matter and form no part of the claimed design. The remaining broken lines represent stitching, and are part of the claimed design.

1 Claim, 5 Drawing Sheets



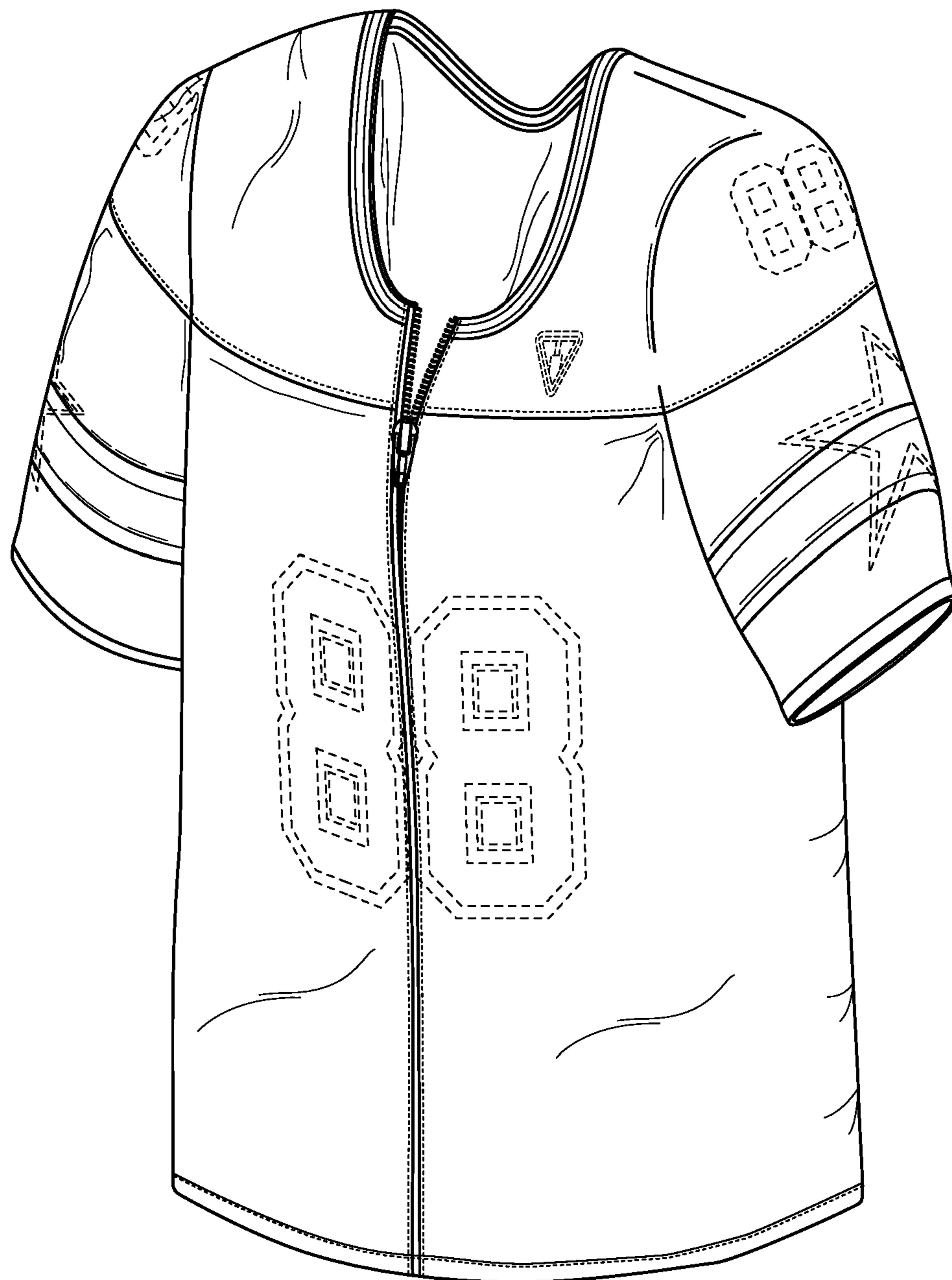


FIG. 1

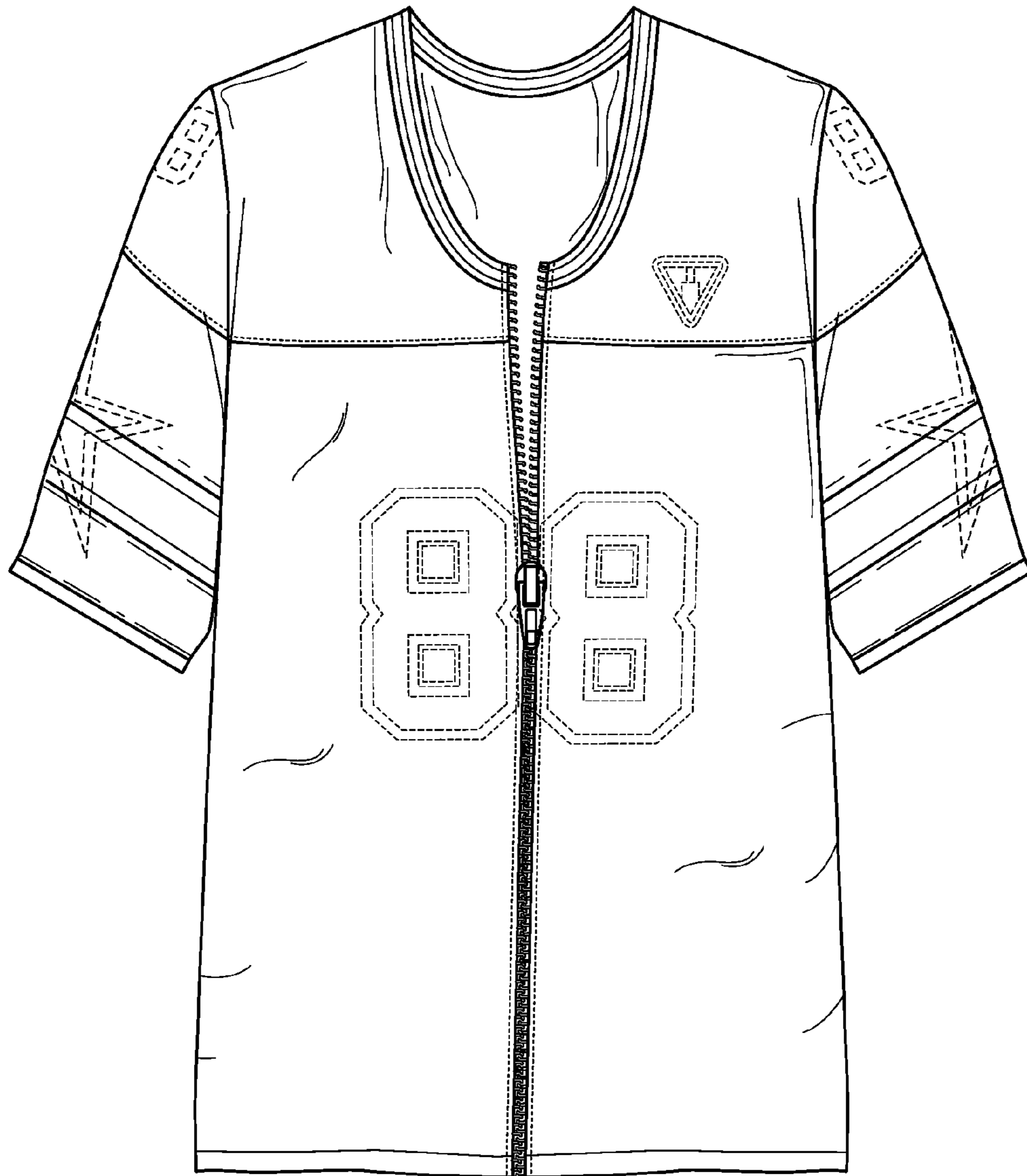


FIG. 2



FIG. 3

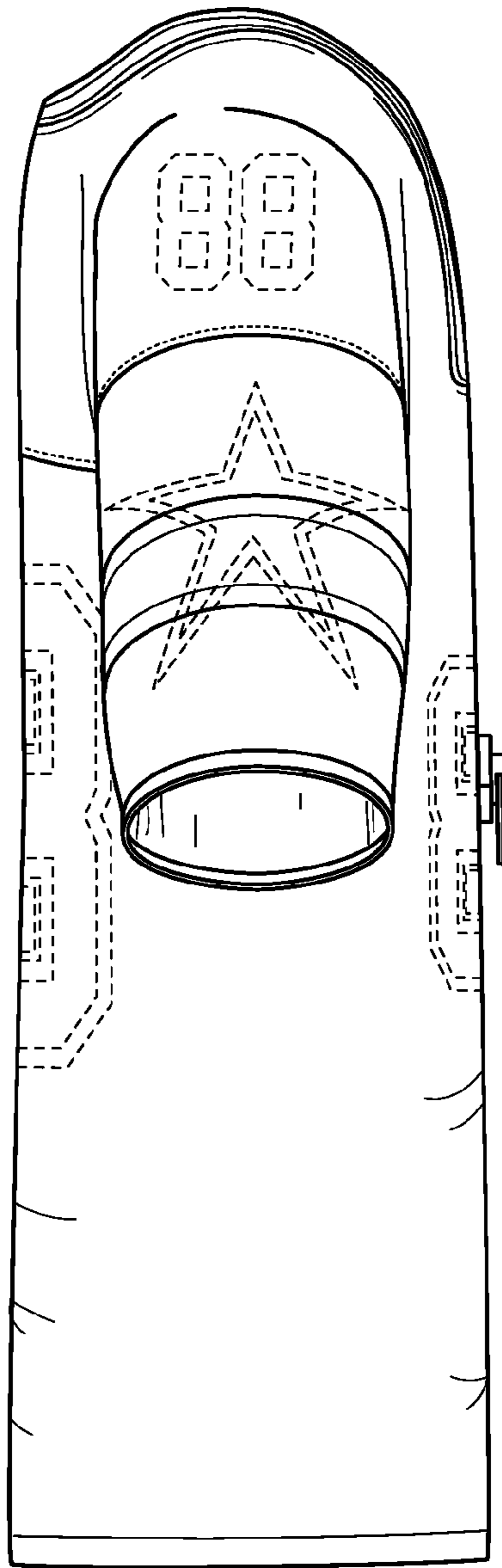


FIG. 4

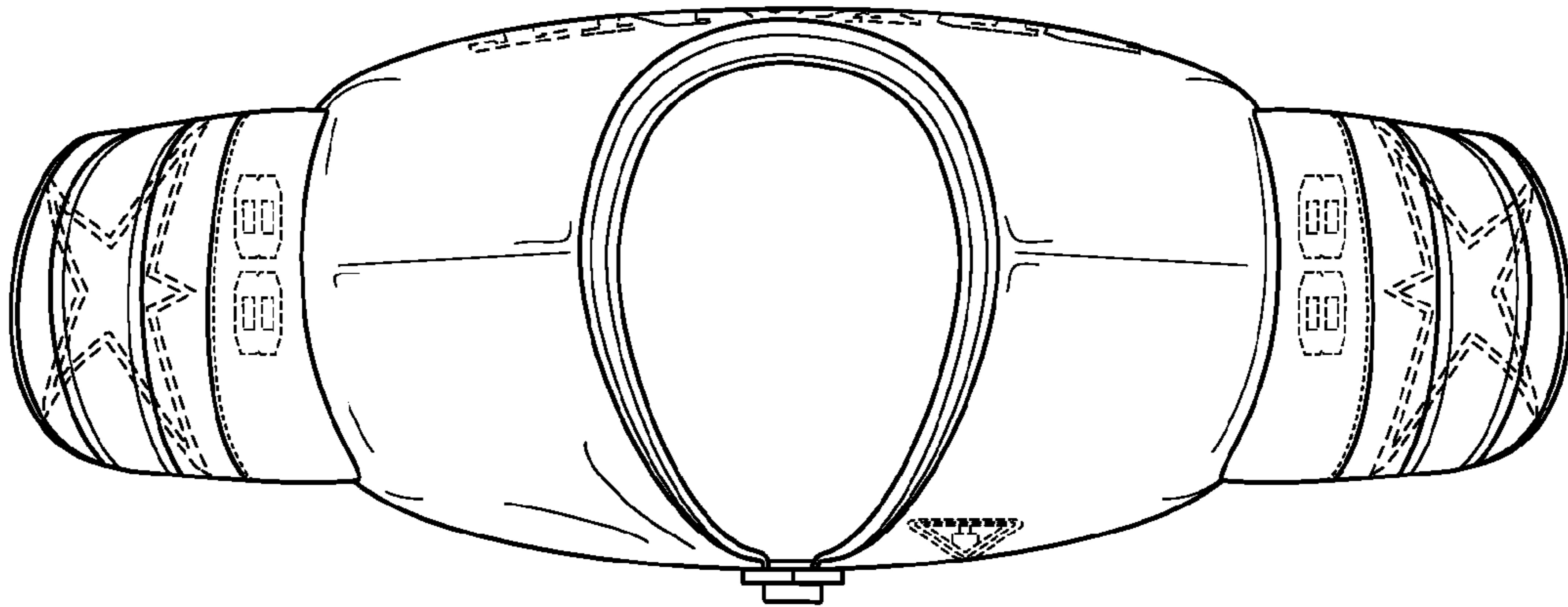


FIG. 5

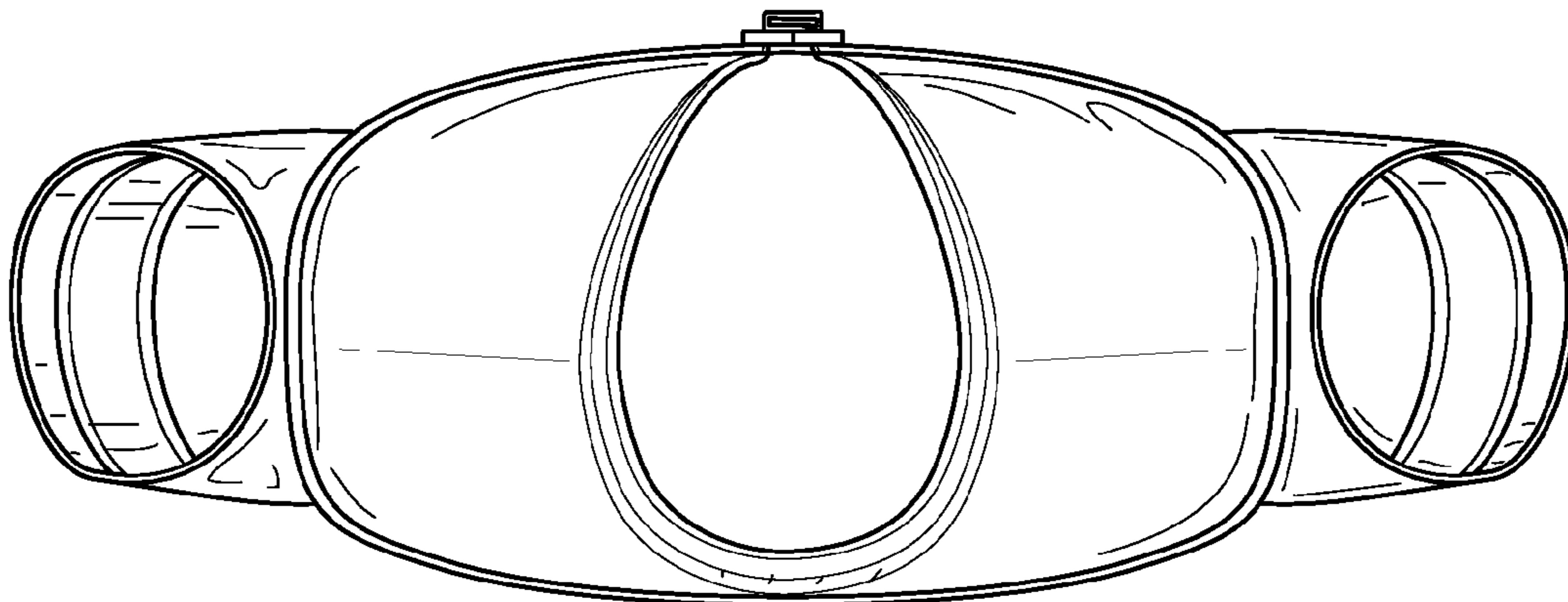


FIG. 6