



US00D661466S

(12) **United States Design Patent**  
**Taft**

(10) **Patent No.:** **US D661,466 S**

(45) **Date of Patent:** **\*\* Jun. 12, 2012**

(54) **RELEASABLE JACKET AND PANTS SET**

(76) Inventor: **Brenda J. Taft**, Shelburn, IN (US)

(\*\*) Term: **14 Years**

(21) Appl. No.: **29/391,611**

(22) Filed: **May 11, 2011**

(51) **LOC (9) Cl.** ..... **02-02**

(52) **U.S. Cl.** ..... **D2/743**

(58) **Field of Classification Search** ..... D2/731,  
D2/738, 742, 743, 728, 717, 720, 739, 749-751,  
D2/828, 840, 841, 844, 847; 2/227, 228,  
2/236-238, 90, 104-106, 108, 113-115  
See application file for complete search history.

(56) **References Cited**

**U.S. PATENT DOCUMENTS**

D292,740	S	*	11/1987	Viola	.....	D2/742
4,791,681	A	*	12/1988	Dean	.....	2/106
5,008,962	A		4/1991	Smith et al.		
5,222,258	A	*	6/1993	Mucci et al.	.....	2/114
5,570,473	A	*	11/1996	Andries	.....	2/93
5,887,279	A	*	3/1999	Elting et al.	.....	2/69
D436,713	S		1/2001	Doolittle		
D458,732	S	*	6/2002	Chain	.....	D2/743
D534,334	S	*	1/2007	Davis	.....	D2/743
D548,929	S	*	8/2007	Dureus	.....	D2/743

D551,826	S	*	10/2007	Lambert	.....	D2/742
7,454,798	B2	*	11/2008	Feodoroff	.....	2/114
D608,528	S	*	1/2010	Tonetti-Spellman	.....	D2/742
D622,935	S	*	9/2010	Jackson et al.	.....	D2/742
D632,460	S	*	2/2011	Kinder	.....	D2/717
2003/0126668	A1		7/2003	Scroggins		
2010/0050315	A1		3/2010	Christou-Kelly et al.		

\* cited by examiner

*Primary Examiner* — Rashida Johnson

(57) **CLAIM**

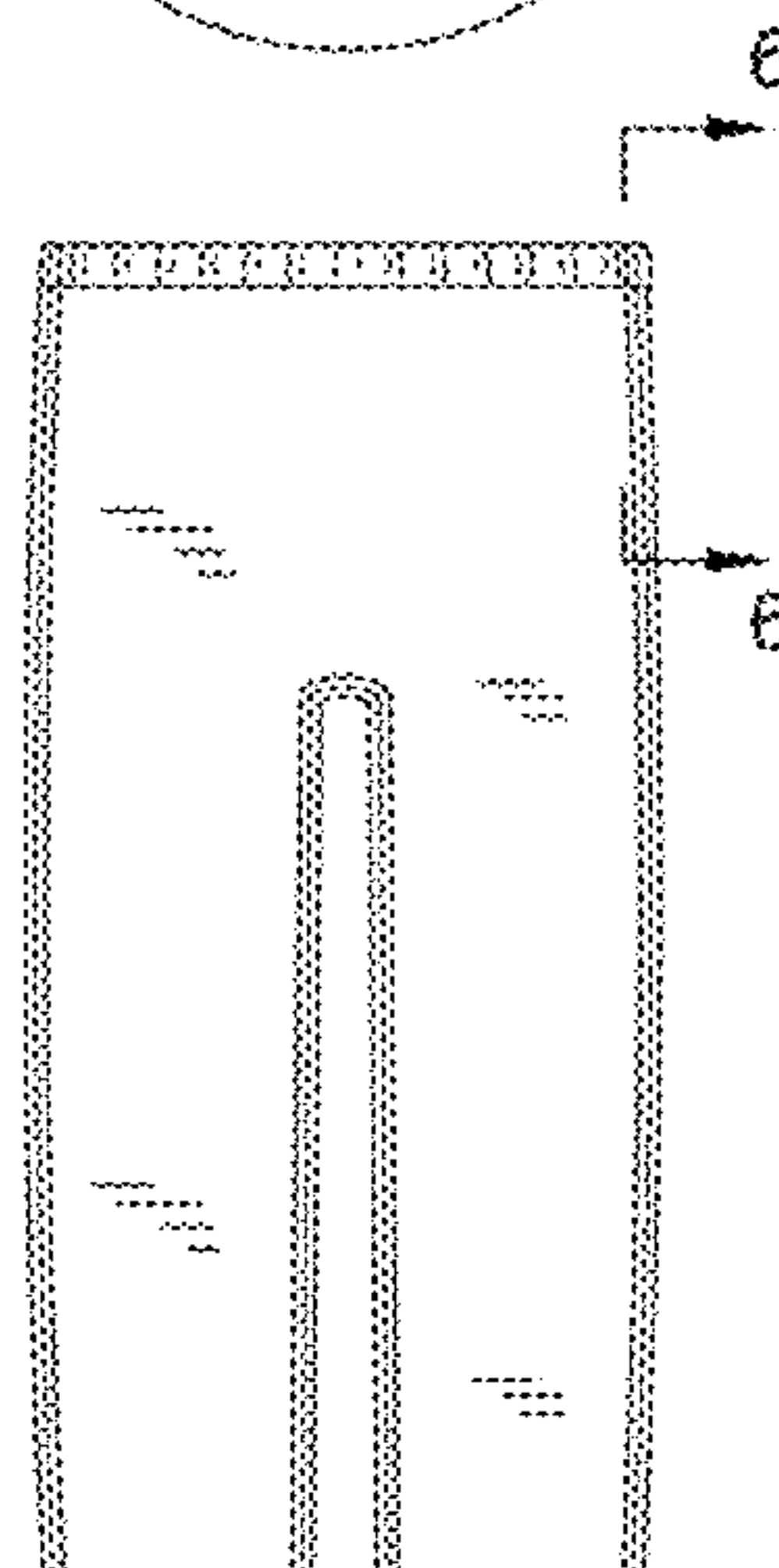
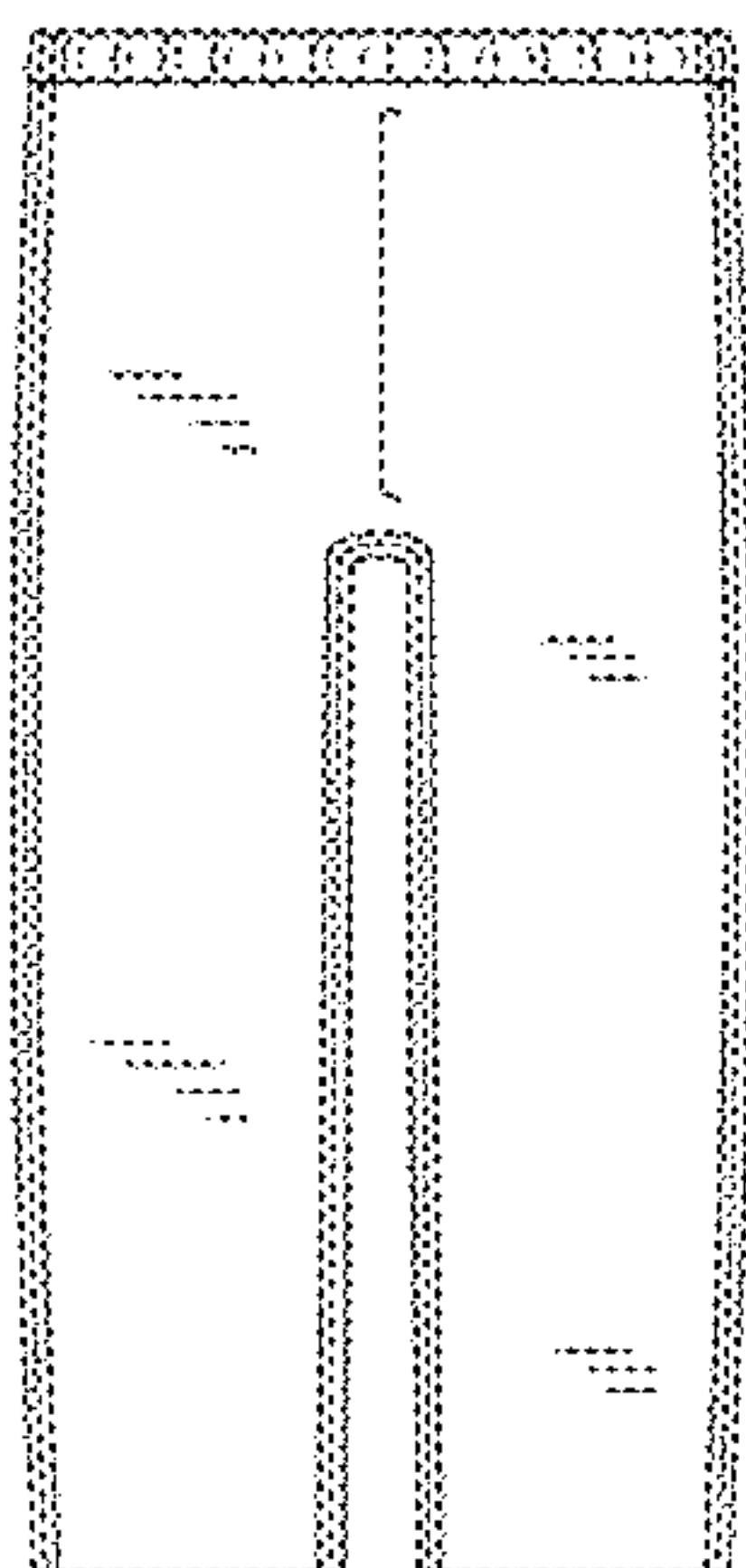
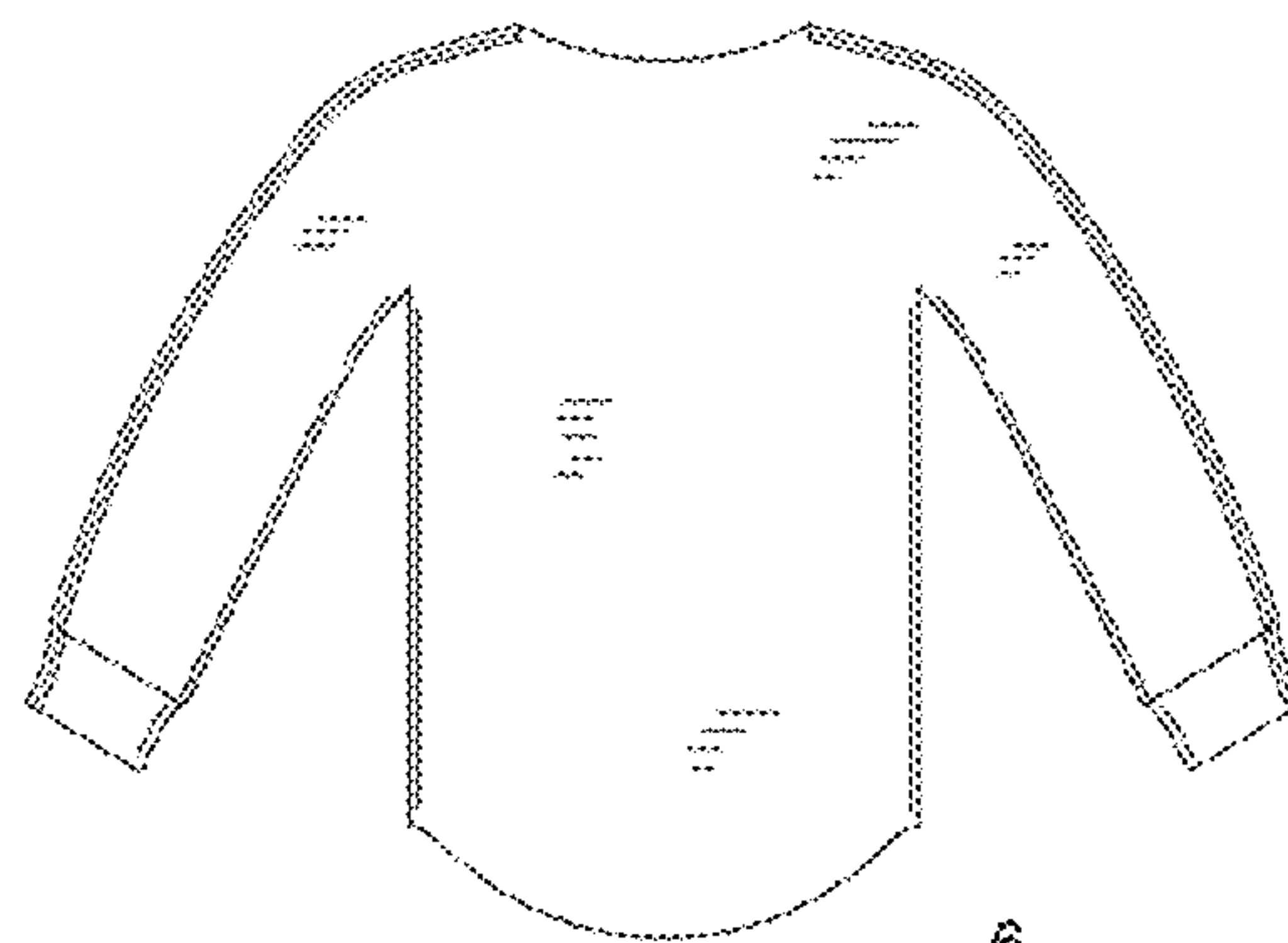
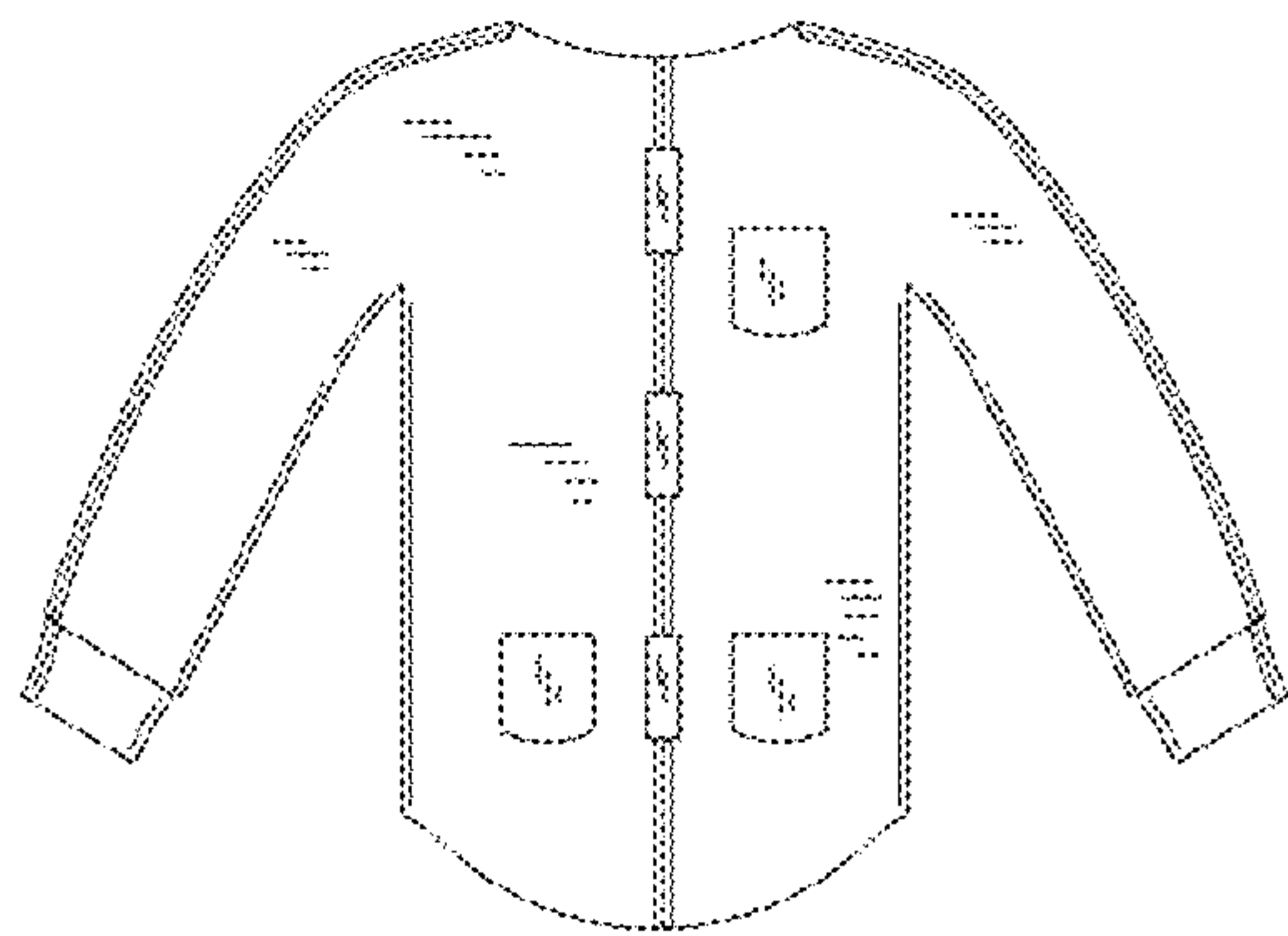
The ornamental design for a releasable jacket and pants set, as shown and described.

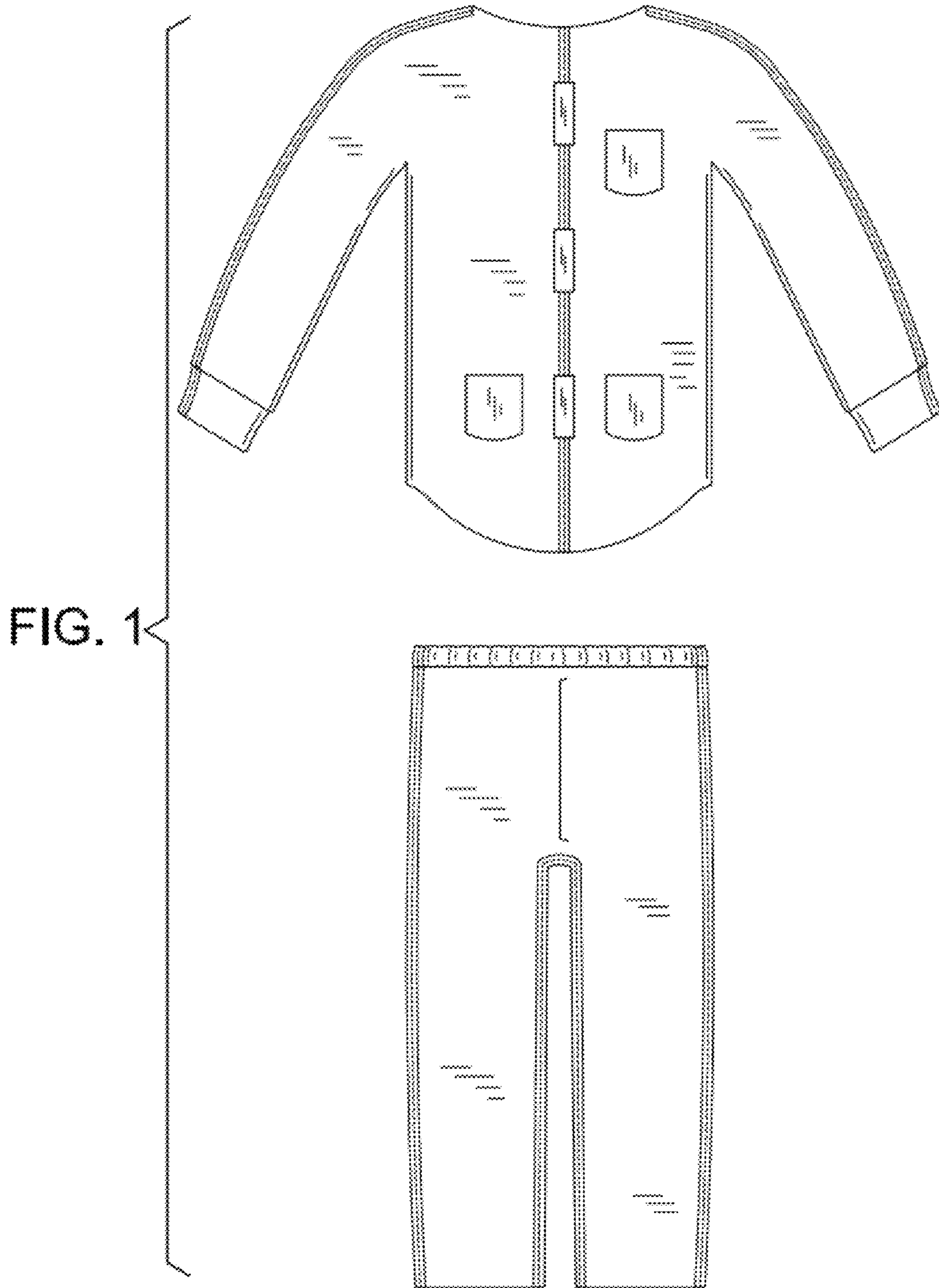
**DESCRIPTION**

FIG. 1 is a front elevation view of a releasable jacket and pants set showing my new design with a top and a pair of pants separated for clarity;  
 FIG. 2 is a rear elevation view thereof;  
 FIG. 3 is a right side elevation view thereof, the opposite side being a mirror image of the shown;  
 FIG. 4 is a top plan view thereof;  
 FIG. 5 is a bottom plan view thereof; and,  
 FIG. 6 is an enlarged cross-sectional view taken along line 6-6 of FIG. 2.

The dashed lines in the drawings represent stitching.

**1 Claim, 5 Drawing Sheets**





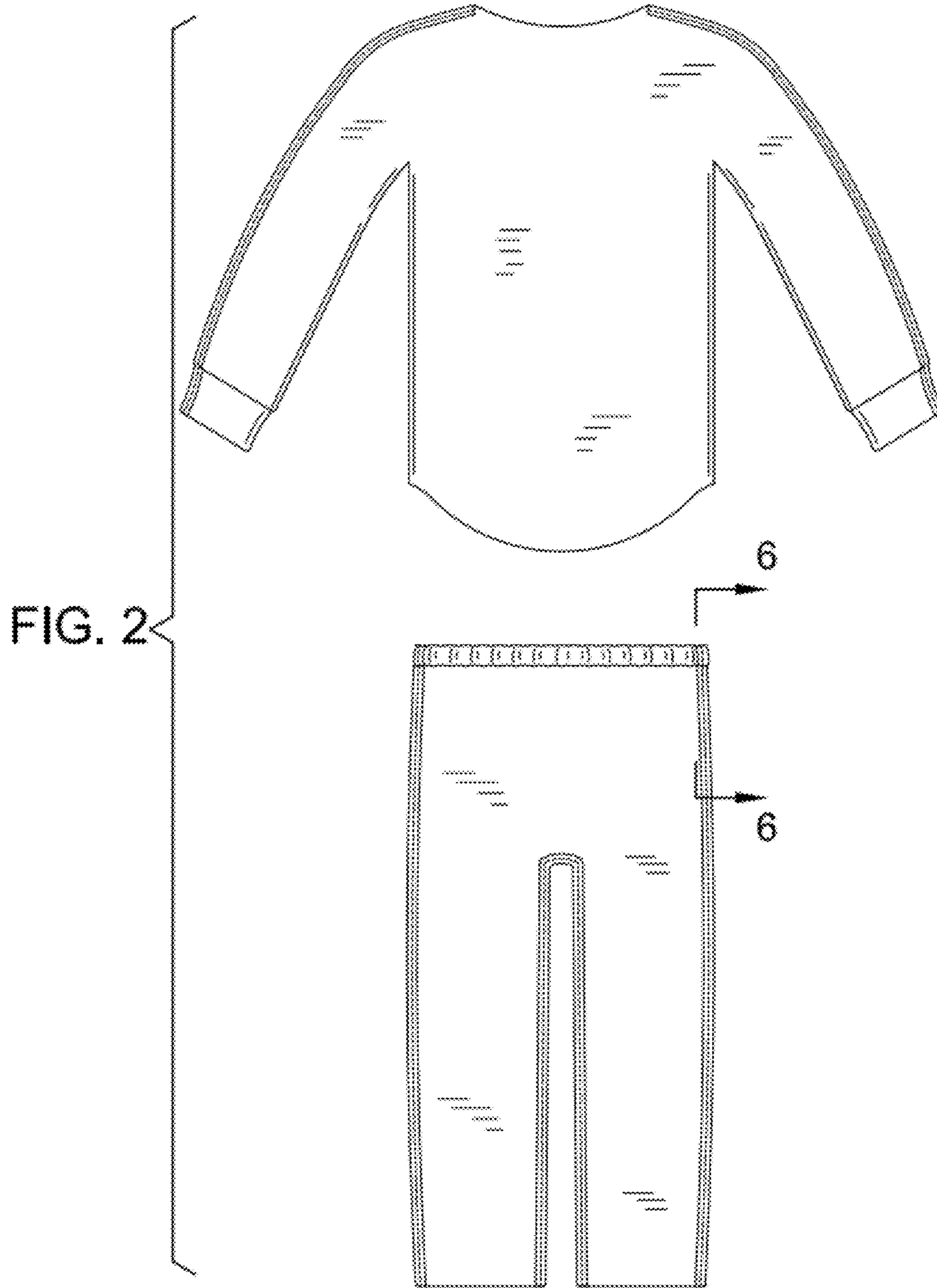
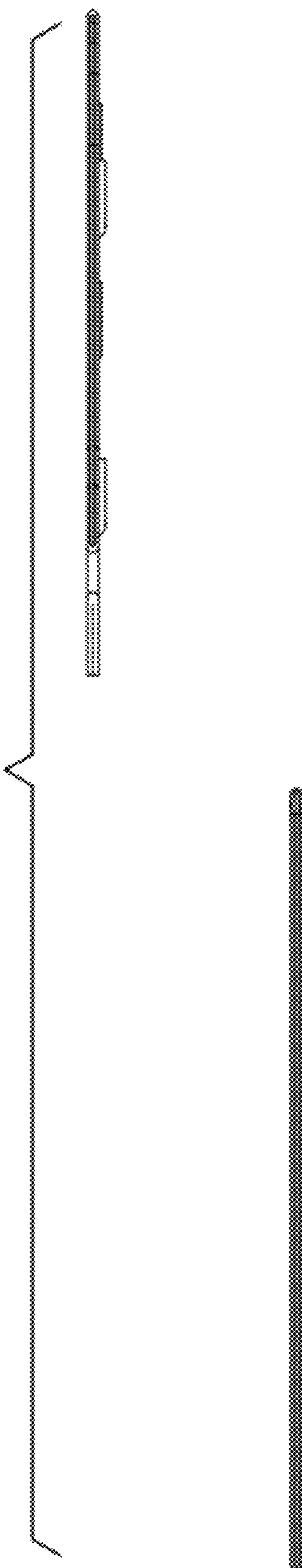
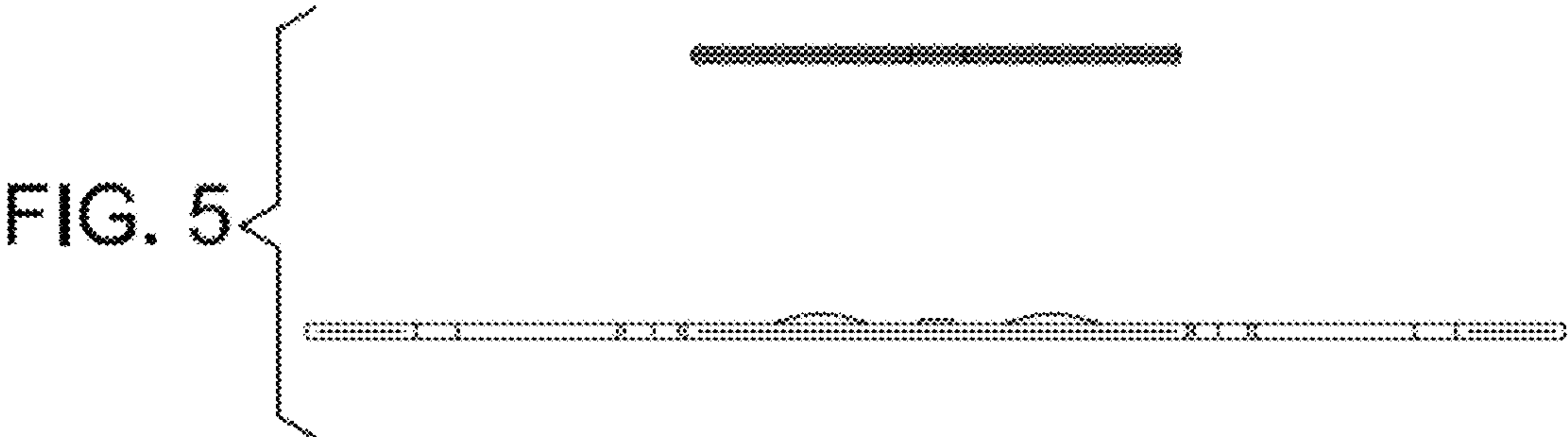
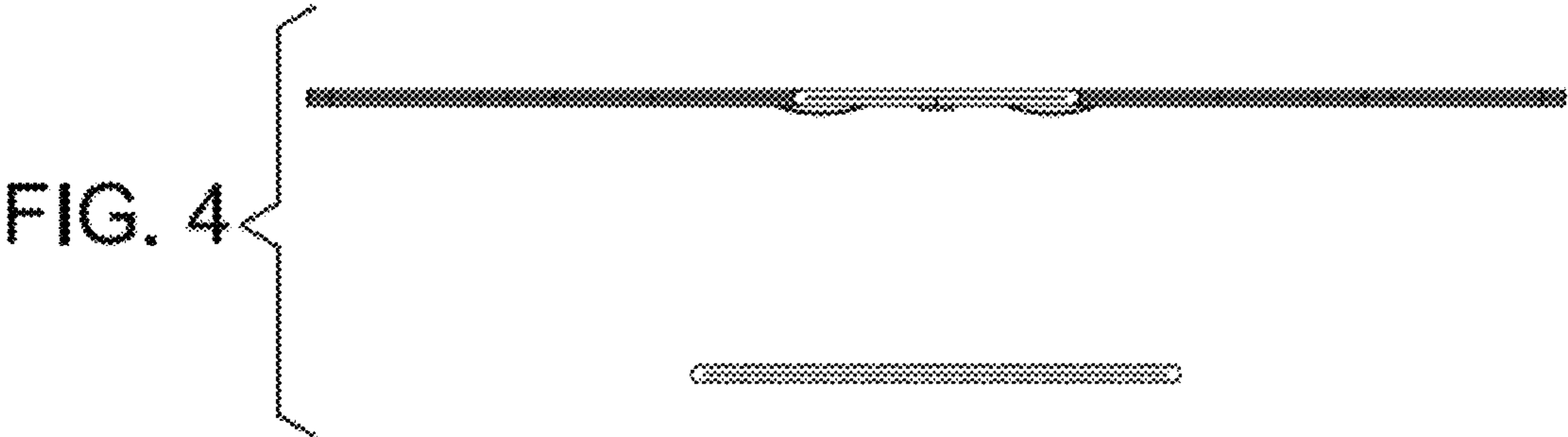


FIG. 3







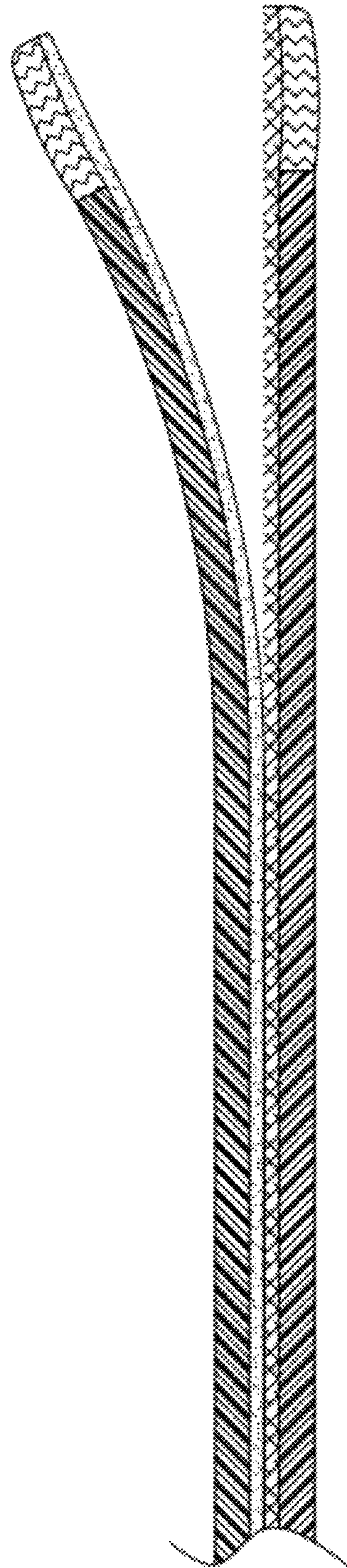


FIG. 6