

US00D661460S

(12) **United States Design Patent**
Roy

(10) **Patent No.:** **US D661,460 S**
(45) **Date of Patent:** **** Jun. 12, 2012**

(54) **BELT**
(75) Inventor: **Gregory J. Roy**, Sarasota, FL (US)
(73) Assignee: **Reactor Tactical Gear, LLC**,
Bradenton, FL (US)
(**) Term: **14 Years**

D339,309 S * 9/1993 Butler D11/19
D340,664 S * 10/1993 Butler D11/19
D361,744 S * 8/1995 Nyiry D13/103
D361,877 S * 9/1995 Ruiz D2/627
D415,785 S * 10/1999 Gettings D17/20
D551,586 S * 9/2007 Guild D11/15
D555,328 S * 11/2007 Gilbert-Biro et al. D2/624
2010/0276320 A1* 11/2010 Kim 206/388
* cited by examiner

(21) Appl. No.: **29/401,614**
(22) Filed: **Sep. 13, 2011**
(51) **LOC (9) Cl.** **02-07**
(52) **U.S. Cl.** **D2/627**
(58) **Field of Classification Search** D2/624-640,
D2/999; D11/3-4, 15, 19-20, 25, 93; 2/300,
2/311-312, 321-322, 338; 224/682
See application file for complete search history.

Primary Examiner — T. Chase Nelson
Assistant Examiner — Kathleen M Sims
(74) *Attorney, Agent, or Firm* — Michael A. Myers;
Shumaker, Loop & Kendrick, LLP

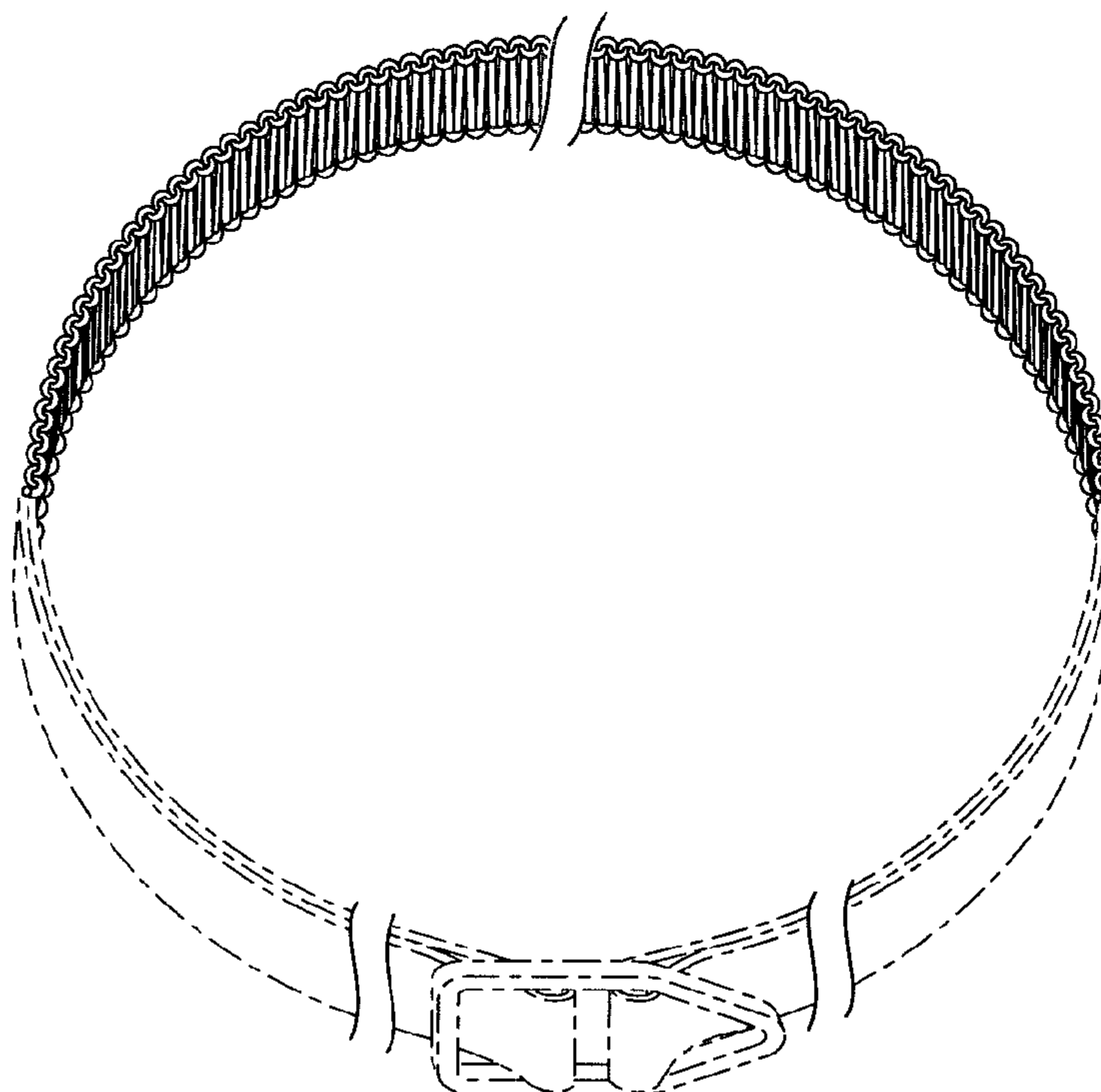
(57) **CLAIM**
The ornamental design for a belt, as shown and described.

DESCRIPTION

(56) **References Cited**
U.S. PATENT DOCUMENTS
D7,791 S * 10/1874 Bates D2/637
D27,734 S * 10/1897 Bigney D11/15
653,609 A * 7/1900 Batt 224/682
1,173,998 A * 2/1916 Depew 217/93
1,338,859 A * 5/1920 Fogg 2/300
D106,058 S * 9/1937 Pomerantz D2/632
D139,043 S * 10/1944 Boots D11/25
2,499,717 A * 3/1950 Bolinger 2/321
D158,750 S * 5/1950 Katz D11/15
D161,189 S * 12/1950 Knibb D11/20
D178,674 S * 9/1956 Katz D11/4
D256,568 S * 8/1980 Young D11/25
D328,039 S * 7/1992 Cowan D11/19

FIG. 1 is an elevated perspective view of a belt showing my new design;
FIG. 2 is a top plan view thereof;
FIG. 3 is a bottom view thereof;
FIG. 4 is side view thereof; and,
FIG. 5 is another side view thereof.
The design is shown broken away in the figure views in order to indicate that a specific length of belt forms no part of the claimed design.
The broken line showing of belt segments and buckle is included for the purpose of illustrating environment and forms no part of the claimed design.

1 Claim, 3 Drawing Sheets



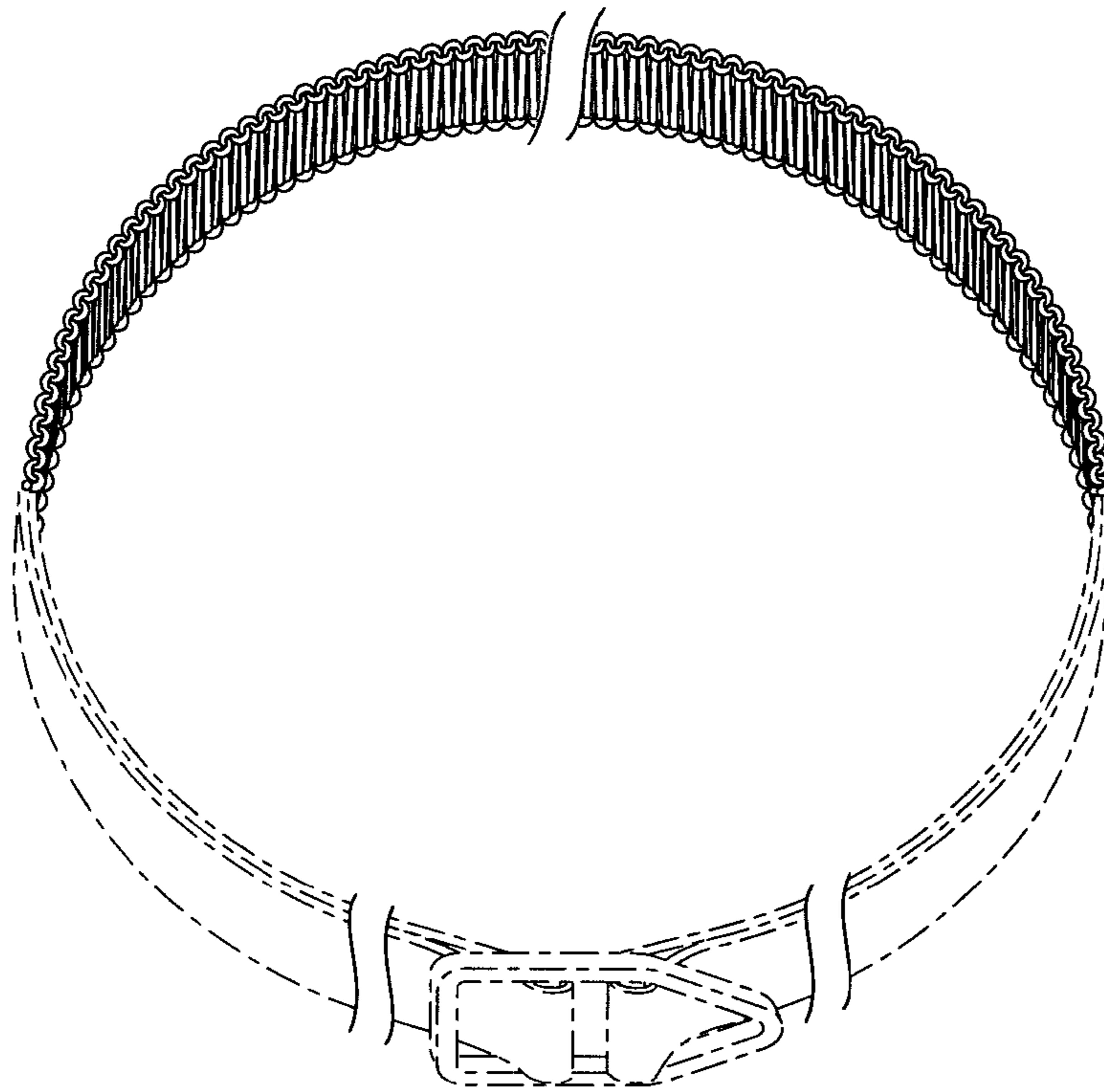


FIG. 1

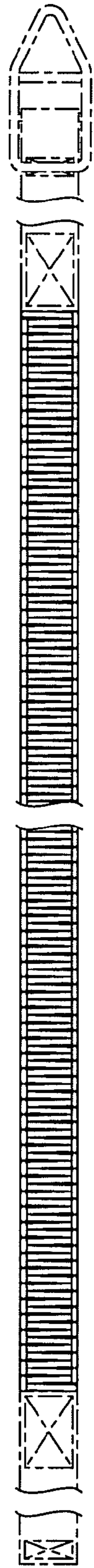


FIG. 2

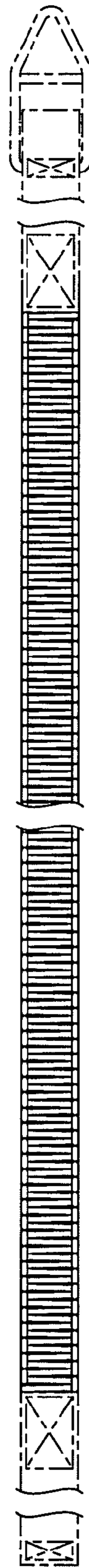


FIG. 3



FIG. 4



FIG. 5