

US00D661455S

(12) **United States Design Patent**  
**Wolfe et al.**

(10) **Patent No.:** **US D661,455 S**  
(45) **Date of Patent:** **\*\* Jun. 5, 2012**

(54) **CONTAINER**

(76) Inventors: **Howard David Wolfe**, Saint Laurent (CA); **Alan Warren Bright**, Cote St. Luc (CA)

(\*\*) Term: **14 Years**

(21) Appl. No.: **29/391,306**

(22) Filed: **May 6, 2011**

(51) **LOC (9) Cl.** ..... **99-00**

(52) **U.S. Cl.** ..... **D99/1**

(58) **Field of Classification Search** ..... D99/1,  
D99/3, 5, 10, 15; 27/1, 6, 10, 15; 312/5,  
312/6, 108; 52/134, 136; D9/434, 433, 432,  
D9/414; 119/490; 206/510; 220/4.28, 6,  
220/7, 618; 229/117.5, 156  
See application file for complete search history.

(56) **References Cited**

**U.S. PATENT DOCUMENTS**

D138,201	S	*	7/1944	Newlon	.....	D99/1
2,591,104	A	*	4/1952	Stone	.....	220/4.28
2,714,982	A	*	8/1955	Strauss	.....	229/117.15
2,805,813	A	*	9/1957	Rittmueller	.....	229/117.15
2,866,676	A	*	12/1958	Goebel	.....	312/265.1
3,070,868	A	*	1/1963	Dell et al.	.....	27/35
3,266,656	A	*	8/1966	Kridle	.....	220/4.28
3,955,864	A	*	5/1976	MacDonald et al.	.....	312/258
3,997,948	A	*	12/1976	Hicks et al.	.....	27/2
4,010,888	A	*	3/1977	Gilbert	.....	119/454
4,091,950	A	*	5/1978	Craven	.....	217/47
D253,975	S	*	1/1980	Brunson	.....	D99/6
D292,839	S	*	11/1987	Brogdon	.....	D99/1

D305,402	S	*	1/1990	Novak	.....	D8/395
D309,104	S	*	7/1990	Solomon	.....	D3/272
5,230,127	A	*	7/1993	Zukowski et al.	.....	27/1
D341,915	S	*	11/1993	Martin	.....	D99/1
5,287,603	A	*	2/1994	Schorman	.....	27/1
5,722,551	A	*	3/1998	Cocciemiglio, Jr.	.....	220/4.33
5,743,421	A	*	4/1998	Gonzalez et al.	.....	220/4.28
D415,870	S	*	10/1999	Severson et al.	.....	D99/1
D418,960	S	*	1/2000	Wiley	.....	D99/1
D444,932	S	*	7/2001	Greive et al.	.....	D99/5
7,287,306	B1	*	10/2007	Green	.....	27/1
D626,715	S	*	11/2010	Kendall	.....	D99/1
8,046,881	B2	*	11/2011	Johnson et al.	.....	27/1

\* cited by examiner

*Primary Examiner* — Paula Greene

(74) *Attorney, Agent, or Firm* — Brooks Kushman P.C.

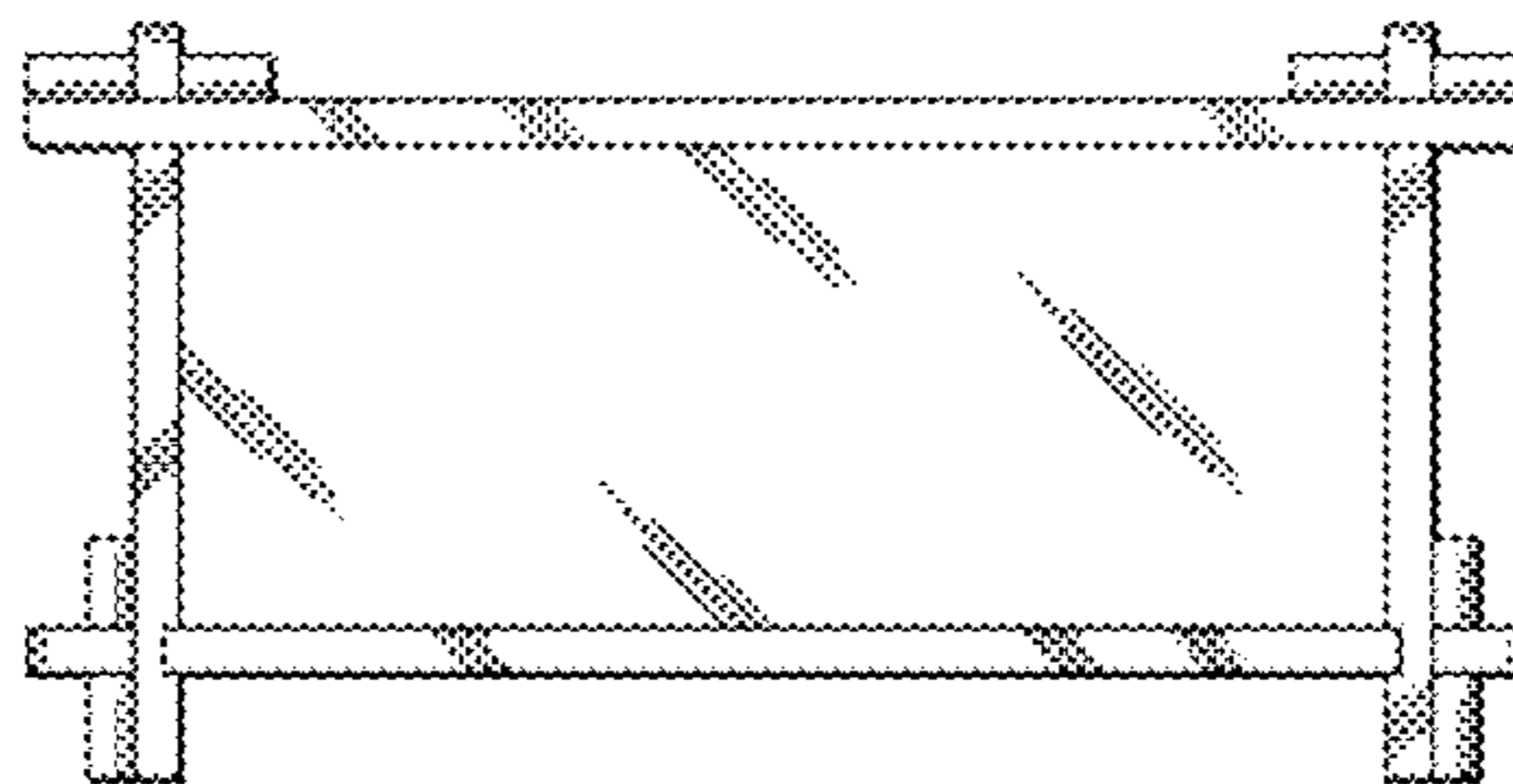
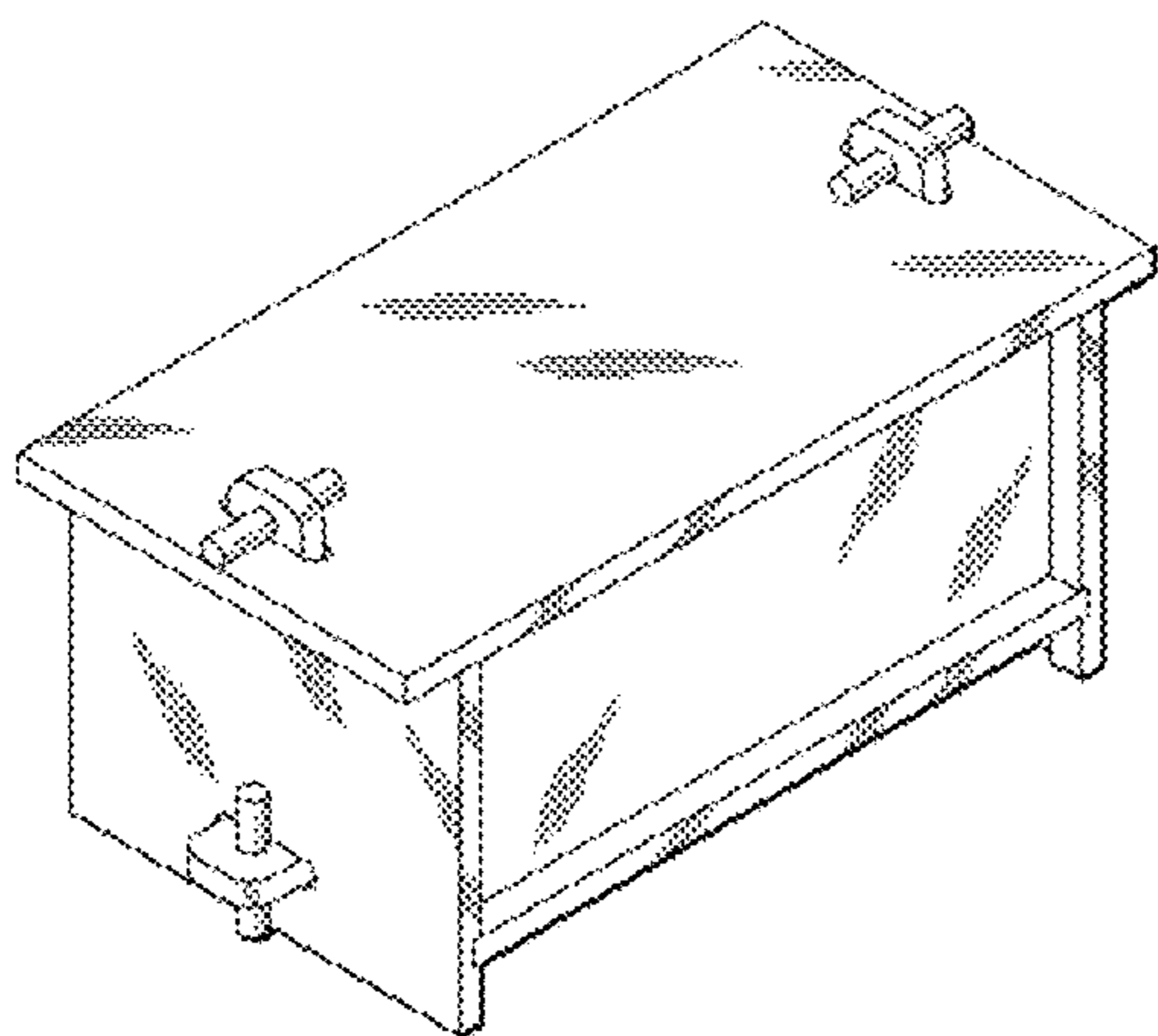
(57) **CLAIM**

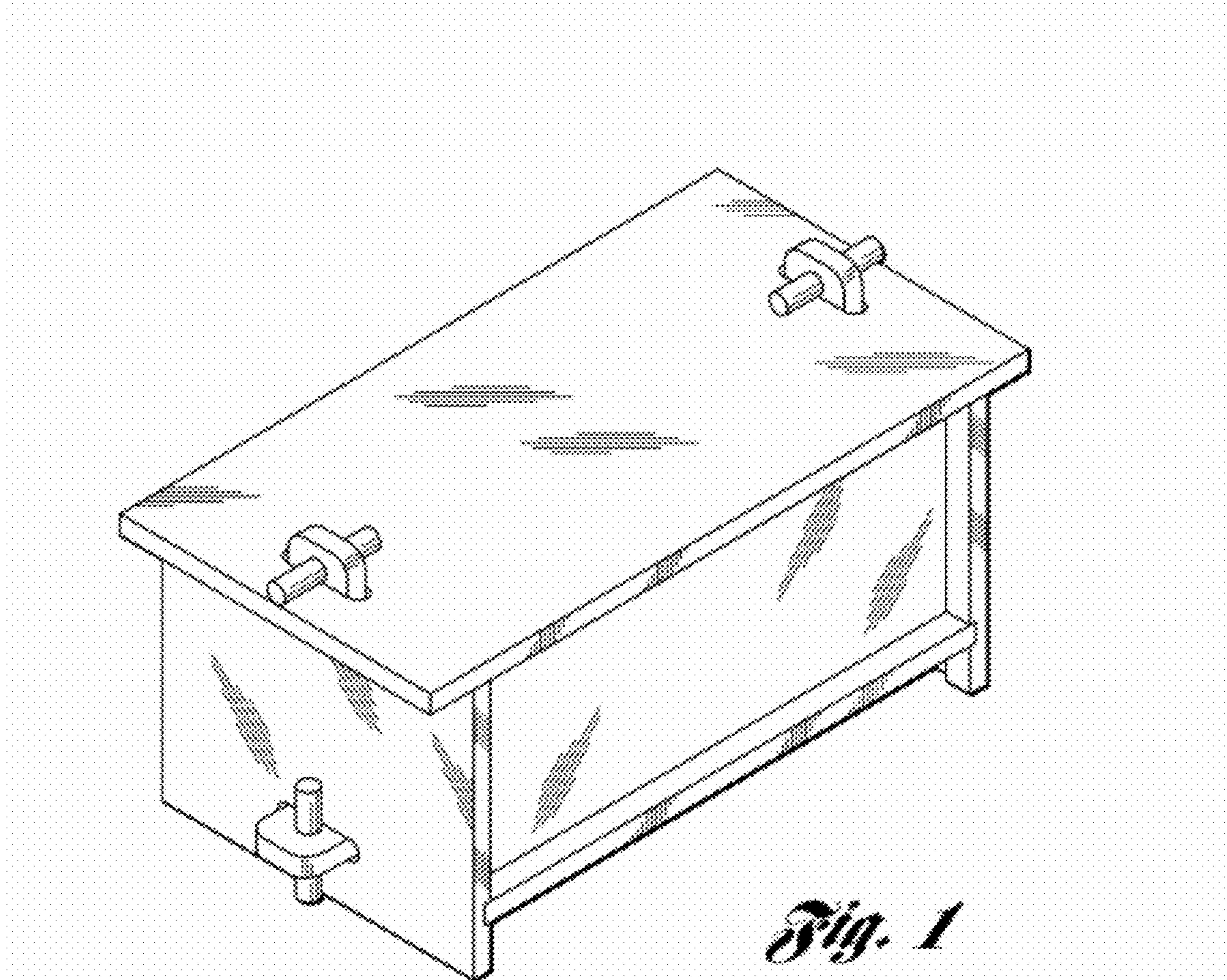
The ornamental design for a container, as shown and described.

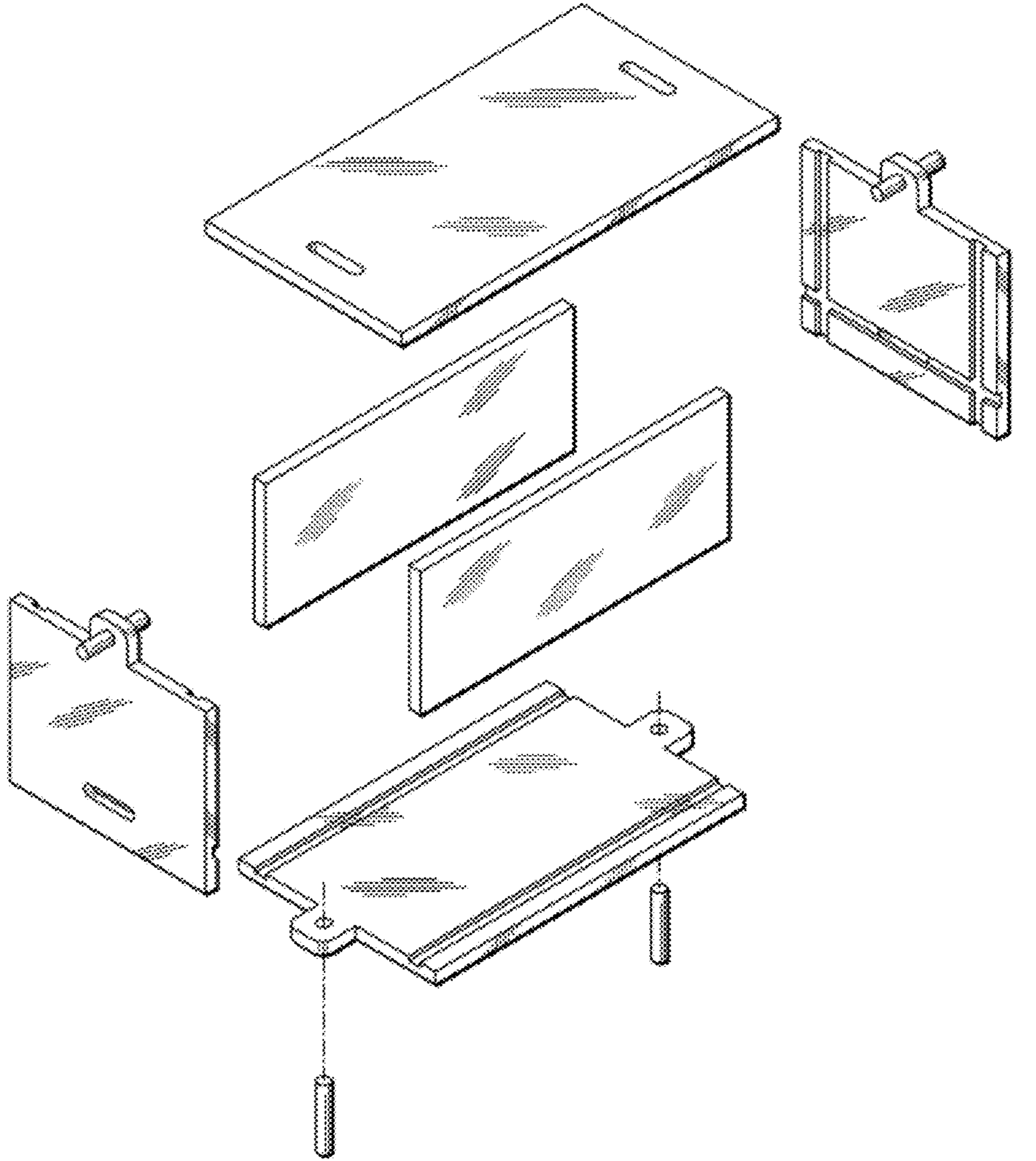
**DESCRIPTION**

FIG. 1 is a perspective view of the container of the present invention;  
FIG. 2 is an exploded perspective view of the present invention, the opposite perspective view is a mirror image;  
FIG. 3 is a front view of the present invention;  
FIG. 4 is a rear view of the present invention;  
FIG. 5 is the right side view of the present invention;  
FIG. 6 is the left side view of the present invention;  
FIG. 7 is a bottom plan view of the present invention; and,  
FIG. 8 is a top plan view of the present invention.

**1 Claim, 5 Drawing Sheets**

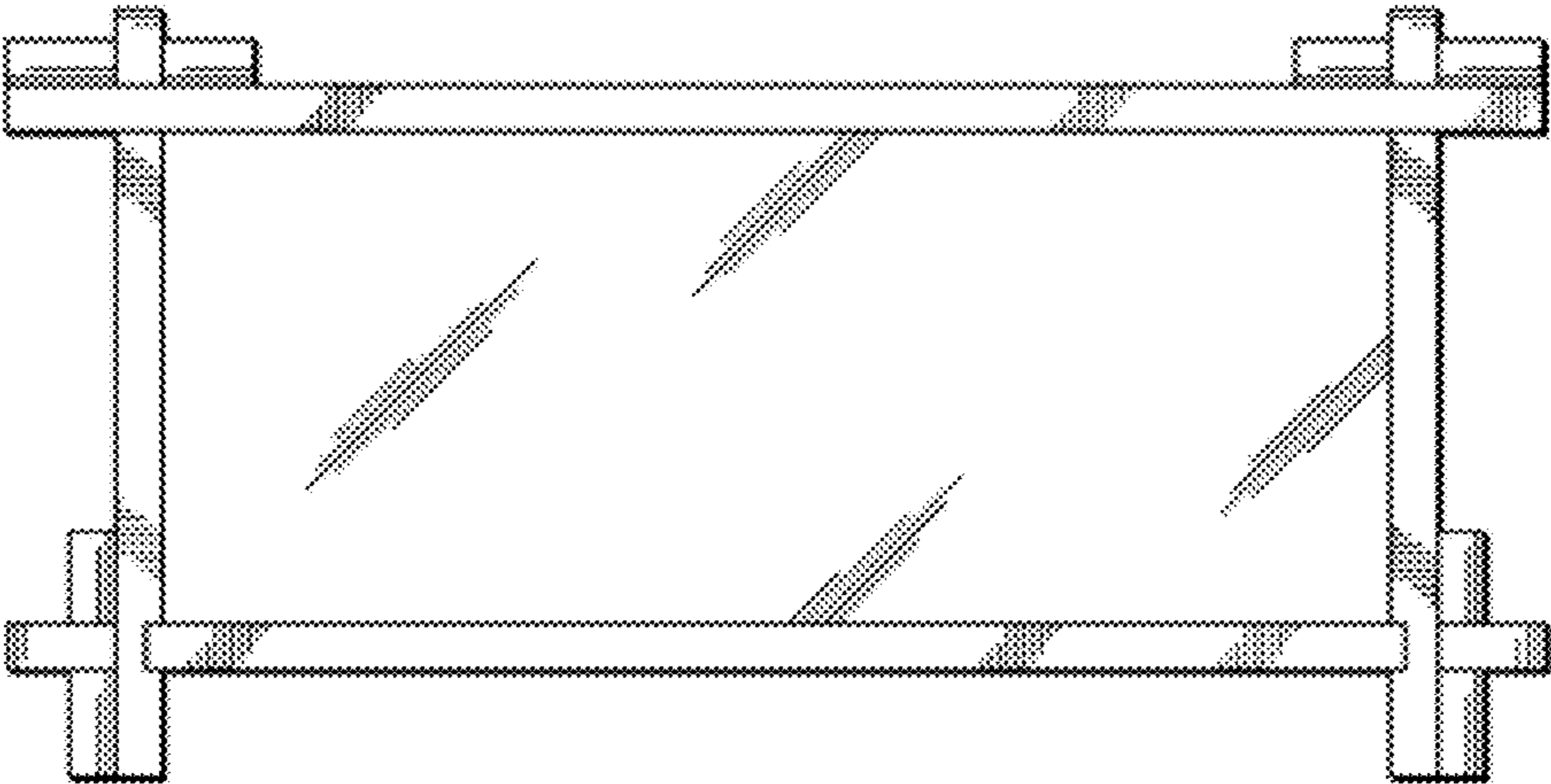




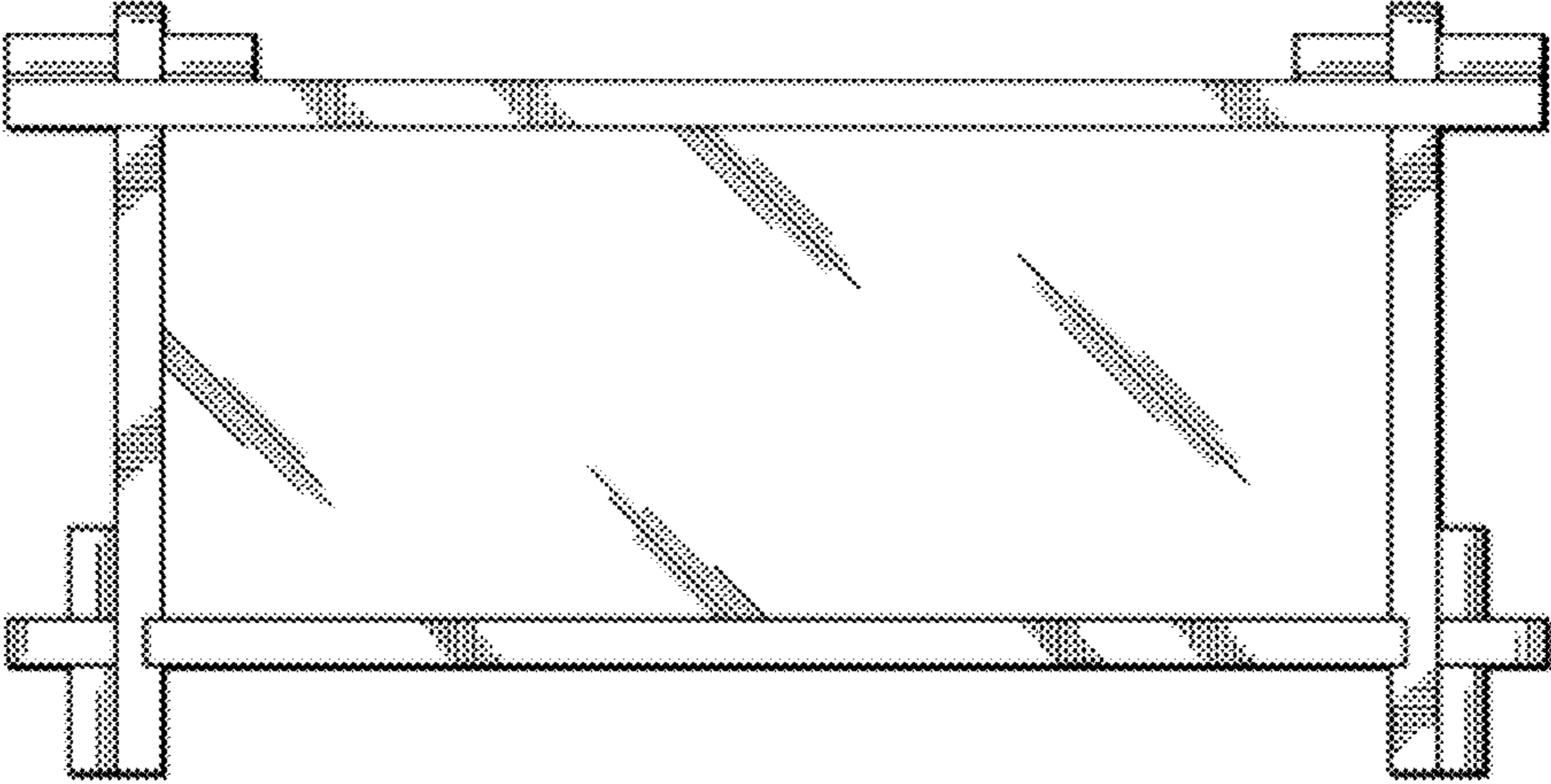


*Fig. 2*

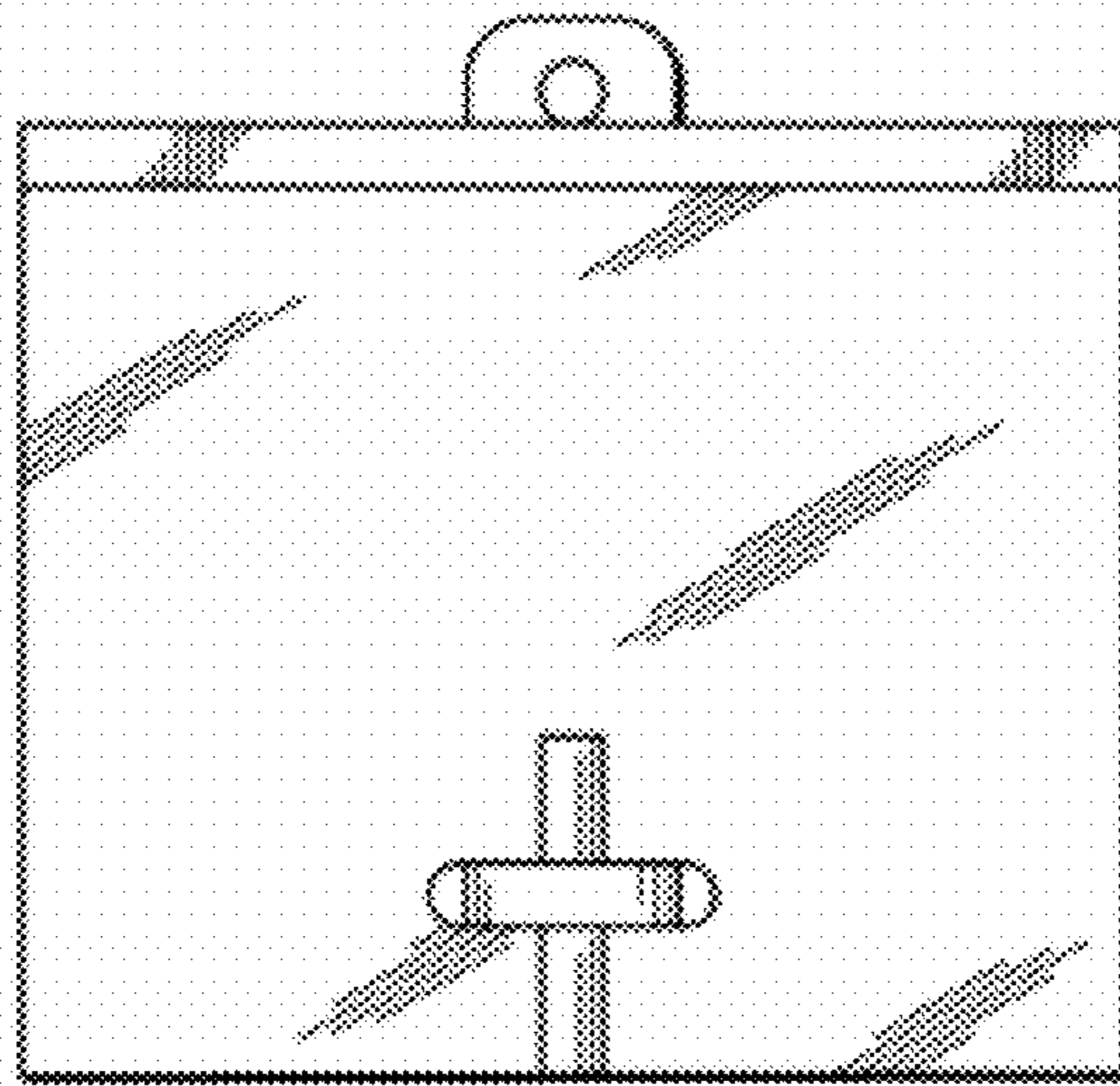




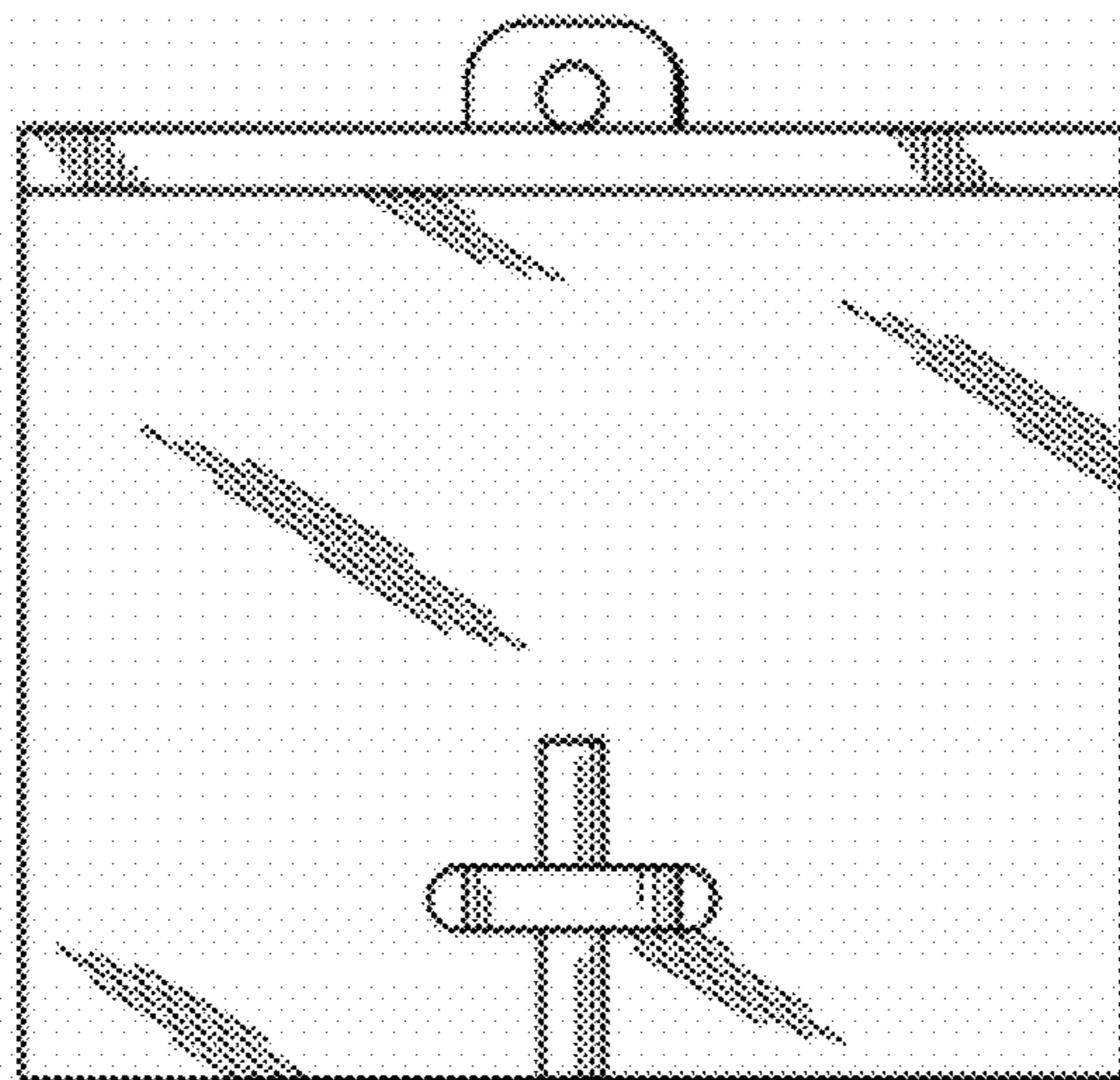
*Fig. 3*



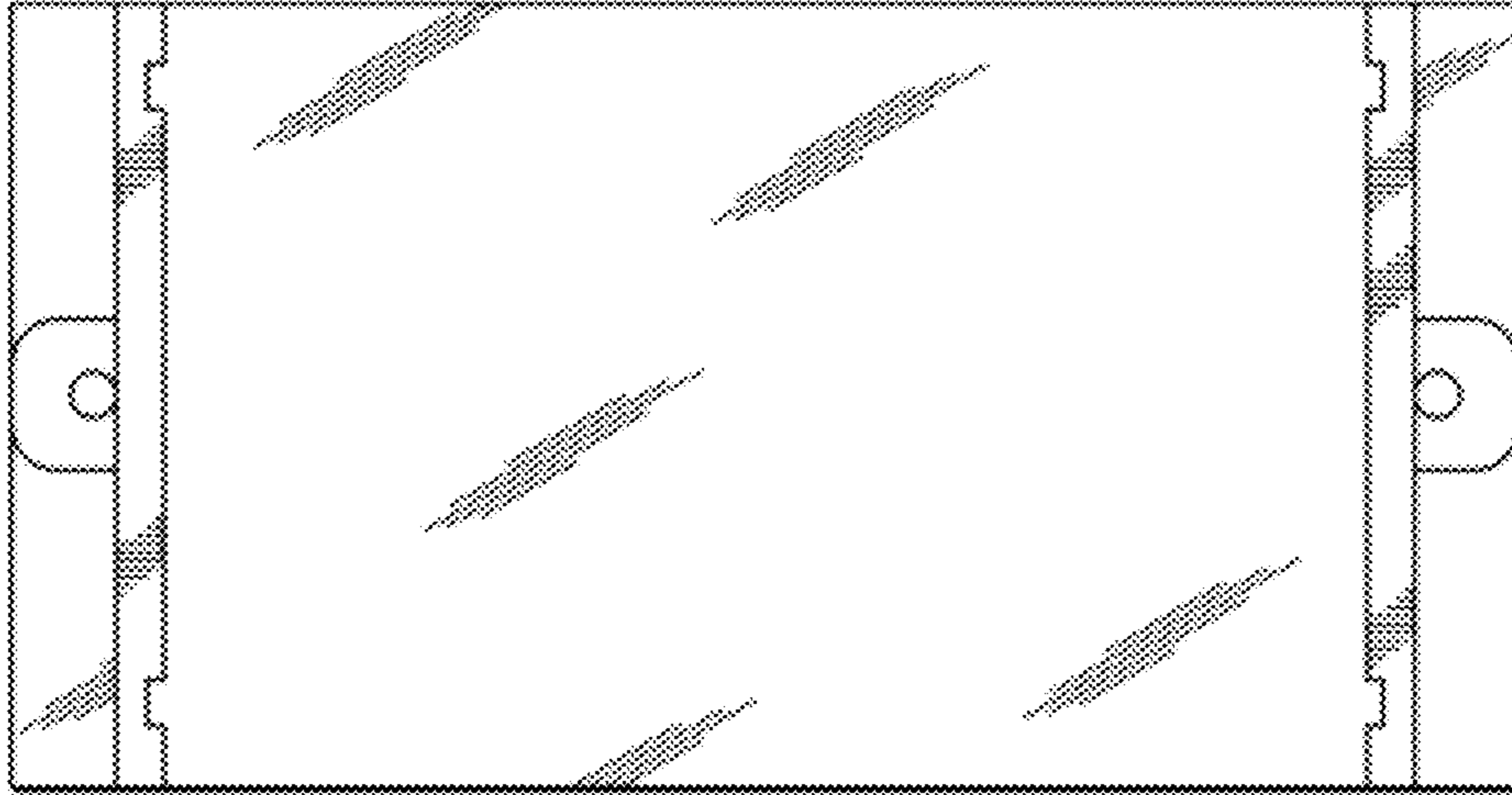
*Fig. 4*



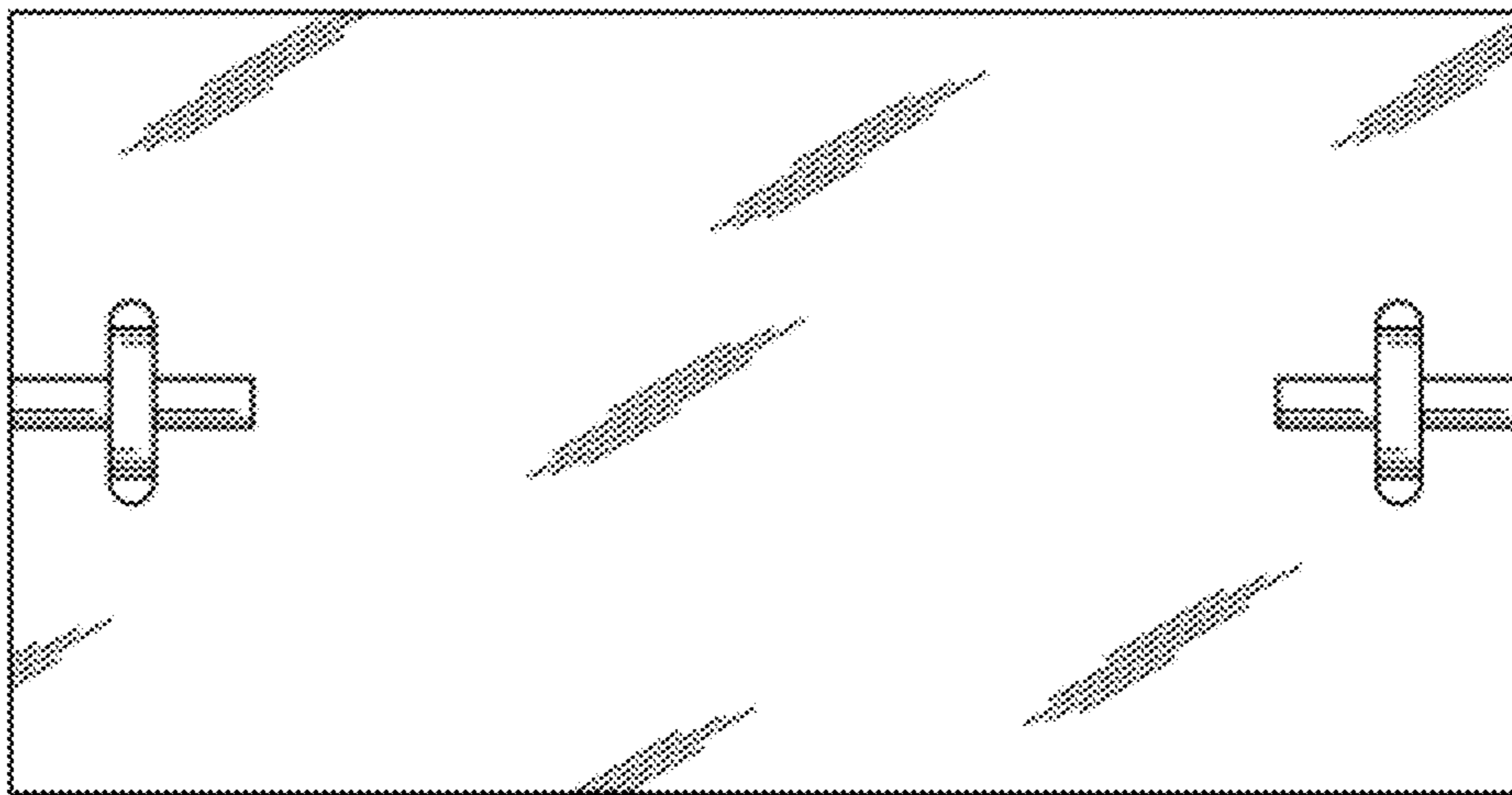
*Fig. 5*



*Fig. 6*



*Fig. 7*



*Fig. 8*