



US00D661454S

(12) **United States Design Patent**
Coir et al.

(10) **Patent No.:** **US D661,454 S**
(45) **Date of Patent:** **** Jun. 5, 2012**

(54) **ELEVATED PLATFORM**

(76) Inventors: **Mark Allen Coir**, Birmingham, MI
(US); **Jeffrey David Evarts**, Detroit, MI
(US); **Diane Ellen Schmale**,
Birmingham, MI (US)

(**) Term: **14 Years**

(21) Appl. No.: **29/401,948**

(22) Filed: **Sep. 19, 2011**

(51) **LOC (9) Cl.** **09-08**

(52) **U.S. Cl.** **D34/38**

(58) **Field of Classification Search** D34/38;
108/51.11, 53.1, 53.3, 53.5, 55.1, 57.13
See application file for complete search history.

(56) **References Cited**

U.S. PATENT DOCUMENTS

3,242,883	A *	3/1966	Aronis	108/52.1
3,565,018	A *	2/1971	Jay	108/53.1
D240,212	S *	6/1976	Zims	D34/38
4,958,841	A *	9/1990	Keen	280/47.35
5,242,255	A *	9/1993	Gleffe et al.	414/403
5,644,992	A *	7/1997	Clive-Smith	108/55.1

5,906,165	A *	5/1999	McCorkle et al.	108/55.1
6,478,169	B2 *	11/2002	Krusell	211/85.7
2012/0013092	A1 *	1/2012	Fan	280/79.3

* cited by examiner

Primary Examiner — Cynthia Ramirez

(74) *Attorney, Agent, or Firm* — Bliss McGlynn, P.C.

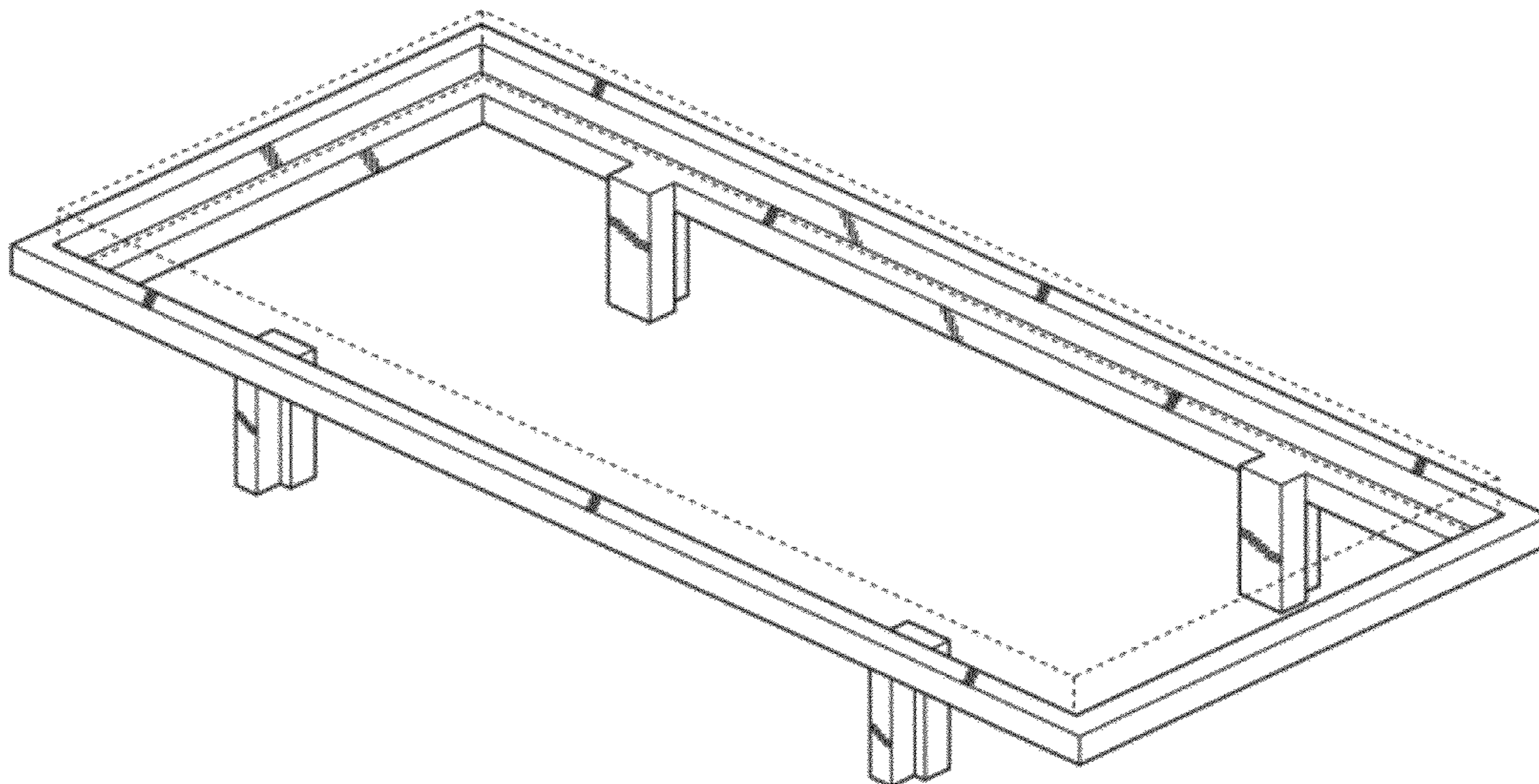
(57) **CLAIM**

The ornamental design for an elevated platform, as shown and described.

DESCRIPTION

FIG. 1 is a perspective view of an elevated platform design of the present invention;
FIG. 2 is a side view thereof;
FIG. 3 is a top view thereof;
FIG. 4 is an end view thereof;
FIG. 5 is a view of the opposite end thereof;
FIG. 6 is a bottom view thereof; and,
FIG. 7 is a side view opposite to the view illustrated in FIG. 2.
The broken line showing in FIG. 1 is included for the purpose of illustrating environment and forms no part of the claimed design.

1 Claim, 2 Drawing Sheets



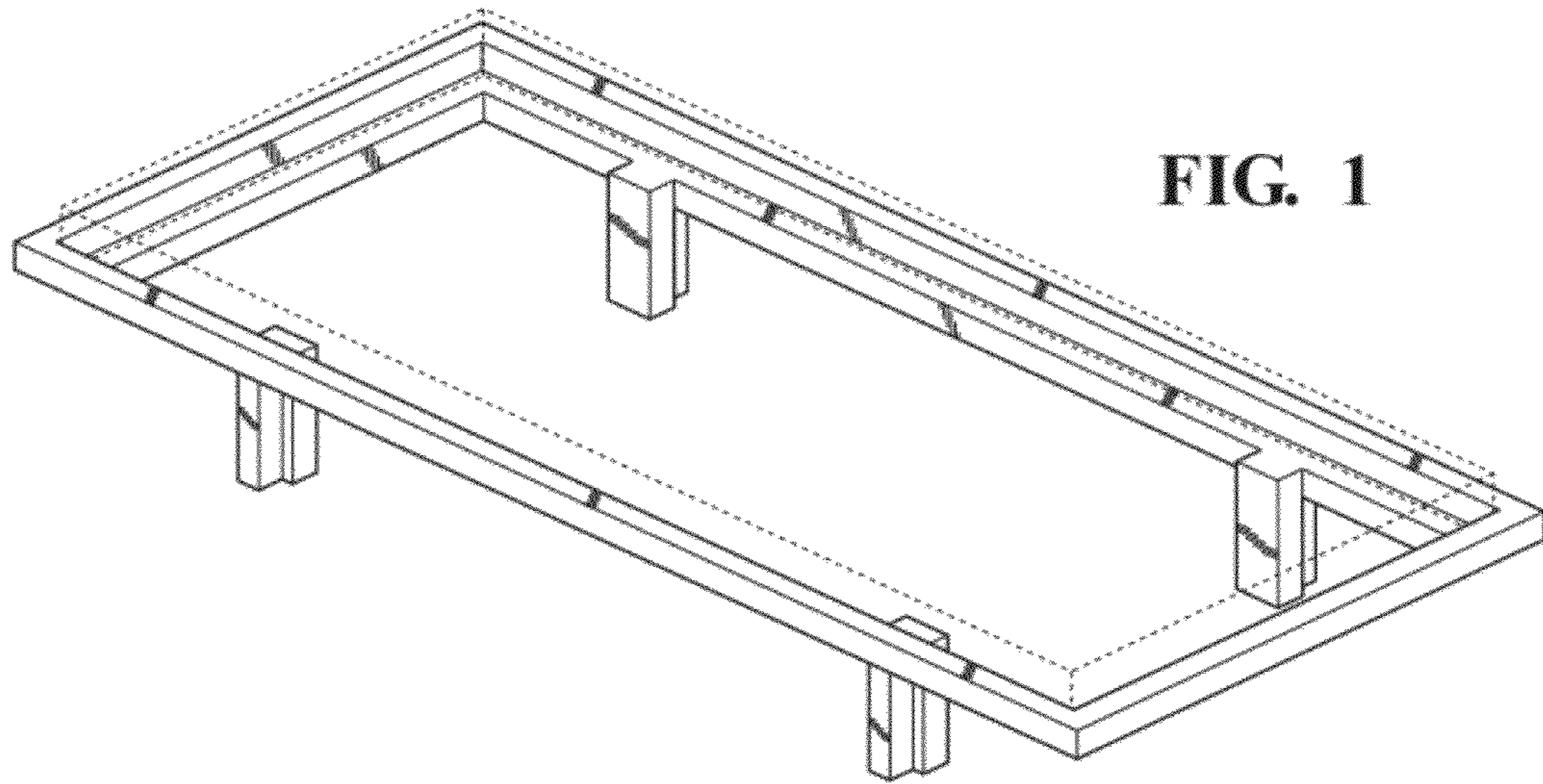


FIG. 1

FIG. 2

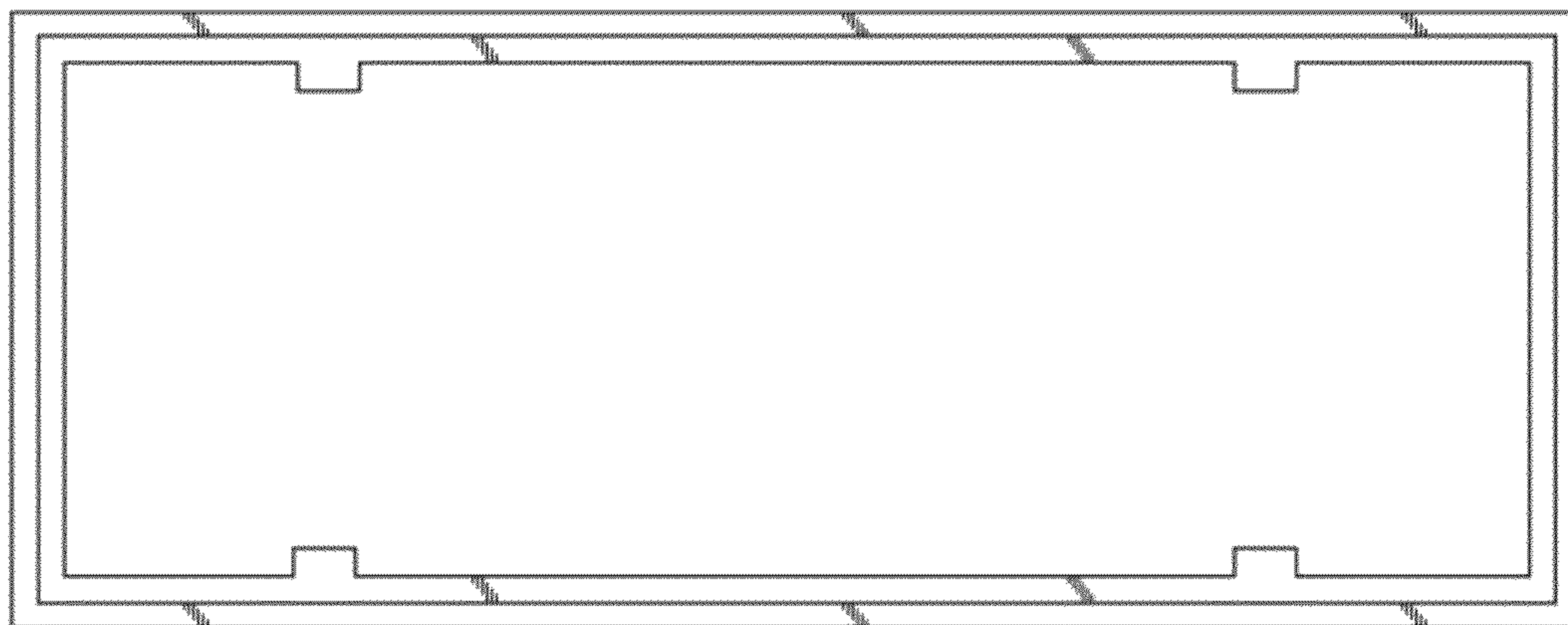
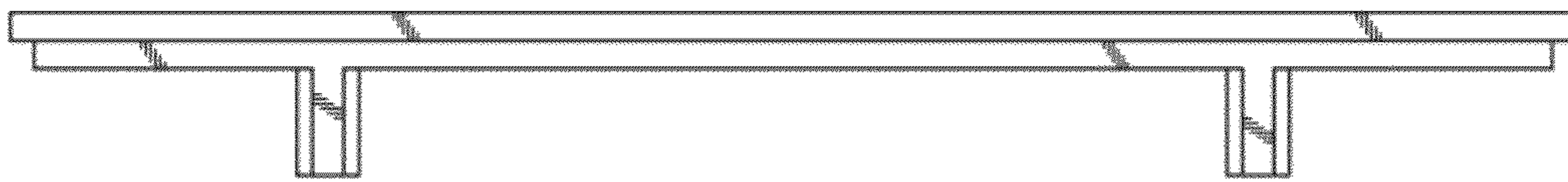


FIG. 3

FIG. 4

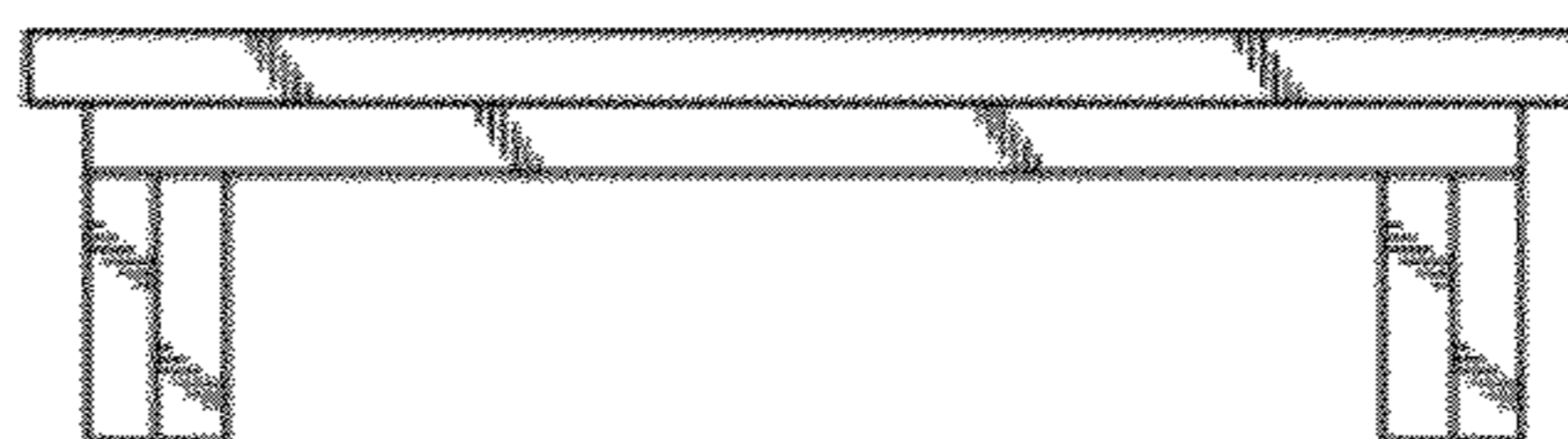


FIG. 5

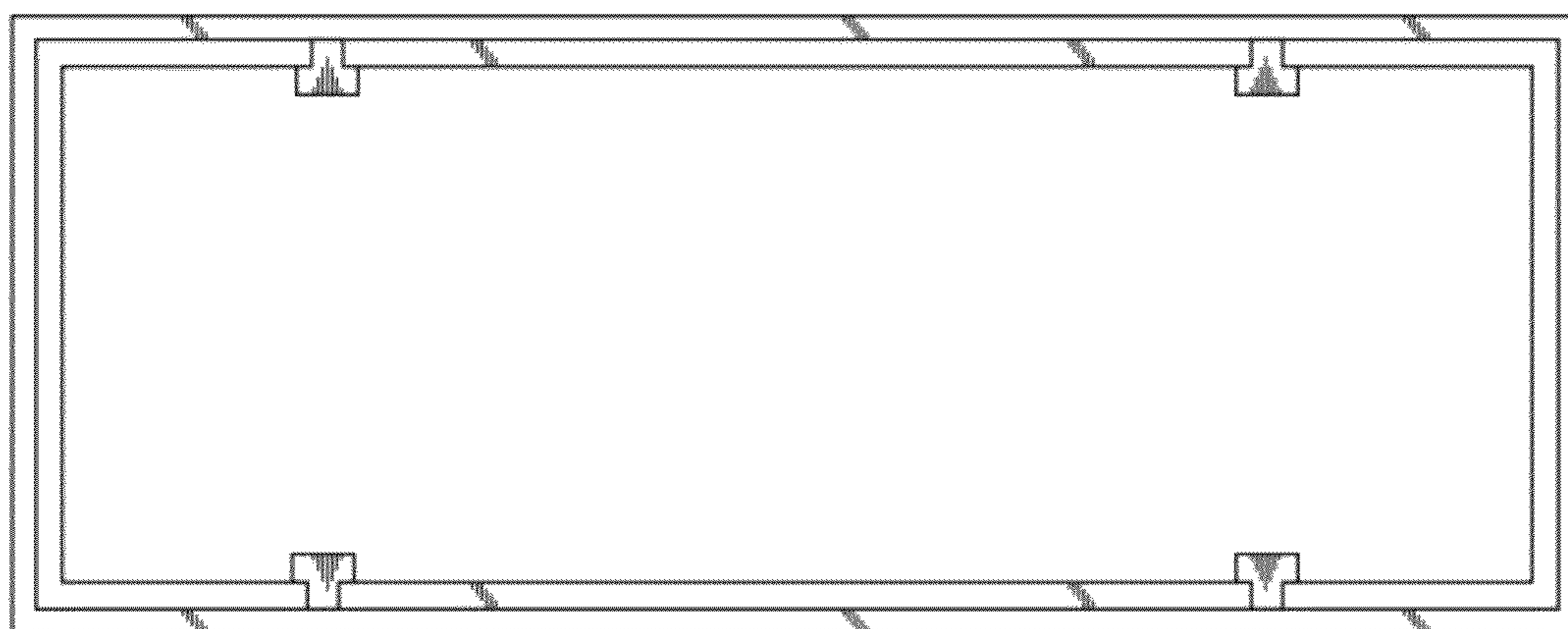
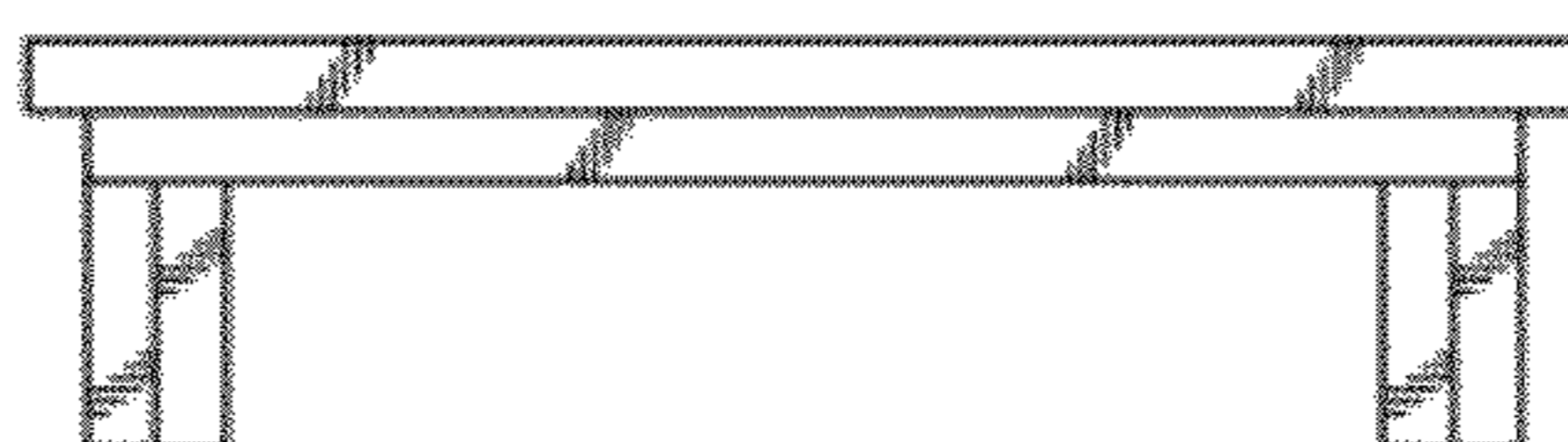


FIG. 6

FIG. 7

