



US00D661451S

(12) **United States Design Patent**
Armstrong, Sr. et al.

(10) **Patent No.:** **US D661,451 S**
(45) **Date of Patent:** **** Jun. 5, 2012**

(54) **MOBILE FISHERMAN CART**
(76) Inventors: **Eddie L. Armstrong, Sr.**, San Antonio, TX (US); **Mary L. Armstrong**, San Antonio, TX (US)

7,963,530 B1 * 6/2011 Garcia 280/30
D649,320 S * 11/2011 Renfrew et al. D34/12
2002/0070517 A1 * 6/2002 Ramsey 280/47.19
2011/0025005 A1 * 2/2011 Howell 280/47.24
* cited by examiner

(**) Term: **14 Years**

Primary Examiner — Cynthia Ramirez
(74) *Attorney, Agent, or Firm* — Paul R. Martin

(21) Appl. No.: **29/374,583**

(22) Filed: **Sep. 6, 2011**

(57) **CLAIM**
The ornamental design for a mobile fisherman cart, as shown and described.

(51) **LOC (9) Cl.** **12-02**

(52) **U.S. Cl.** **D34/17**

(58) **Field of Classification Search** D34/12-27;
280/47.33, 47.32, 47.26, 30, 47.19, 47.24,
280/47.25, 47.29, 654, 655, 655.1, 47.37,
280/38

DESCRIPTION

See application file for complete search history.

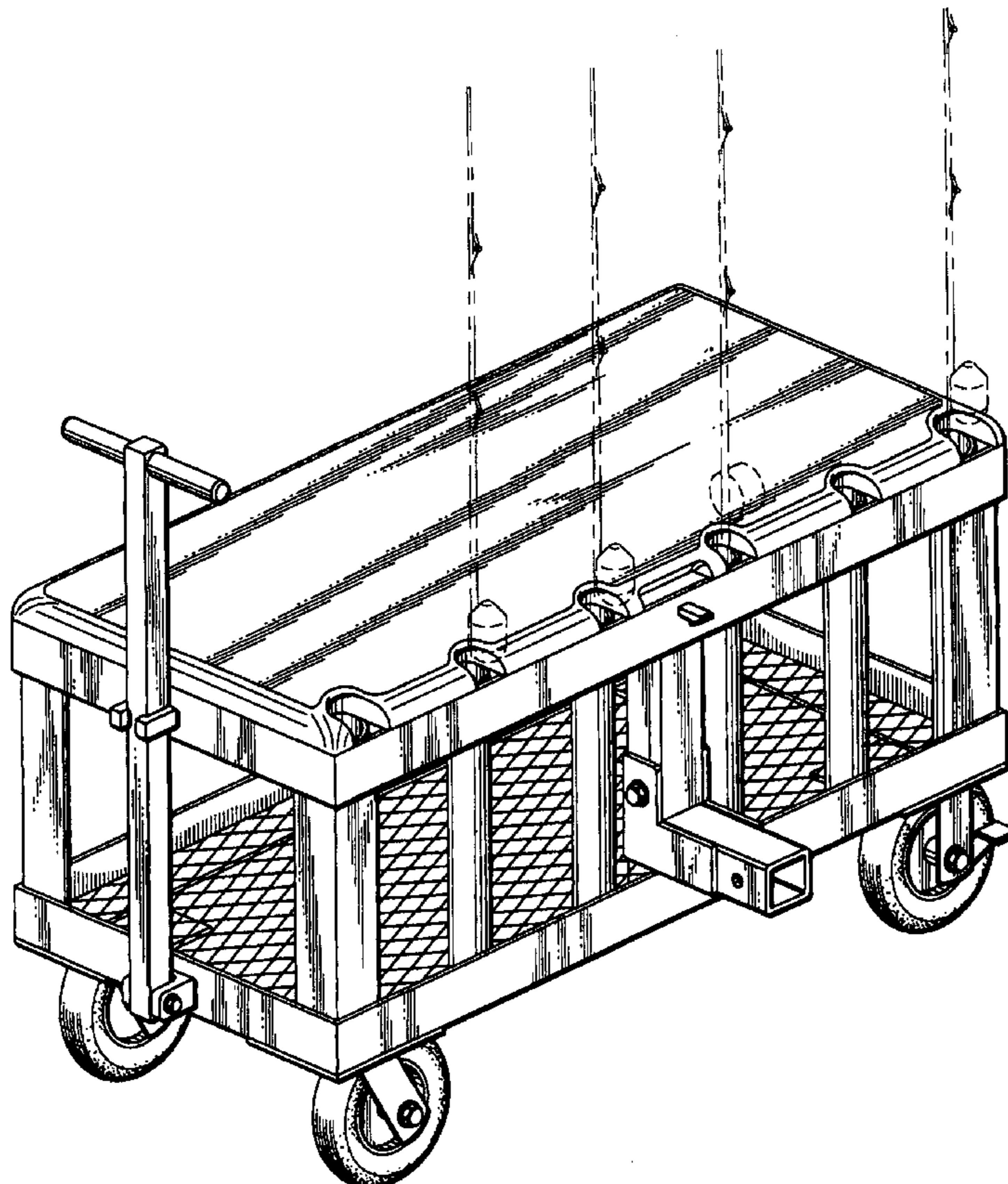
FIG. 1 is a perspective view from above and to the front of my new design for a mobile fisherman cart.
FIG. 2 is an elevational view of the rear of the cart shown in FIG. 1.
FIG. 3 is a left end elevational view thereof.
FIG. 4 is a right end elevational view thereof.
FIG. 5 is an elevational view of the front of the mobile fisherman cart of my new design.
FIG. 6 is a plan view of the top of the mobile fisherman cart of my new design; and,
FIG. 7 is a bottom plan view thereof.
The broken line elements in FIG. 1 depicting fishing rods and reels are environmental elements, and form no part of the claimed design.

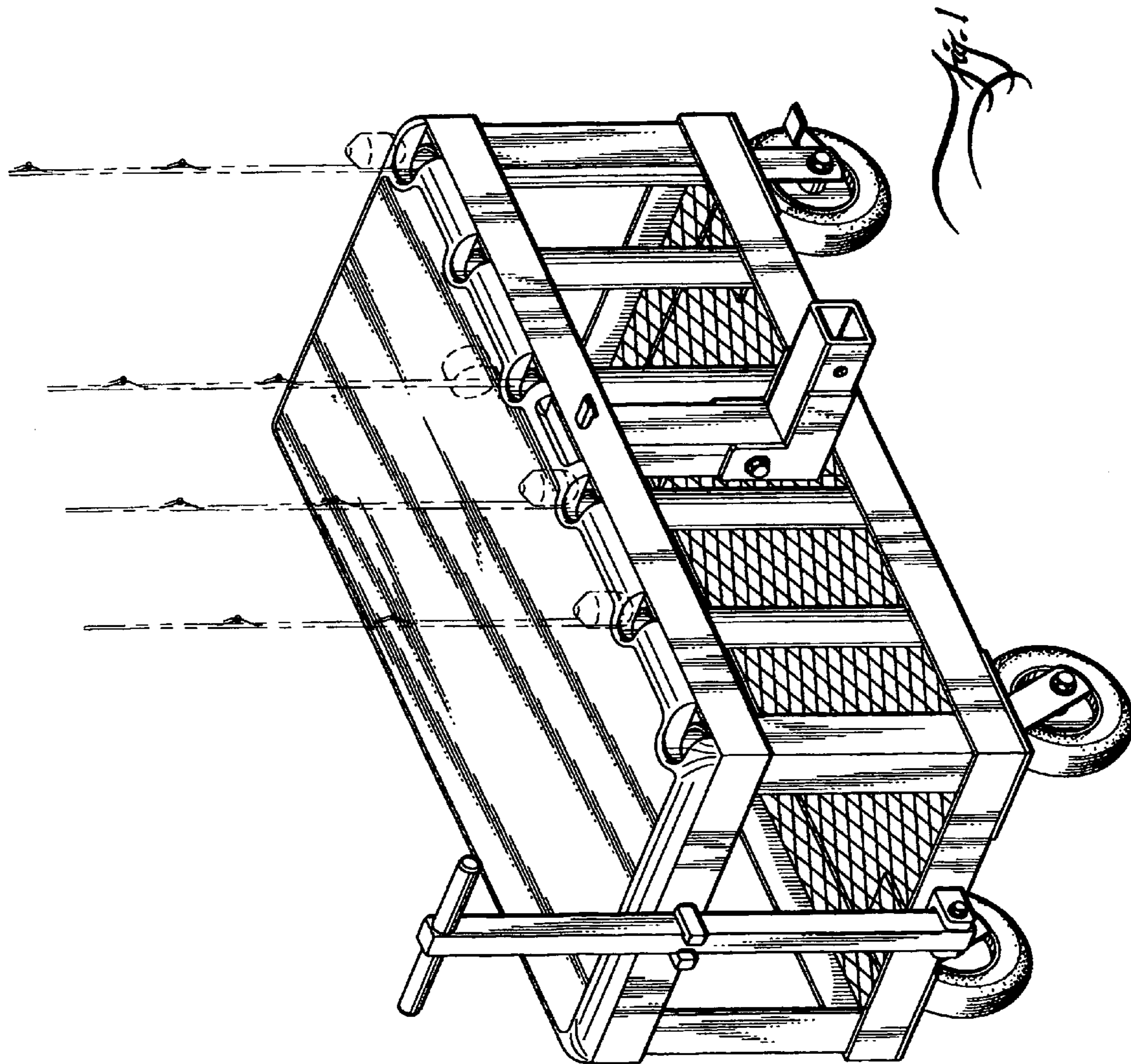
(56) **References Cited**

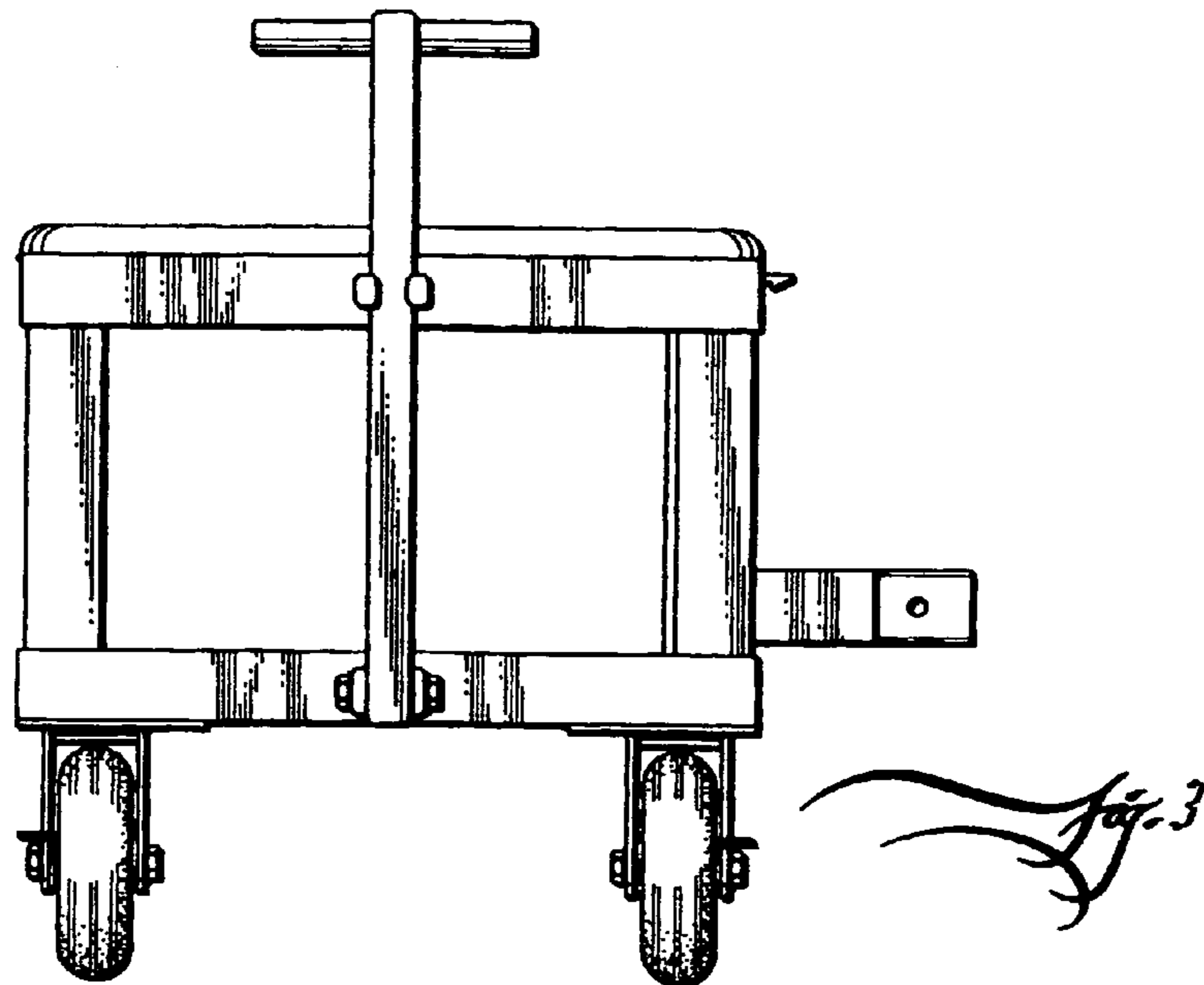
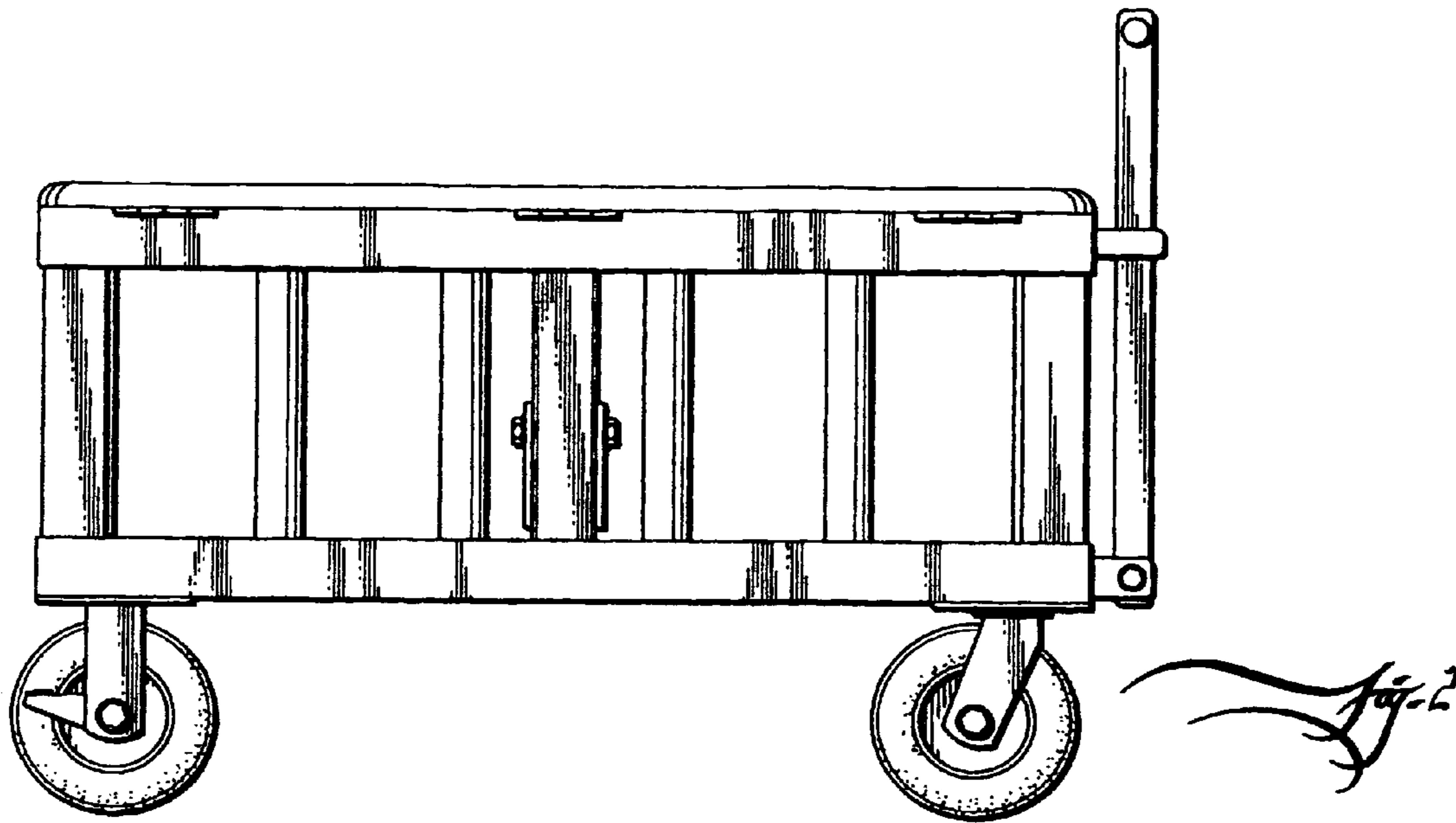
U.S. PATENT DOCUMENTS

4,729,574	A *	3/1988	Tipke	280/415.1
D307,209	S *	4/1990	Gallagher	D34/17
5,113,793	A *	5/1992	Leader et al.	119/453
5,159,777	A	11/1992	Gonzalez		
5,333,885	A	8/1994	Pullman		
D357,783	S *	4/1995	Jones	D34/26
D372,350	S *	7/1996	Olson	D34/26
5,611,561	A	3/1997	Dale, II		
6,082,757	A	7/2000	Lin		
7,097,182	B1 *	8/2006	Liu	280/42

1 Claim, 4 Drawing Sheets







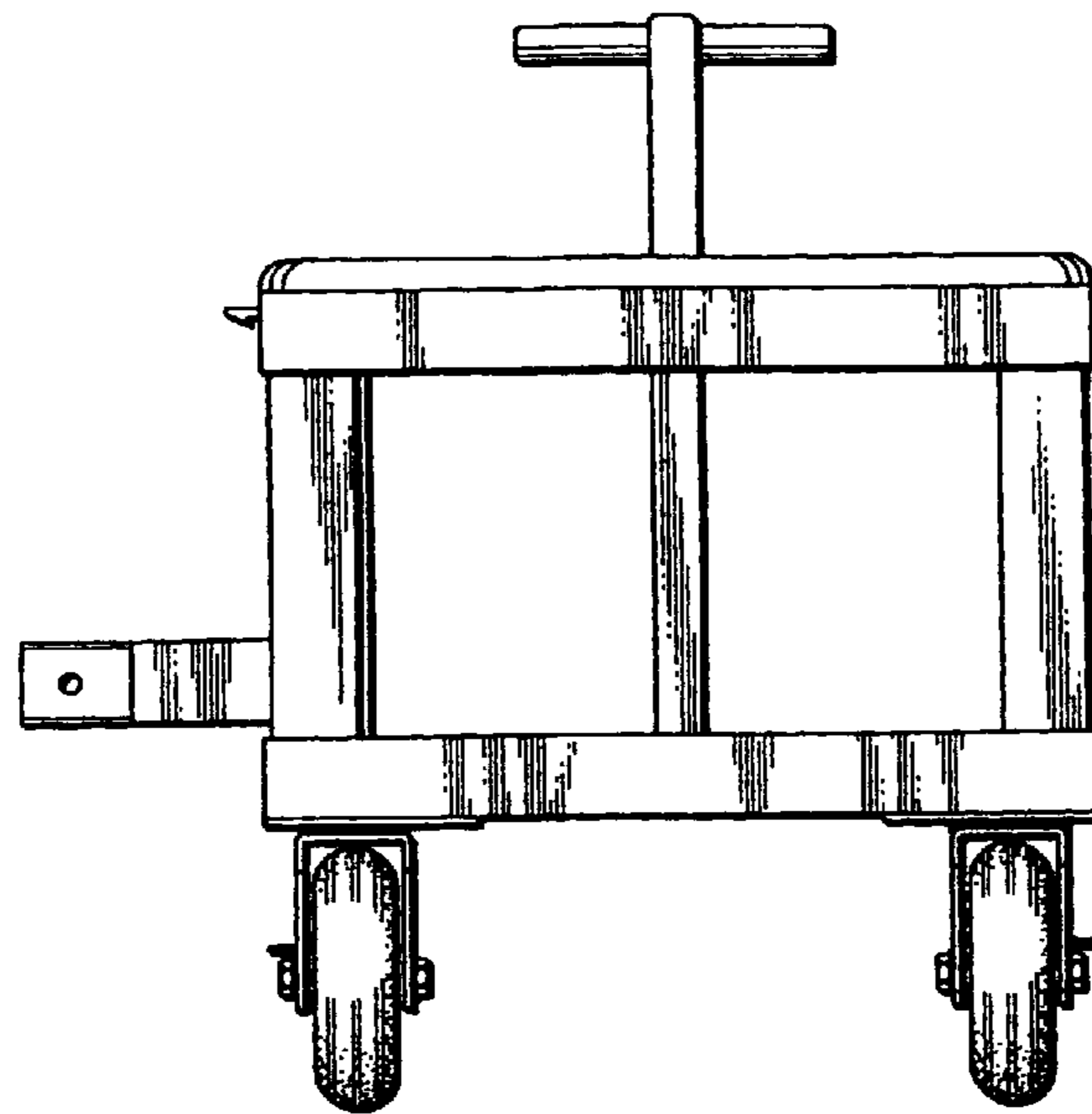


Fig. 4

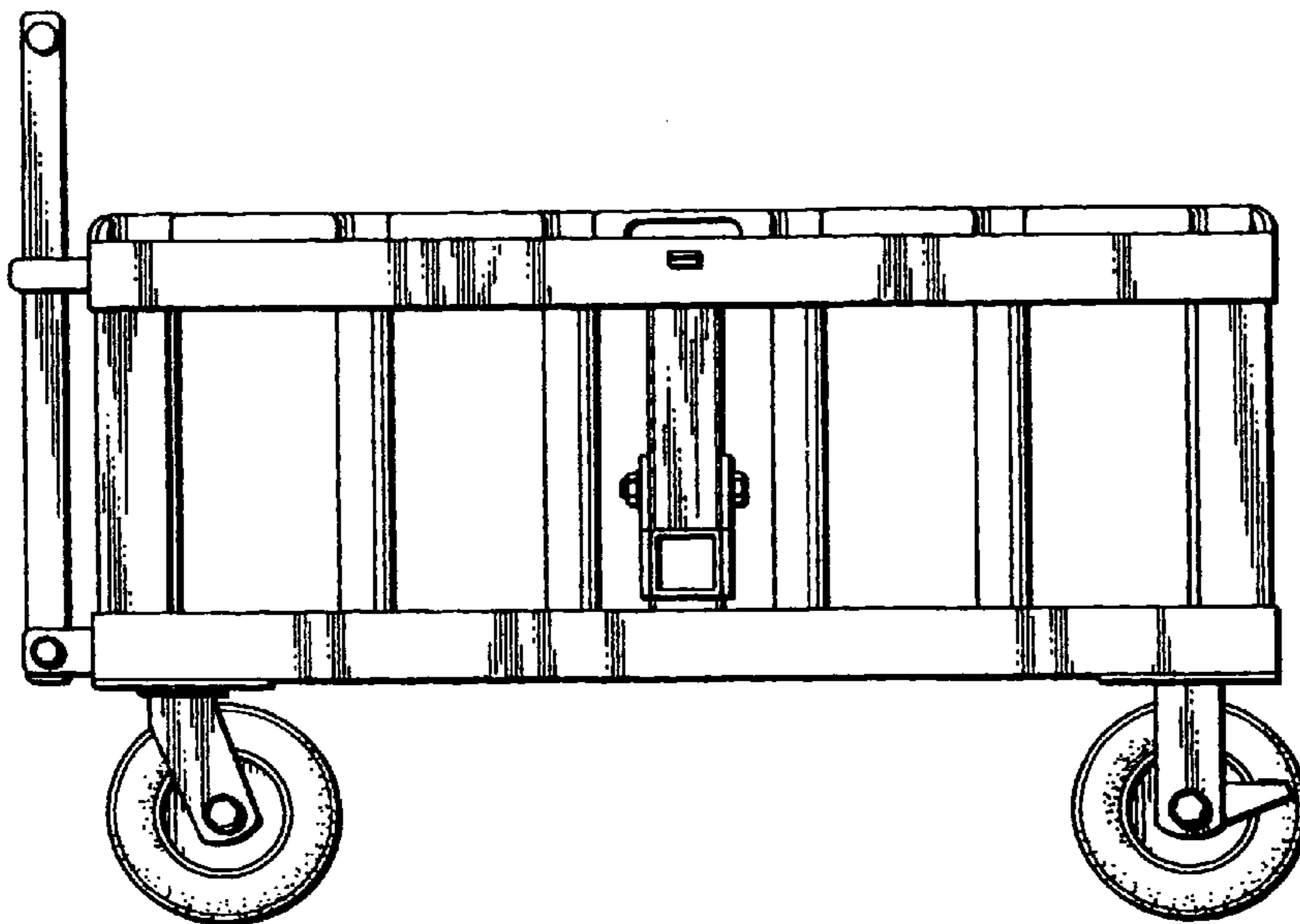


Fig. 5

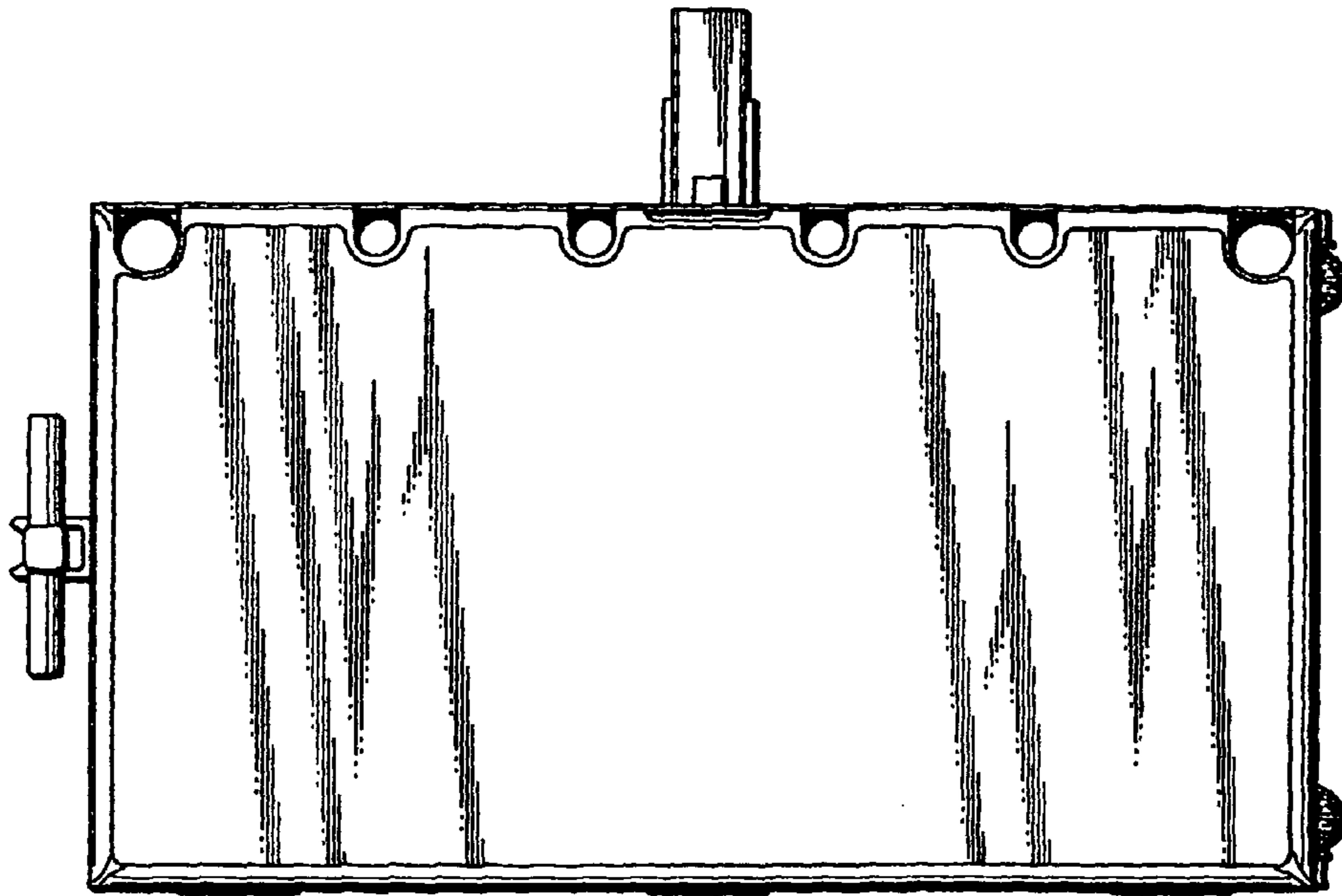


Fig. 6

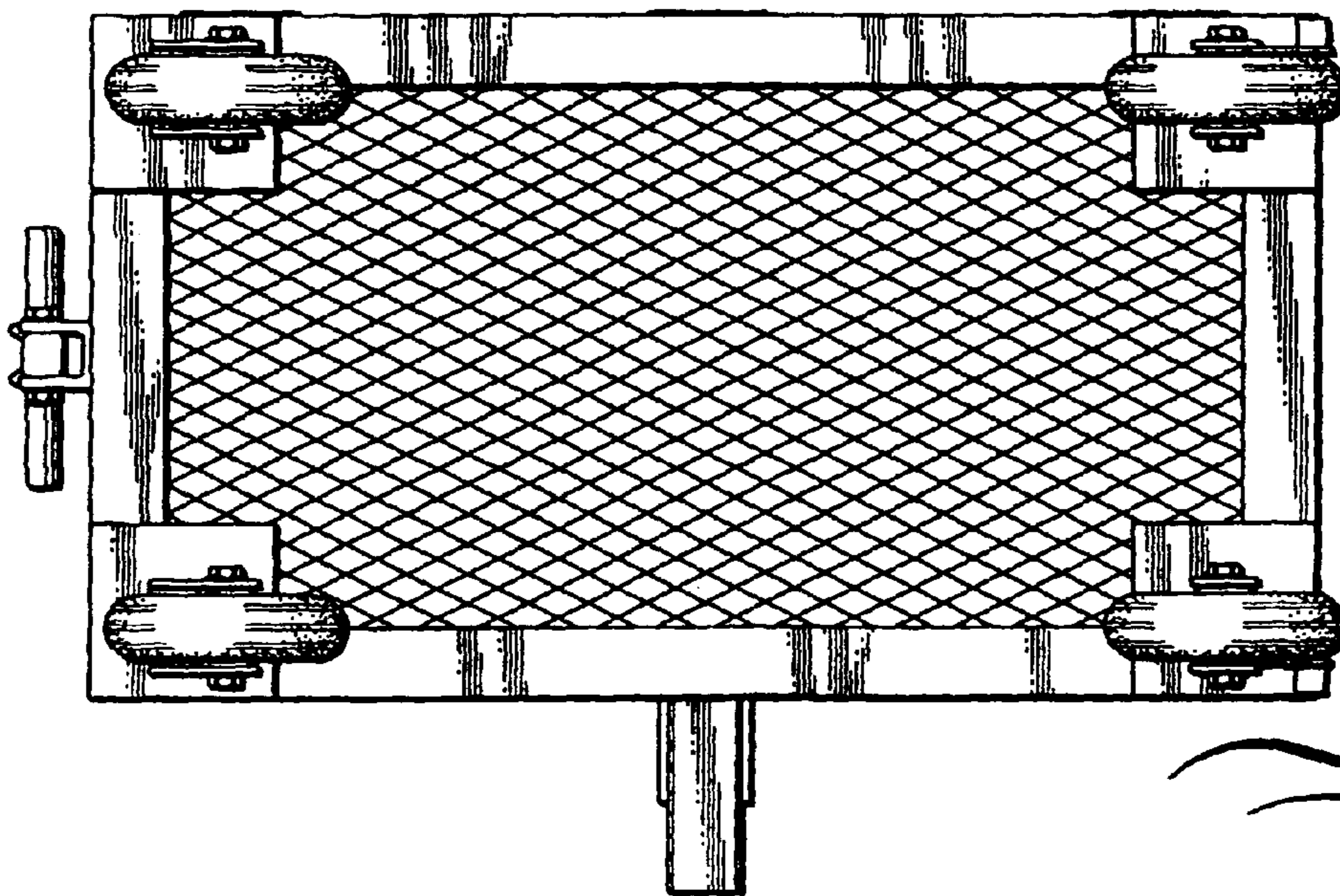


Fig. 7