

US00D661440S

(12) **United States Design Patent**  
**Lee et al.**

(10) **Patent No.:** **US D661,440 S**  
(45) **Date of Patent:** **\*\* Jun. 5, 2012**

(54) **VACUUM CLEANER**  
(75) Inventors: **Jong Hyub Lee**, Seoul (KR); **Deoksang Yun**, Kyunggi-do (KR); **Min Hyoug Boo**, Seoul (KR)  
(73) Assignee: **Samsung Electronics Co., Ltd**, Suwon-si (KR)

D548,903	S	*	8/2007	Chun et al.	.....	D32/21
D556,961	S	*	12/2007	Swyst et al.	.....	D32/21
D586,959	S	*	2/2009	Geringer et al.	.....	D32/21
D596,815	S	*	7/2009	Baek	.....	D32/21
7,861,366	B2	*	1/2011	Hahm et al.	.....	15/319
2007/0244610	A1	*	10/2007	Ozick et al.	.....	701/23
2008/0235897	A1	*	10/2008	Kim et al.	.....	15/319
2008/0282494	A1	*	11/2008	Won et al.	.....	15/319
2011/0010873	A1	*	1/2011	Kim et al.	.....	15/4

\* cited by examiner

(\*\*) Term: **14 Years**

*Primary Examiner* — Ruth McInroy

(21) Appl. No.: **29/383,601**

(74) *Attorney, Agent, or Firm* — Ladas & Parry LLP

(22) Filed: **Jan. 20, 2011**

(57) **CLAIM**

(51) **LOC (9) Cl.** ..... **15-05**

We claim the ornamental design for a vacuum cleaner, as shown and described.

(52) **U.S. Cl.** ..... **D32/21**

(58) **Field of Classification Search** ..... D32/21,  
D32/31; 701/25, 23, 200; 15/319, 307, 347,  
15/4, 340.11, 46; 901/1, 46; 700/25; 318/568.12,  
318/568.16

**DESCRIPTION**

See application file for complete search history.

FIG. 1 is a top, front and right side perspective view of a vacuum cleaner showing our new design;  
FIG. 2 is a front elevation view thereof;  
FIG. 3 is a rear elevation view thereof;  
FIG. 4 is a left side elevation view thereof;  
FIG. 5 is a right side elevation view thereof; and,  
FIG. 6 is a top plan view thereof.

(56) **References Cited**

U.S. PATENT DOCUMENTS

D527,854	S	*	9/2006	Marzynski	.....	D32/21
D548,902	S	*	8/2007	Chun et al.	.....	D32/21

**1 Claim, 4 Drawing Sheets**

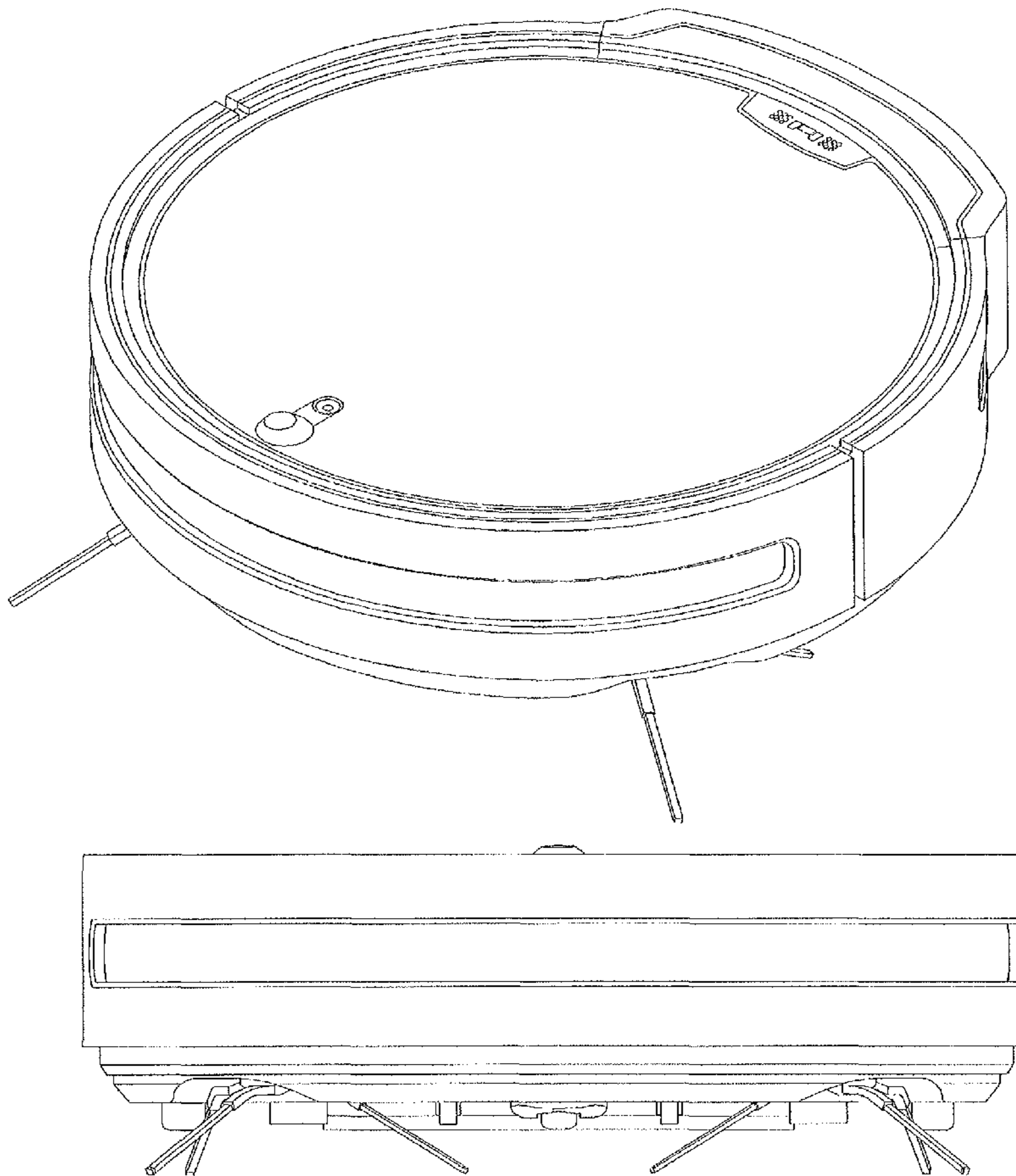


FIG. 1

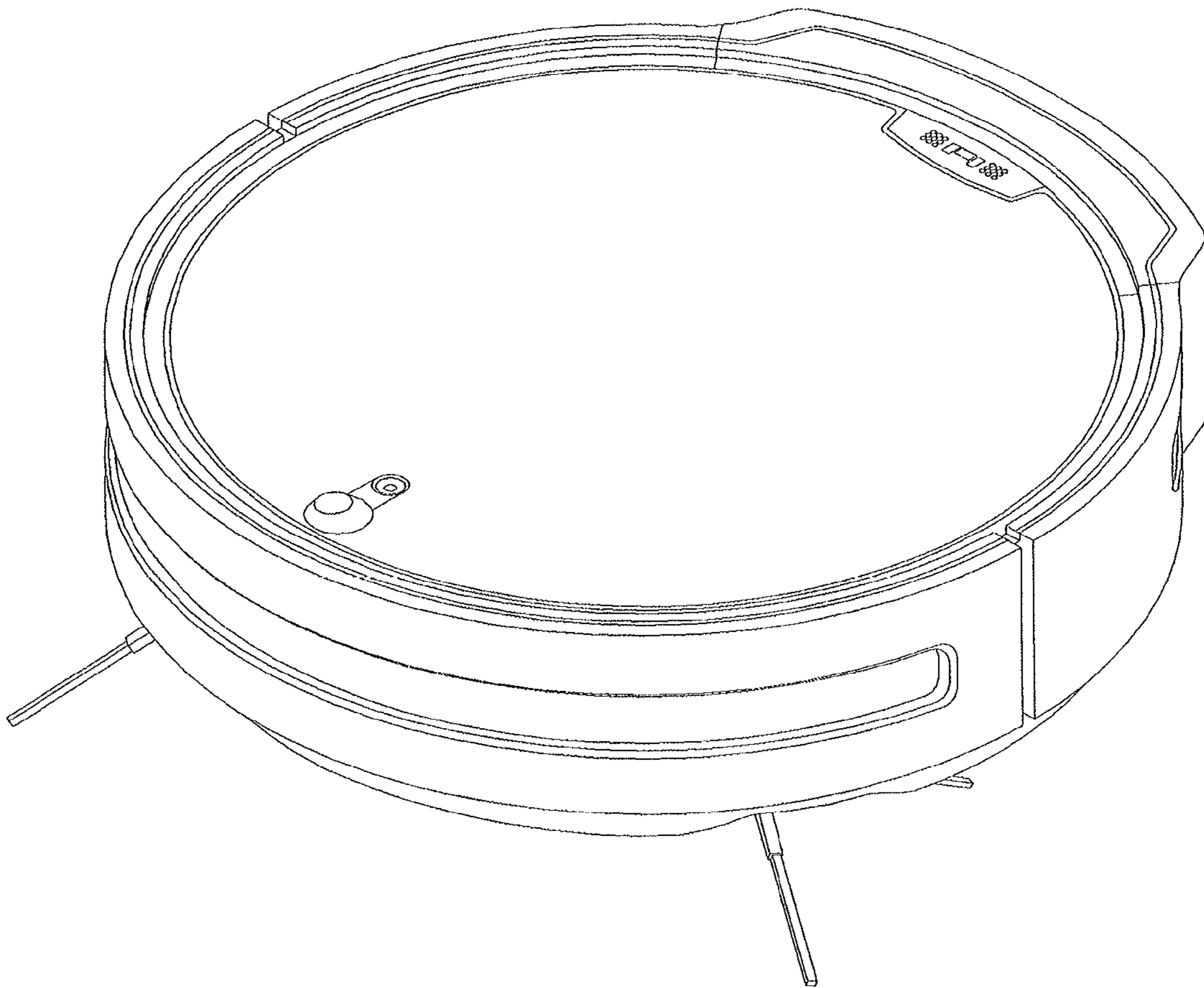


FIG. 2

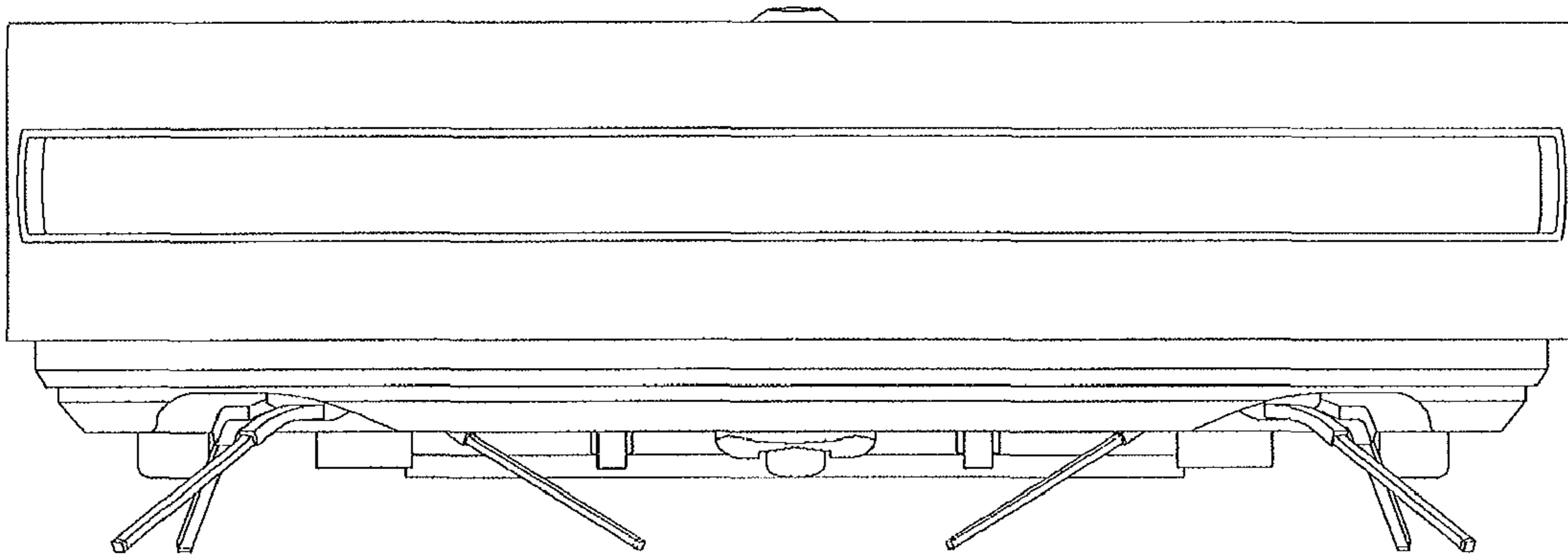


FIG. 3

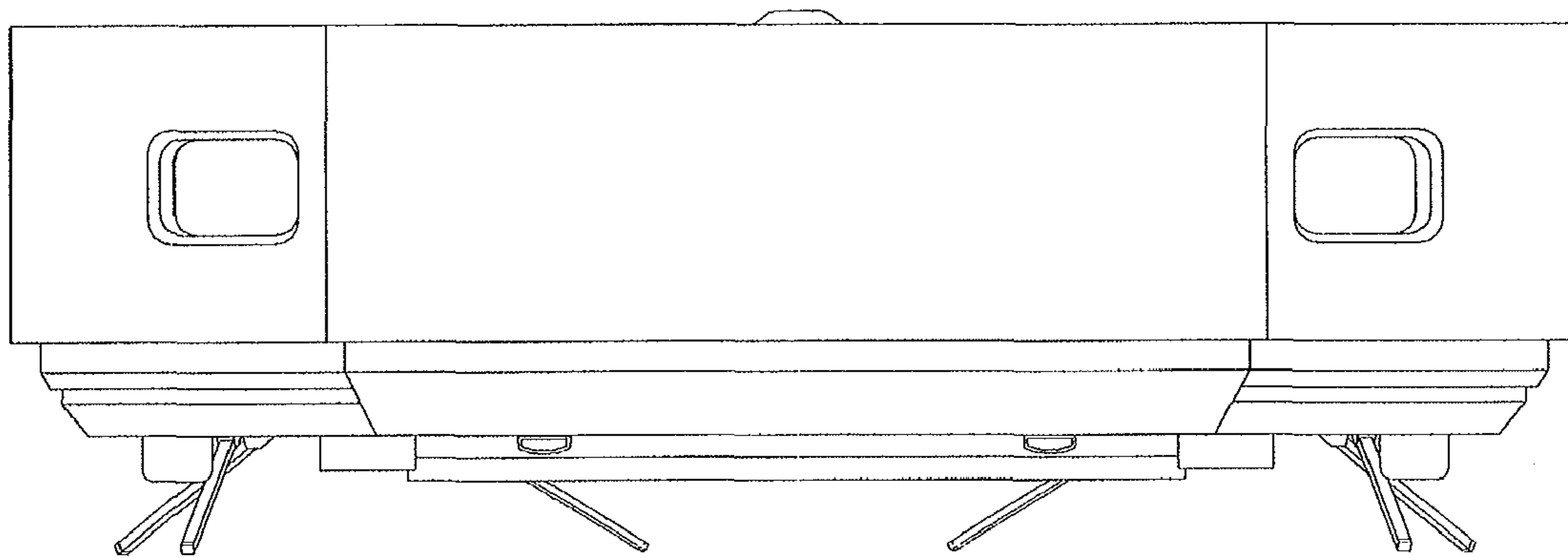


FIG. 4

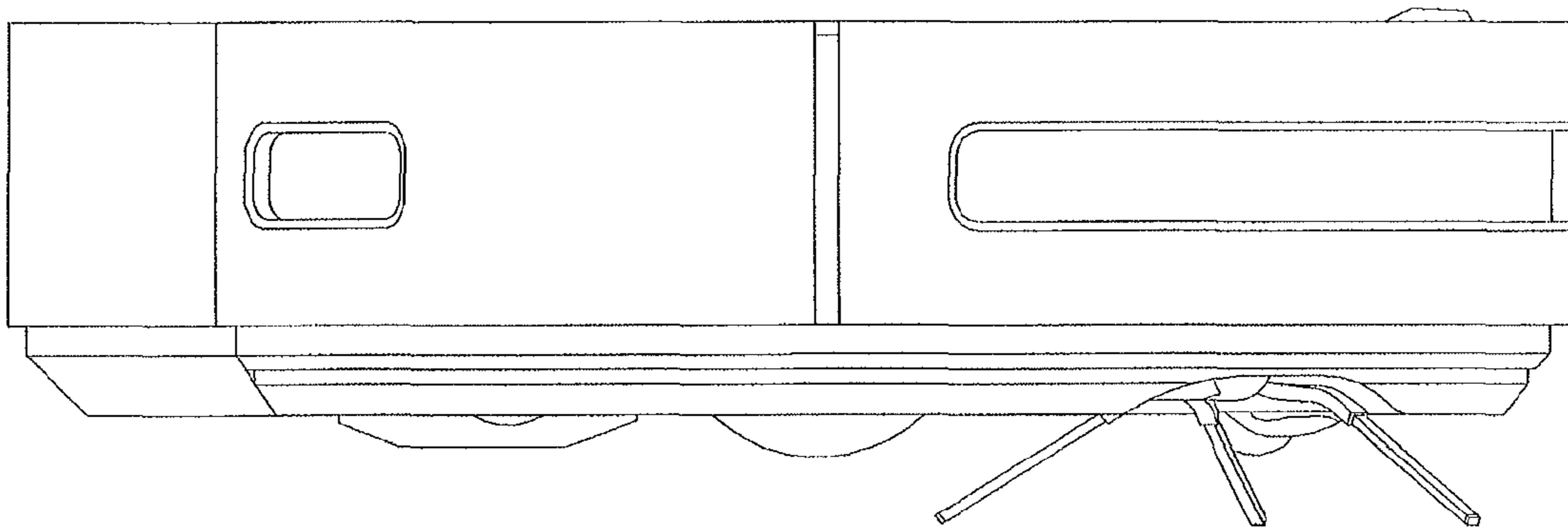


FIG. 5

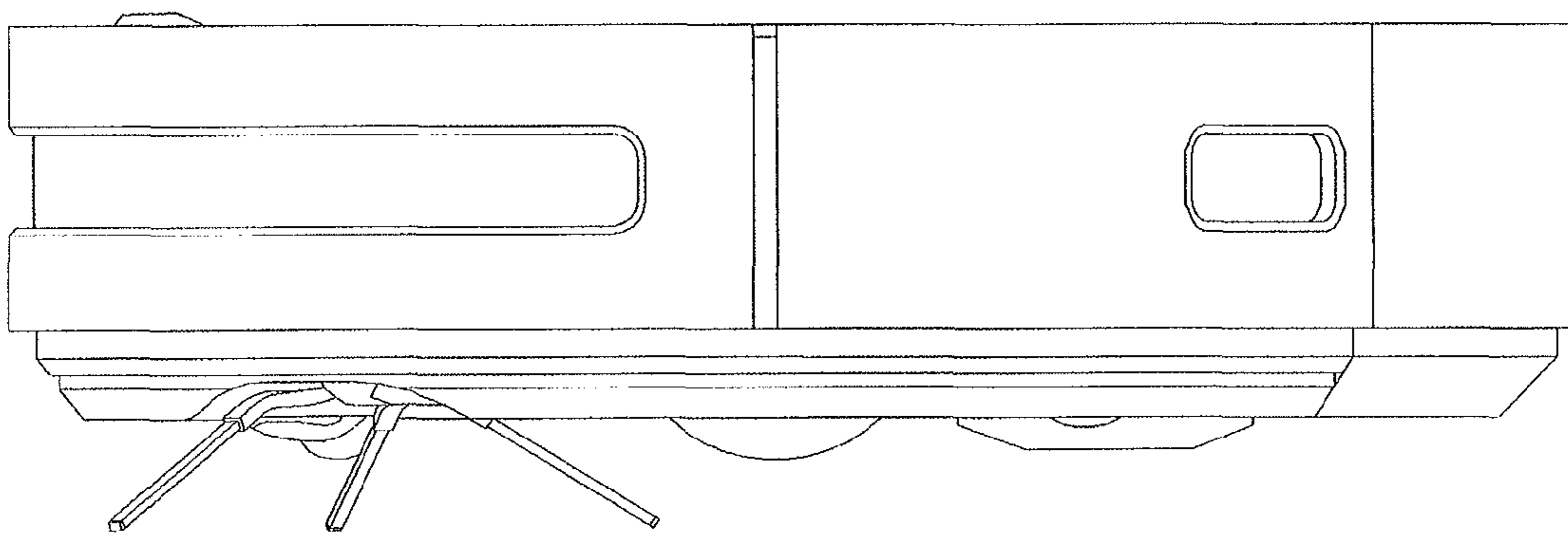


FIG. 6

