



US00D661439S

(12) **United States Design Patent**  
**Lee et al.**

(10) **Patent No.:** **US D661,439 S**  
(45) **Date of Patent:** **\*\* Jun. 5, 2012**

(54) **VACUUM CLEANER**

(75) Inventors: **Jong Hyub Lee**, Seoul (KR); **Deoksang Yun**, Kyunggi-do (KR); **Min Hyoug Boo**, Seoul (KR)

(73) Assignee: **Saumsung Electronics Co., Ltd.**, Suwon-si (KR)

(\*\*) Term: **14 Years**

(21) Appl. No.: **29/383,599**

(22) Filed: **Jan. 20, 2011**

(51) **LOC (9) Cl.** ..... **15-05**

(52) **U.S. Cl.** ..... **D32/21**

(58) **Field of Classification Search** ..... D32/21,  
D32/31; 701/25, 23, 200; 15/319, 307, 347,  
15/4, 340.11, 46; 901/1, 46; 700/25; 318/568.12,  
318/568.16

See application file for complete search history.

(56) **References Cited**

**U.S. PATENT DOCUMENTS**

D527,854 S \* 9/2006 Marzynski ..... D32/21  
D548,902 S \* 8/2007 Chun et al. .... D32/21

D548,903 S \* 8/2007 Chun et al. .... D32/21  
D556,961 S \* 12/2007 Swyst et al. .... D32/21  
D586,959 S \* 2/2009 Geringer et al. .... D32/21  
D596,815 S \* 7/2009 Baek ..... D32/21  
7,861,366 B2 \* 1/2011 Hahm et al. .... 15/319  
2007/0244610 A1 \* 10/2007 Ozick et al. .... 701/23  
2008/0235897 A1 \* 10/2008 Kim et al. .... 15/319  
2008/0282494 A1 \* 11/2008 Won et al. .... 15/319  
2011/0010873 A1 \* 1/2011 Kim et al. .... 15/4

\* cited by examiner

*Primary Examiner* — Ruth McInroy

(74) *Attorney, Agent, or Firm* — Ladas & Parry LLP

(57) **CLAIM**

We claim the ornamental design for a vacuum cleaner, as shown and described.

**DESCRIPTION**

FIG. 1 is a top, front and right side perspective view of a vacuum cleaner showing our new design; FIG. 2 is a front elevation view thereof; FIG. 3 is a rear elevation view thereof; FIG. 4 is a left side elevation view thereof; FIG. 5 is a right side elevation view thereof; and, FIG. 6 is a top plan view thereof.

**1 Claim, 4 Drawing Sheets**

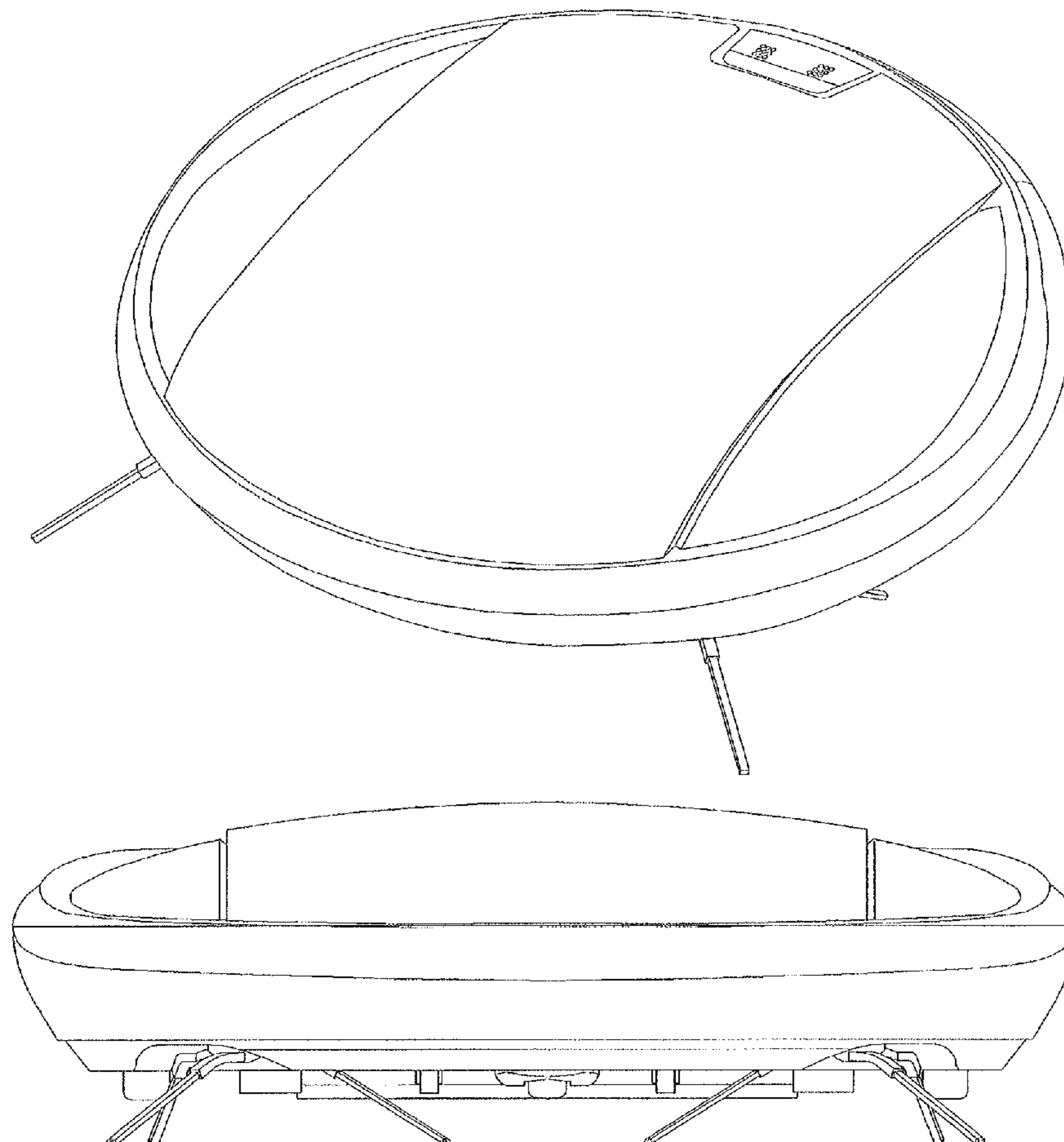


FIG. 1

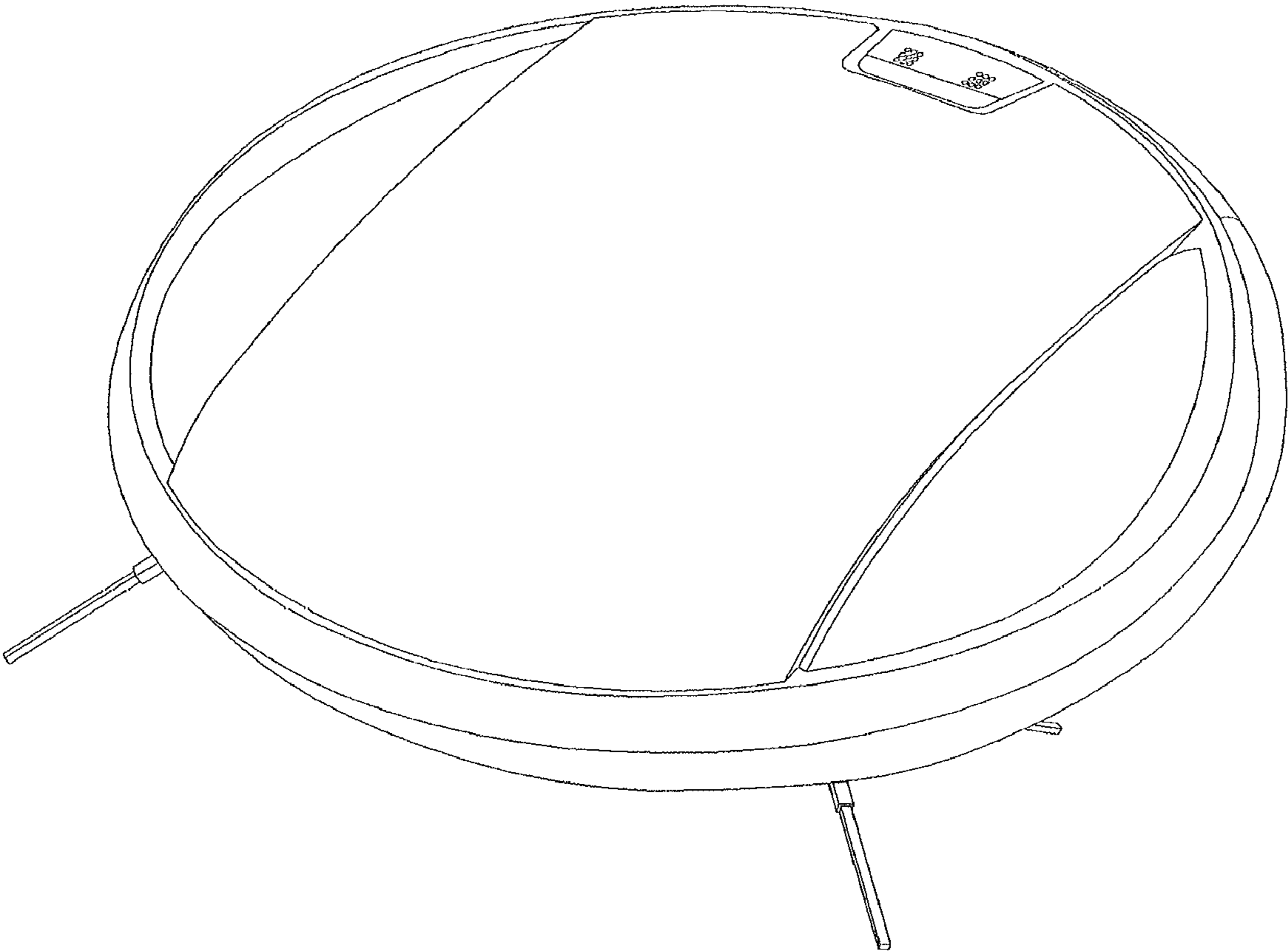


FIG. 2

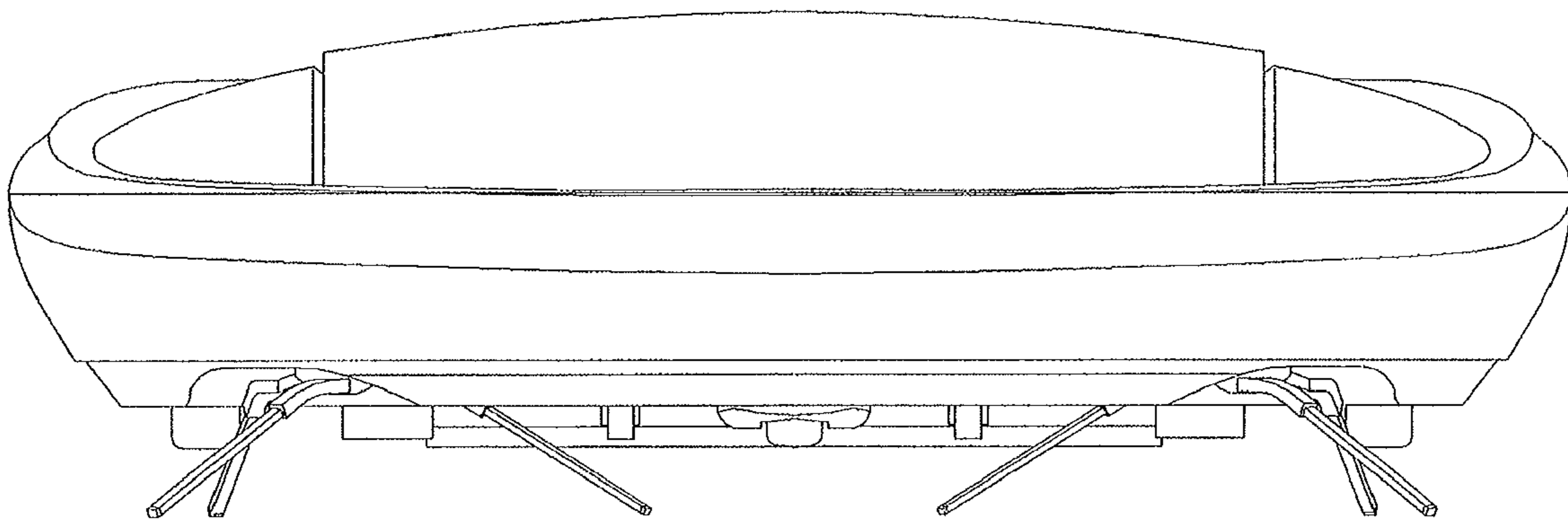


FIG. 3

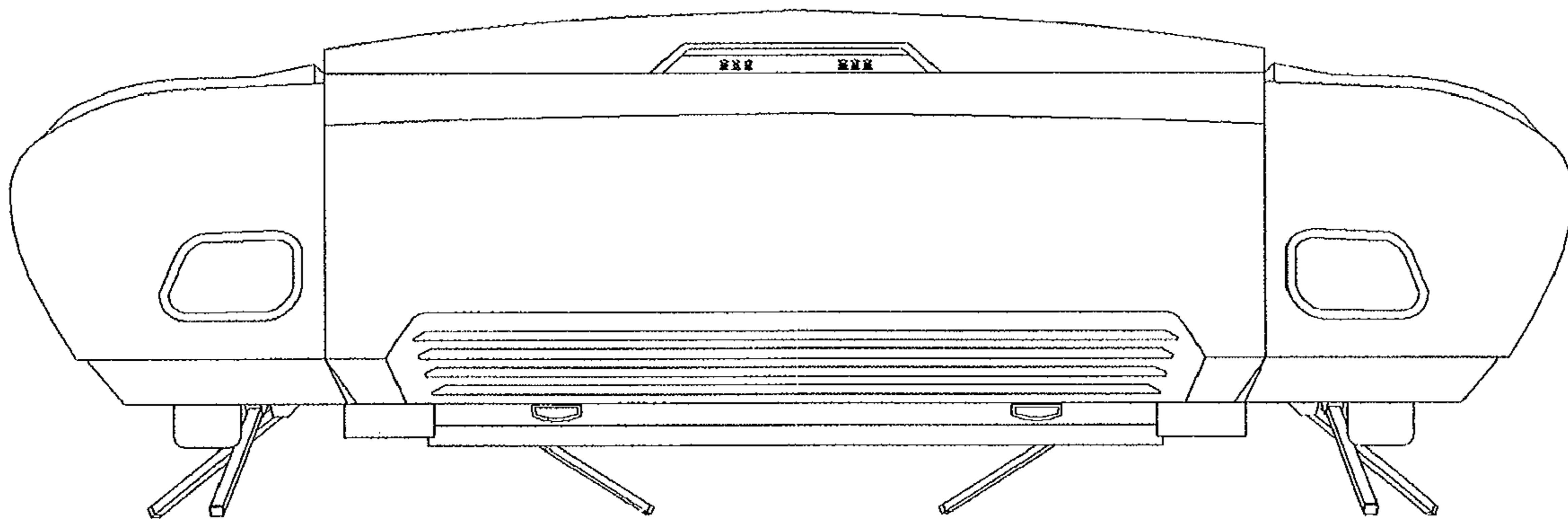


FIG. 4

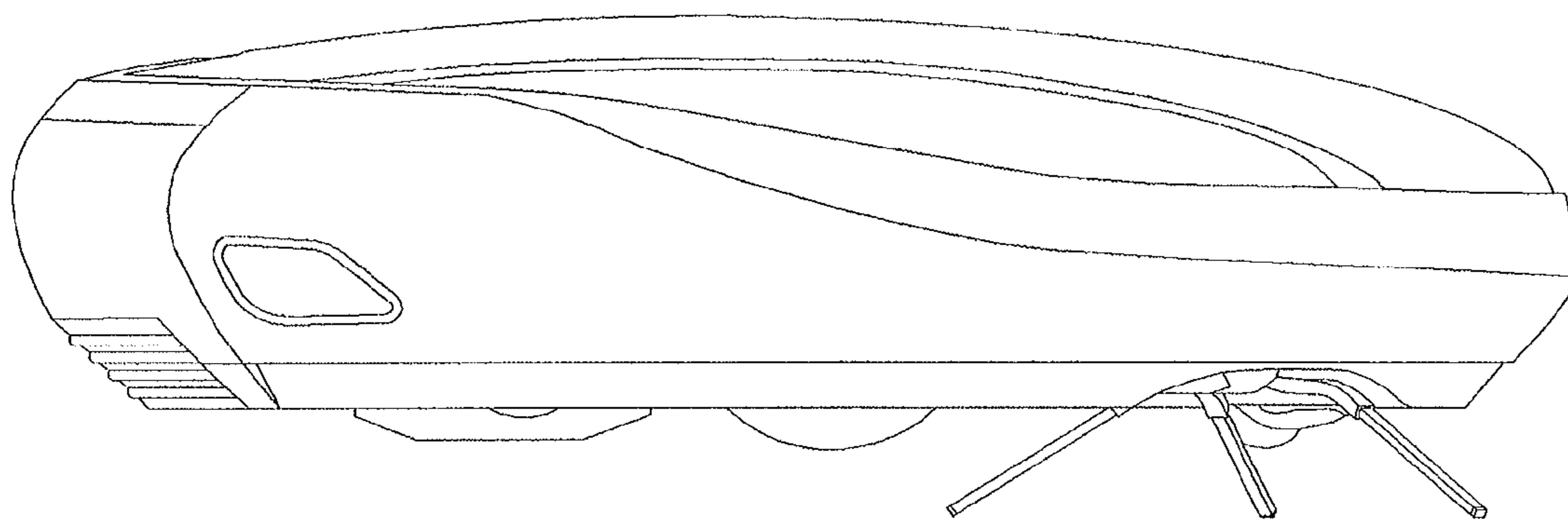


FIG. 5

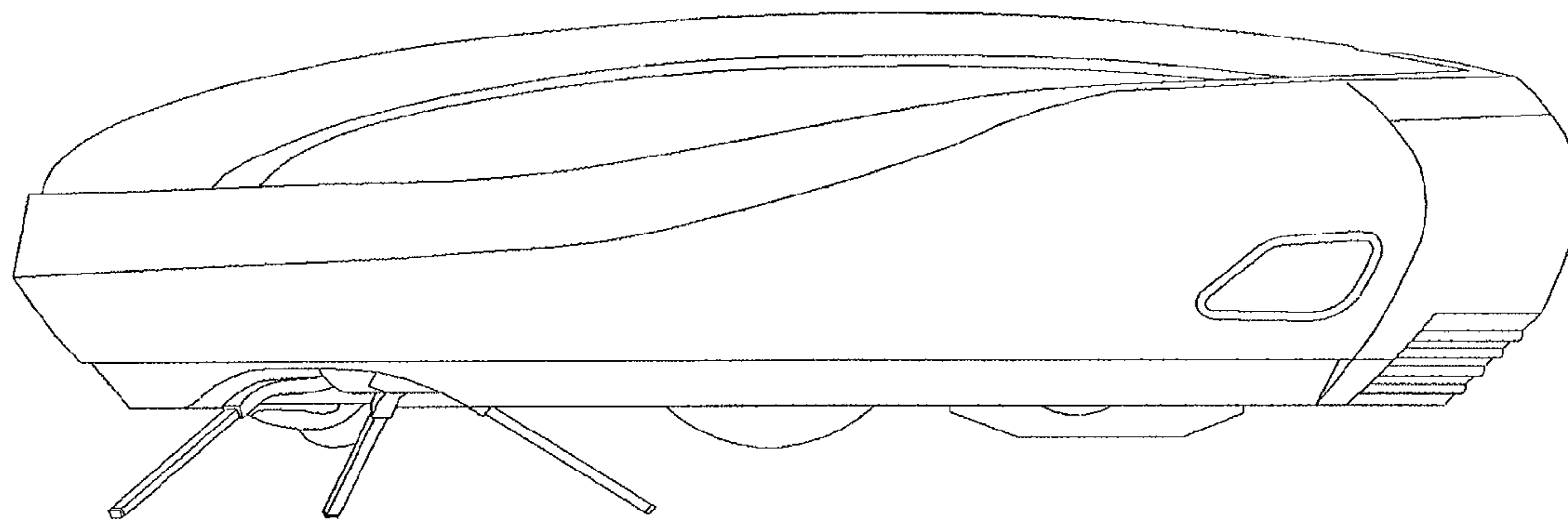
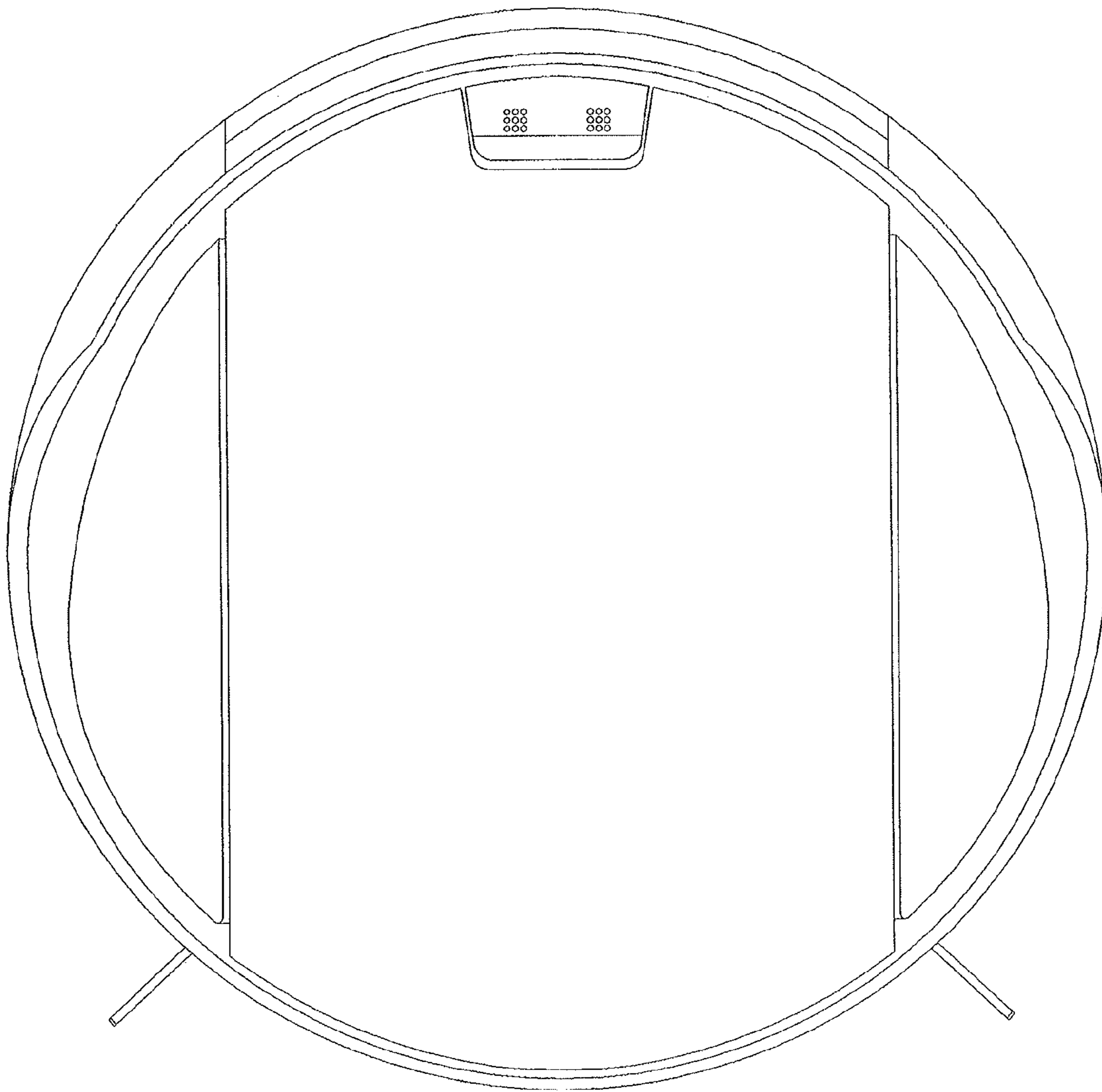


FIG. 6



UNITED STATES PATENT AND TRADEMARK OFFICE  
**CERTIFICATE OF CORRECTION**

PATENT NO. : D661,439 S  
APPLICATION NO. : 29/383599  
DATED : June 5, 2012  
INVENTOR(S) : Jong Hyub Lee et al.

Page 1 of 1

It is certified that error appears in the above-identified patent and that said Letters Patent is hereby corrected as shown below:

Title page: (73) Assignee: "Saumsung" should read --Samsung--.

Signed and Sealed this  
Twelfth Day of March, 2013



Teresa Stanek Rea  
*Acting Director of the United States Patent and Trademark Office*