



US00D661436S

(12) **United States Design Patent**  
**Haaf et al.**

(10) **Patent No.:** **US D661,436 S**  
(45) **Date of Patent:** **\*\* Jun. 5, 2012**

(54) **COMBINED CAT SCRATCHER AND BED**

(75) Inventors: **David Haaf**, San Rafael, CA (US); **Sara Paculdo**, San Francisco, CA (US)

(73) Assignee: **Worldwise, Inc.**, San Rafael, CA (US)

(\*\*) Term: **14 Years**

(21) Appl. No.: **29/391,377**

(22) Filed: **May 6, 2011**

(51) **LOC (9) Cl.** ..... **30-99**

(52) **U.S. Cl.** ..... **D30/160; D30/118**

(58) **Field of Classification Search** ..... D30/118,  
D30/158, 160; 119/702, 706-711, 28.5  
See application file for complete search history.

(56) **References Cited**

**U.S. PATENT DOCUMENTS**

D406,678 S *	3/1999	Rittenhouse	.....	D30/118
D561,952 S *	2/2008	Lamstein et al.	.....	D30/118
D589,657 S *	3/2009	Lamstein	.....	D30/118
D644,795 S *	9/2011	Haaf	.....	D30/160
D644,796 S *	9/2011	Haaf	.....	D30/160
D651,371 S *	12/2011	Seliskar et al.	.....	D30/160
D652,179 S *	1/2012	Haaf	.....	D30/160
2010/0077961 A1 *	4/2010	Lipscomb et al.	.....	119/28.5

\* cited by examiner

*Primary Examiner* — Cathy A MacCormac

(74) *Attorney, Agent, or Firm* — Bay Area Technology Law Group PC

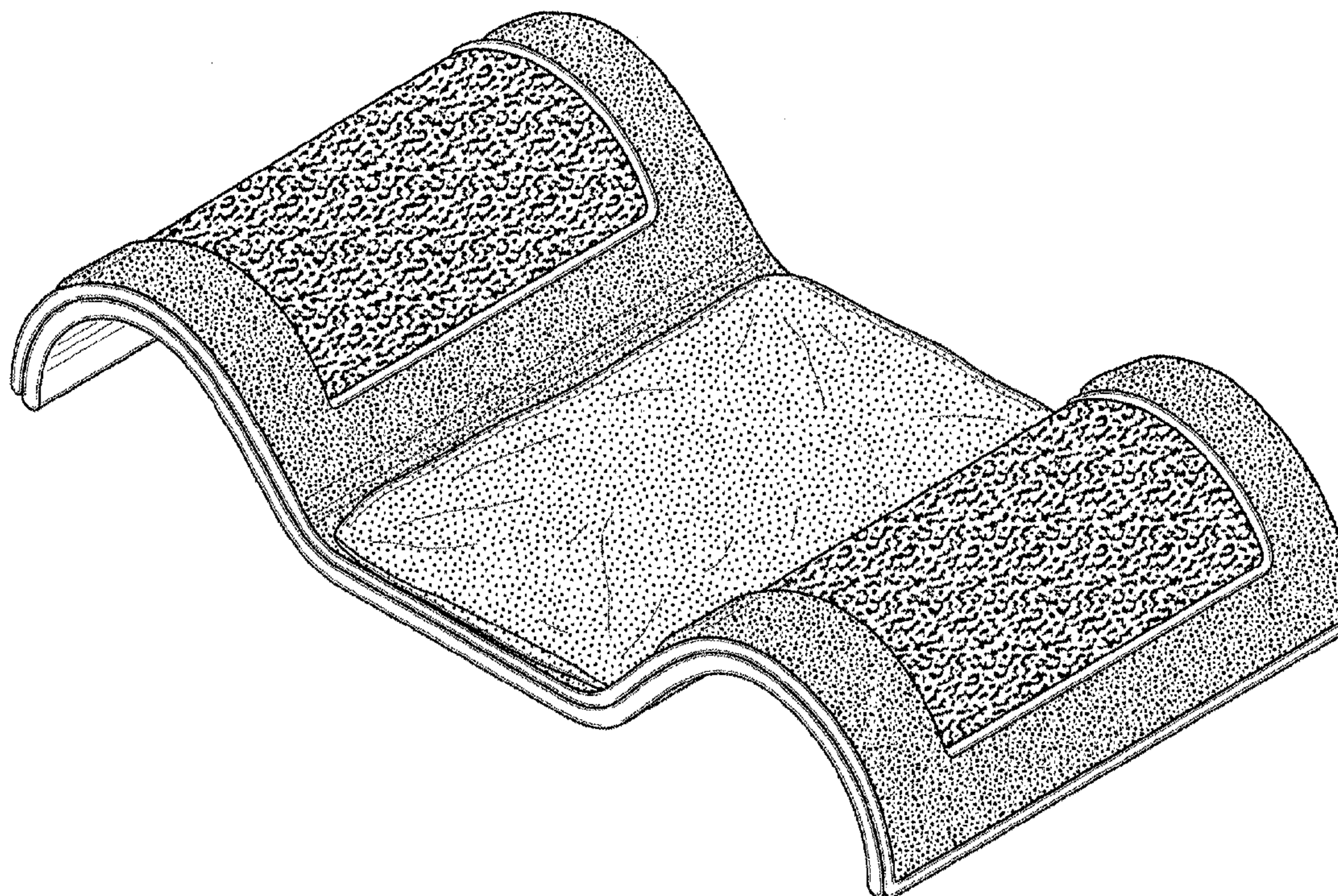
(57) **CLAIM**

The ornamental design for a combined cat scratcher and bed, as shown and described.

**DESCRIPTION**

FIG. 1 is a perspective view of a combined cat scratcher and bed showing our new design with pad in place;  
 FIG. 2 is a perspective view of a combined cat scratcher and bed showing our new design with pad removed;  
 FIG. 3 is a right side view of FIG. 2;  
 FIG. 4 is a left side view of FIG. 2;  
 FIG. 5 is a front view of FIG. 2;  
 FIG. 6 is a rear view of FIG. 2;  
 FIG. 7 is a top plan view of FIG. 2;  
 FIG. 8 is a bottom plan view of FIG. 2;  
 FIG. 9 is a perspective view of the pad of the present invention;  
 FIG. 10 is a top plan view of the pad shown in FIG. 9;  
 FIG. 11 is a bottom plan view of the pad shown in FIG. 9;  
 FIG. 12 is a front view of the pad shown in FIG. 9; and,  
 FIG. 13 is a rear view of the pad shown in FIG. 9.

**1 Claim, 4 Drawing Sheets**



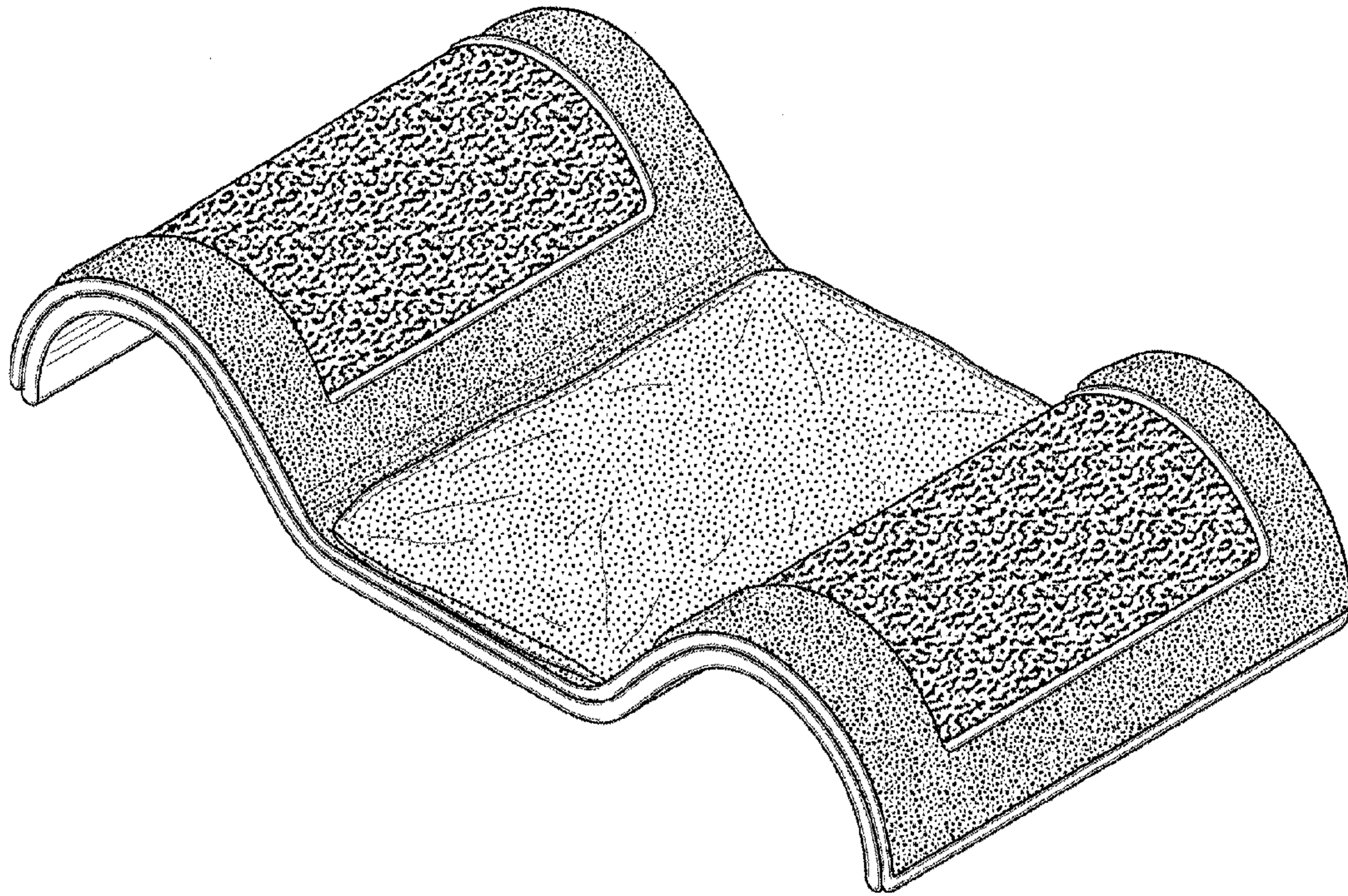


FIG. 1

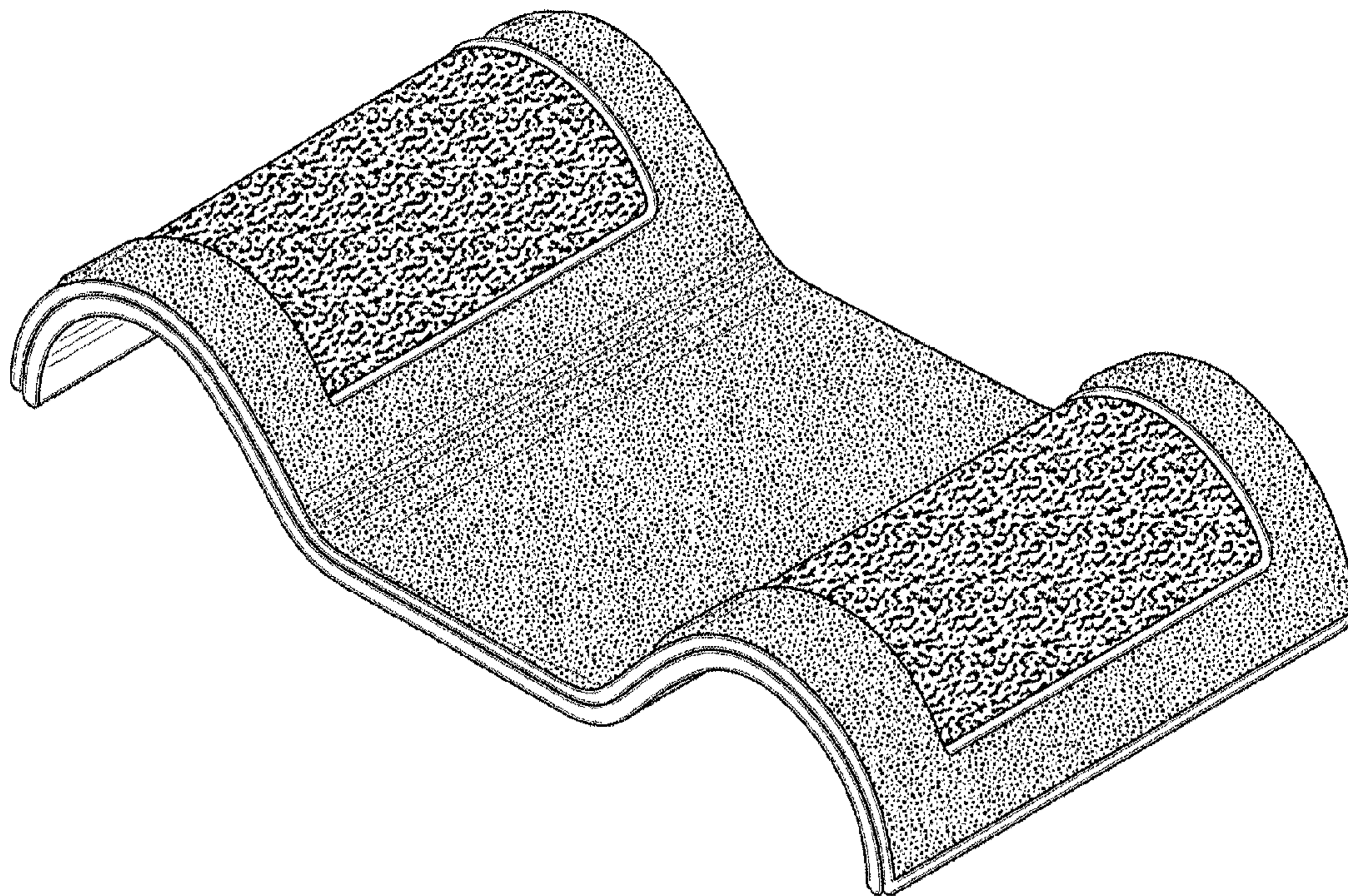


FIG. 2



FIG. 3



FIG. 4

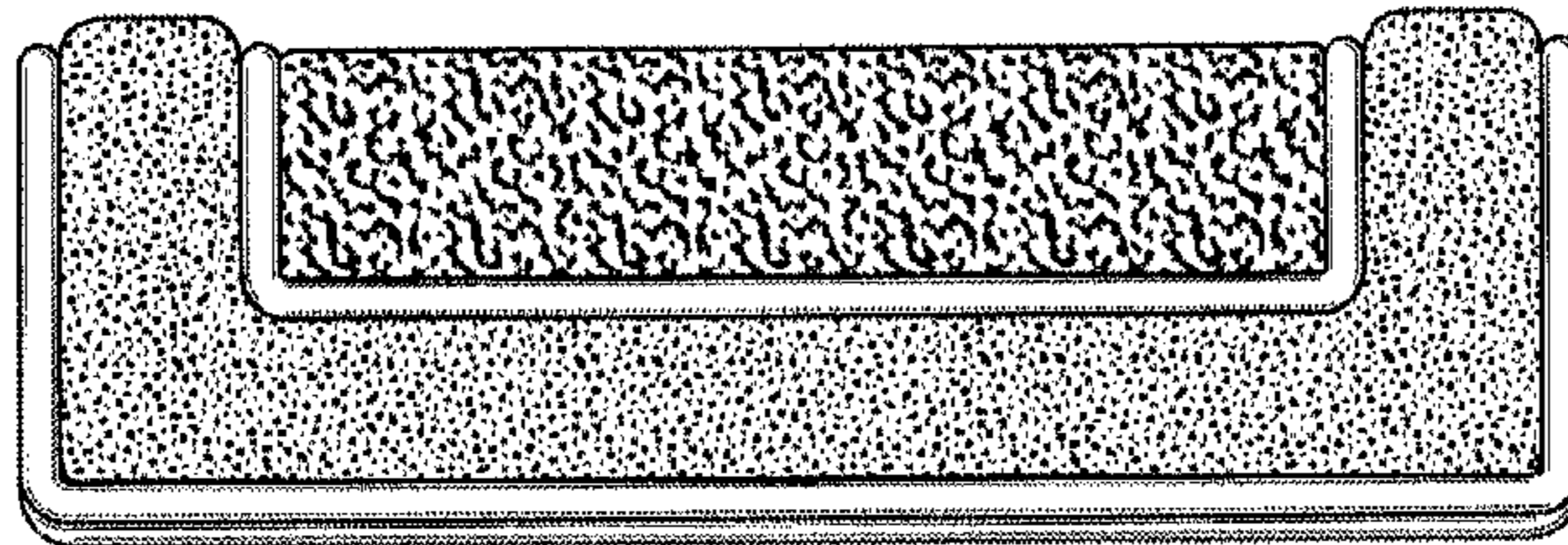


FIG. 5

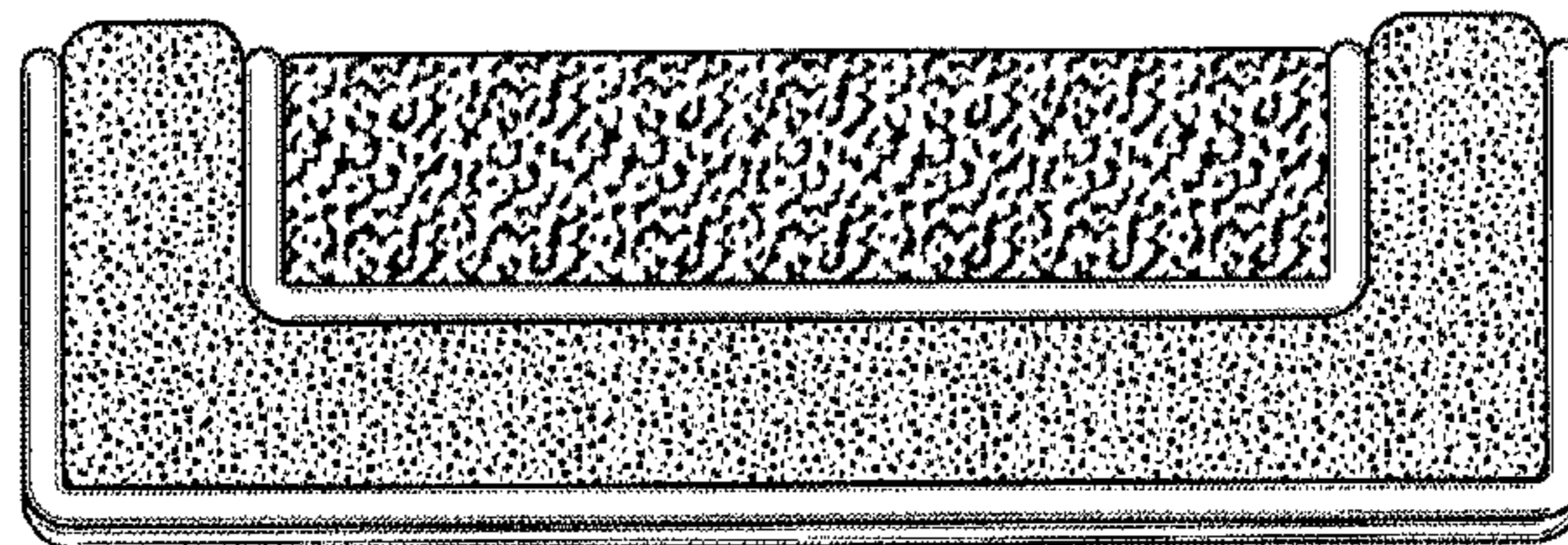


FIG. 6

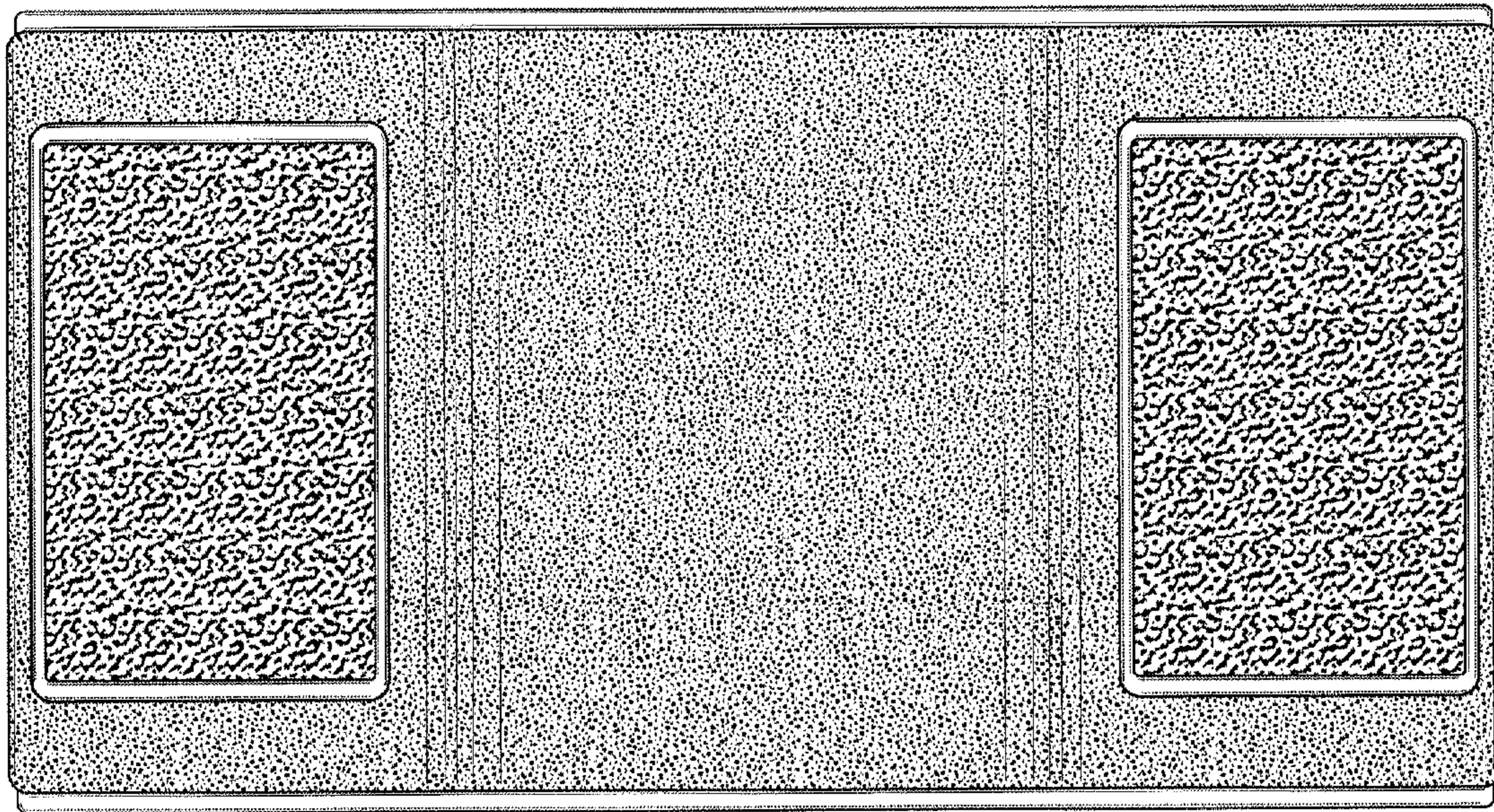


FIG. 7

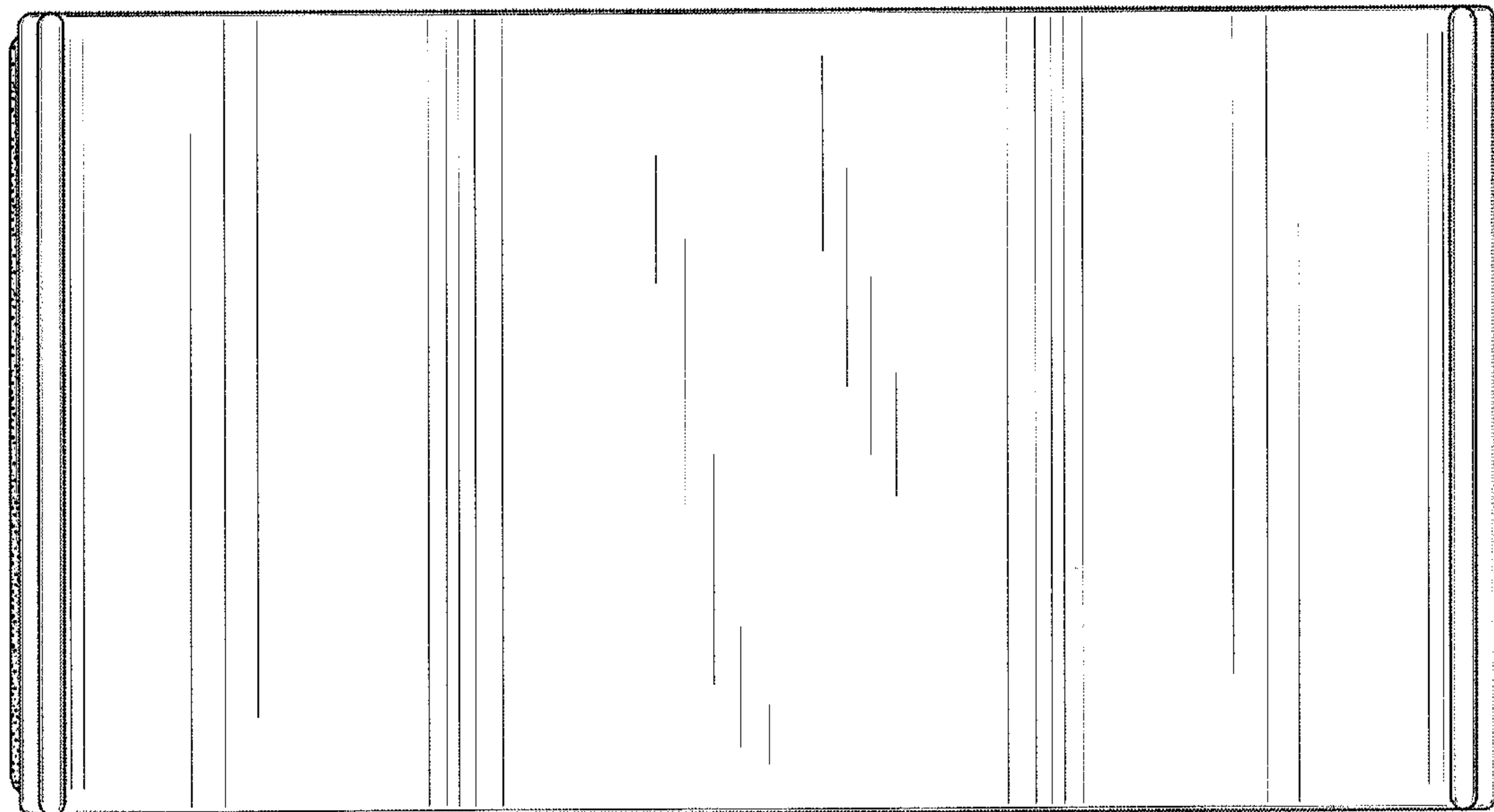


FIG. 8

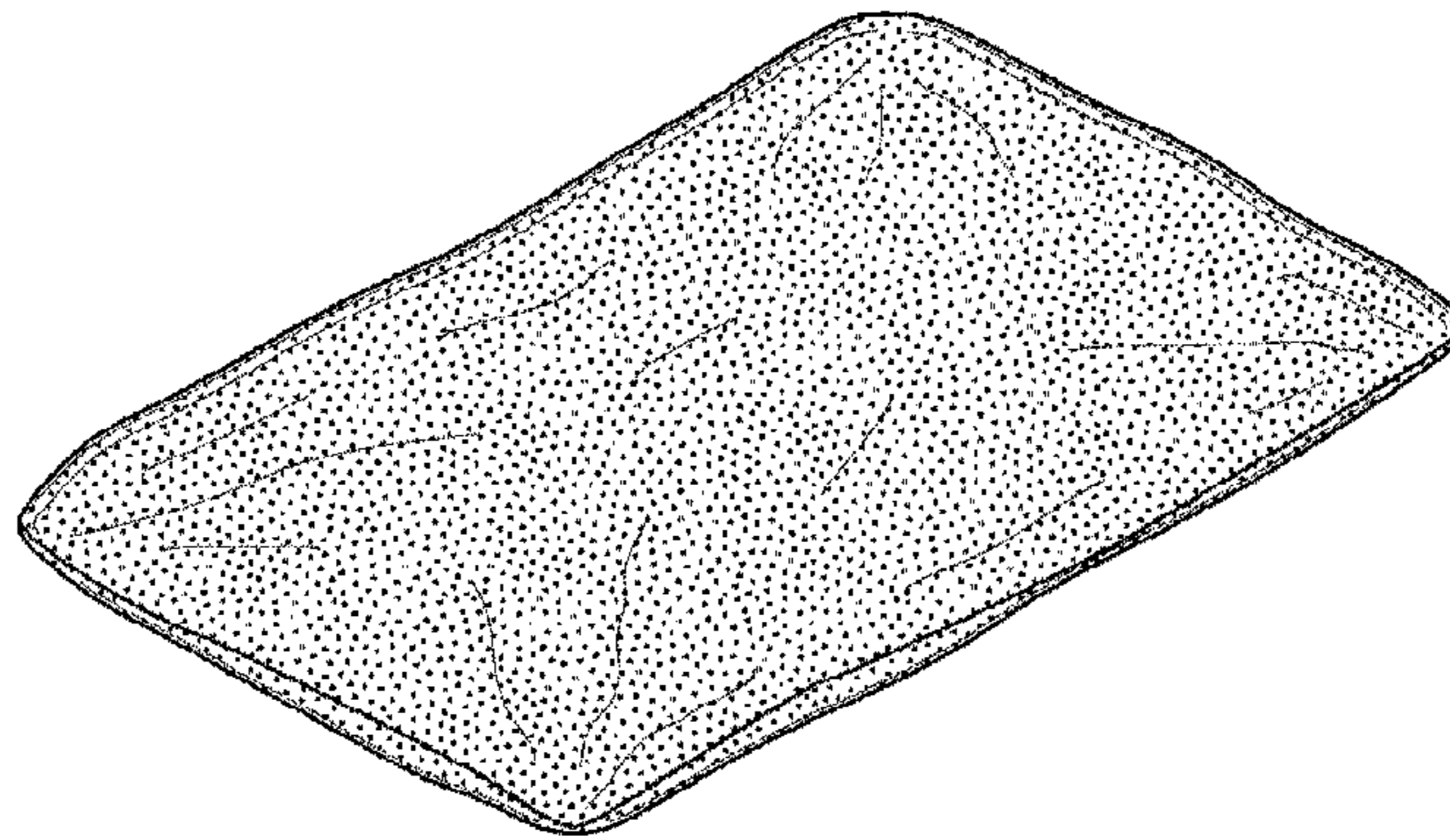


FIG. 9

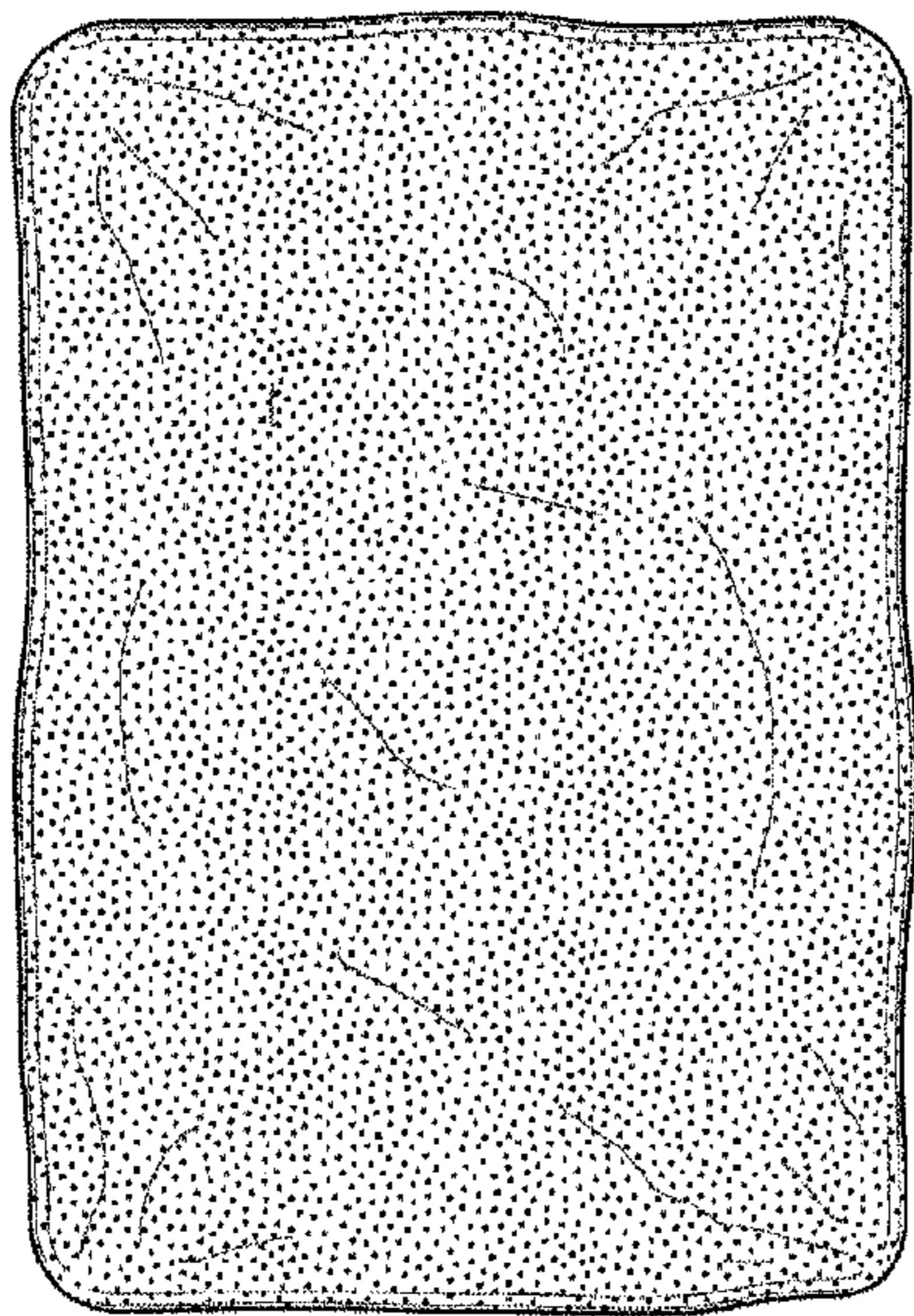


FIG. 10

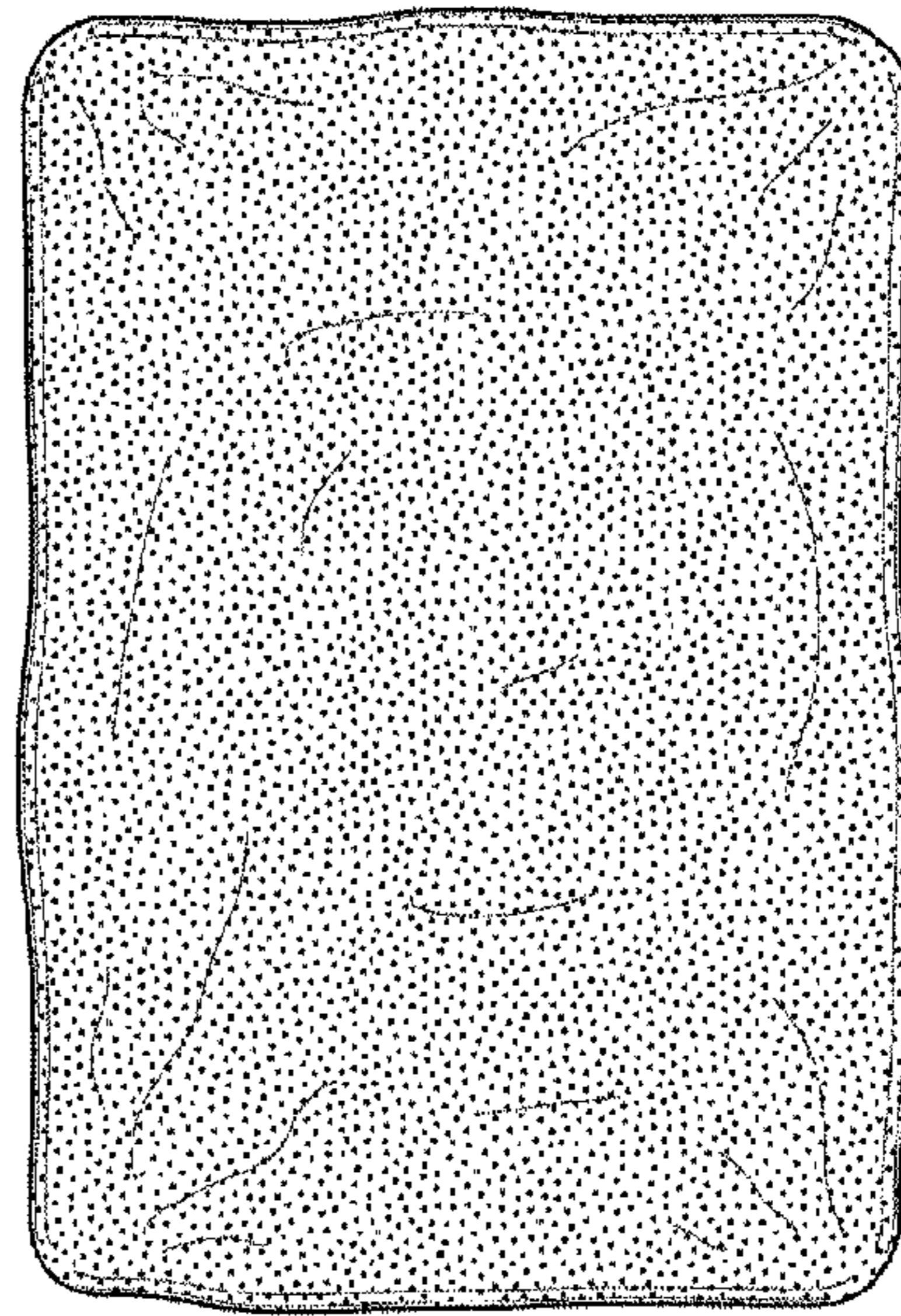


FIG. 11

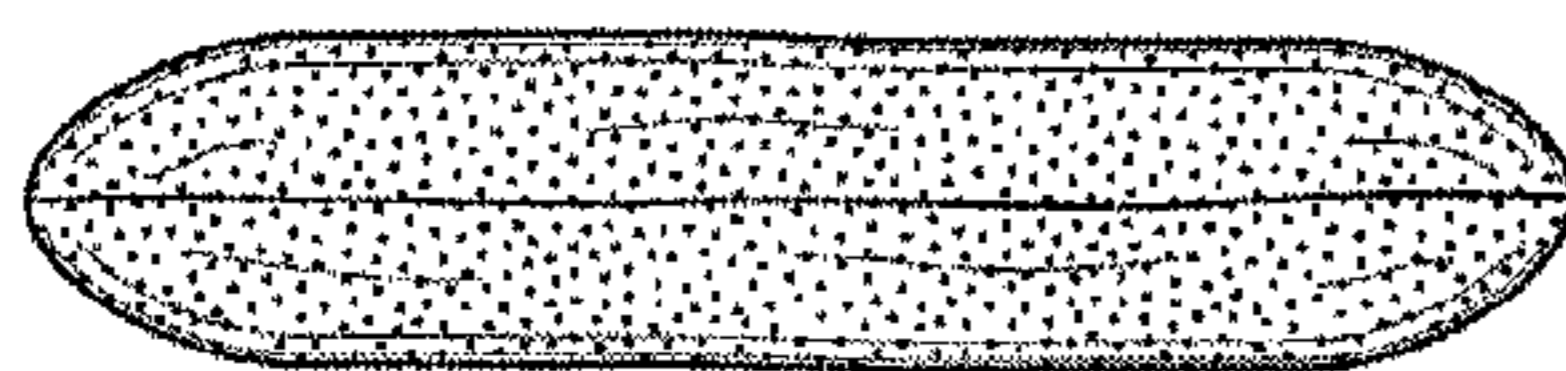


FIG. 12

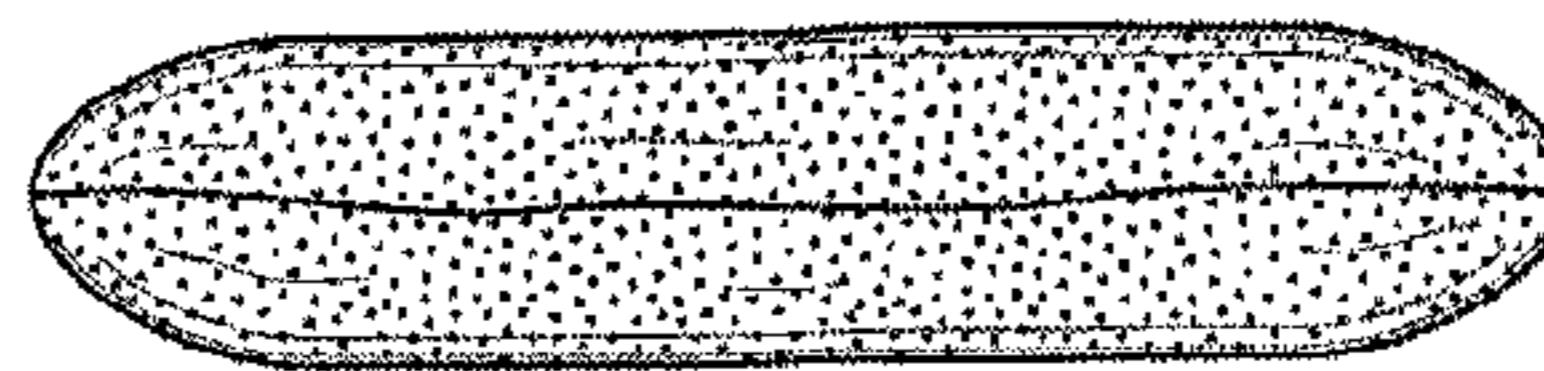


FIG. 13