



US00D661432S

(12) **United States Design Patent**
LaCasse

(10) **Patent No.:** **US D661,432 S**

(45) **Date of Patent:** **** Jun. 5, 2012**

(54) **BELT WITH HANDLES**

(76) Inventor: **Jess LaCasse**, Lake Forest Park, WA
(US)

(**) Term: **14 Years**

(21) Appl. No.: **29/393,828**

(22) Filed: **Jun. 9, 2011**

(51) **LOC (9) Cl.** **29-02**

(52) **U.S. Cl.** **D29/100**

(58) **Field of Classification Search** D29/100,
D29/101.1, 101.2, 101.3, 101.4, 101.5; D2/627,
D2/629; D21/683; 2/16, 300, 311, 312,
2/321; 224/660

See application file for complete search history.

(56) **References Cited**

U.S. PATENT DOCUMENTS

4,413,358	A	*	11/1983	Jimenez	2/321
D457,688	S	*	5/2002	Cordero	D29/100
D500,393	S	*	12/2004	Beacham et al.	D29/100
D515,245	S	*	2/2006	Wartick	D29/100

* cited by examiner

Primary Examiner — Susan Bennett Hattan

Assistant Examiner — Barbara B Lohr

(74) *Attorney, Agent, or Firm* — C. Rachal Winger; K&L Gates LLP

(57) **CLAIM**

The ornamental design for a belt with handles, as shown and described.

DESCRIPTION

FIG. 1 is a perspective view of a belt with handles showing my new design in a configuration in which it is intended to be worn;

FIG. 2 is a side view of a belt with handles showing my new design in a configuration in which it is intended to be worn;

FIG. 3 is a front view of a belt with handles showing my new design in a configuration in which it is intended to be worn;

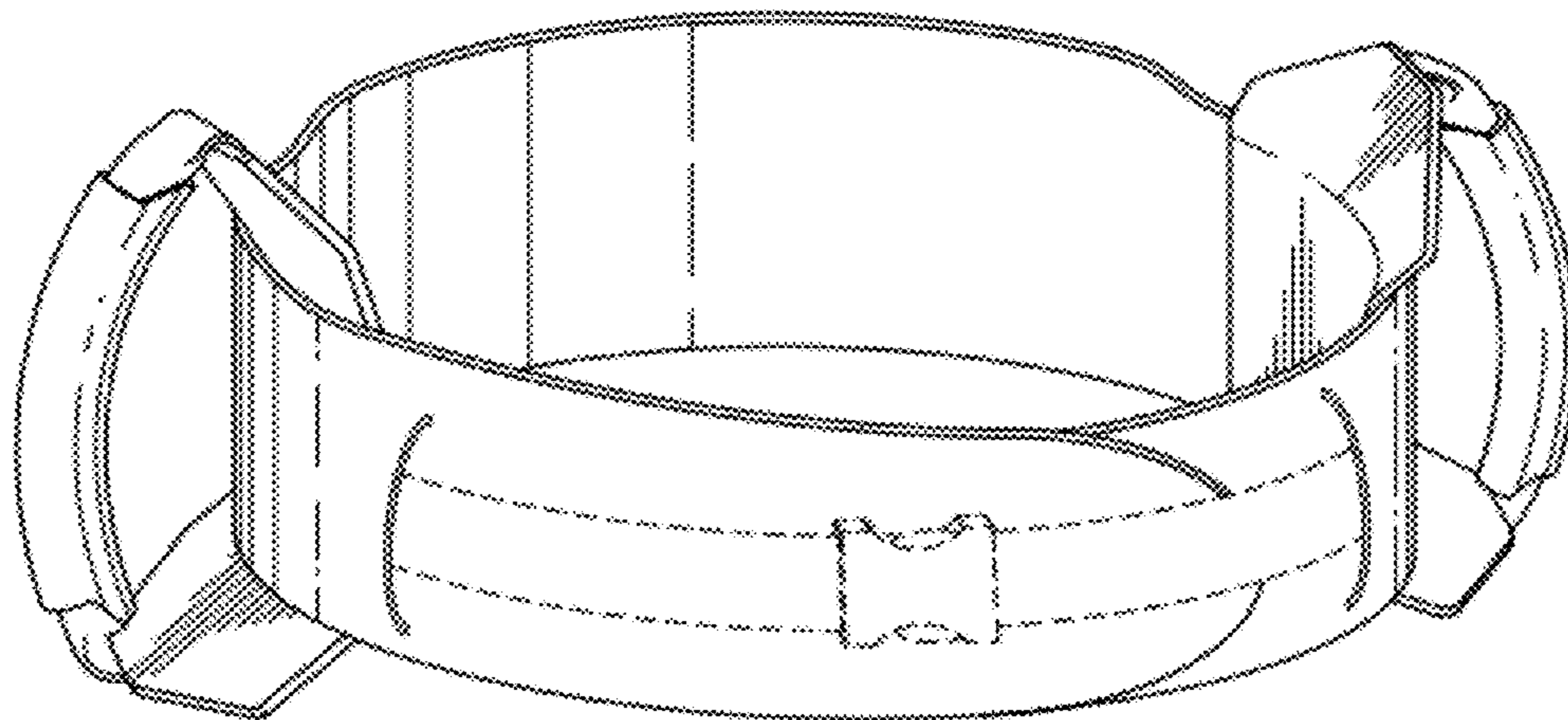
FIG. 4 is a back view of a belt with handles showing my new design in a configuration in which it is intended to be worn;

FIG. 5 is a top plan view of a belt with handles showing my new design in a configuration in which it is intended to be worn;

FIG. 6 is a view of the interior of a belt with handles showing my new design; and,

FIG. 7 is a view of the exterior of a belt with handles showing my new design.

1 Claim, 4 Drawing Sheets



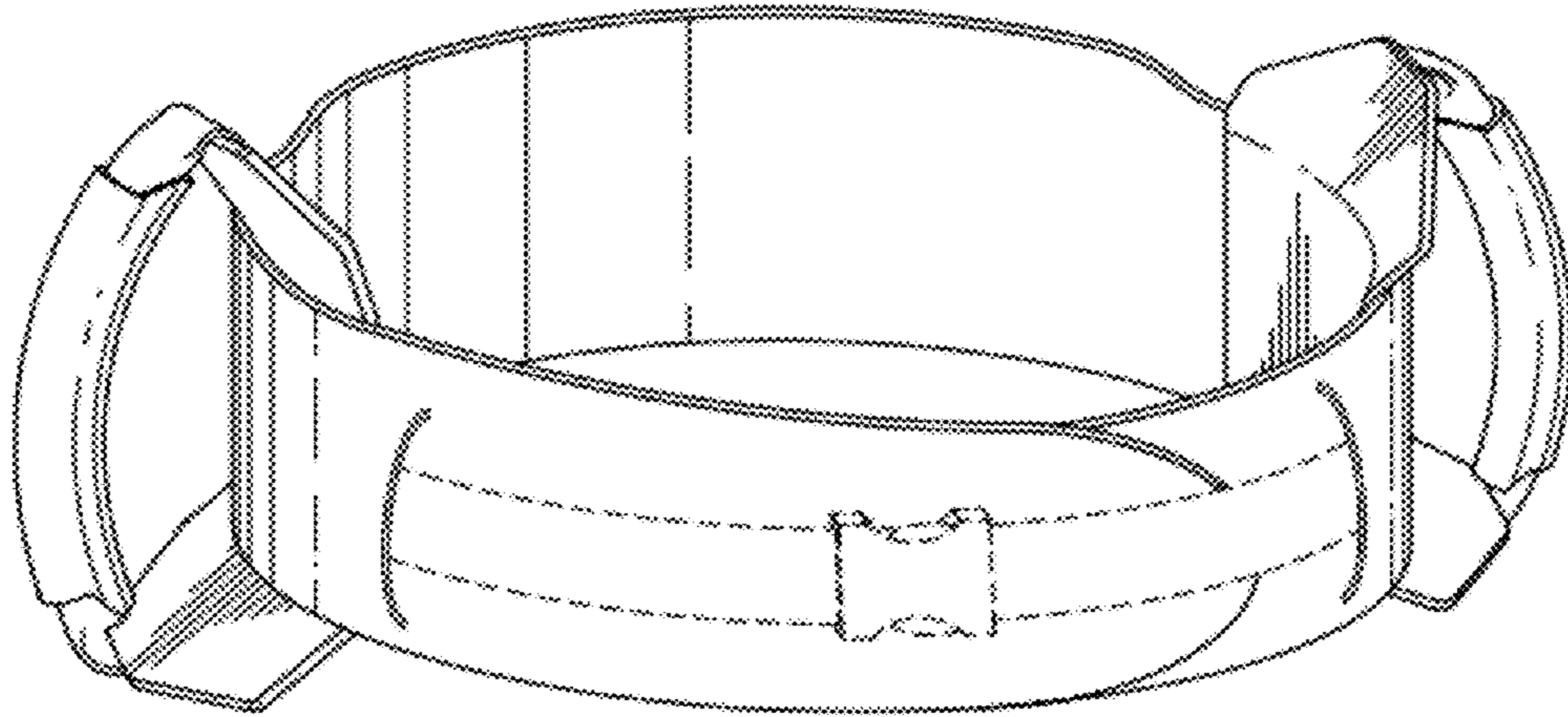


FIG. 1

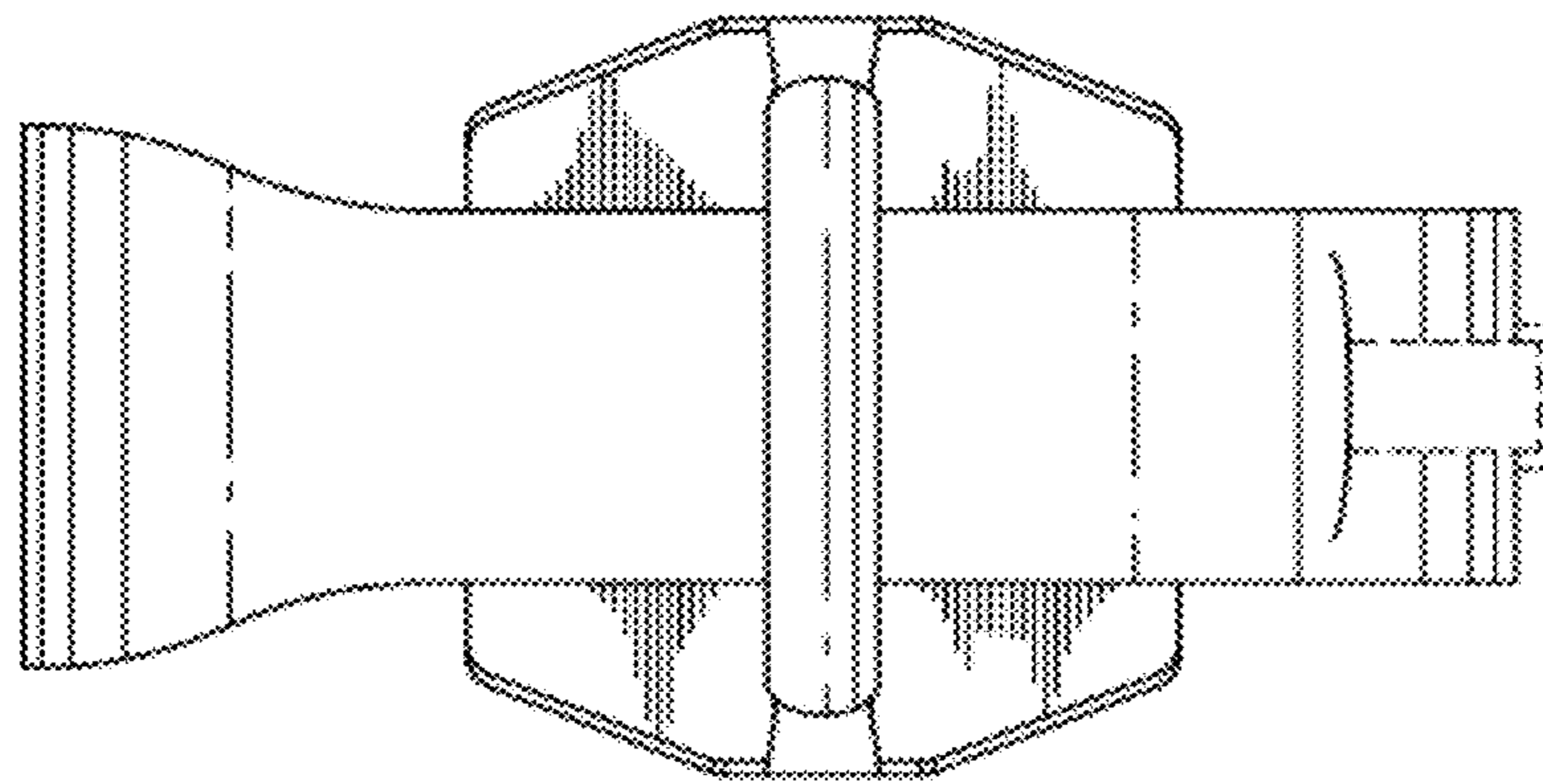


FIG. 2

FIG. 3

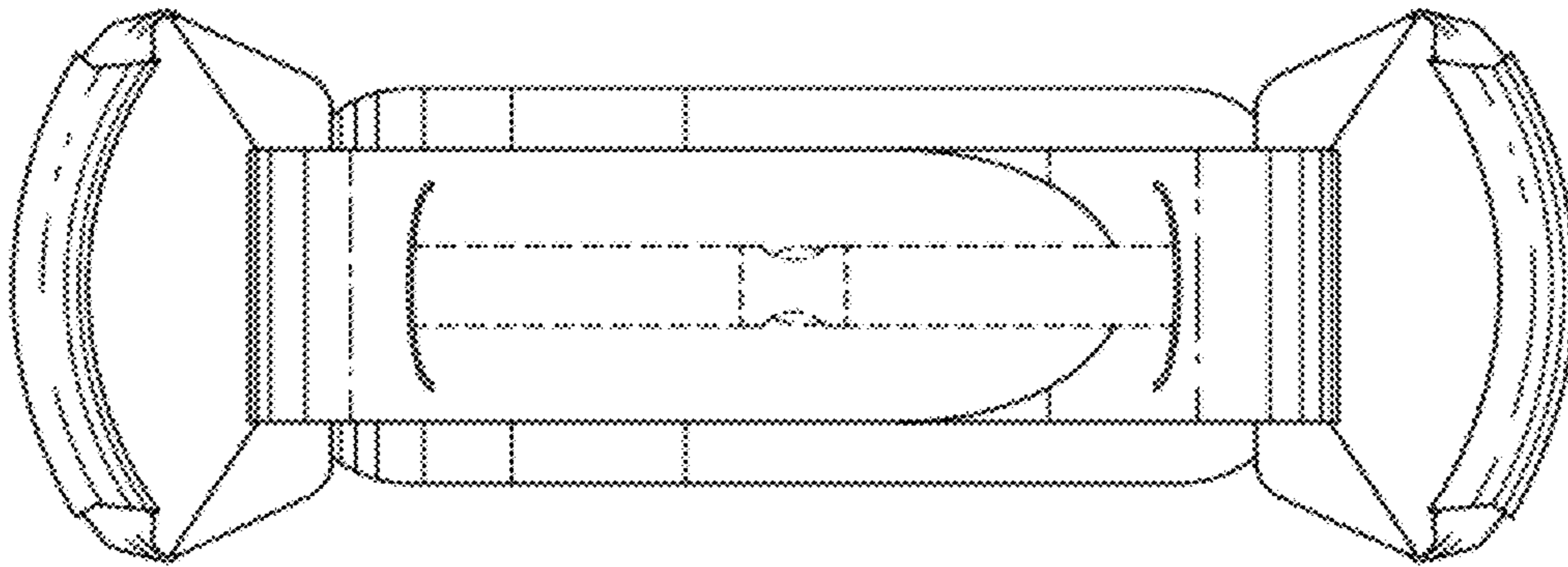


FIG. 4

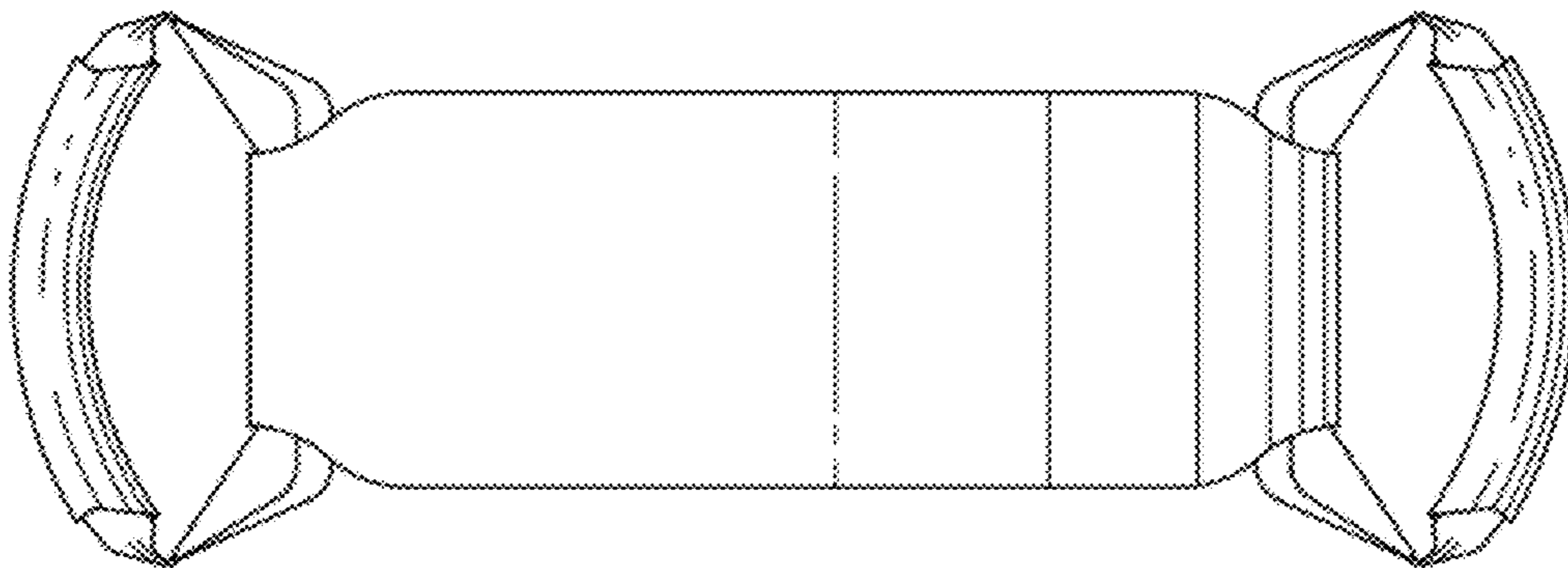
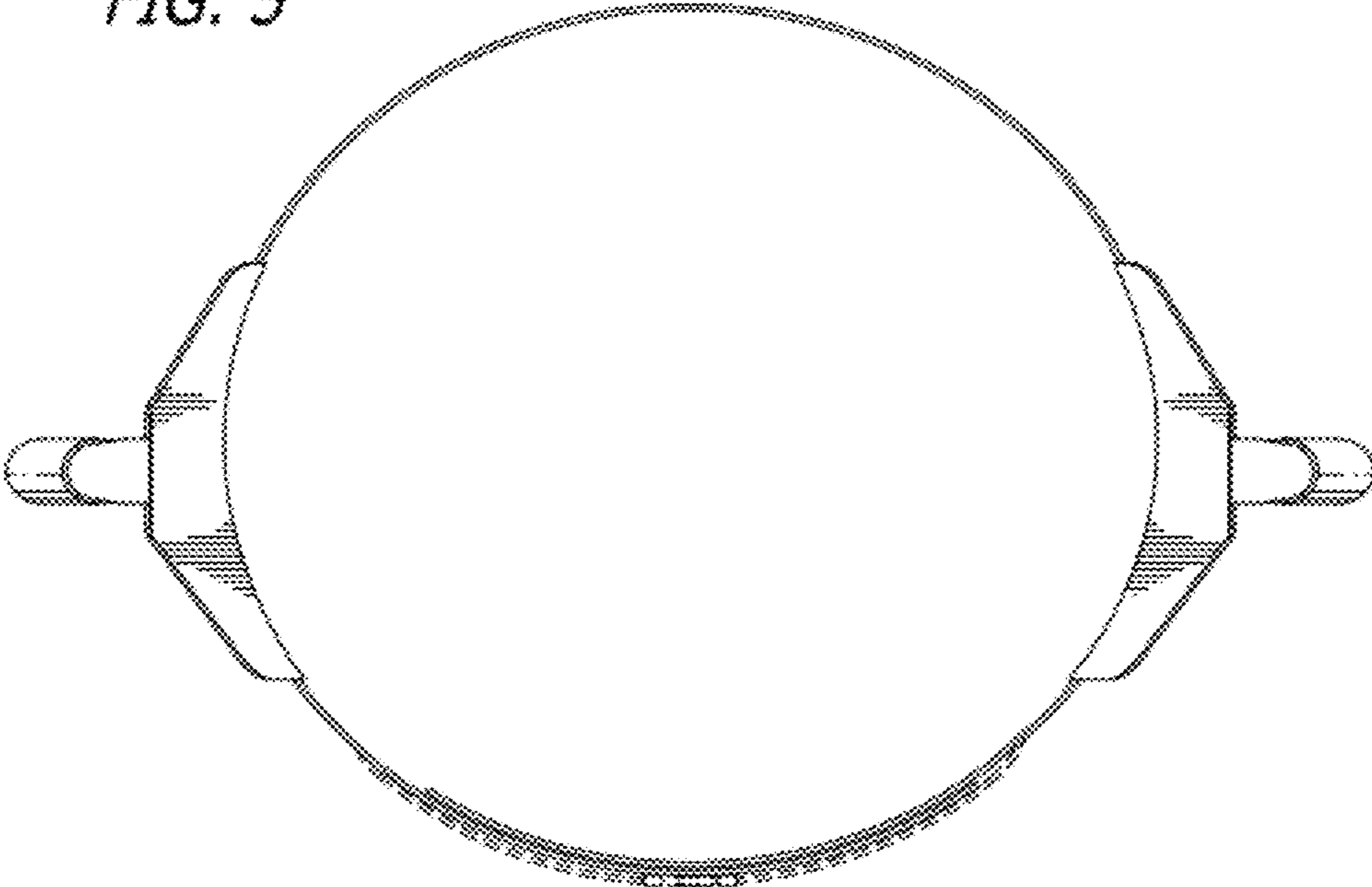


FIG. 5



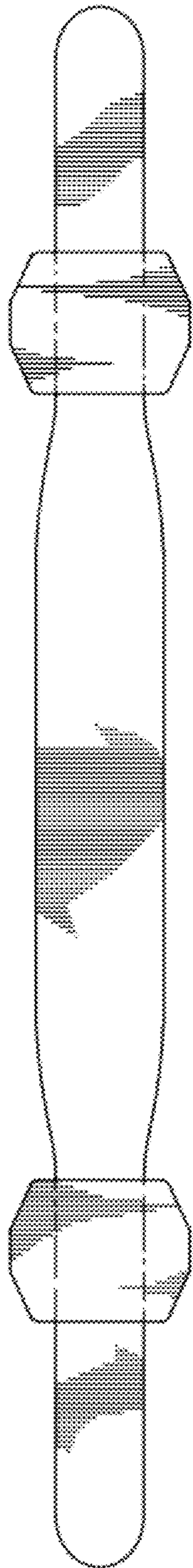


FIG. 6

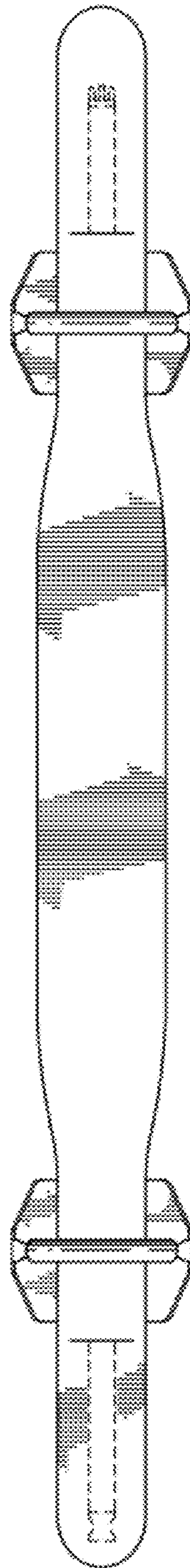


FIG. 7