

US00D661431S

(12) **United States Design Patent**  
**Bagley**

(10) **Patent No.:** **US D661,431 S**  
(45) **Date of Patent:** **\*\* Jun. 5, 2012**

- (54) **LIP BALM SPINNER**
- (75) Inventor: **Denise Bagley**, Herriman, UT (US)
- (73) Assignee: **Prime Global Enterprises, LLC**,  
Herriman, UT (US)
- (\*\*) Term: **14 Years**
- (21) Appl. No.: **29/384,192**
- (22) Filed: **Jan. 27, 2011**
- (51) **LOC (9) Cl.** ..... **28-03**
- (52) **U.S. Cl.** ..... **D28/89**
- (58) **Field of Classification Search** ..... D28/73,  
D28/76-84, 85-90; 206/581, 823, 385;  
132/286-318; 401/17, 18, 126-130, 78,  
401/98; D9/503-504  
See application file for complete search history.

- D522,696 S \* 6/2006 Severa ..... D28/88
- D534,082 S \* 12/2006 Chadfield ..... D9/729
- D634,073 S \* 3/2011 Tsai ..... D28/87
- 2008/0245386 A1 \* 10/2008 Steele ..... 132/318

\* cited by examiner

*Primary Examiner* — Jennifer Rivard  
(74) *Attorney, Agent, or Firm* — Thorpe North & Western  
LLP

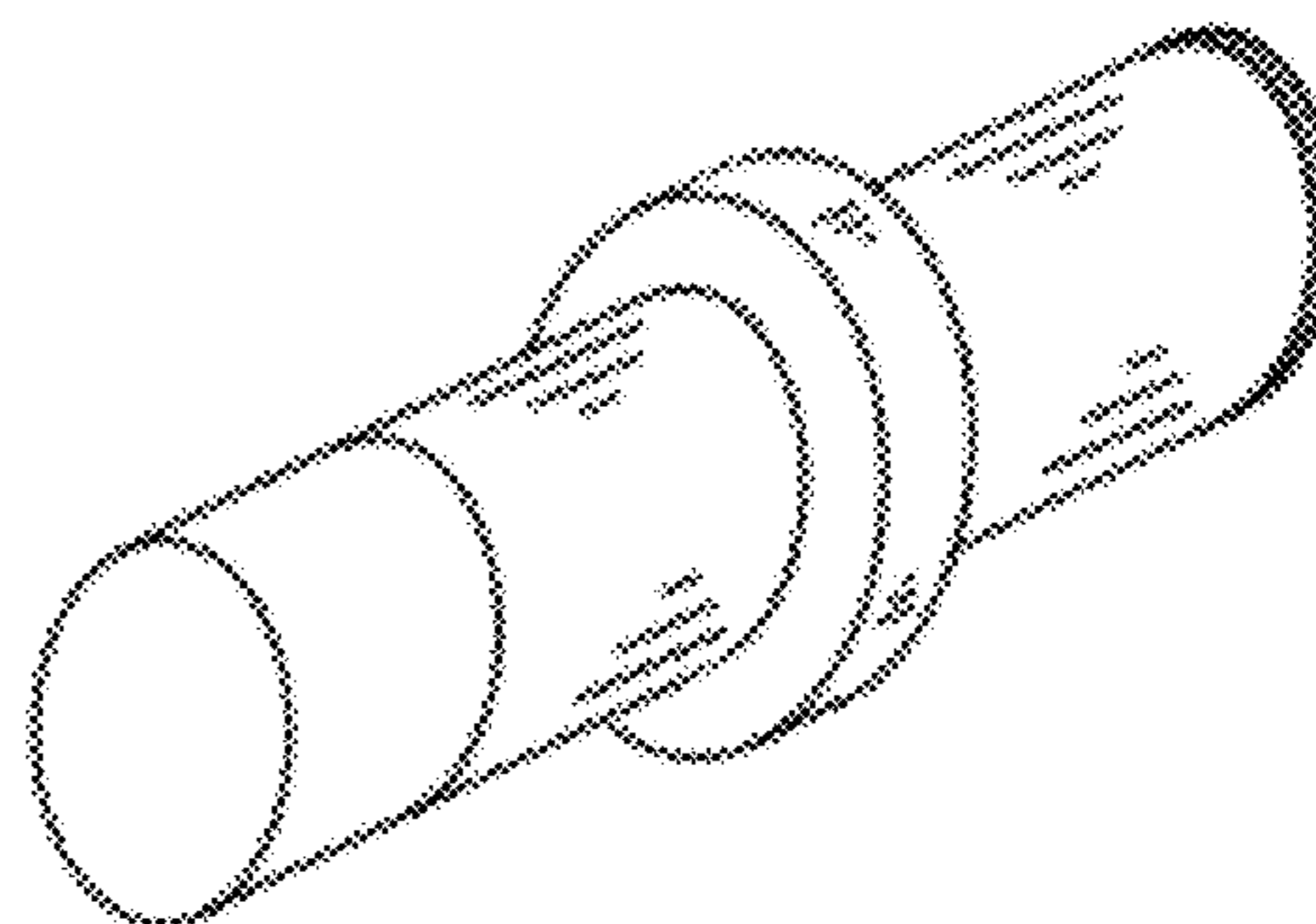
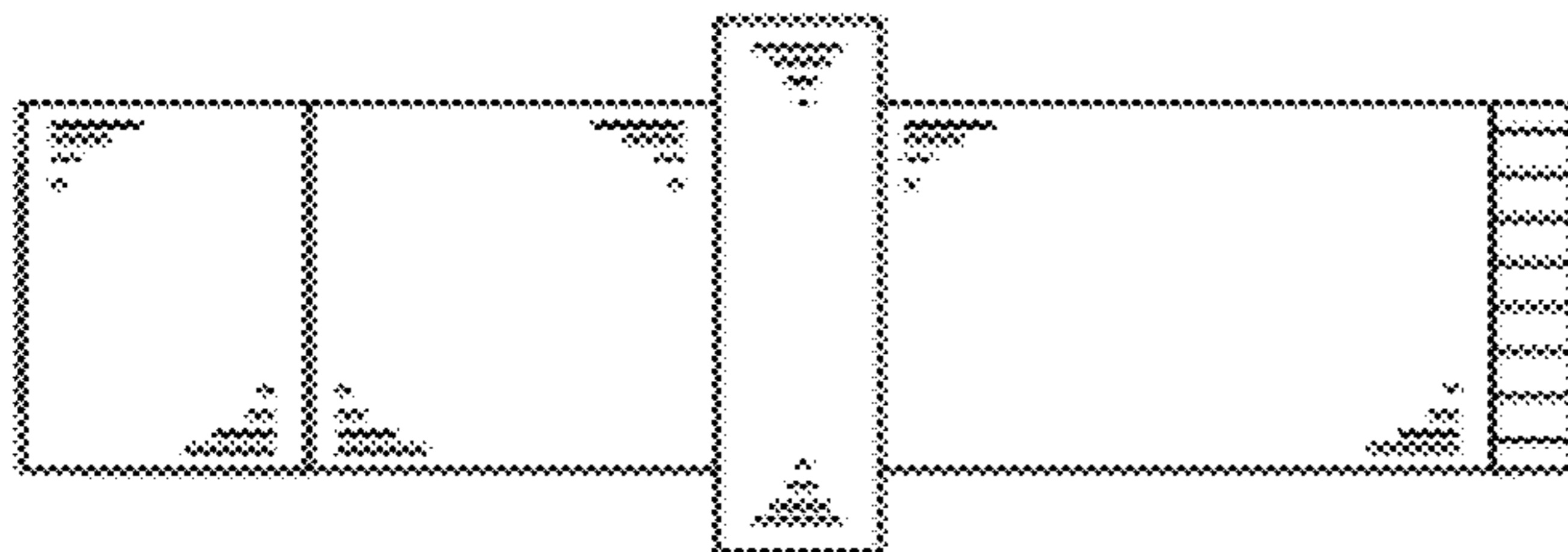
(57) **CLAIM**  
The ornamental design for the lip balm spinner, as shown and  
described.

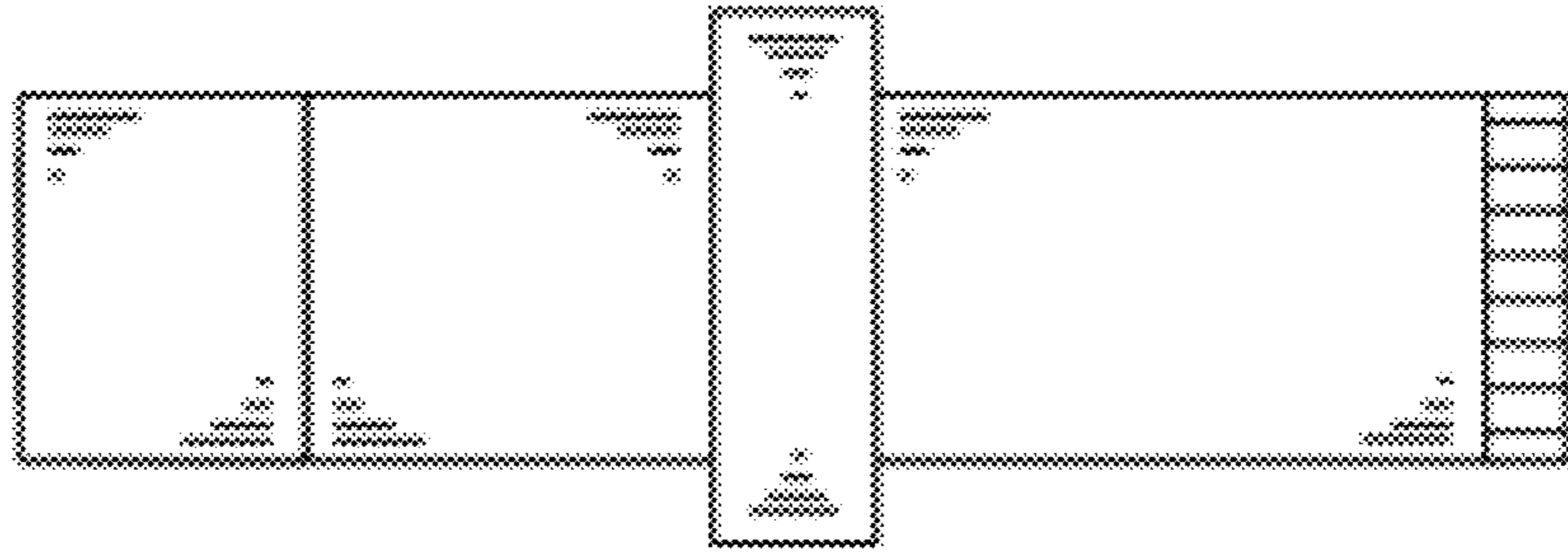
**DESCRIPTION**

FIG. 1 is a side view of the lip balm spinner, an opposing side  
view being the mirror image thereof;  
FIG. 2 is an end view, taken from the left side of FIG. 1;  
FIG. 3 is an end view, taken from the right side of FIG. 1;  
FIG. 4 is a perspective view of the lip balm spinner of FIG. 1;  
and,  
FIG. 5 is another side view of the lip balm spinner.  
The broken lines shown in FIG. 5 illustrate the environment  
and form no part of the claimed design.

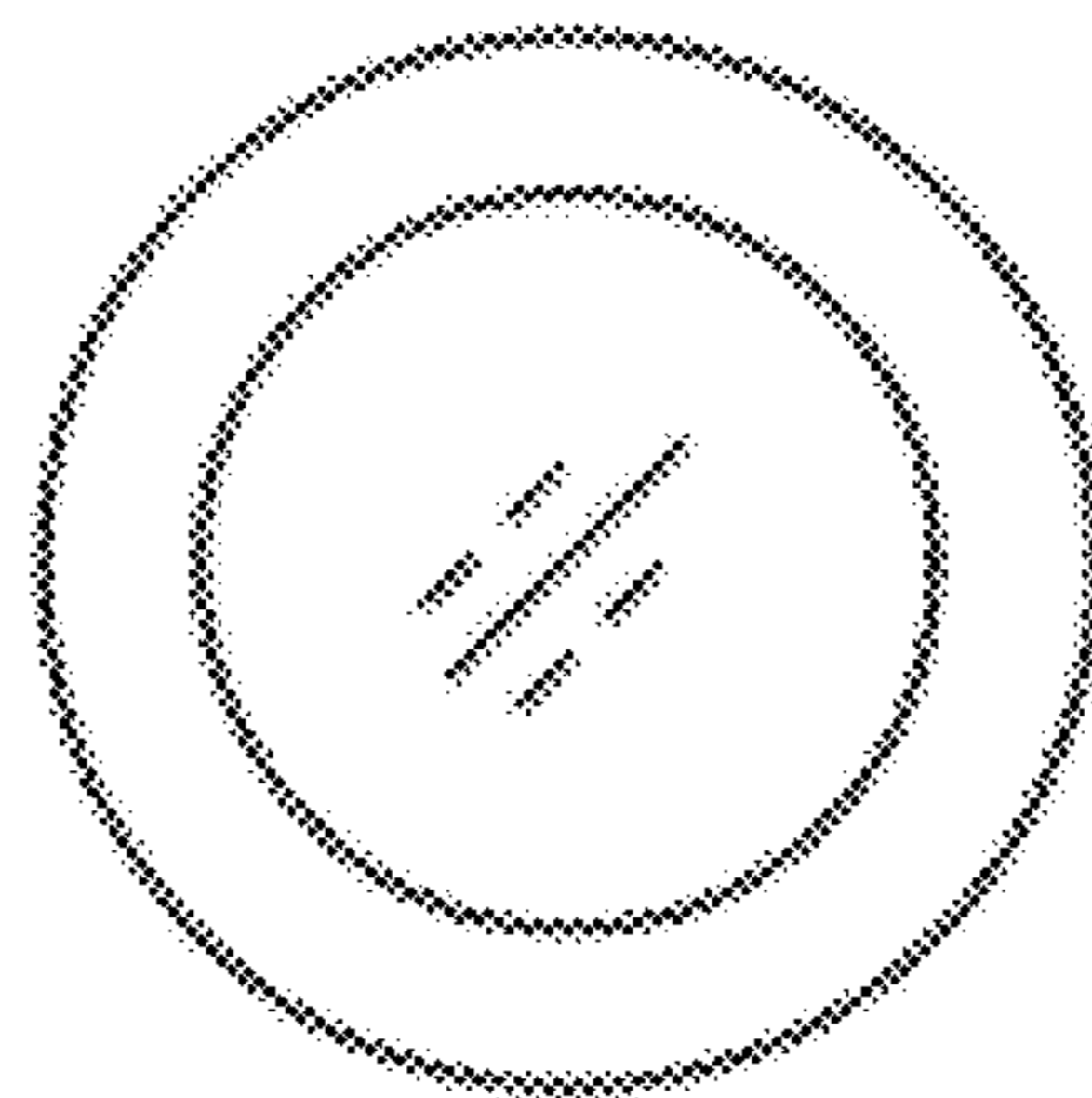
- (56) **References Cited**
- U.S. PATENT DOCUMENTS
- 5,373,940 A \* 12/1994 Hillelson ..... 206/385
- D444,597 S \* 7/2001 Weinstock ..... D28/87
- D446,356 S \* 8/2001 Look ..... D28/77

**1 Claim, 3 Drawing Sheets**

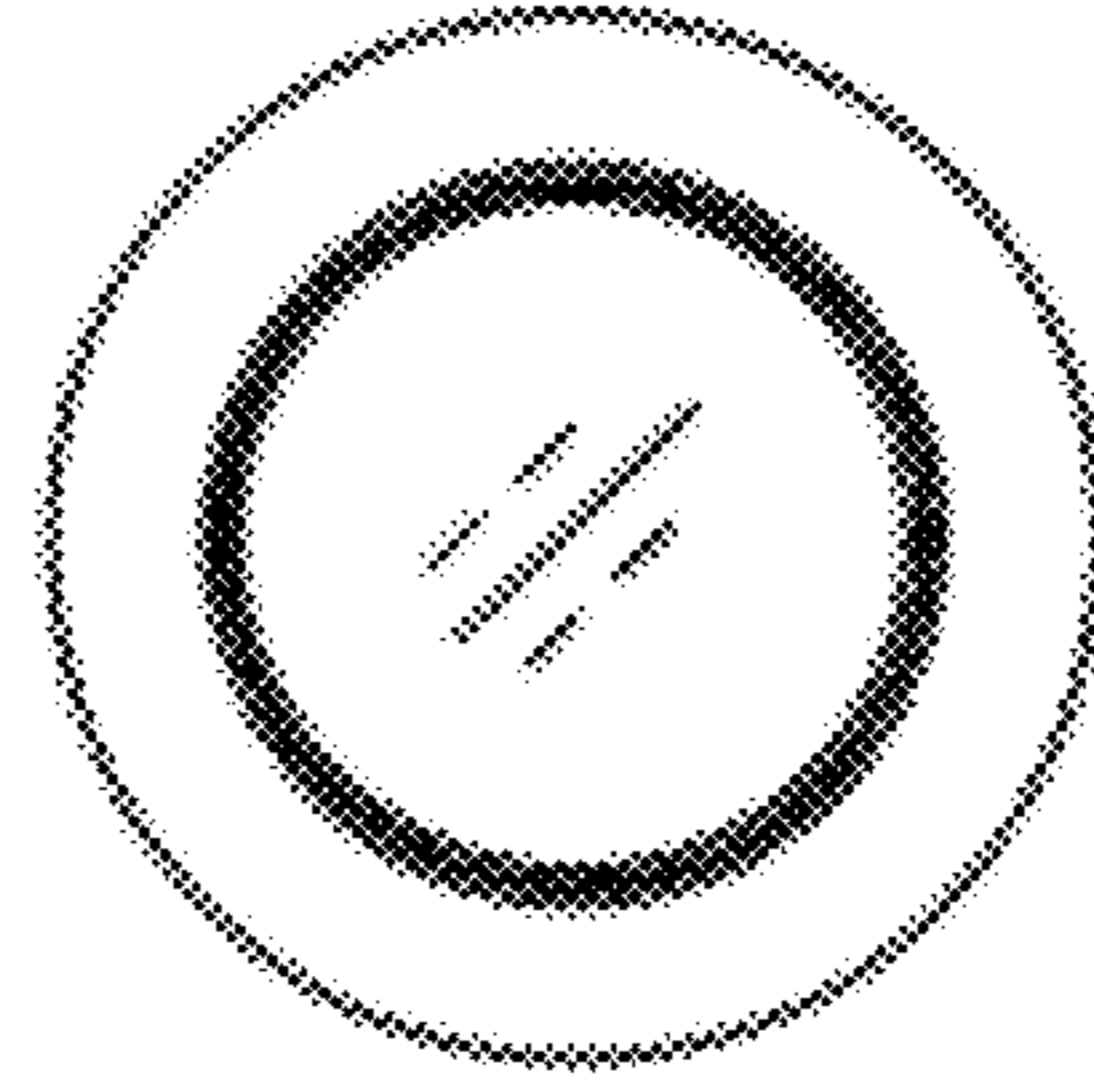




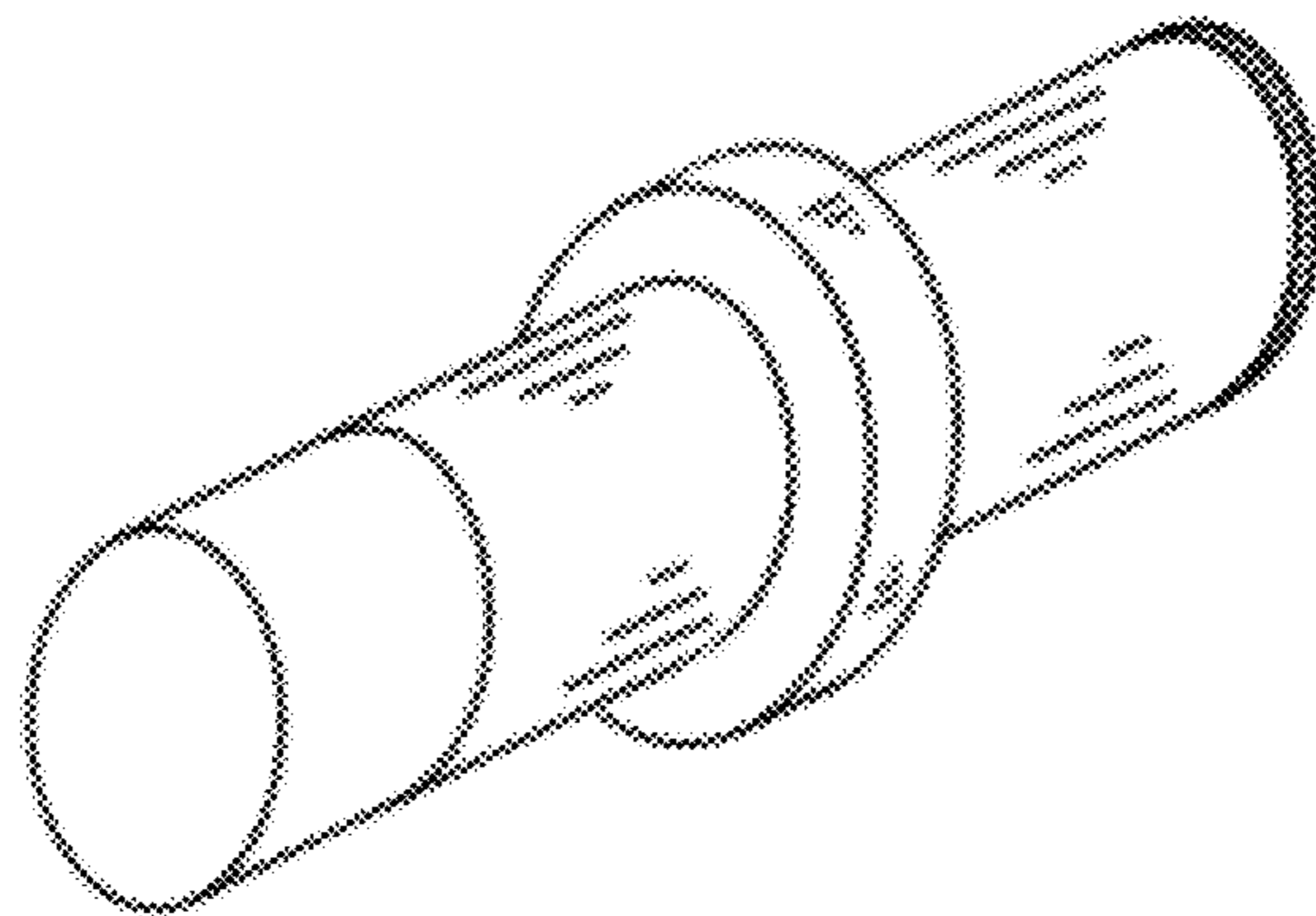
**FIG. 1**



**FIG. 2**



**FIG. 3**



**FIG. 4**

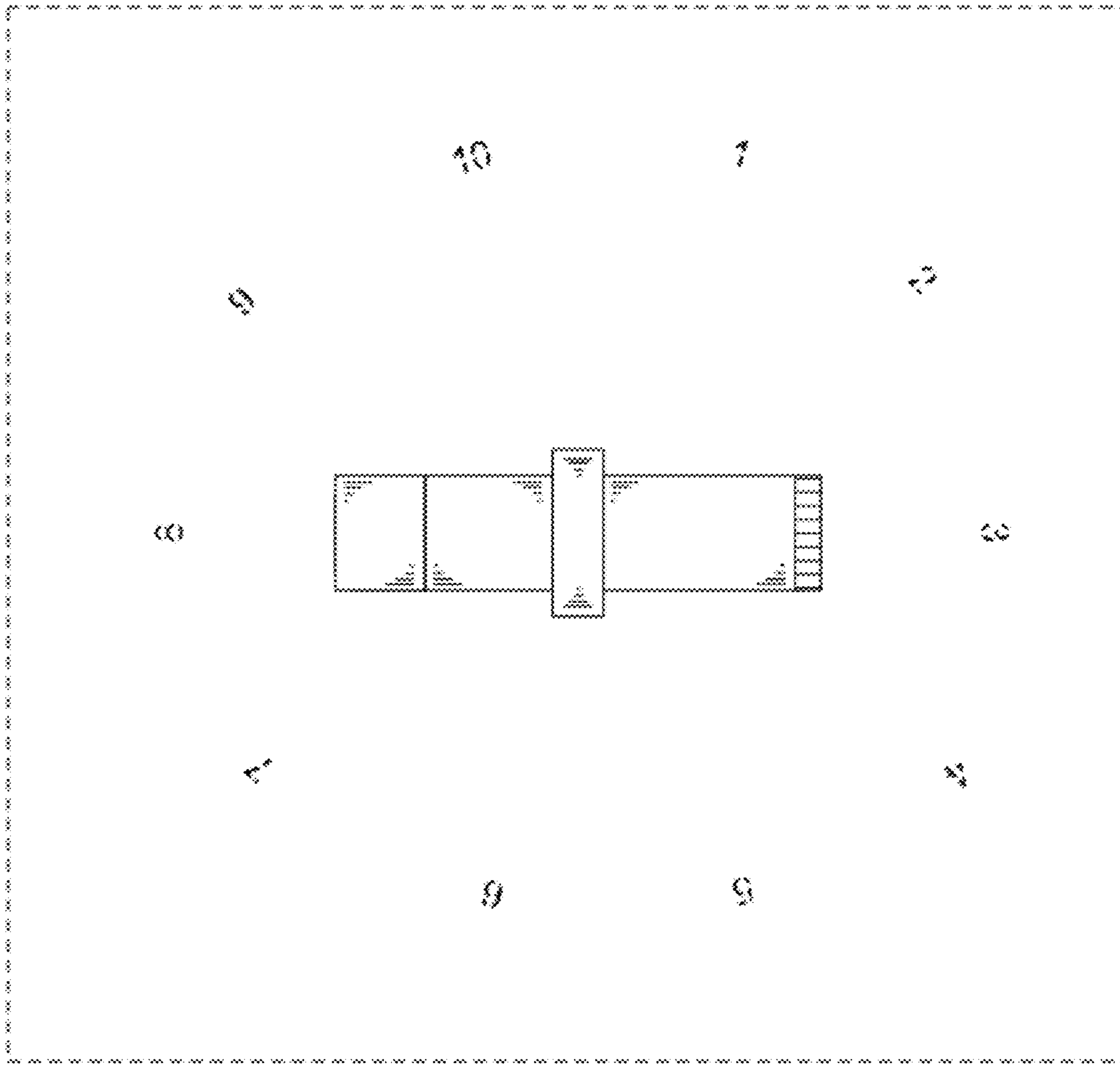


FIG. 5