



US00D661427S

(12) **United States Design Patent**
Christie et al.

(10) **Patent No.:** **US D661,427 S**
(45) **Date of Patent:** **** Jun. 5, 2012**

(54) **SHAVING CARTRIDGE CONNECTOR**

(75) Inventors: **Vanessa Christie**, Boston, MA (US);
Guohua Pan, Singapore (CN); **Kevin James Wain**, Reading (GB); **Xiaolan Xu**, Singapore (CN)

(73) Assignee: **The Gillette Company**, Boston, MA (US)

(**) Term: **14 Years**

(21) Appl. No.: **29/408,269**

(22) Filed: **Dec. 9, 2011**

(51) **LOC (9) Cl.** **28-03**

(52) **U.S. Cl.** **D28/47**

(58) **Field of Classification Search** D28/44-48;
30/32, 34.05, 34.1-34.2, 42-61, 77-84, 526-538,
30/346.5-346.61

See application file for complete search history.

(56) **References Cited**

U.S. PATENT DOCUMENTS

5,813,293	A	9/1998	Apprille, Jr. et al.	
D457,684	S *	5/2002	Wonderley	D28/48
D533,684	S	12/2006	Gray et al.	
7,200,942	B2 *	4/2007	Richard	30/526
D601,753	S	10/2009	Cataudella et al.	

D625,883	S	10/2010	Wonderley	
D640,415	S	6/2011	Wonderley et al.	
D643,976	S	8/2011	Wonderley et al.	
D643,977	S *	8/2011	Wonderley et al.	D28/47
D648,075	S *	11/2011	Wonderley et al.	D28/47
D648,076	S	11/2011	Jessemey et al.	
D649,712	S *	11/2011	Pan et al.	D28/46

* cited by examiner

Primary Examiner — Jennifer Rivard

(74) *Attorney, Agent, or Firm* — John M. Lipchitz; Kevin C. Johnson; Steven W. Miller

(57) **CLAIM**

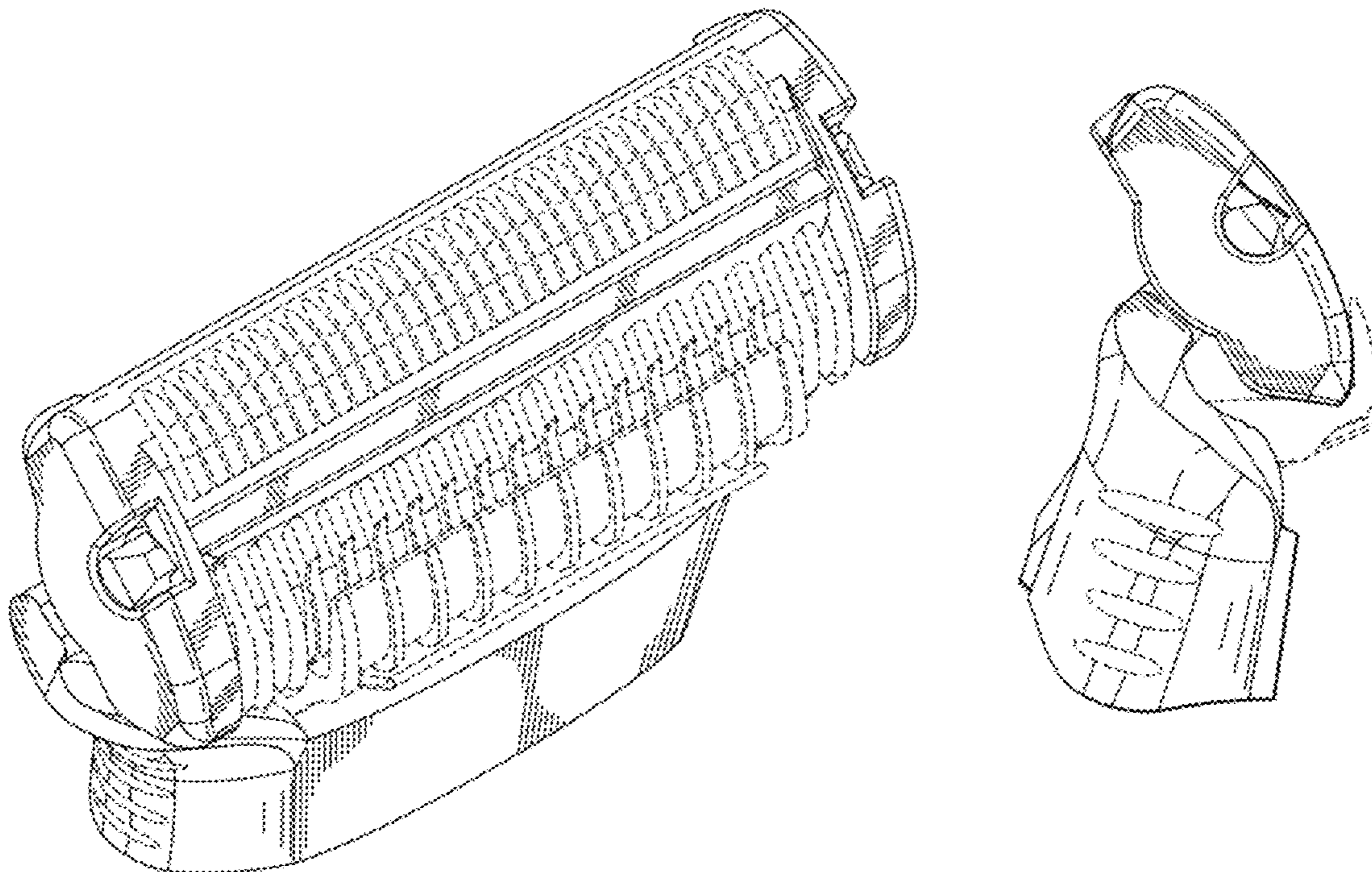
The ornamental design for a shaving cartridge connector, as shown and described.

DESCRIPTION

FIG. 1 is a perspective view of a shaving cartridge connector of the present invention;
FIG. 2 is a front view thereof;
FIG. 3 is a rear view thereof;
FIG. 4 is a right side view thereof;
FIG. 5 is a left side view thereof;
FIG. 6 is a top view thereof; and,
FIG. 7 is a bottom view thereof.

The broken lines are shown for illustrative purposes only and form no part of the claimed design.

1 Claim, 5 Drawing Sheets



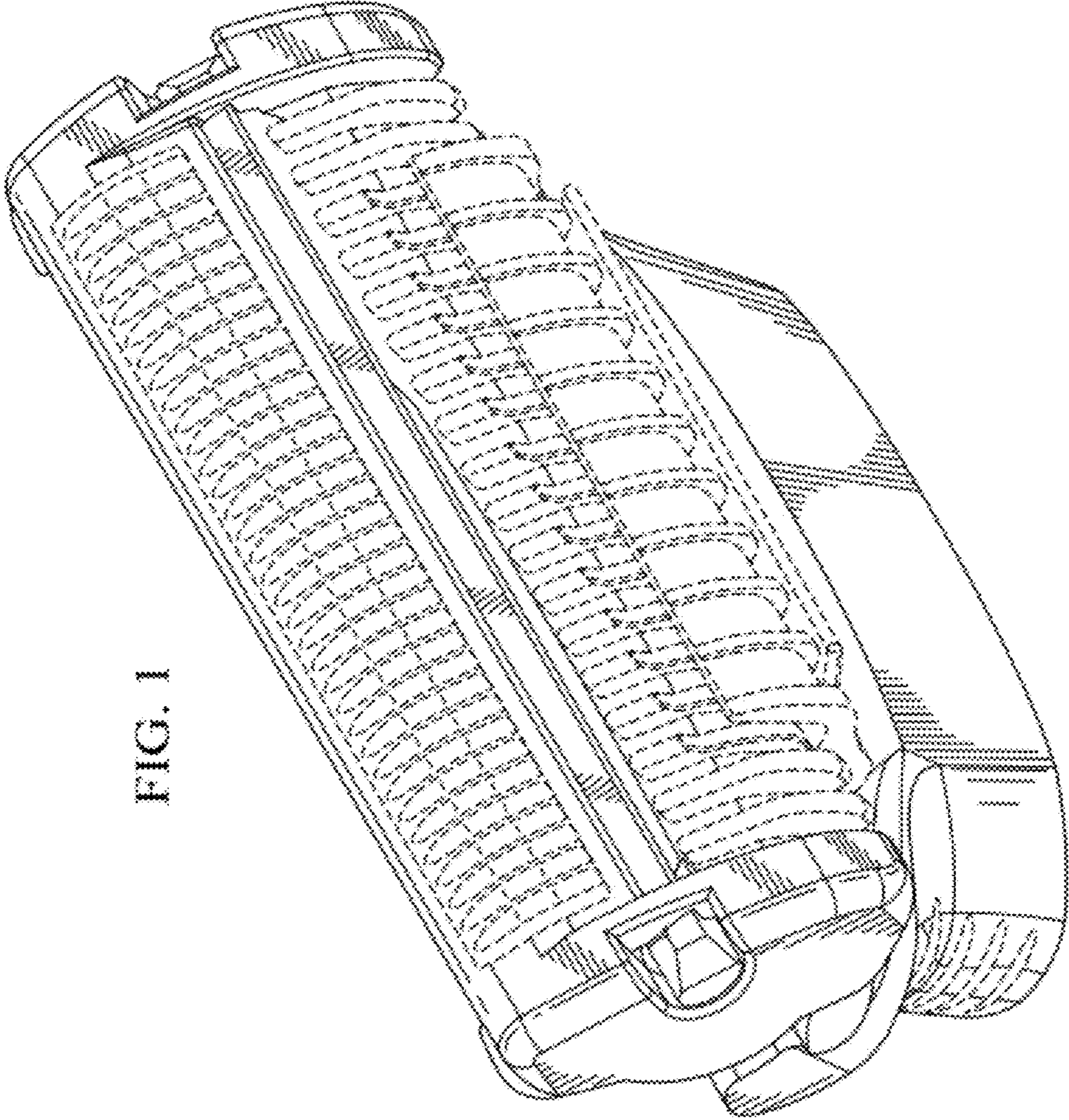


FIG. 1

Vanessa Christie et al
ZD-6130
SHAVING CARTRIDGE CONNECTOR
2/15

FIG. 2

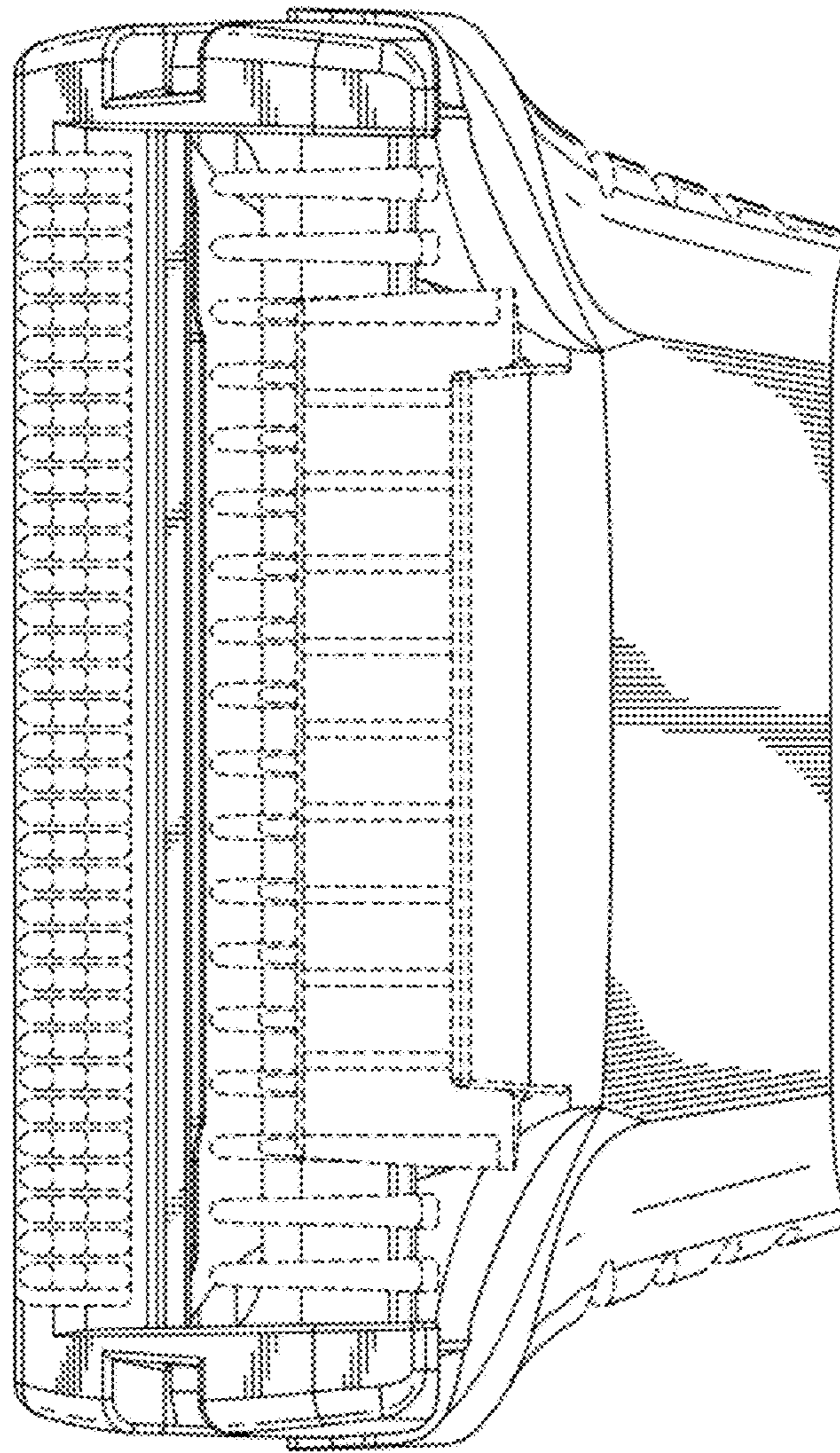


FIG. 3

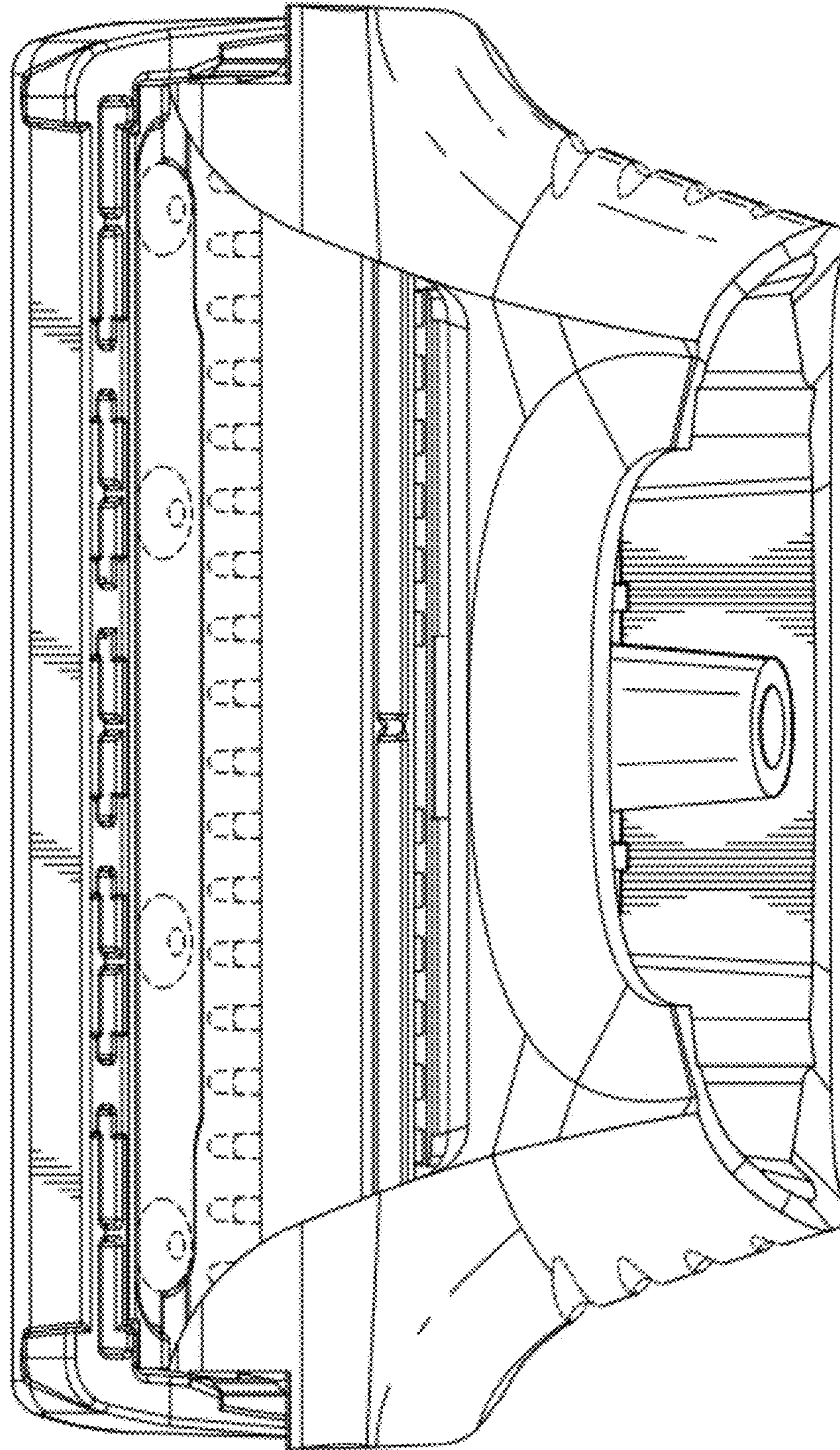


FIG. 5

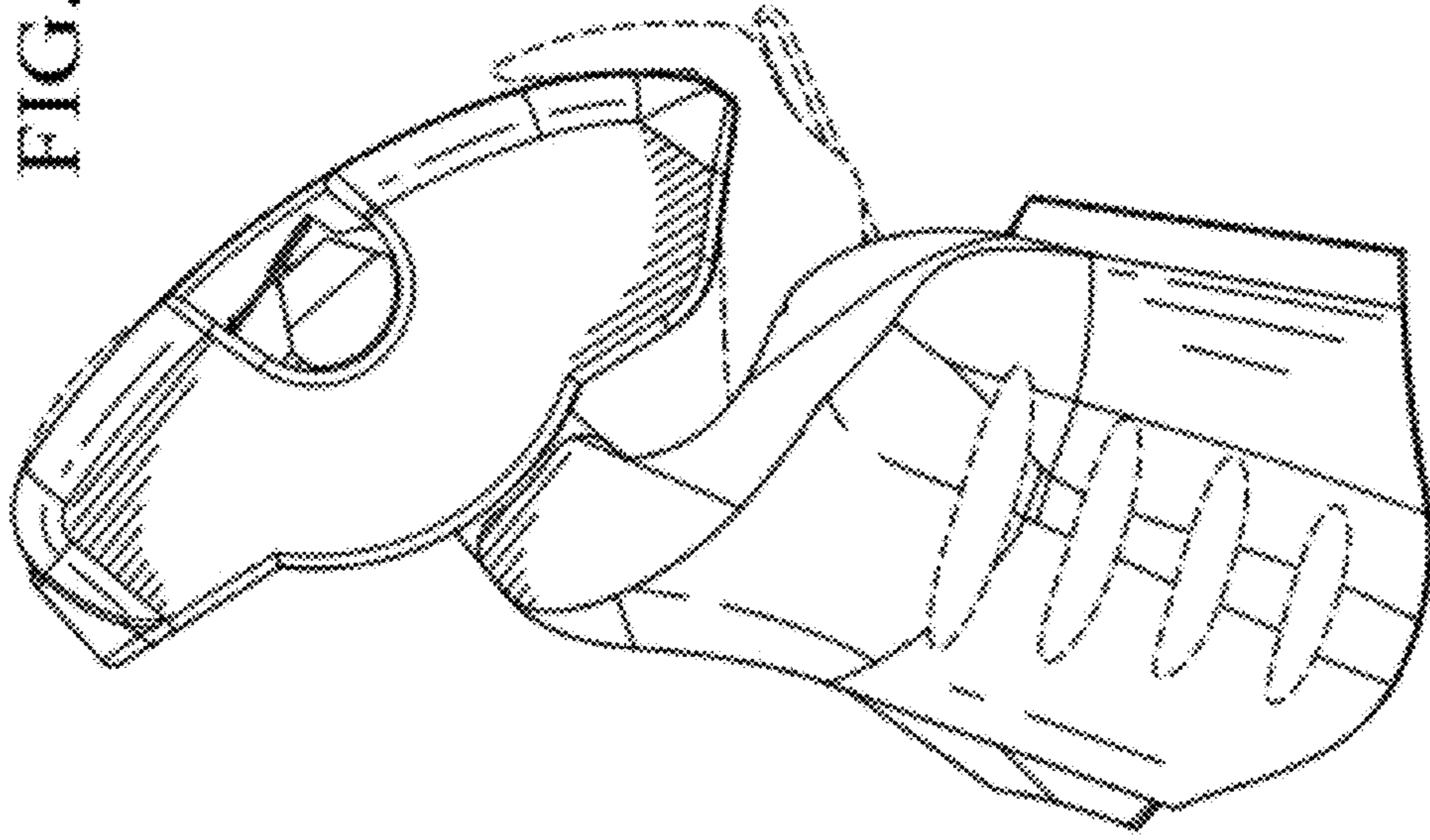


FIG. 4

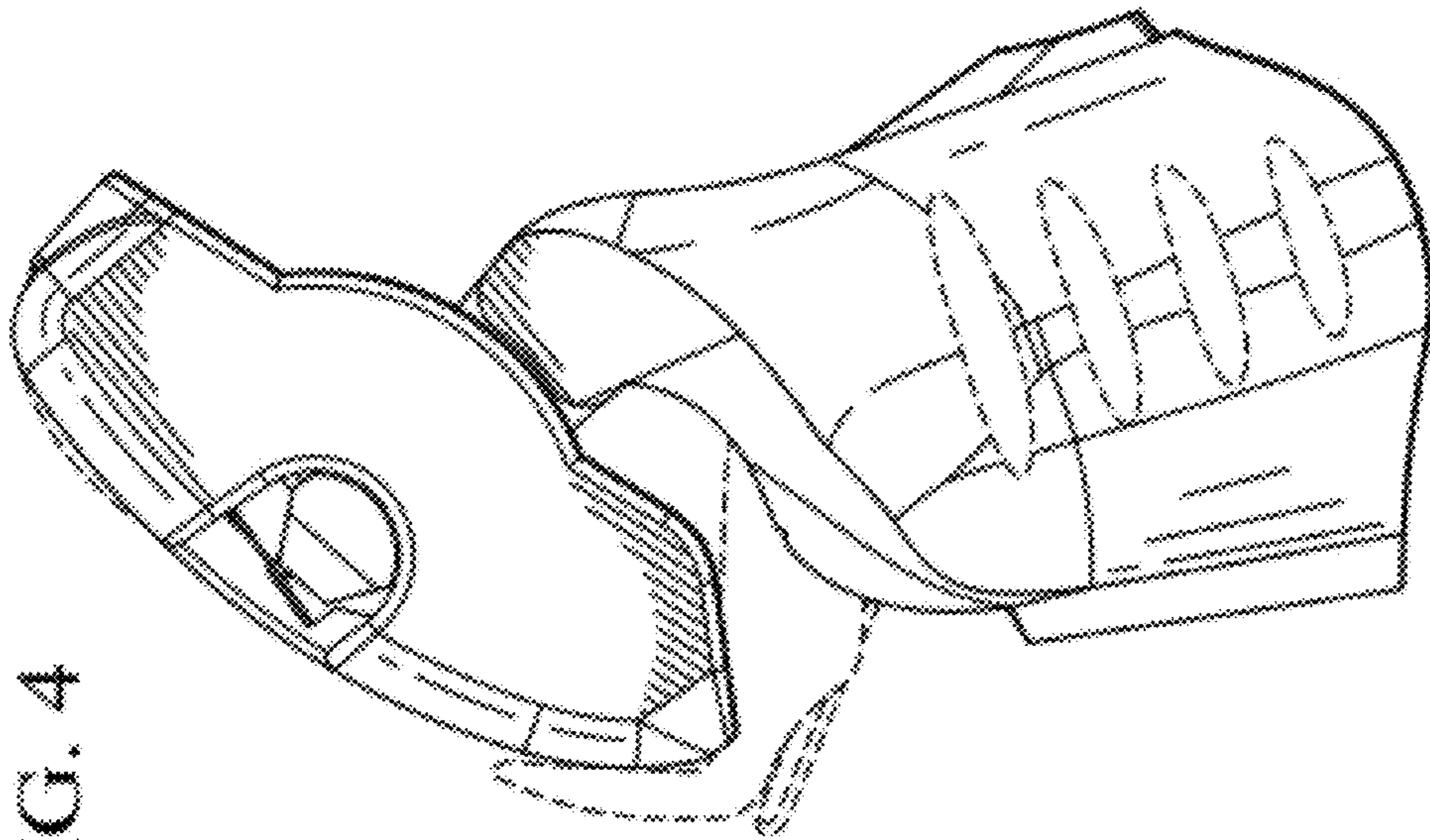


FIG. 6

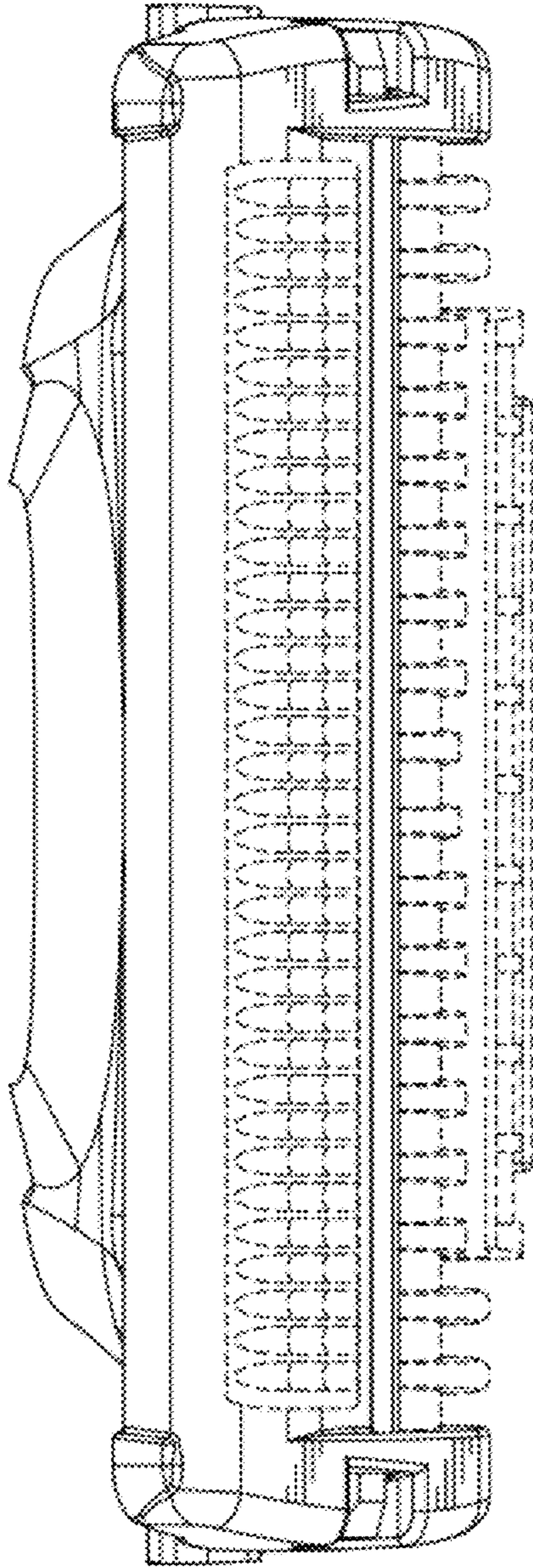


FIG. 7

