



US00D661425S

(12) **United States Design Patent**
Cataudella et al.

(10) **Patent No.:** **US D661,425 S**
(45) **Date of Patent:** **** Jun. 5, 2012**

(54) **SHAVING RAZOR**

(75) Inventors: **Matthew Corey Cataudella**, Boston, MA (US); **Kevin James Wain**, Reading (GB); **Christian Reber Wester**, Somerville, MA (US)

(73) Assignee: **The Gillette Company**, Boston, MA (US)

(**) Term: **14 Years**

(21) Appl. No.: **29/403,003**

(22) Filed: **Sep. 30, 2011**

(51) **LOC (9) Cl.** **28-03**

(52) **U.S. Cl.** **D28/46**

(58) **Field of Classification Search** D28/44-48;
30/32, 34.05, 34.1-34.2, 42-61, 77-84, 526-538,
30/346.5-346.61

See application file for complete search history.

(56) **References Cited**

U.S. PATENT DOCUMENTS

D305,265	S	*	12/1989	Motta et al.	D28/48
D325,653	S	*	4/1992	Tilley et al.	D28/48
5,689,883	A		11/1997	Ortiz et al.		
5,781,997	A		7/1998	Ferraro et al.		
D402,084	S		12/1998	Chen et al.		

D500,173	S	*	12/2004	Wakayama	D28/48
6,941,659	B2		9/2005	Gilder		
D603,098	S		10/2009	Cataudella		
D613,456	S		4/2010	Cataudella		
D624,700	S	*	9/2010	Jung	D28/46
D633,254	S		2/2011	Witkus		
D634,894	S		3/2011	Cataudella		
2011/0314678	A1	*	12/2011	Peterson	30/77
2012/0030948	A1	*	2/2012	Walker et al.	30/50

* cited by examiner

Primary Examiner — Jennifer Rivard

(74) *Attorney, Agent, or Firm* — John M. Lipchitz; Kevin C. Johnson; Steven W. Miller

(57) **CLAIM**

The ornamental design for a shaving razor, as shown and described.

DESCRIPTION

FIG. 1 is a perspective view of a shaving razor of the present invention;

FIG. 2 is a front view thereof;

FIG. 3 is a rear view thereof;

FIG. 4 is a right side view thereof;

FIG. 5 is a left side view thereof;

FIG. 6 is a top view thereof; and,

FIG. 7 is a bottom view thereof.

The broken lines are shown for illustrative purposes only and form no part of the claimed design.

1 Claim, 5 Drawing Sheets

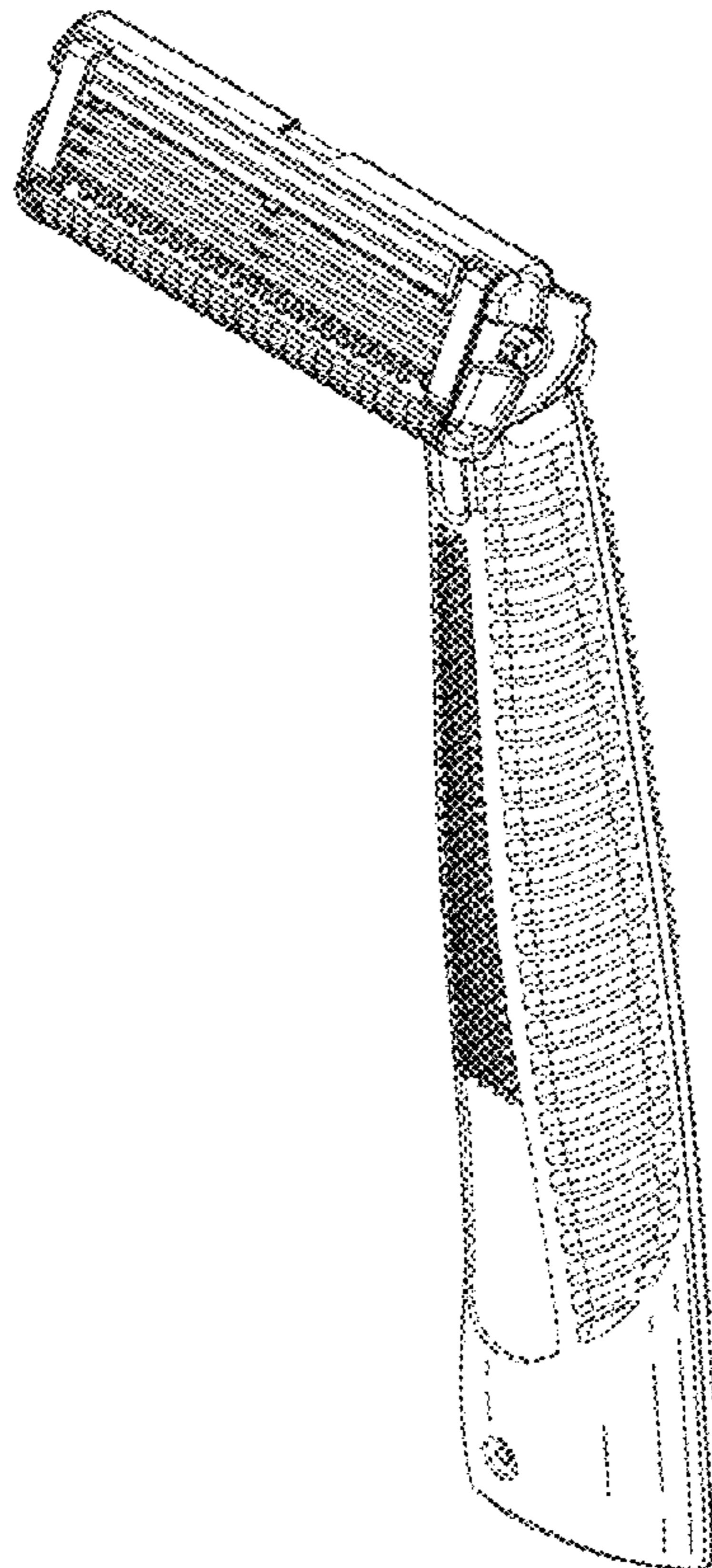


FIG. 1

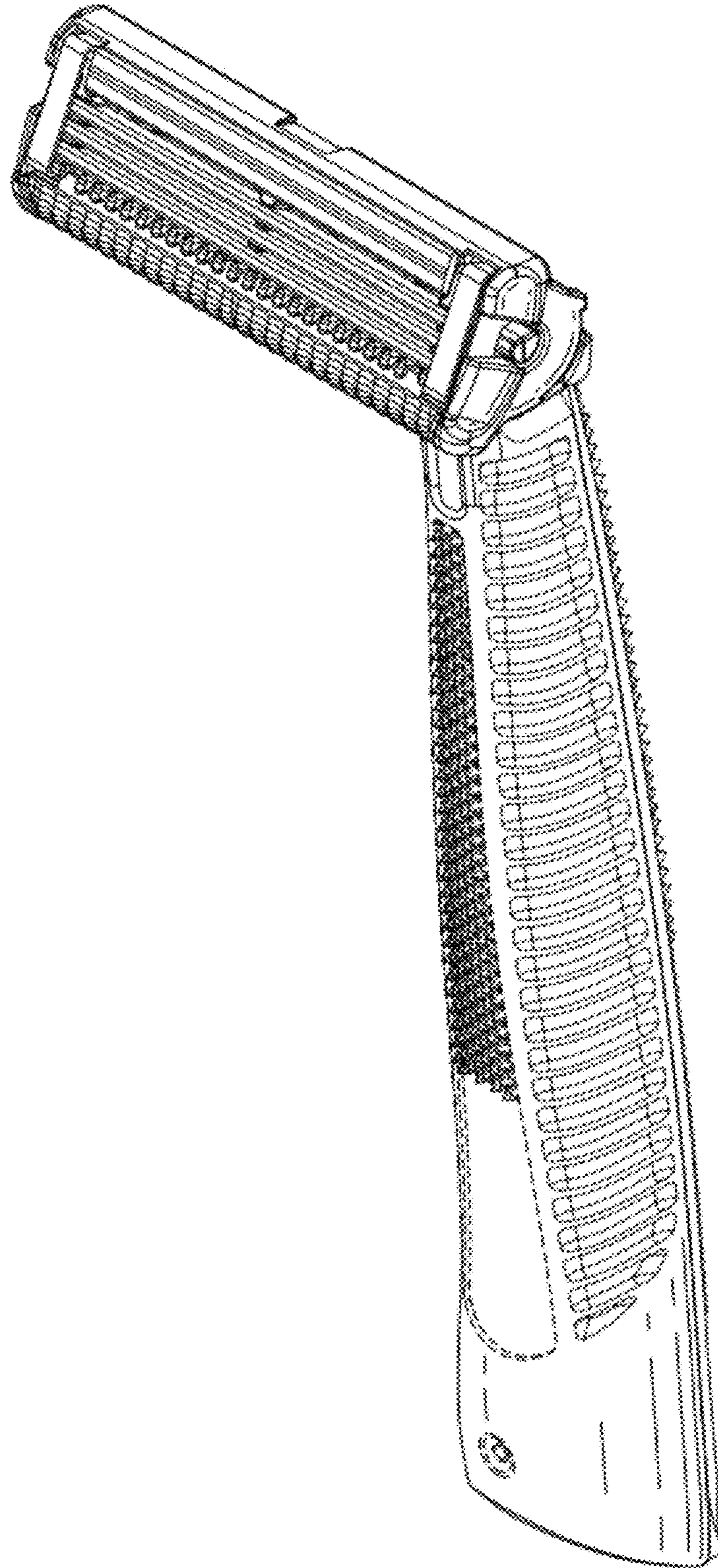


FIG. 2

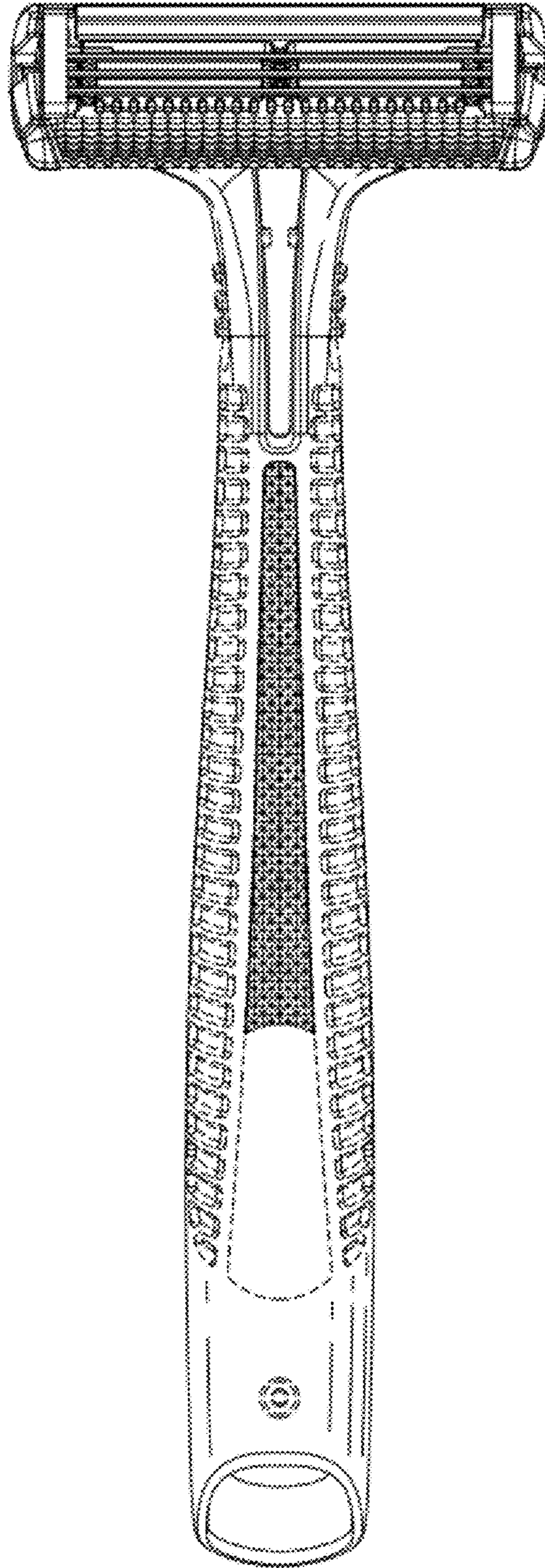
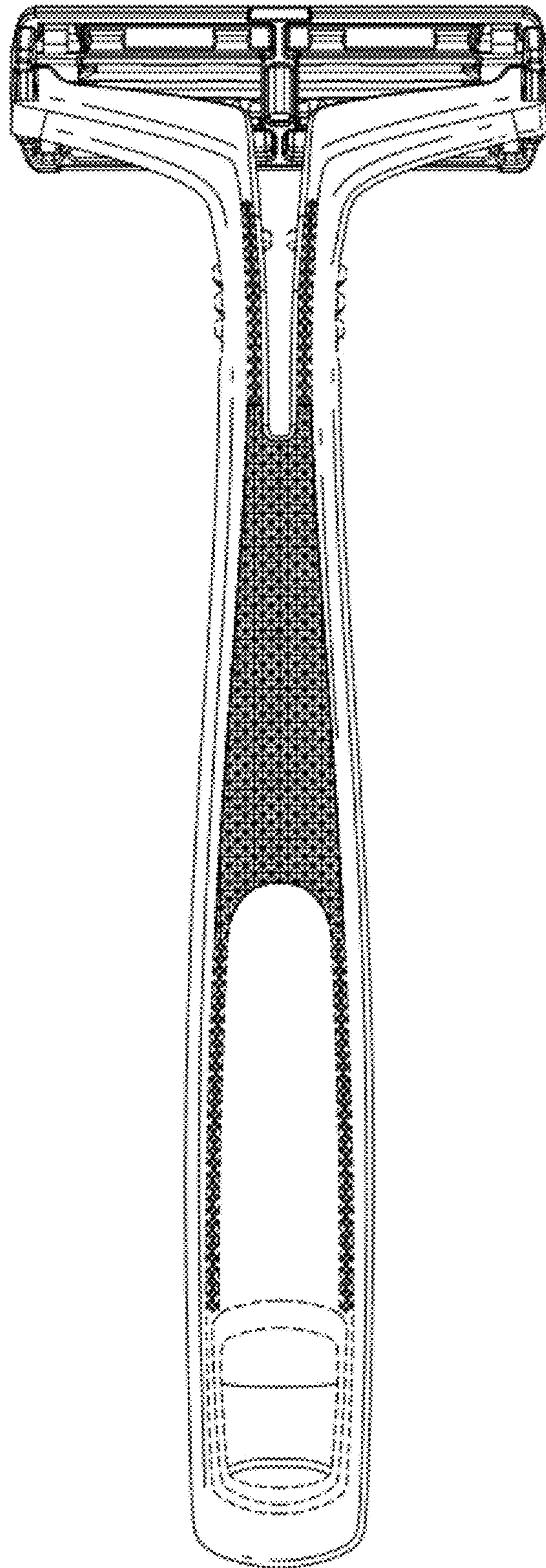
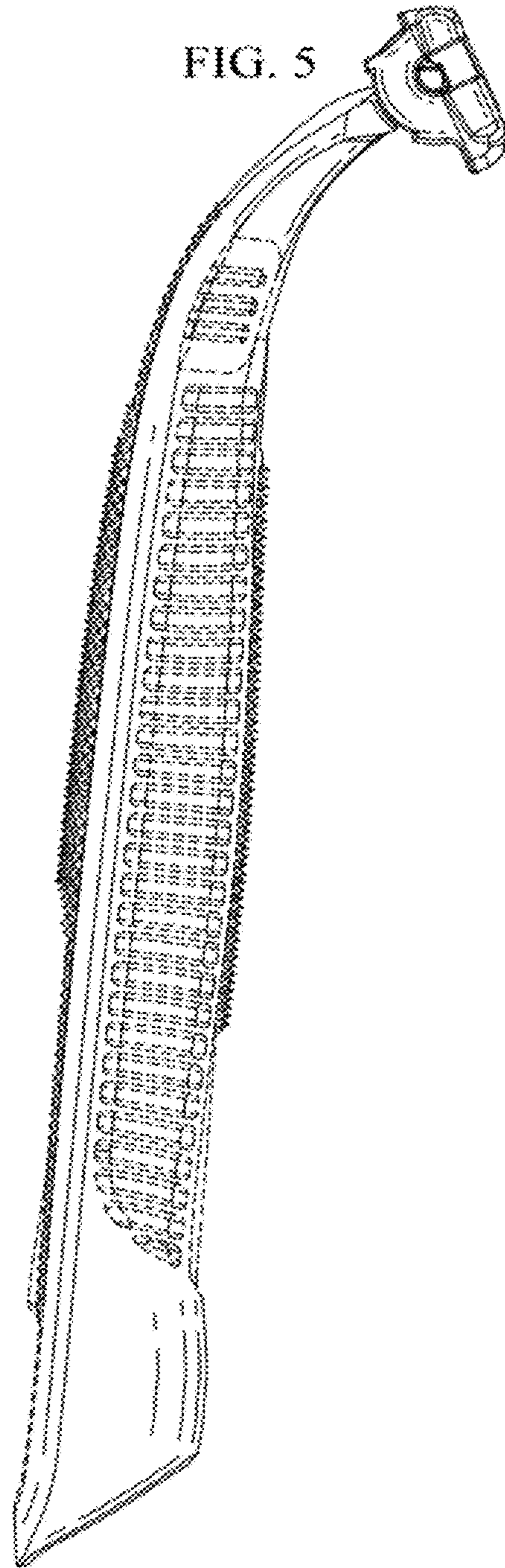
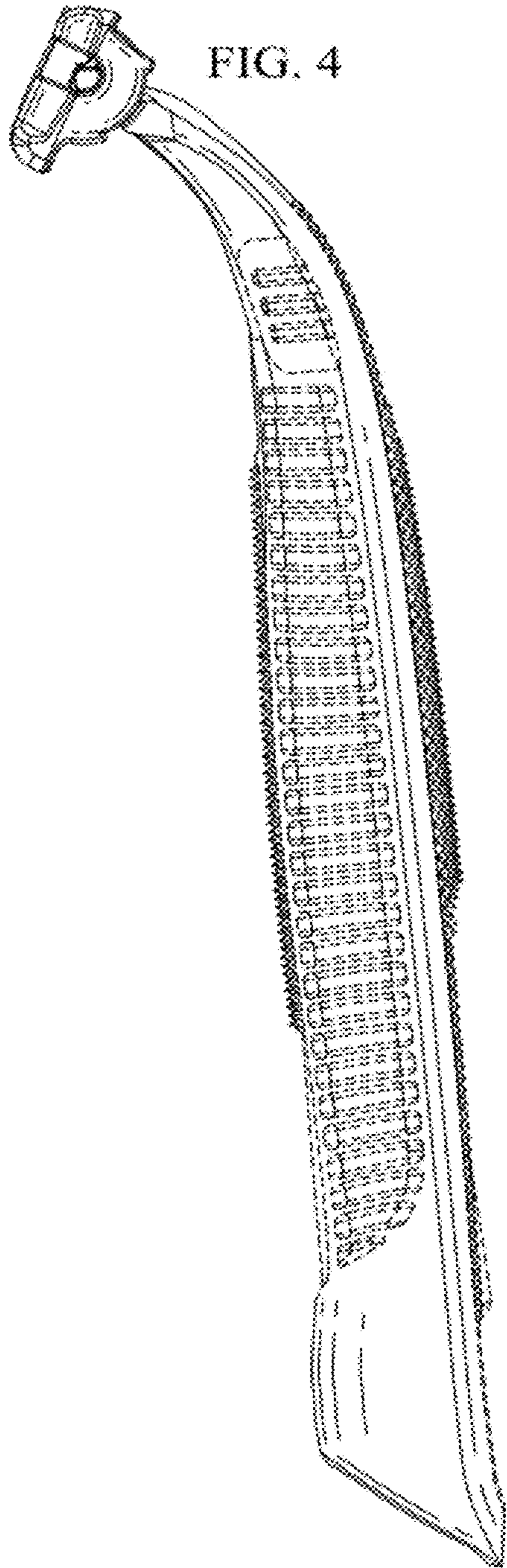


FIG. 3





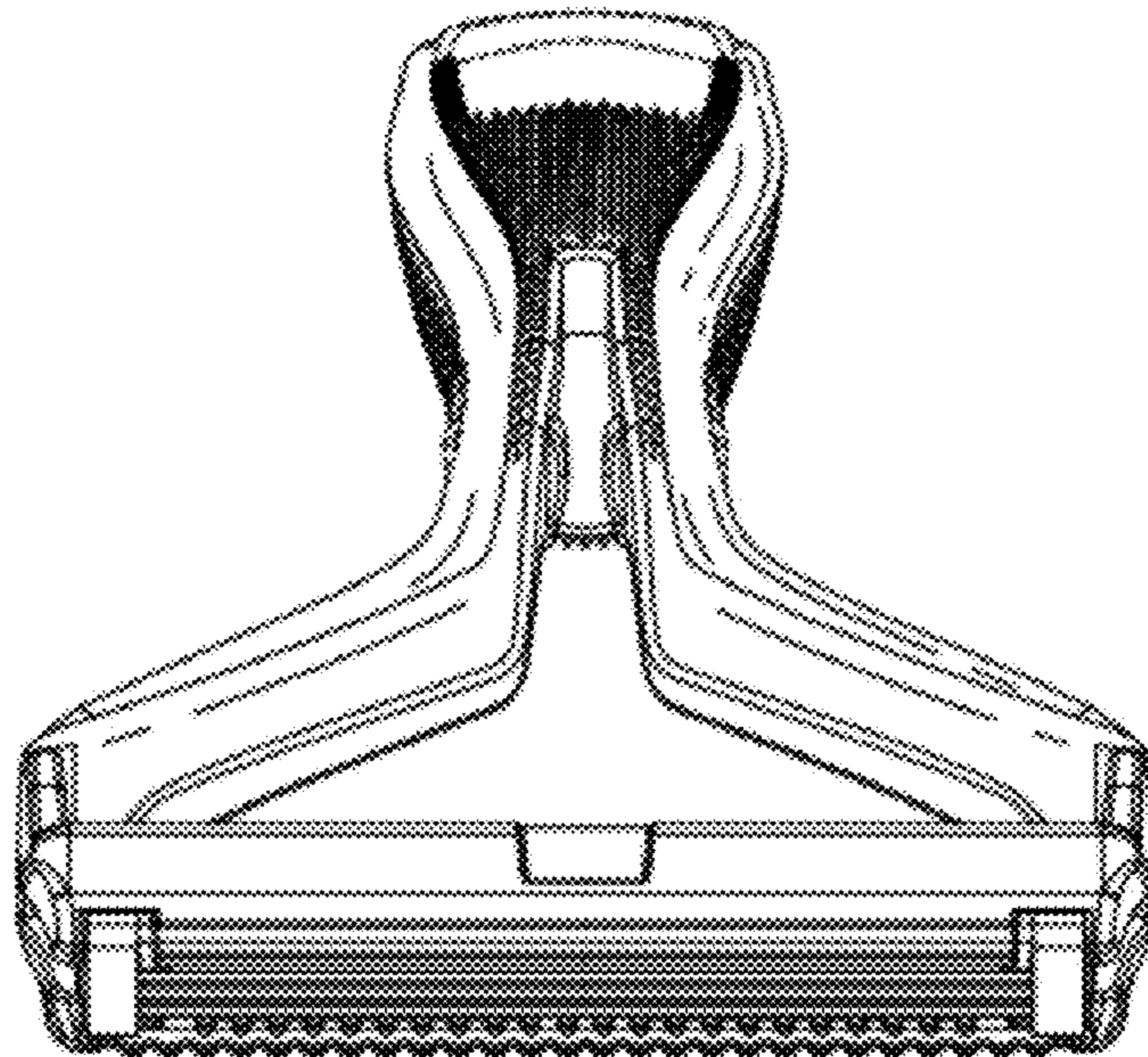


FIG. 6

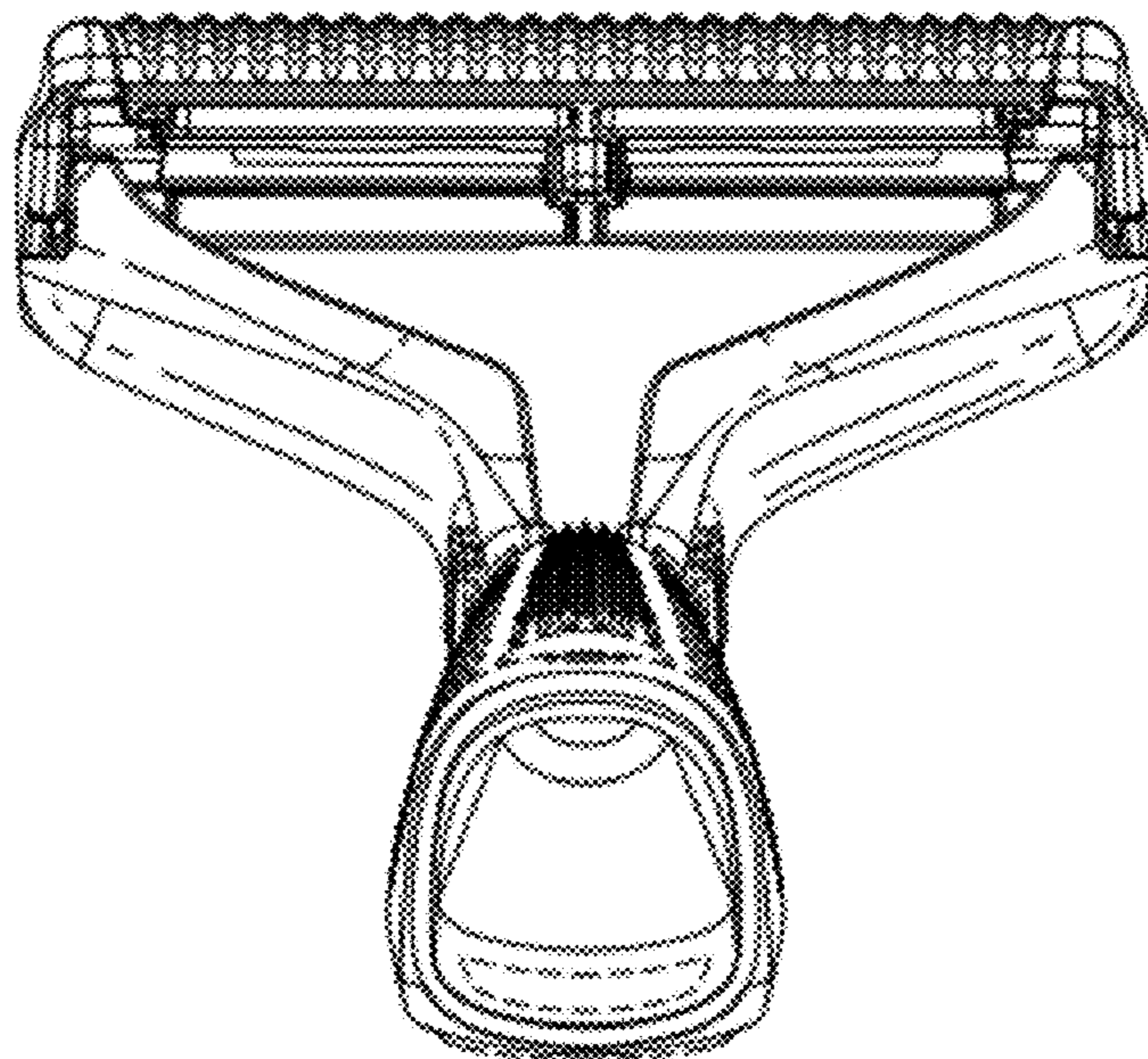


FIG. 7