

US00D661424S

(12) **United States Design Patent**
Ferguson et al.

(10) **Patent No.:** **US D661,424 S**
(45) **Date of Patent:** **** Jun. 5, 2012**

(54) **LIGHTING FIXTURE**
(75) Inventors: **Christopher J. Ferguson**, Westchester, IL (US); **Michael T. Thornton**, Burr Ridge, IL (US)
(73) Assignee: **Focal Point, L.L.C.**, Chicago, IL (US)
(**) Term: **14 Years**

3,246,137 A * 4/1966 Zagel 362/218
3,697,743 A * 10/1972 Eargle 362/260
3,810,085 A * 5/1974 Woloski 362/277
3,838,268 A * 9/1974 Fabbri 362/218
4,039,820 A * 8/1977 Materese 362/223
D292,322 S * 10/1987 Krol D26/75
D511,852 S * 11/2005 Benensohn D26/76
D561,930 S * 2/2008 Hukle et al. D26/120
D597,241 S * 7/2009 Fabbri et al. D26/74

(Continued)

(21) Appl. No.: **29/394,754**
(22) Filed: **Jun. 21, 2011**
(51) **LOC (9) Cl.** **26-99**
(52) **U.S. Cl.** **D26/120**
(58) **Field of Classification Search** 40/617, 40/553, 592; D16/101; D13/179, 180; D9/457; D12/400; D8/354, 382; D10/11; D11/79, D11/129, 125, 128, 126, 127, 124, 121, 122, D11/123; D30/133; D6/462, 403; D20/41, D20/42, 10; D25/100, 106; 362/343, 362, 362/246, 260, 256, 223, 125, 565, 647, 350, 362/102; D26/96, 95, 91, 92, 93, 28, 26, D26/27, 144, 131, 94, 126, 24, 25, 140, 141, D26/142, 143, 71, 72, 73, 74, 75, 76, 77, D26/78, 79, 81, 113, 118, 119, 120, 121, D26/122, 39, 138, 135, 139, 145, 155, 154, D26/63, 64, 65, 66, 67, 68, 84, 85, 83, 82, D26/1, 2, 3, 86, 88, 132, 133, 134, 60, 61, D26/62, 123, 124, 125
See application file for complete search history.

OTHER PUBLICATIONS

Cooper Lighting, "Neo-Ray/ 22DR Straight & Narrow Gen II," www.cooperlighting.com, May 28, 2010, pp. 1-2, Peachtree City, GA.

(Continued)

Primary Examiner — Kevin Rudzinski
(74) *Attorney, Agent, or Firm* — Banner & Witcoff, Ltd.

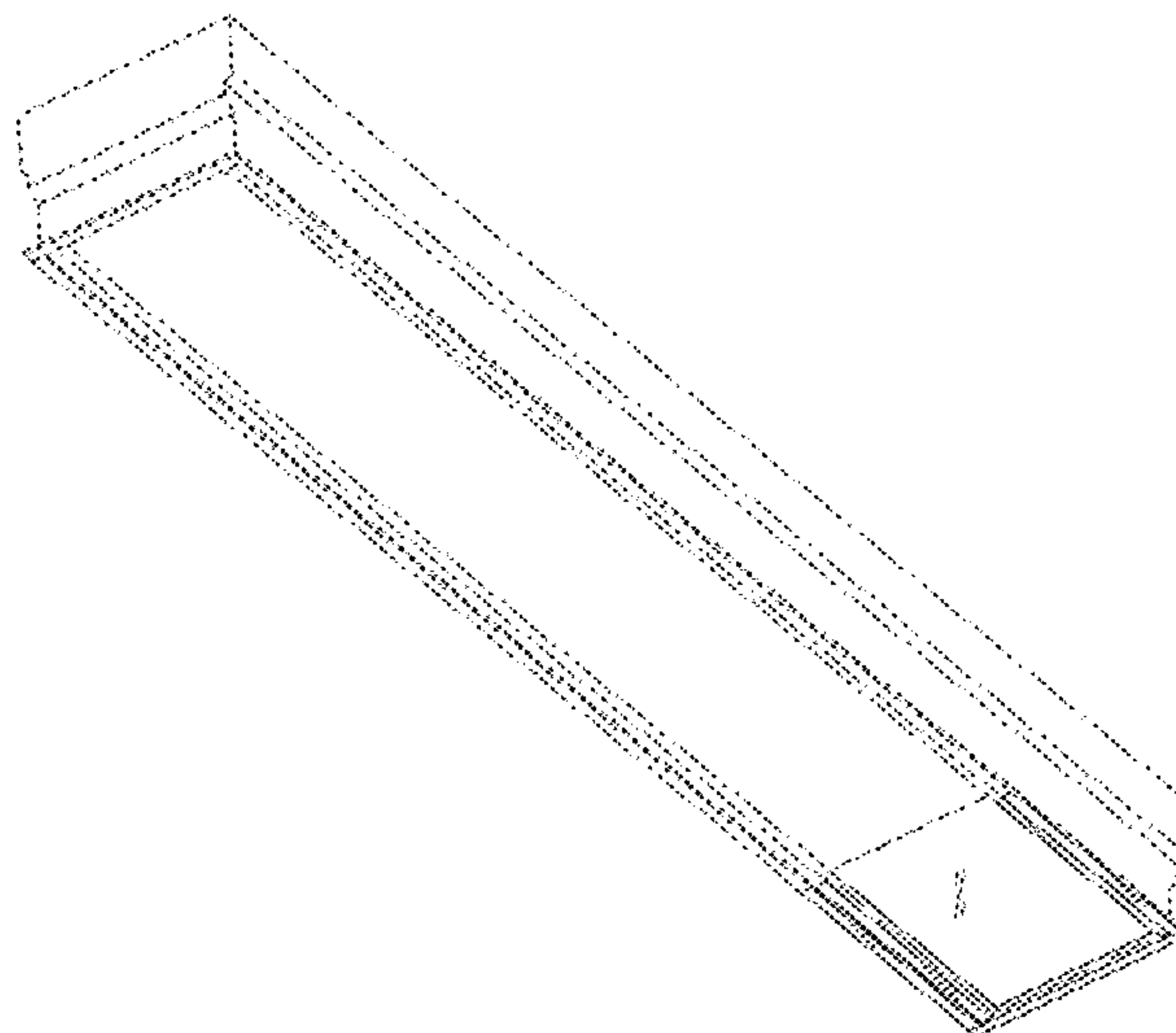
(57) **CLAIM**
The ornamental design for a lighting fixture, as shown and described.

DESCRIPTION

FIG. 1 is a bottom, front, right perspective view of a lighting fixture showing our new design; FIG. 2 is a bottom view thereof; FIG. 3 is a top view thereof; FIG. 4 is a right side view thereof; FIG. 5 is a left side view thereof; FIG. 6 is a front view thereof; FIG. 7 is a rear view thereof; FIG. 8 is a bottom, front perspective view thereof; FIG. 9 is a top, right, rear perspective view thereof; and, FIG. 10 is an enlarged and partial bottom, front, right perspective view thereof.
The uneven-length broken lines represent unclaimed boundaries of the claimed design.
The even-length broken lines showing the remainder of the lighting fixture form no part of the claimed design.

1 Claim, 6 Drawing Sheets

(56) **References Cited**
U.S. PATENT DOCUMENTS
2,701,840 A * 2/1955 Carlson 362/368
2,791,681 A * 5/1957 Evans et al. 362/374
2,873,358 A * 2/1959 Dunker 362/267
2,991,708 A * 7/1961 Falk et al. 454/293
2,997,321 A * 8/1961 Bobrick 292/91
D195,012 S * 4/1963 Hoyle D23/388
3,134,498 A * 5/1964 Lessner et al. 220/3.8
3,169,467 A * 2/1965 Archer 454/295



US D661,424 S

Page 2

U.S. PATENT DOCUMENTS

D602,188 S * 10/2009 Fabbri et al. D26/74
7,635,198 B2 * 12/2009 Mayfield et al. 362/220
D608,933 S * 1/2010 Castelli D26/76
7,950,833 B1 * 5/2011 Crane et al. 362/404
D643,572 S * 8/2011 Lown et al. D26/120
D645,192 S * 9/2011 Chung et al. D26/75

OTHER PUBLICATIONS

Columbia Lighting, "Recessed Architectural/ZPT14," www.columbialighting.com, Sep. 28, 2010, pp. 1-2, Greenville, SC.
Cooper Lighting, "Neo-Ray/Series 7," www.cooperlighting.com, Dec. 2, 2010, pp. 1-2, Peachtree City, GA.

Cooper Lighting, "Fail-Safe/SGI," www.cooperlighting.com, Oct. 12, 2010, pp. 1-2, Peachtree City, GA.

Cooper Lighting, "Fail-Safe/MAO," www.cooperlighting.com, Mar. 25, 2011, pp. 1-2, Peachtree City, GA.

Focal Point, "avenue 6," www.focalpointlights.com, Apr. 2011, pp. 1-4, Chicago, IL.

Lithonia Lighting, "2VTLED," www.lithonia.com, Jun. 8, 2011, pp. 1-2, Conyers, GA.

Cooper Lighting, "Corelite/R Mini Frosted Prismatic Lens," www.cooperlighting.com, Jun. 17, 2011, p. 1, Peachtree City, GA.

* cited by examiner

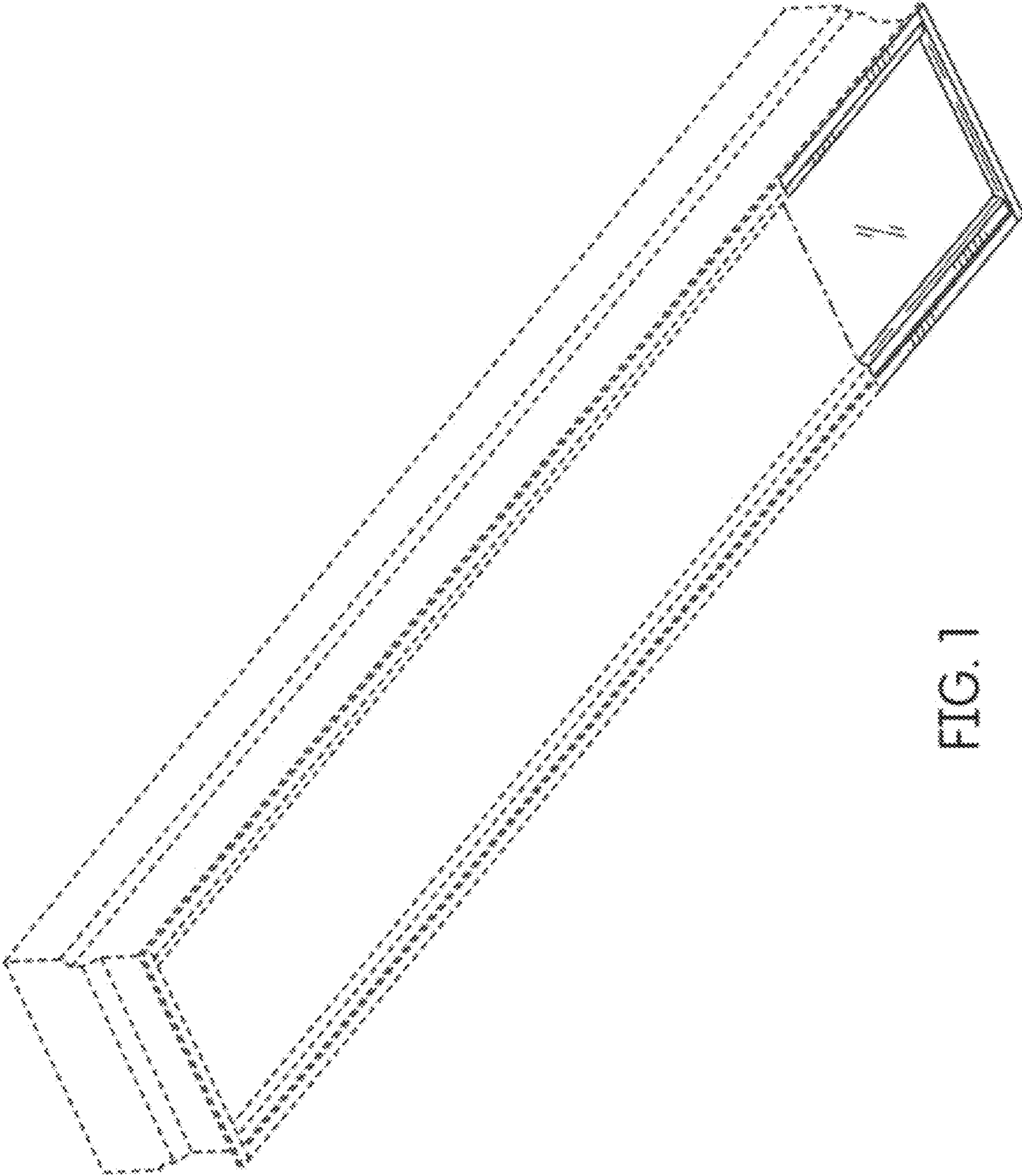


FIG. 1

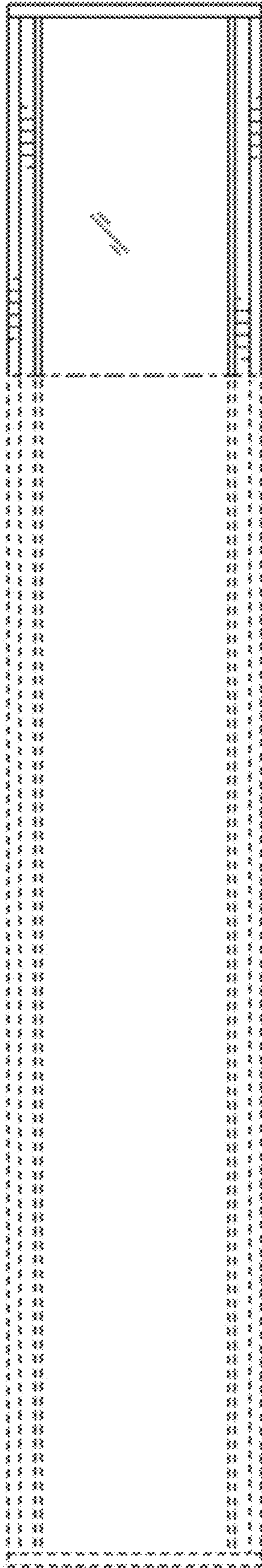


FIG. 2

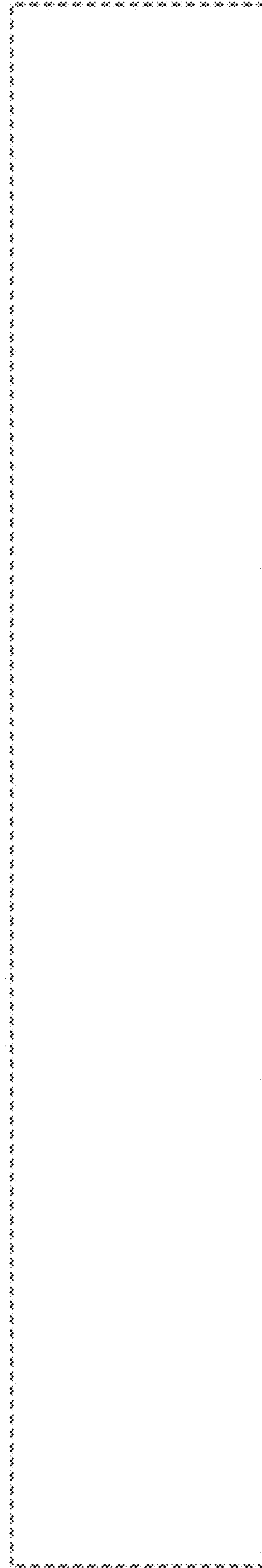


FIG. 3

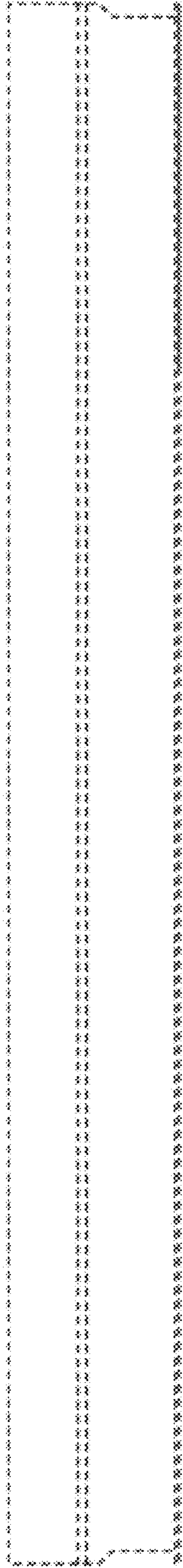


FIG. 4

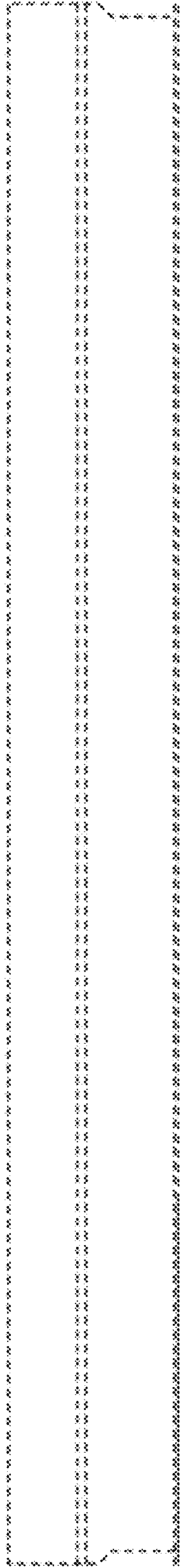


FIG. 5

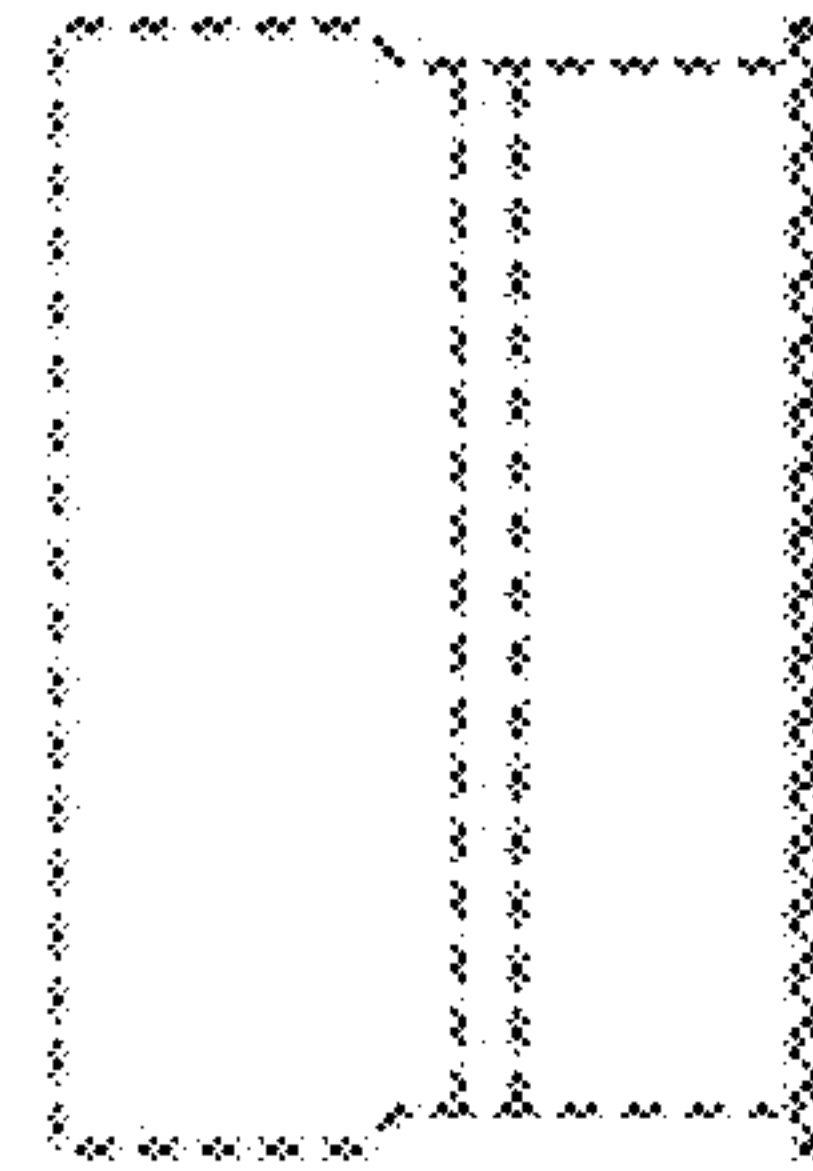


FIG. 6

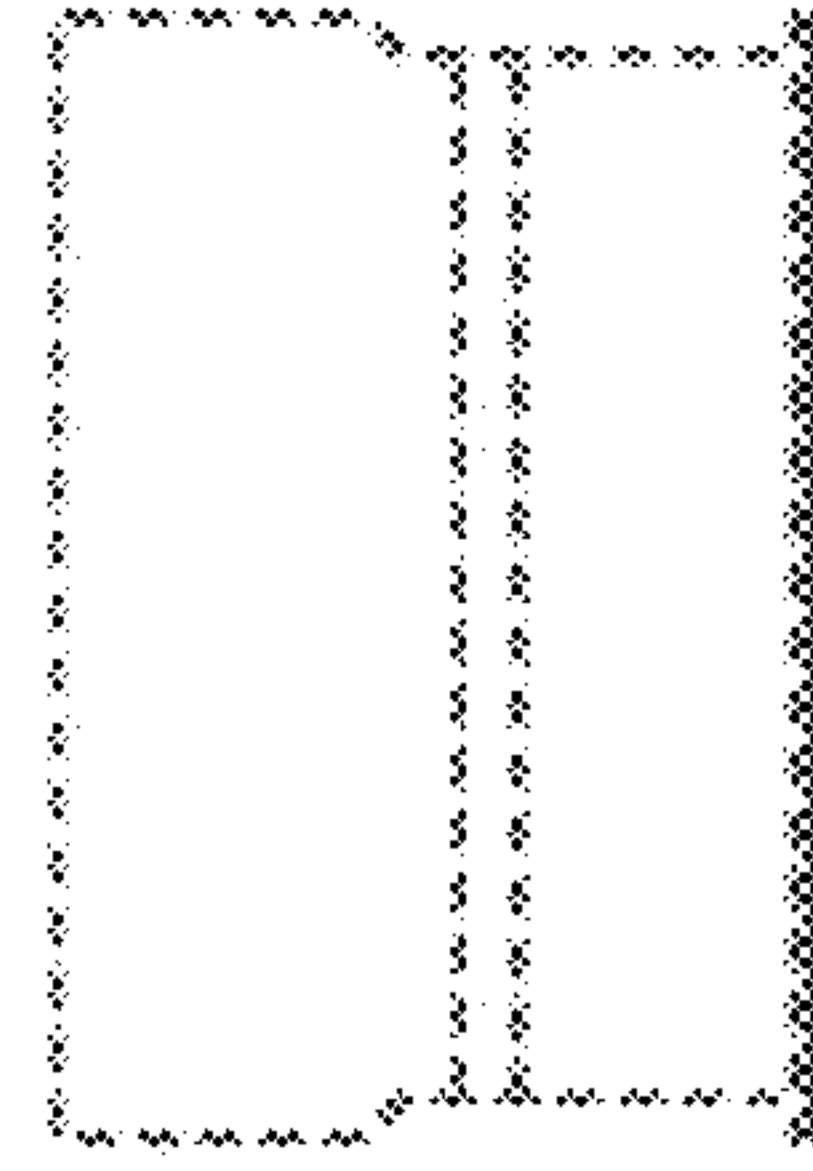


FIG. 7

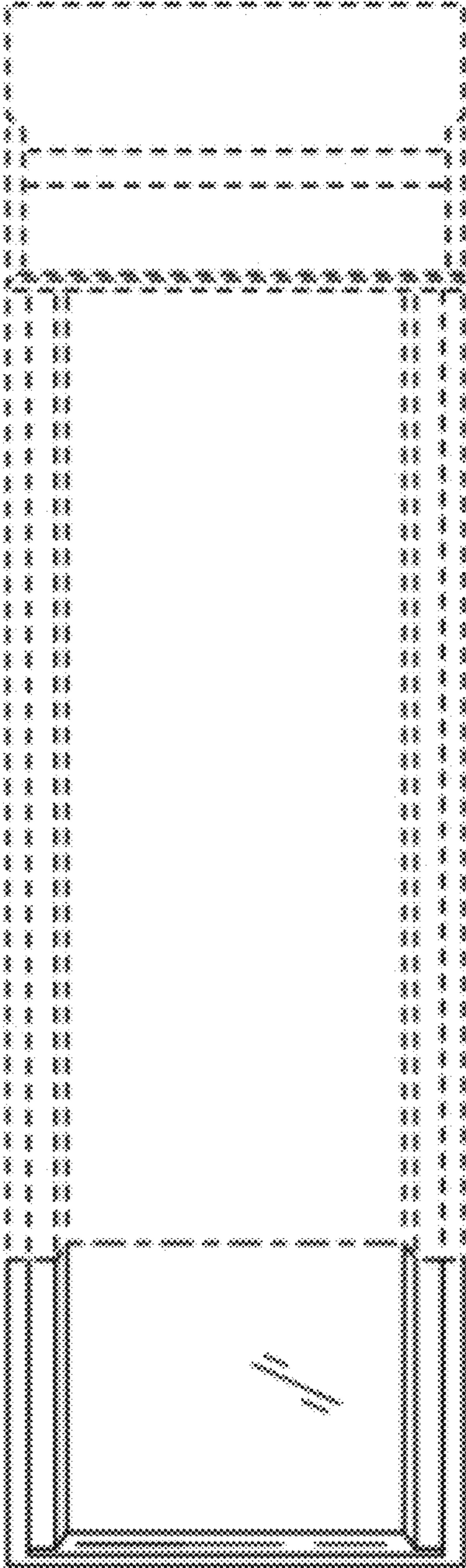


FIG. 8

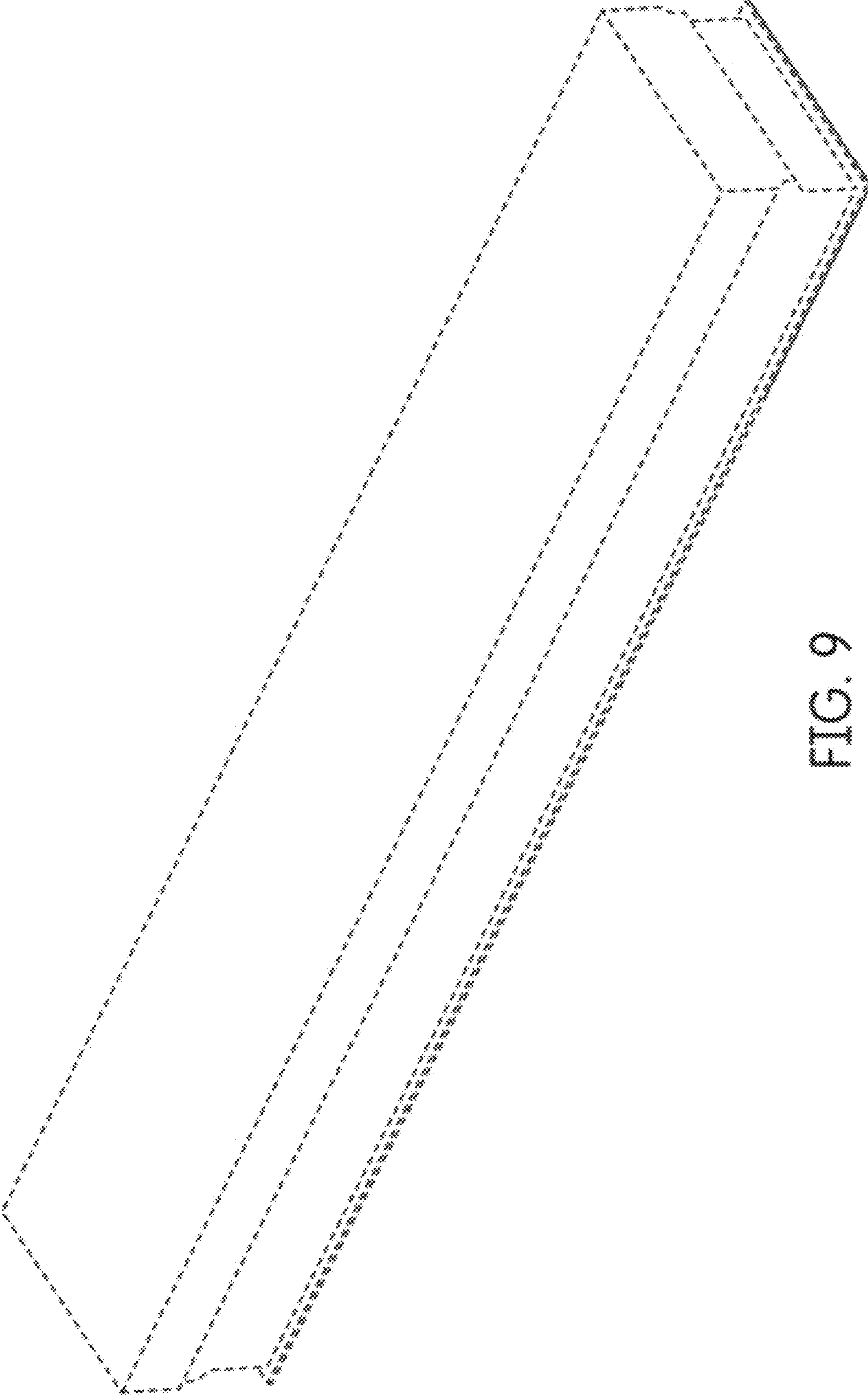


FIG. 9

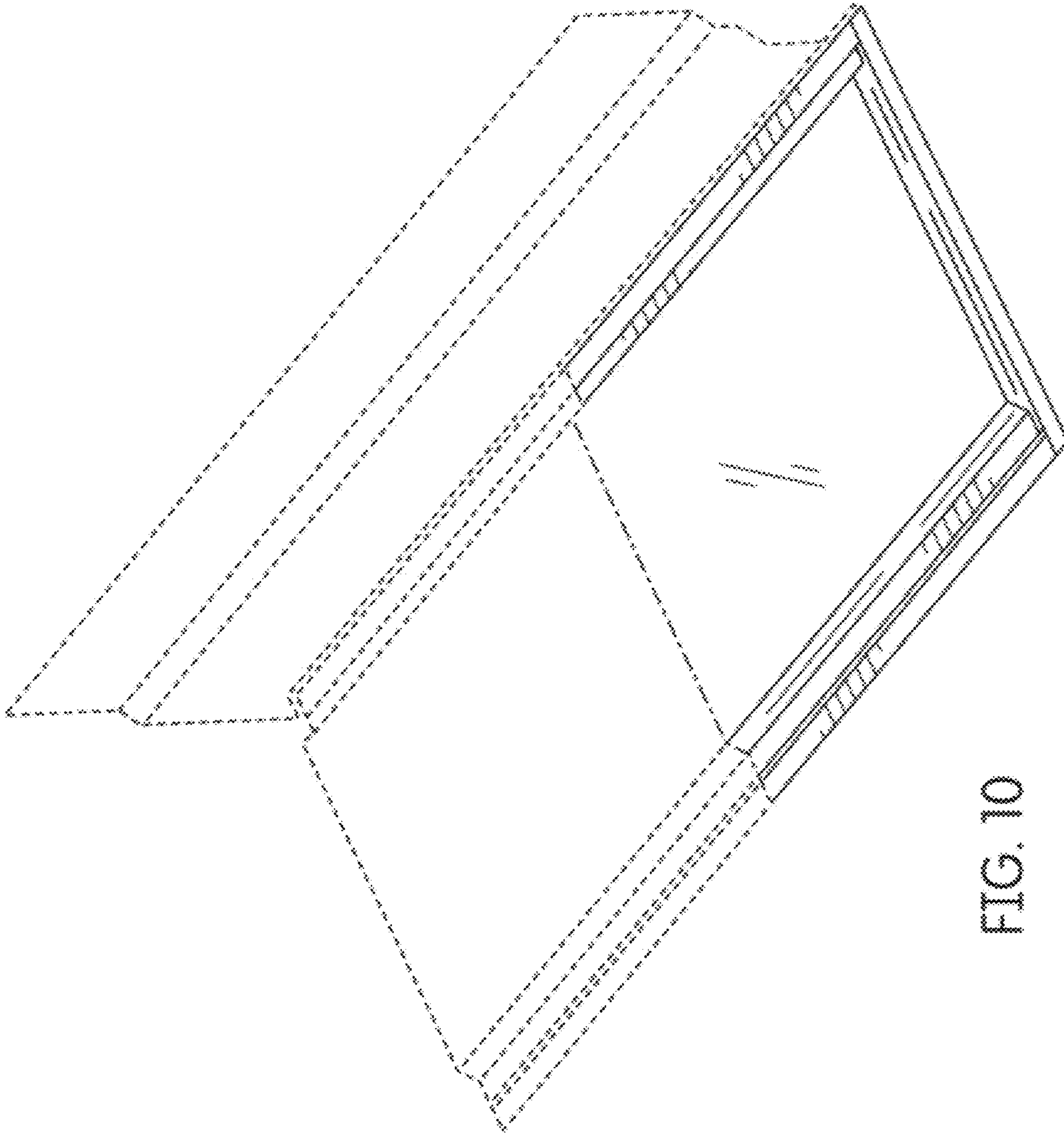


FIG. 10