



US00D661423S

(12) **United States Design Patent**
Ferguson et al.

(10) **Patent No.:** **US D661,423 S**
(45) **Date of Patent:** **** Jun. 5, 2012**

(54) **LIGHTING FIXTURE**

(75) Inventors: **Christopher J. Ferguson**, Westchester, IL (US); **Michael T. Thornton**, Burr Ridge, IL (US)

(73) Assignee: **Focal Point, L.L.C.**, Chicago, IL (US)

(**) Term: **14 Years**

(21) Appl. No.: **29/394,751**

(22) Filed: **Jun. 21, 2011**

(51) **LOC (9) Cl.** **26-99**

(52) **U.S. Cl.** **D26/120**

(58) **Field of Classification Search** 40/617, 40/553, 592; D16/101; D13/179, 180; D9/457; D12/400; D8/354, 382; D10/11; D11/79, D11/129, 125, 128, 126, 127, 124, 121, 122, D11/123; D30/133; D6/462, 403; D20/41, D20/42, 10; D25/100, 106; 362/343, 362, 362/246, 260, 256, 223, 125, 565, 647, 350, 362/102; D26/96, 95, 91, 92, 93, 28, 26, D26/27, 144, 131, 94, 126, 24, 25, 140, 141, D26/142, 143, 71, 72, 73, 74, 75, 76, 77, D26/78, 79, 81, 113, 118, 119, 120, 121, D26/122, 39, 138, 135, 139, 145, 155, 154, D26/63, 64, 65, 66, 67, 68, 84, 85, 83, 82, D26/1, 2, 3, 86, 88, 132, 133, 134, 60, 61, D26/62, 123, 124, 125

See application file for complete search history.

(56) **References Cited**

U.S. PATENT DOCUMENTS

2,701,840	A *	2/1955	Carlson	362/368
2,791,681	A *	5/1957	Evans et al.	362/374
2,873,358	A *	2/1959	Dunker	362/267
2,991,708	A *	7/1961	Falk et al.	454/293
2,997,321	A *	8/1961	Bobrick	292/91
D195,012	S *	4/1963	Hoyle	D23/388
3,134,498	A *	5/1964	Lessner et al.	220/3.8
3,169,467	A *	2/1965	Archer	454/295

3,246,137	A *	4/1966	Zagel	362/218
3,697,743	A *	10/1972	Eargle	362/260
3,810,085	A *	5/1974	Woloski	362/277
3,838,268	A *	9/1974	Fabbri	362/218
4,039,820	A *	8/1977	Materese	362/223
D292,322	S *	10/1987	Krol	D26/75
D511,852	S *	11/2005	Benensohn	D26/76
D561,930	S *	2/2008	Hukle et al.	D26/120
D597,241	S *	7/2009	Fabbri et al.	D26/74

(Continued)

OTHER PUBLICATIONS

Cooper Lighting, "Neo-Ray/ 22DR Straight & Narrow Gen II," www.cooperlighting.com, May 28, 2010, pp. 1-2, Peachtree City, GA.

(Continued)

Primary Examiner — Kevin Rudzinski

(74) *Attorney, Agent, or Firm* — Banner & Witcoff, Ltd.

(57) **CLAIM**

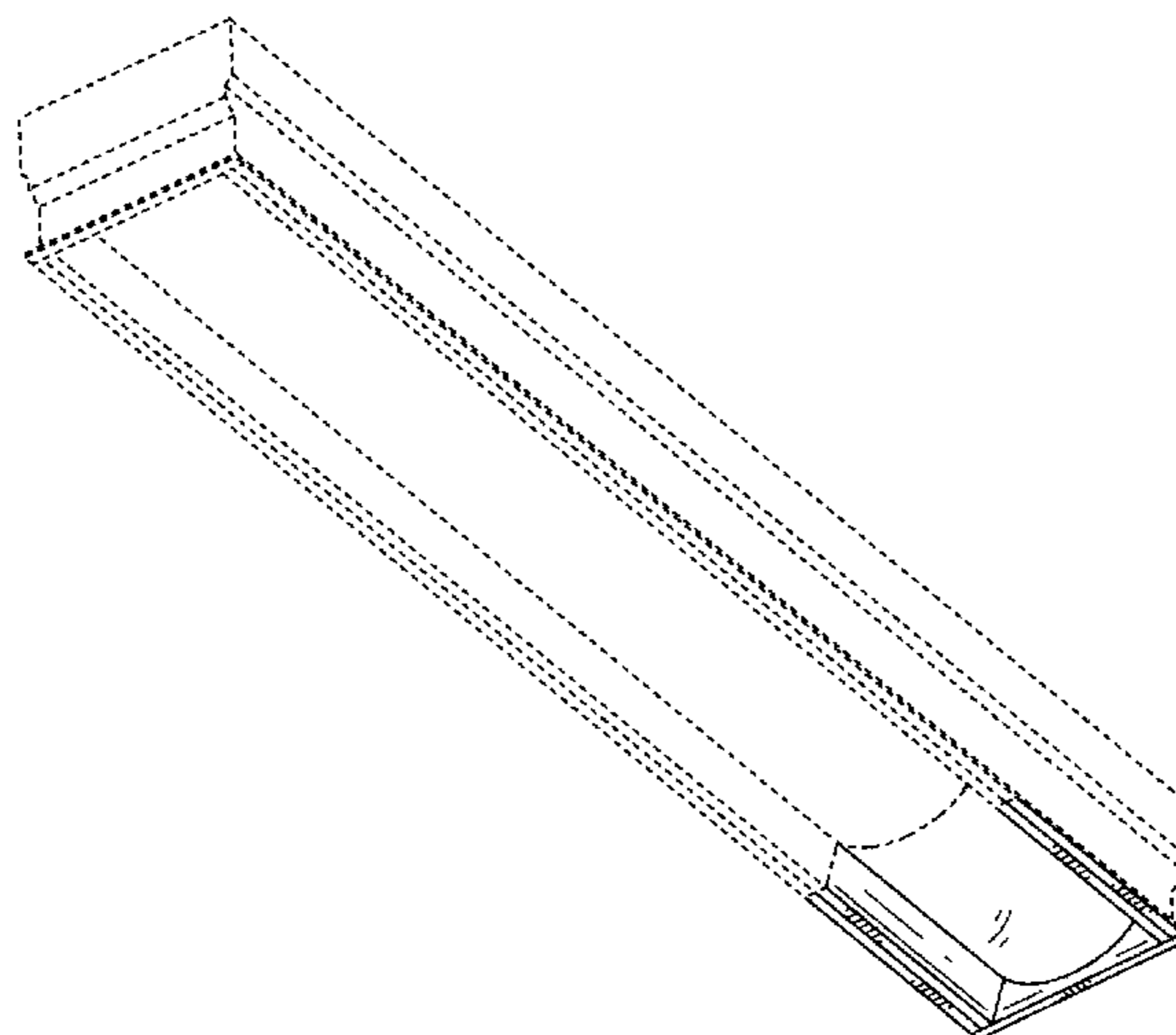
The ornamental design for a lighting fixture, as shown and described.

DESCRIPTION

FIG. 1 is a bottom, front, right perspective view of a lighting fixture showing our new design; FIG. 2 is a bottom view thereof; FIG. 3 is a top view thereof; FIG. 4 is a right side view thereof; FIG. 5 is a left side view thereof; FIG. 6 is a front view thereof; FIG. 7 is a rear view thereof; FIG. 8 is a bottom, front perspective view thereof; FIG. 9 is a top, right, rear perspective view thereof; and, FIG. 10 is an enlarged and partial bottom, front, right perspective view thereof.

The uneven-length broken lines represent the bounds of the claimed design. The even-length broken lines shown in the drawings illustrate portions of the lighting fixture. All broken lines form no part of the claimed design.

1 Claim, 6 Drawing Sheets



U.S. PATENT DOCUMENTS

D602,188 S * 10/2009 Fabbri et al. D26/74
7,635,198 B2 * 12/2009 Mayfield et al. 362/220
D608,933 S * 1/2010 Castelli D26/76
7,950,833 B1 * 5/2011 Crane et al. 362/404
D643,572 S * 8/2011 Lown et al. D26/120
D645,192 S * 9/2011 Chung et al. D26/75

OTHER PUBLICATIONS

Columbia Lighting, "Recessed Architectural/ZPT14," www.columbialighting.com, Sep. 28, 2010, pp. 1-2, Greenville, SC.
Cooper Lighting, "Neo-Ray/Series 7," www.cooperlighting.com, Dec. 2, 2010, pp. 1-2, Peachtree City, GA.

Cooper Lighting, "Fail-Safe/SGI," www.cooperlighting.com, Oct. 12, 2010, pp. 1-2, Peachtree City, GA.

Cooper Lighting, "Fail-Safe/MAO," www.cooperlighting.com, Mar. 25, 2011, pp. 1-2, Peachtree City, GA.

Focal Point, "avenue 6," www.focalpointlights.com, Apr. 2011, pp. 1-4, Chicago, IL.

Lithonia Lighting, "2VTLED," www.lithonia.com, Jun. 8, 2011, pp. 1-2, Conyers, GA.

Cooper Lighting, "Corelite/R Mini Frosted Prismatic Lens," www.cooperlighting.com, Jun. 17, 2011, p. 1, Peachtree City, GA.

* cited by examiner

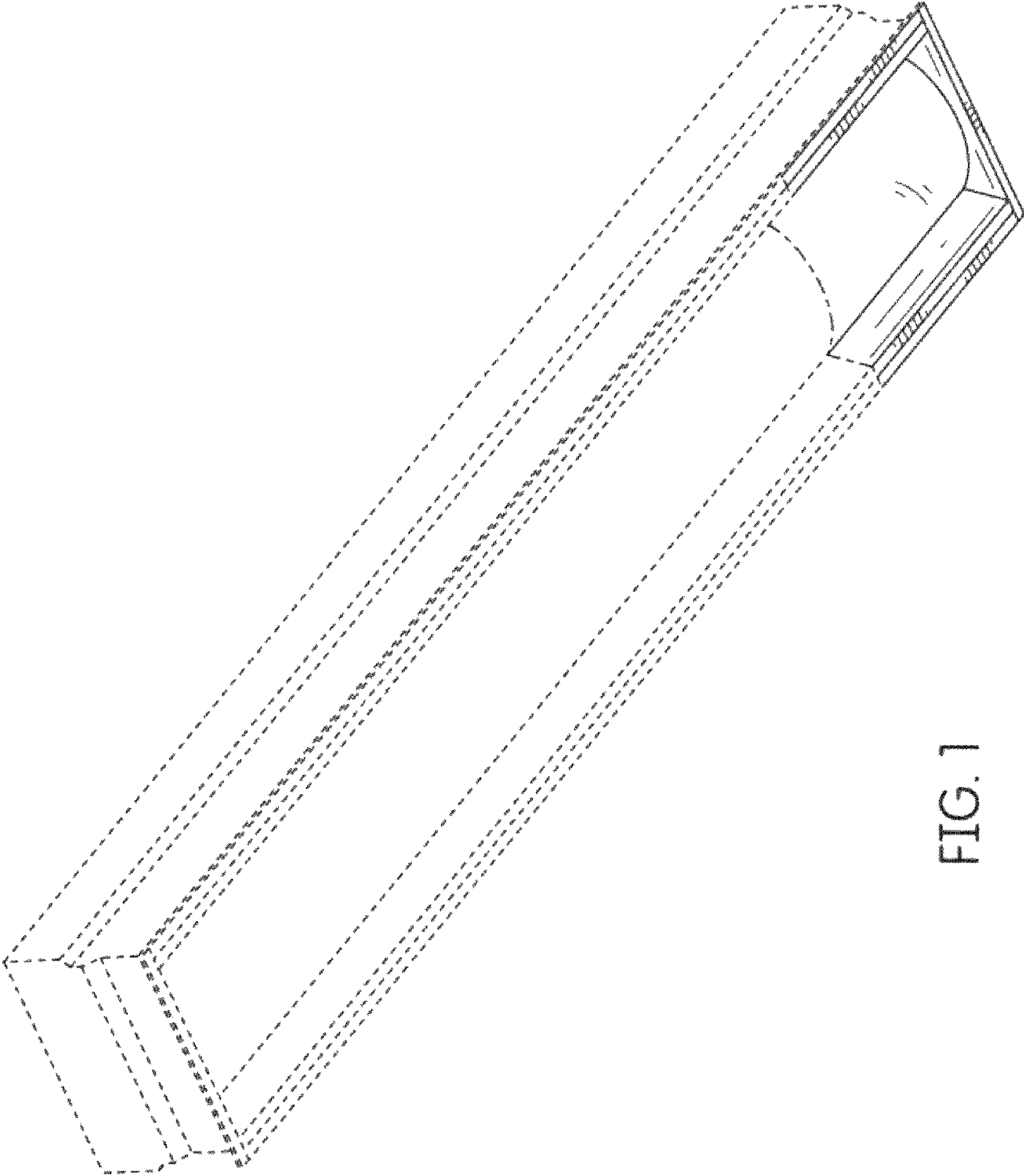


FIG. 1



FIG. 2



FIG. 3

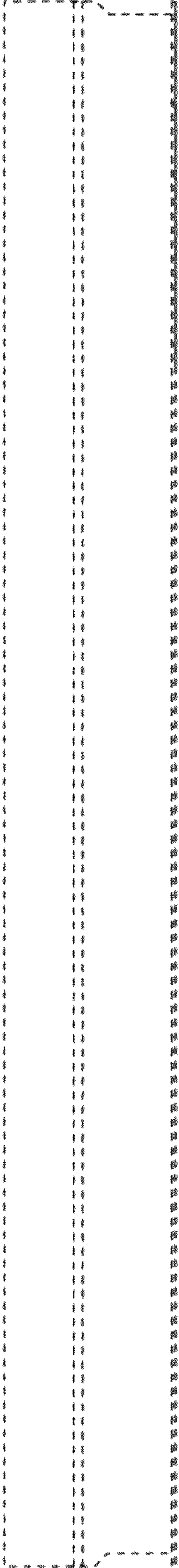


FIG. 4

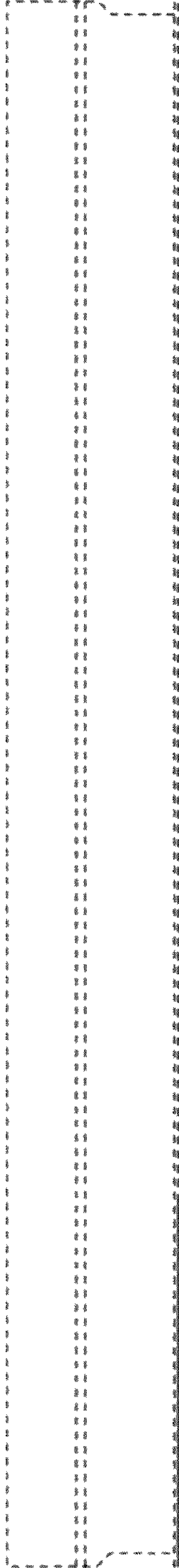


FIG. 5

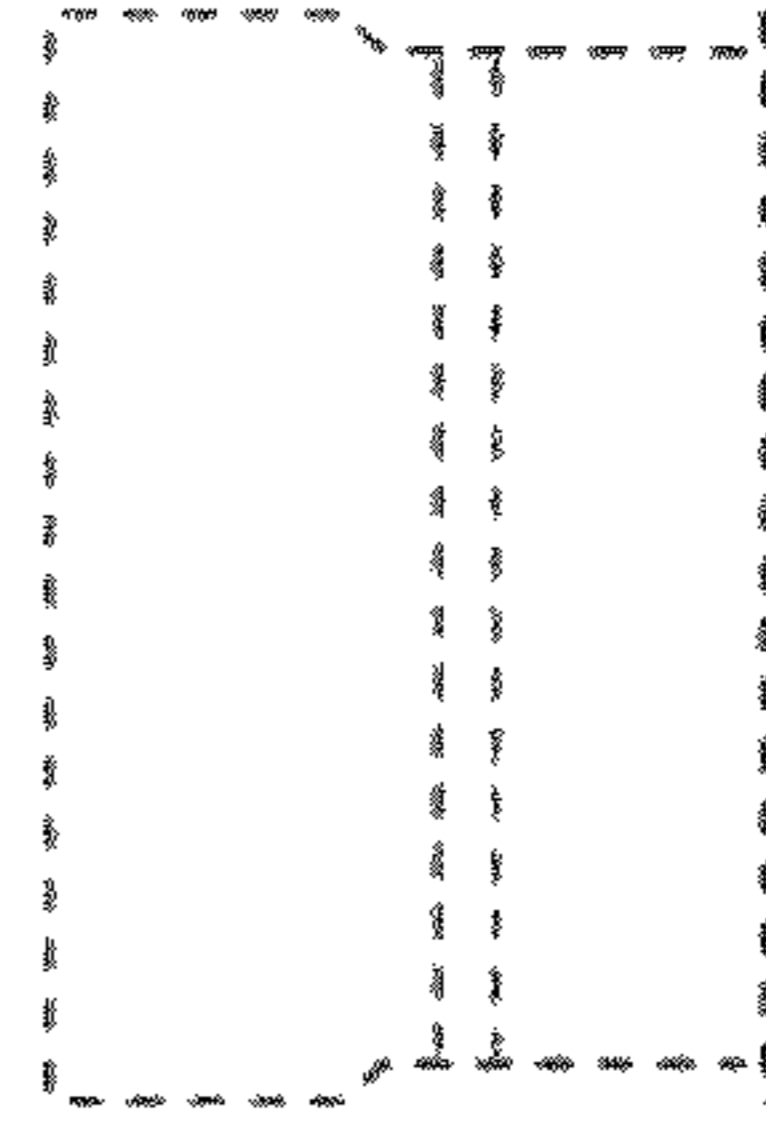


FIG. 7

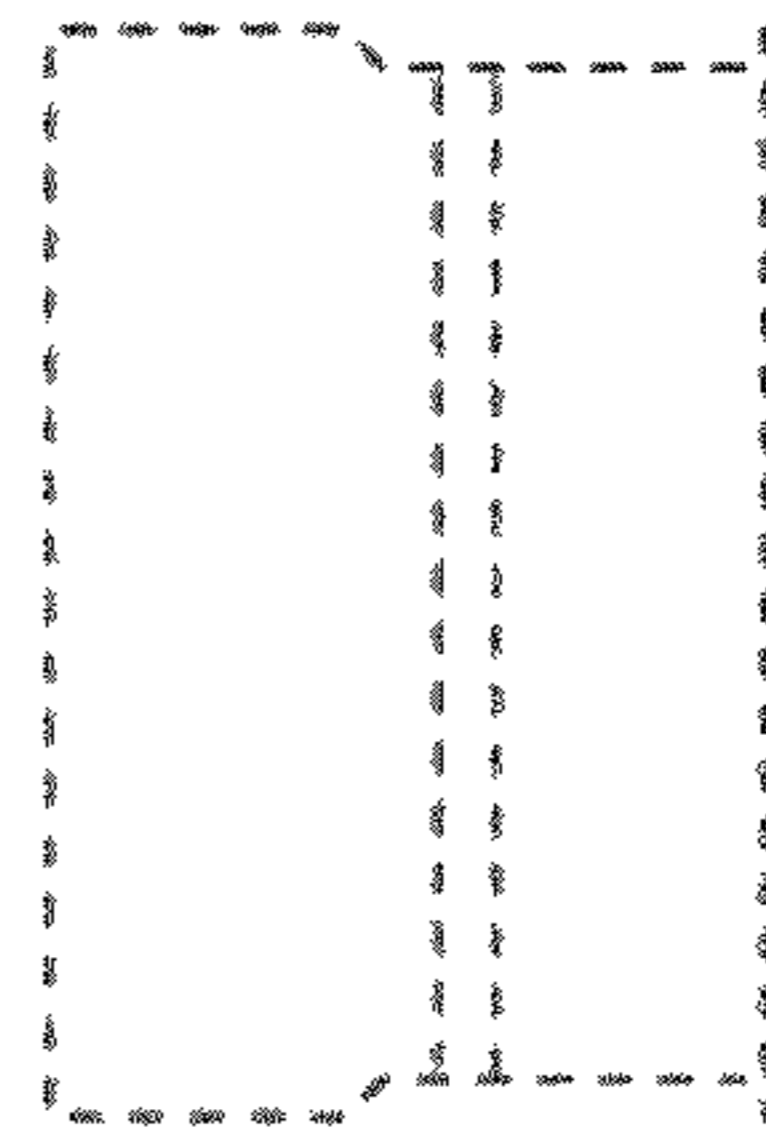


FIG. 6

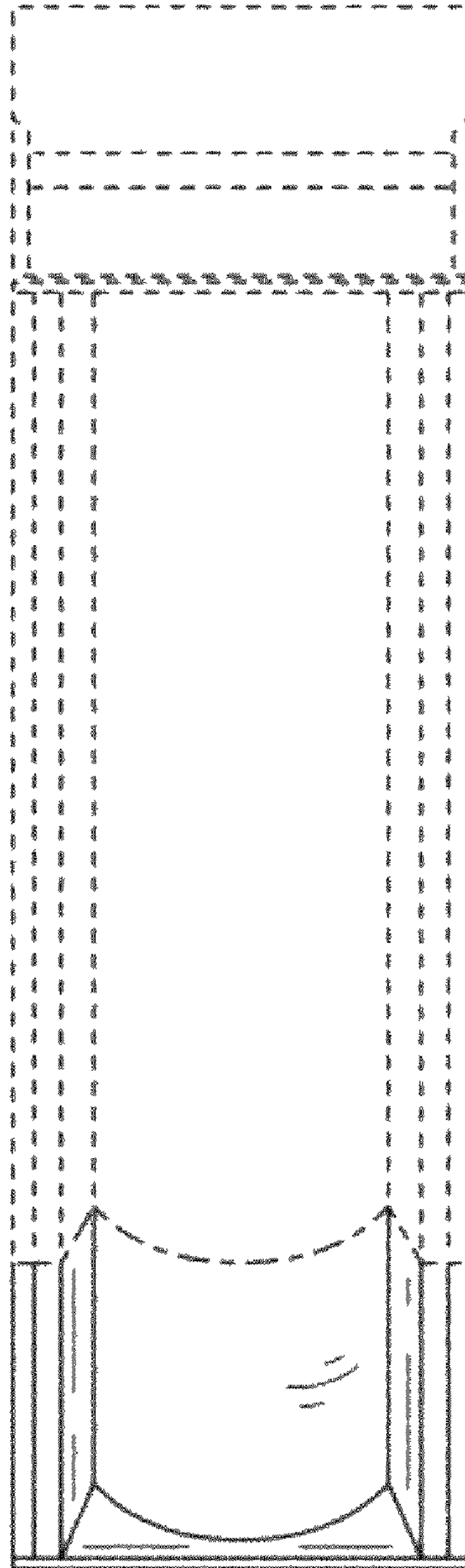


FIG. 8

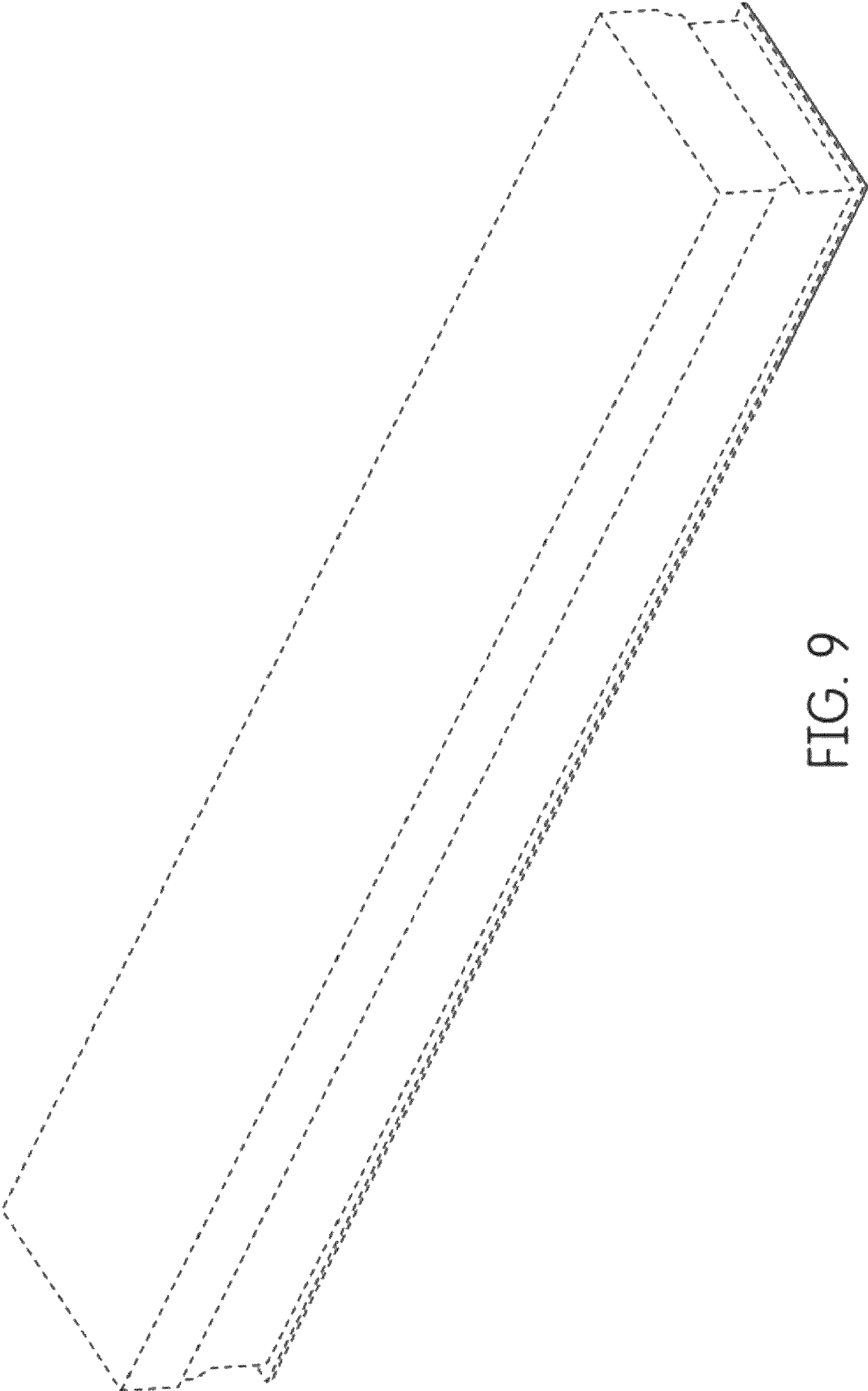


FIG. 9

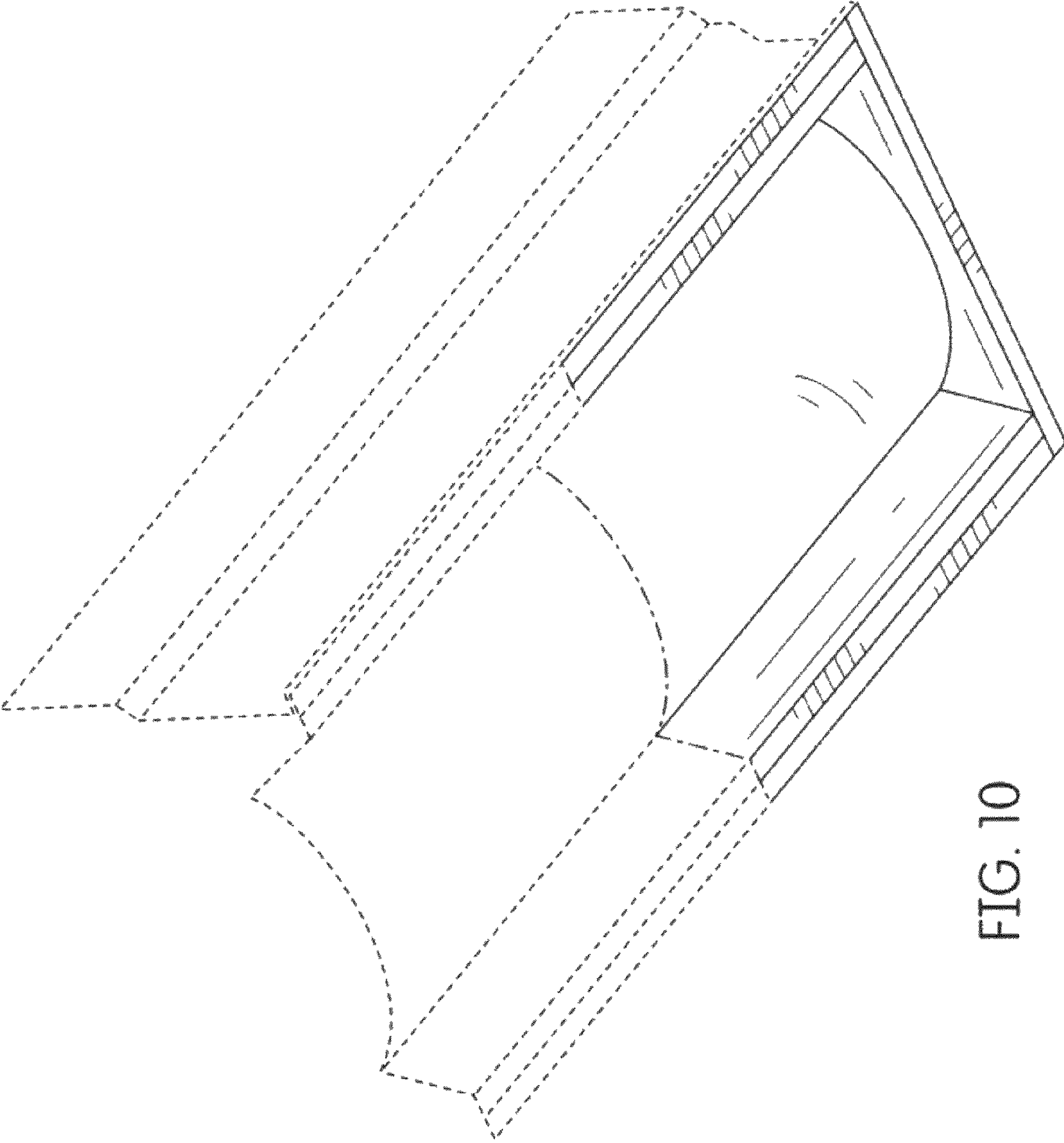


FIG. 10