



US00D661422S

(12) **United States Design Patent**
Ferguson et al.

(10) **Patent No.:** **US D661,422 S**
(45) **Date of Patent:** **** Jun. 5, 2012**

(54) **LIGHTING FIXTURE**

(75) Inventors: **Christopher J. Ferguson**, Westchester, IL (US); **Michael T. Thornton**, Burr Ridge, IL (US)

(73) Assignee: **Focal Point, L.L.C.**, Chicago, IL (US)

(**) Term: **14 Years**

(21) Appl. No.: **29/394,738**

(22) Filed: **Jun. 21, 2011**

(51) **LOC (9) Cl.** **26-99**

(52) **U.S. Cl.** **D26/120**

(58) **Field of Classification Search** 40/617, 40/553, 592; D16/101; D13/179, 180; D9/457; D12/400; D8/354, 382; D10/11; D11/79, D11/129, 125, 128, 126, 127, 124, 121, 122, D11/123; D30/133; D6/462, 403; D20/41, D20/42, 10; D25/100, 106; 362/343, 362, 362/246, 260, 256, 223, 125, 565, 647, 350, 362/102; D26/96, 95, 91, 92, 93, 28, 26, D26/27, 144, 131, 94, 126, 24, 25, 140, 141, D26/142, 143, 71, 72, 73, 74, 75, 76, 77, D26/78, 79, 81, 113, 118, 119, 120, 121, D26/122, 39, 138, 135, 139, 145, 155, 154, D26/63, 64, 65, 66, 67, 68, 84, 85, 83, 82, D26/1, 2, 3, 86, 88, 132, 133, 134, 60, 61, D26/62, 123, 124, 125

See application file for complete search history.

(56) **References Cited**

U.S. PATENT DOCUMENTS

2,701,840	A *	2/1955	Carlson	362/368
2,791,681	A *	5/1957	Evans et al.	362/374
2,873,358	A *	2/1959	Dunker	362/267
2,991,708	A *	7/1961	Falk et al.	454/293
2,997,321	A *	8/1961	Bobrick	292/91
D195,012	S *	4/1963	Hoyle	D23/388
3,134,498	A *	5/1964	Lessner et al.	220/3.8
3,169,467	A *	2/1965	Archer	454/295

3,246,137	A *	4/1966	Zagel	362/218
3,697,743	A *	10/1972	Eargle	362/260
3,810,085	A *	5/1974	Woloski	362/277
3,838,268	A *	9/1974	Fabbri	362/218
4,039,820	A *	8/1977	Materese	362/223
D292,322	S *	10/1987	Krol	D26/75
D511,852	S *	11/2005	Benensohn	D26/76
D561,930	S *	2/2008	Hukle et al.	D26/120
D597,241	S *	7/2009	Fabbri et al.	D26/74
D602,188	S *	10/2009	Fabbri et al.	D26/74
7,635,198	B2 *	12/2009	Mayfield et al.	362/220
D608,933	S *	1/2010	Castelli	D26/76
7,950,833	B1 *	5/2011	Crane et al.	362/404

(Continued)

OTHER PUBLICATIONS

Cooper Lighting, "Neo-Ray/ 22DR Straight & Narrow Gen II," www.cooperlighting.com, May 28, 2010, pp. 1-2, Peachtree City, GA.

(Continued)

Primary Examiner — Kevin Rudzinski

(74) *Attorney, Agent, or Firm* — Banner & Witcoff, Ltd.

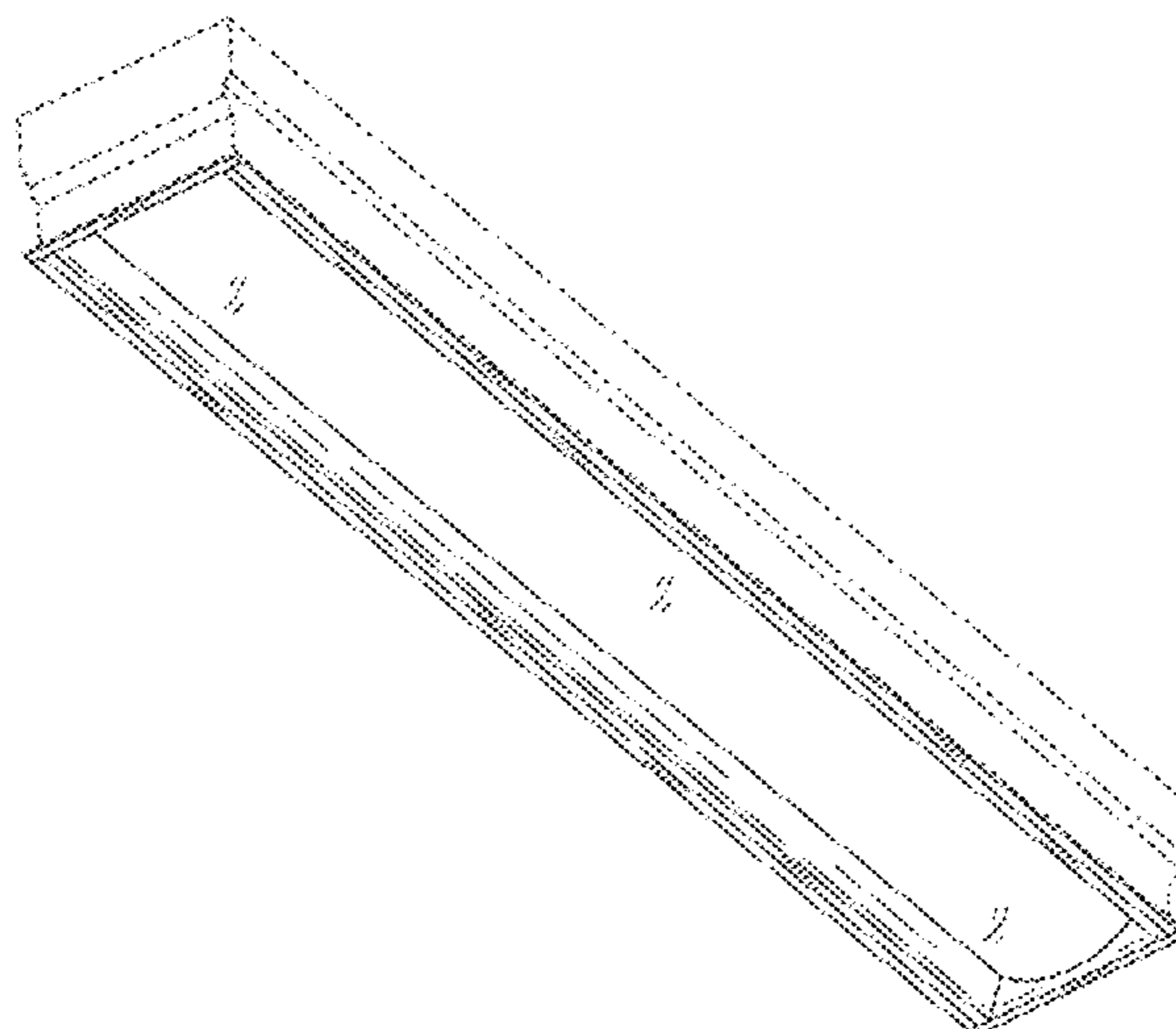
(57) **CLAIM**

The ornamental design for a lighting fixture, as shown and described.

DESCRIPTION

FIG. 1 is a bottom, front, right perspective view of a lighting fixture showing our new design; FIG. 2 is a bottom view thereof; FIG. 3 is a top view thereof; FIG. 4 is a right side view thereof; FIG. 5 is a left side view thereof; FIG. 6 is a front view thereof; FIG. 7 is a rear view thereof; and, FIG. 8 is a bottom, front perspective view thereof. The broken lines immediately adjacent to the shaded area represent unclaimed boundaries of the design. The broken lines showing the remainder of the lighting fixture form no part of the claimed design.

1 Claim, 4 Drawing Sheets



US D661,422 S

Page 2

U.S. PATENT DOCUMENTS

D643,572 S * 8/2011 Lown et al. D26/120
D645,192 S * 9/2011 Chung et al. D26/75

OTHER PUBLICATIONS

Columbia Lighting, "Recessed Architectural/ZPT14," www.columbialighting.com, Sep. 28, 2010, pp. 1-2, Greenville, SC.
Cooper Lighting, "Neo-Ray/Series 7," www.cooperlighting.com, Dec. 2, 2010, pp. 1-2, Peachtree City, GA.

Cooper Lighting, "Fail-Safe/SGI," www.cooperlighting.com, Oct. 12, 2010, pp. 1-2, Peachtree City, GA.
Cooper Lighting, "Fail-Safe/MAO," www.cooperlighting.com, Mar. 25, 2011, pp. 1-2, Peachtree City, GA.
Focal Point, "avenue 6," www.focalpointlights.com, Apr. 2011, pp. 1-4, Chicago, IL.
Lithonia Lighting, "2VTLED," www.lithonia.com, Jun. 8, 2011, pp. 1-2, Conyers, GA.
Cooper Lighting, "Corelite/ R Mini Frosted Prismatic Lens," www.cooperlighting.com, Jun. 17, 2011, p. 1, Peachtree City, GA.

* cited by examiner

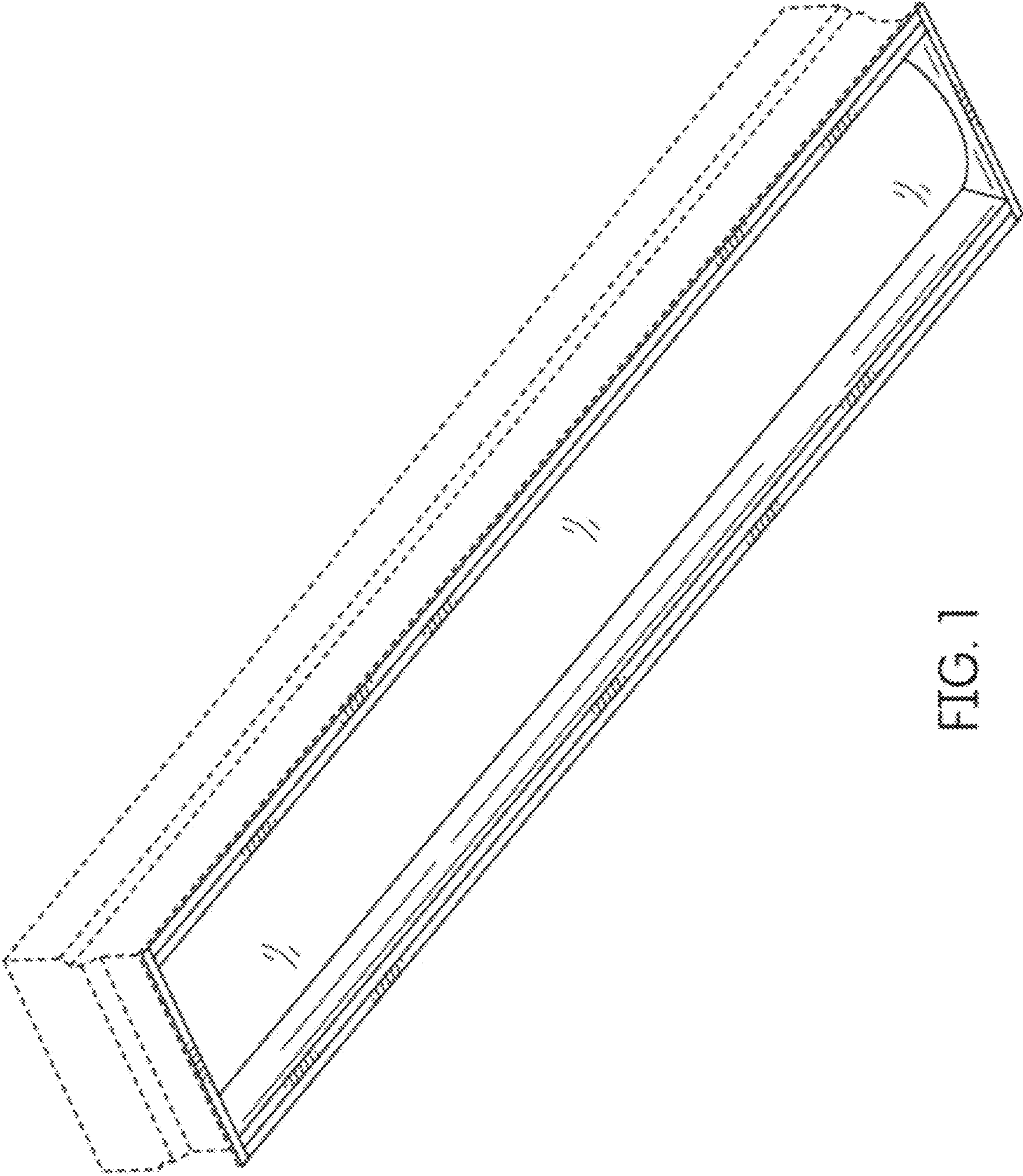


FIG. 1

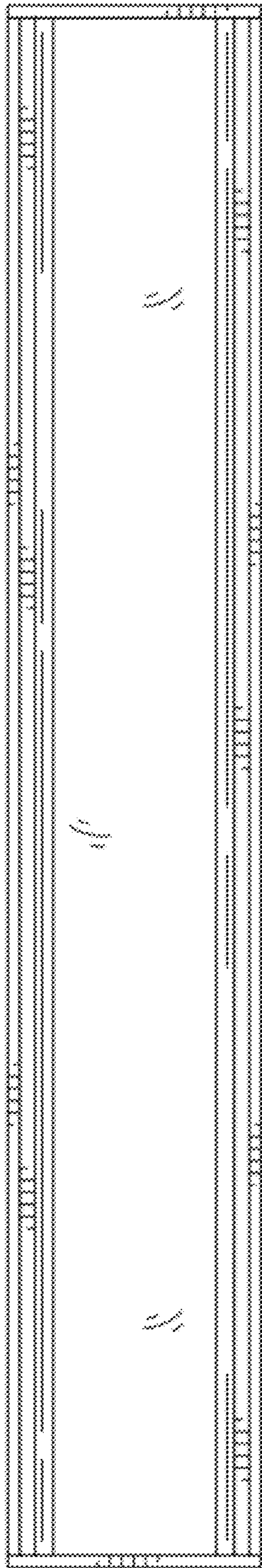


FIG. 2

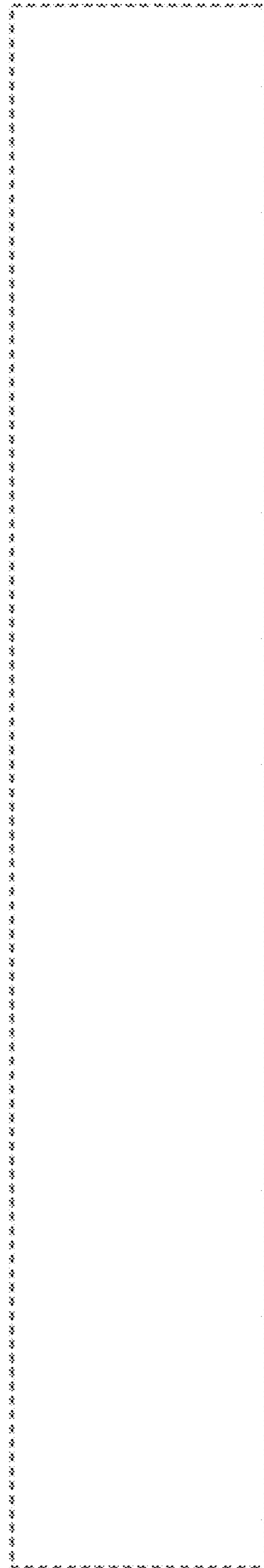


FIG. 3

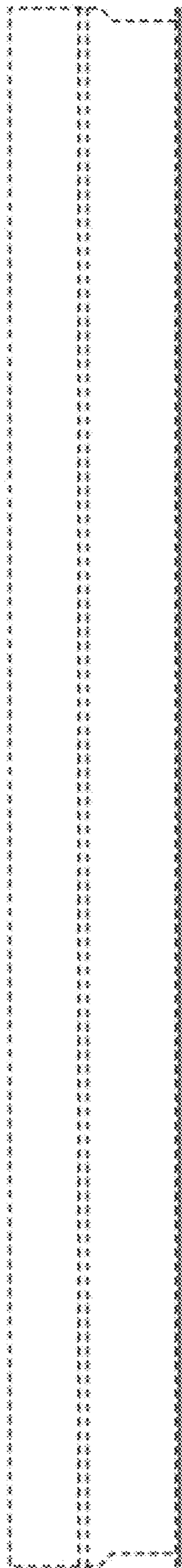


FIG. 4

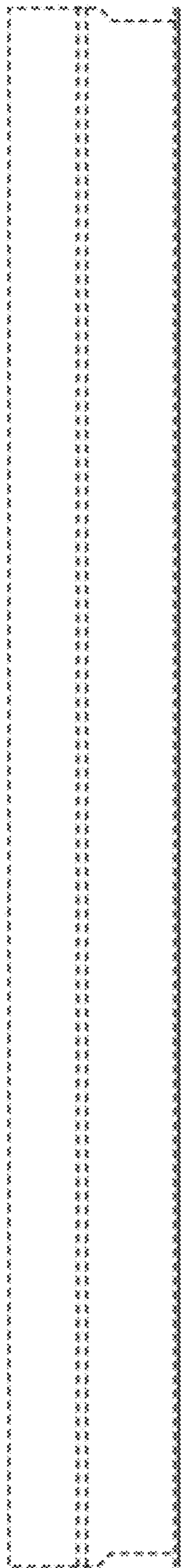


FIG. 5

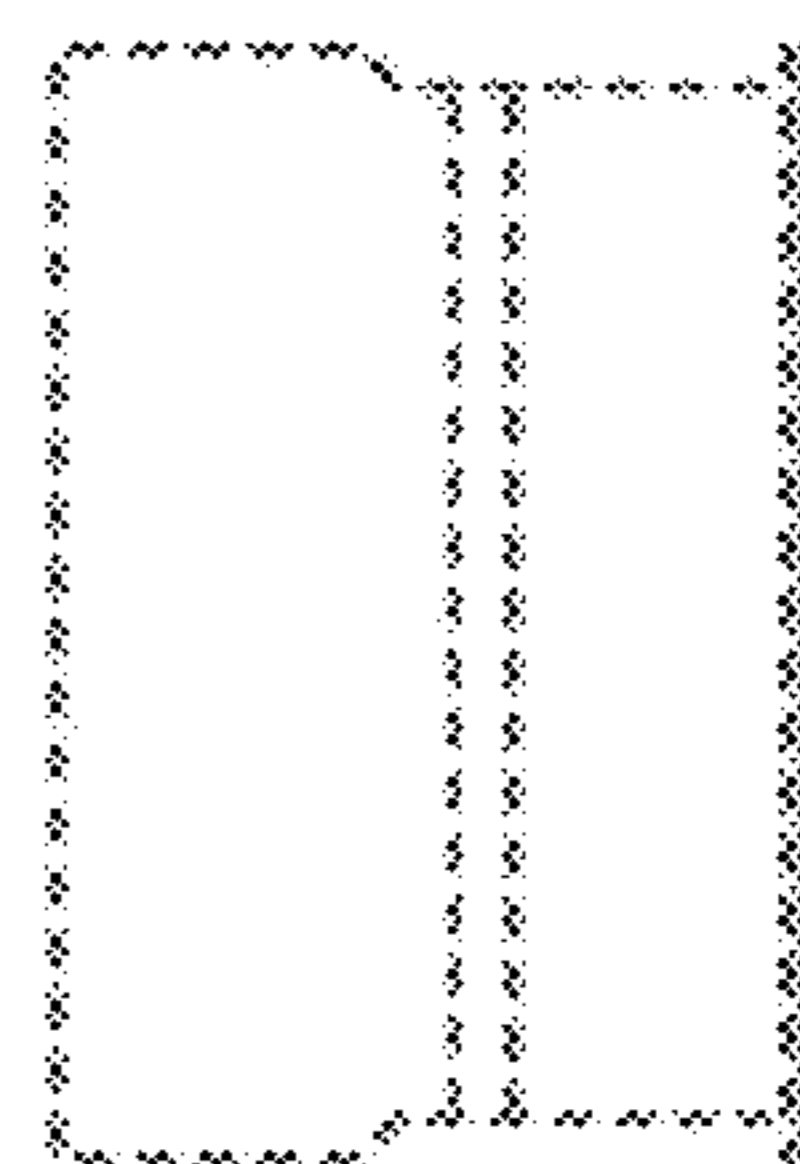


FIG. 6

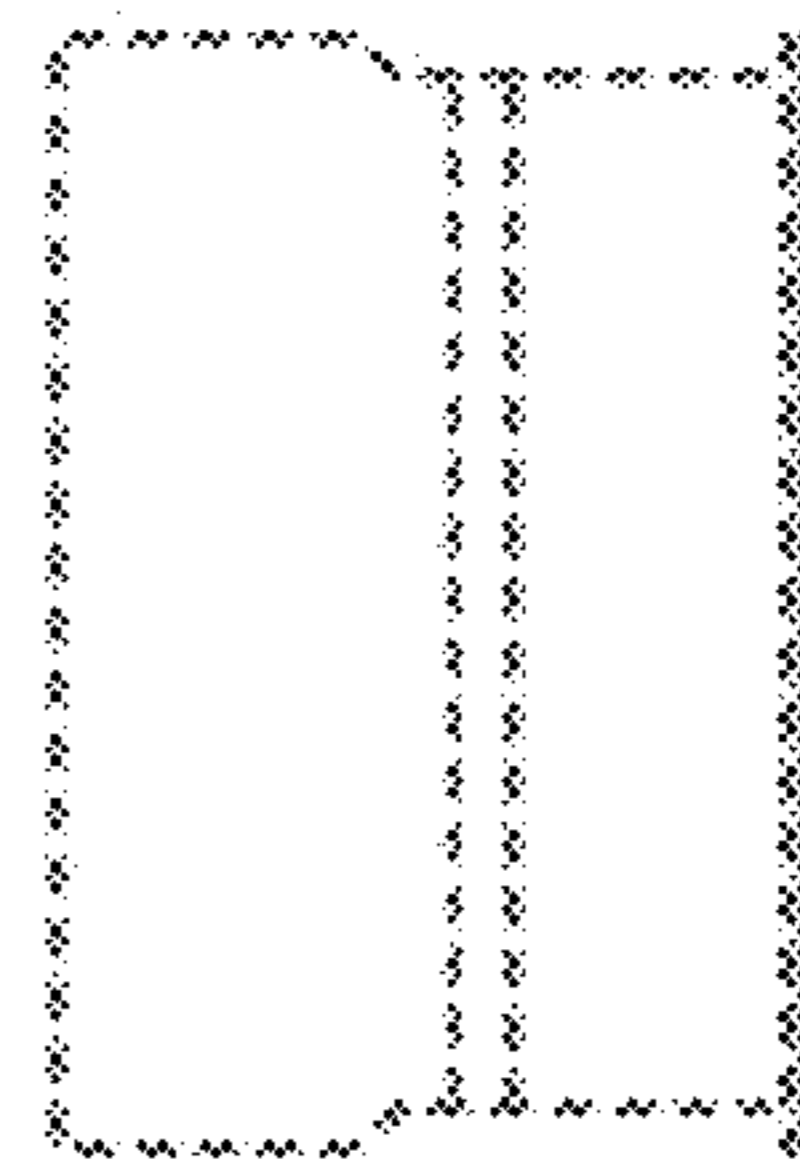


FIG. 7

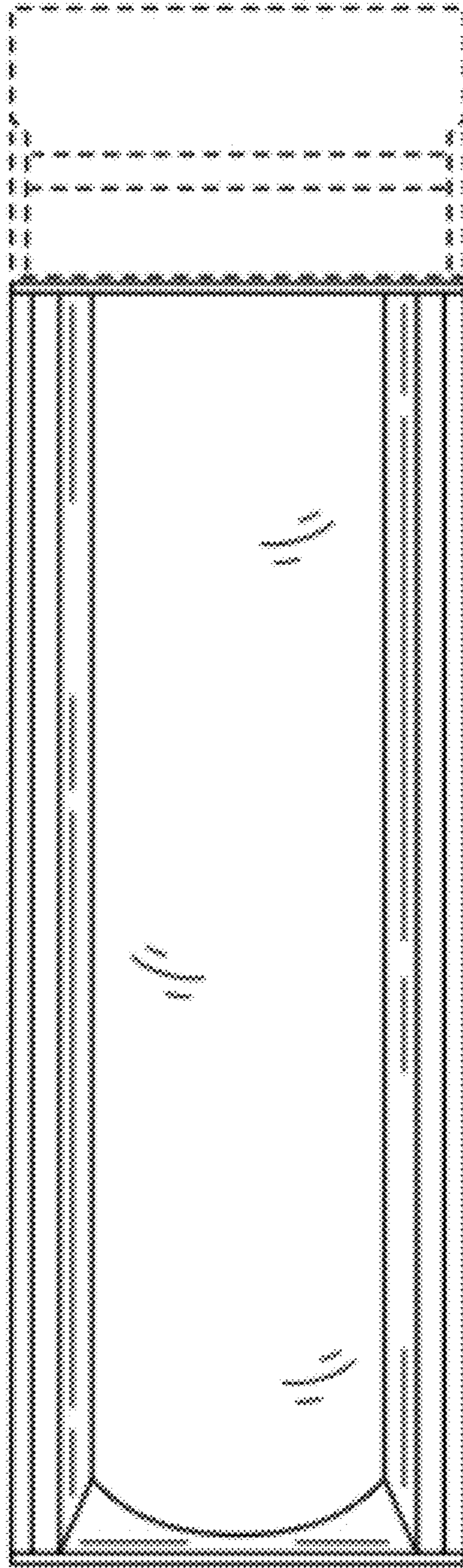


FIG. 8