

US00D661421S

(12) **United States Design Patent**
Hor et al.

(10) **Patent No.:** **US D661,421 S**
(45) **Date of Patent:** **** Jun. 5, 2012**

(54) **LAMP**

(75) Inventors: **Ai-Lan Hor**, Hsin-Chu (TW);
Wen-Chiao Chang, Hsin-Chu (TW);
Ko-Wei Lee, Hsin-Chu (TW); **Udo**
Custodis, Hsin-Chu (TW)

(73) Assignee: **Young Lighting Technology Inc.**,
Hsin-Chu (TW)

(**) Term: **14 Years**

(21) Appl. No.: **29/386,415**

(22) Filed: **Mar. 1, 2011**

(30) **Foreign Application Priority Data**

Oct. 14, 2010 (TW) 99305221

(51) **LOC (9) Cl.** **26-03**

(52) **U.S. Cl.** **D26/84; D26/91; D26/63**

(58) **Field of Classification Search** D26/61,
D26/63, 80-82, 84, 86, 88, 90, 92, 128, 146,
D26/147; 362/147, 404-408

See application file for complete search history.

(56) **References Cited**

U.S. PATENT DOCUMENTS

D168,738	S *	2/1953	Friedman	D23/334
D192,608	S *	4/1962	Cooke	D26/76
D411,031	S	6/1999	Conn et al.		
6,755,550	B1 *	6/2004	Lackey	362/147
6,807,785	B2 *	10/2004	Lynch et al.	52/506.06
D568,517	S *	5/2008	Redfern et al.	D26/63
D584,440	S	1/2009	Allen		
D586,934	S *	2/2009	Ogashiwa	D26/63
D599,948	S *	9/2009	Armbruster	D26/91
D611,182	S	3/2010	Allen		
D618,842	S *	6/2010	Ngai et al.	D26/88
D635,709	S *	4/2011	Federico et al.	D26/84
D635,711	S *	4/2011	Scutella'	D26/88
D643,566	S *	8/2011	Hickok et al.	D26/88
D645,196	S *	9/2011	Hickok	D26/88

FOREIGN PATENT DOCUMENTS

JP	D1315826	11/2007
JP	D1318432	1/2008
JP	D1403408	12/2010
TW	172576	11/1991
TW	287029	9/1996
TW	329369	4/1998

OTHER PUBLICATIONS

“Notice of Allowance of Taiwan Counterpart Application”, issued on Jul. 12, 2011, p. 1-p. 3, in which the listed references were cited.

* cited by examiner

Primary Examiner — Clare E Heflin

(74) *Attorney, Agent, or Firm* — Jianq Chyun IP Office

(57) **CLAIM**

The ornamental design for a lamp, as shown and described.

DESCRIPTION

FIG. 1 is a perspective view of a lamp showing our new design;

FIG. 2 is a front view thereof;

FIG. 3 is a rear view thereof;

FIG. 4 is a left side view thereof;

FIG. 5 is a right side view thereof;

FIG. 6 is a top view thereof;

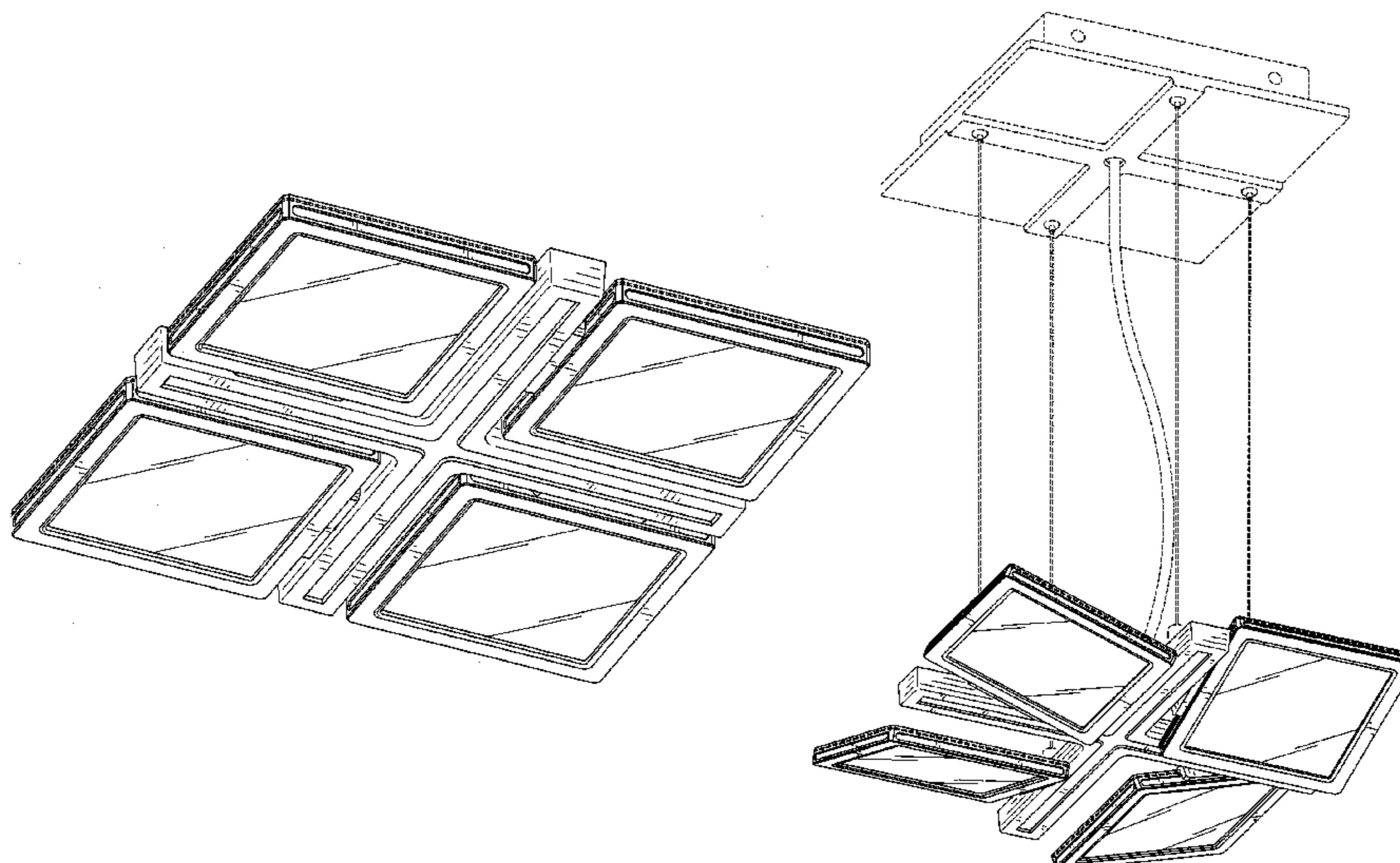
FIG. 7 is a bottom view thereof;

FIG. 8 is a perspective view thereof, with a plurality of wires and a base; and,

FIG. 9 is another perspective view thereof, with a plurality of wires and a base, the light panels being rotated.

In FIGS. 1 and 4-9, the broken line showings of the trenches around the light panels, and in FIGS. 8 and 9, the broken line showings of the wires and the base, are for illustrative purposes only and form no part of the claimed design.

1 Claim, 7 Drawing Sheets



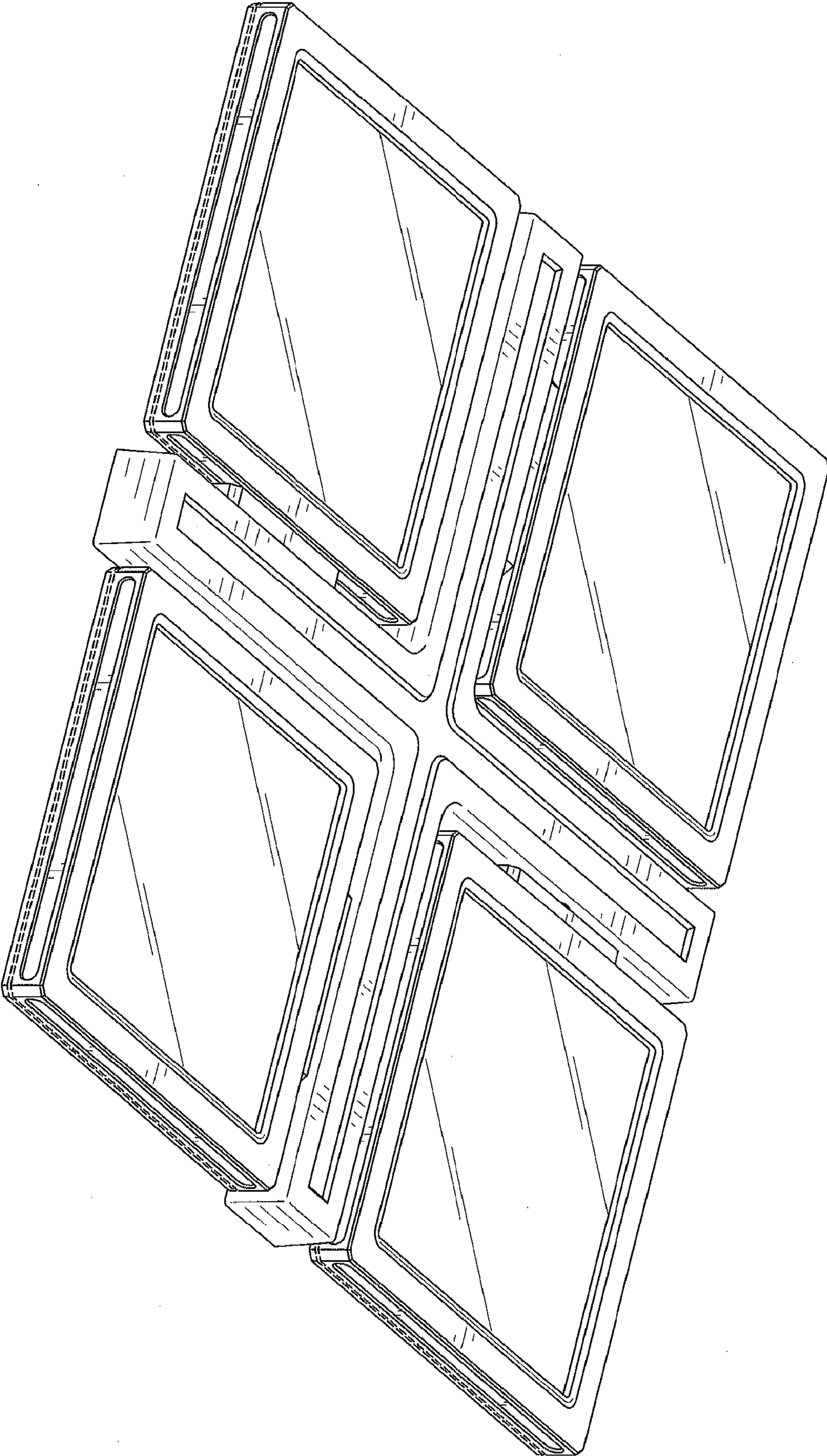


FIG. 1

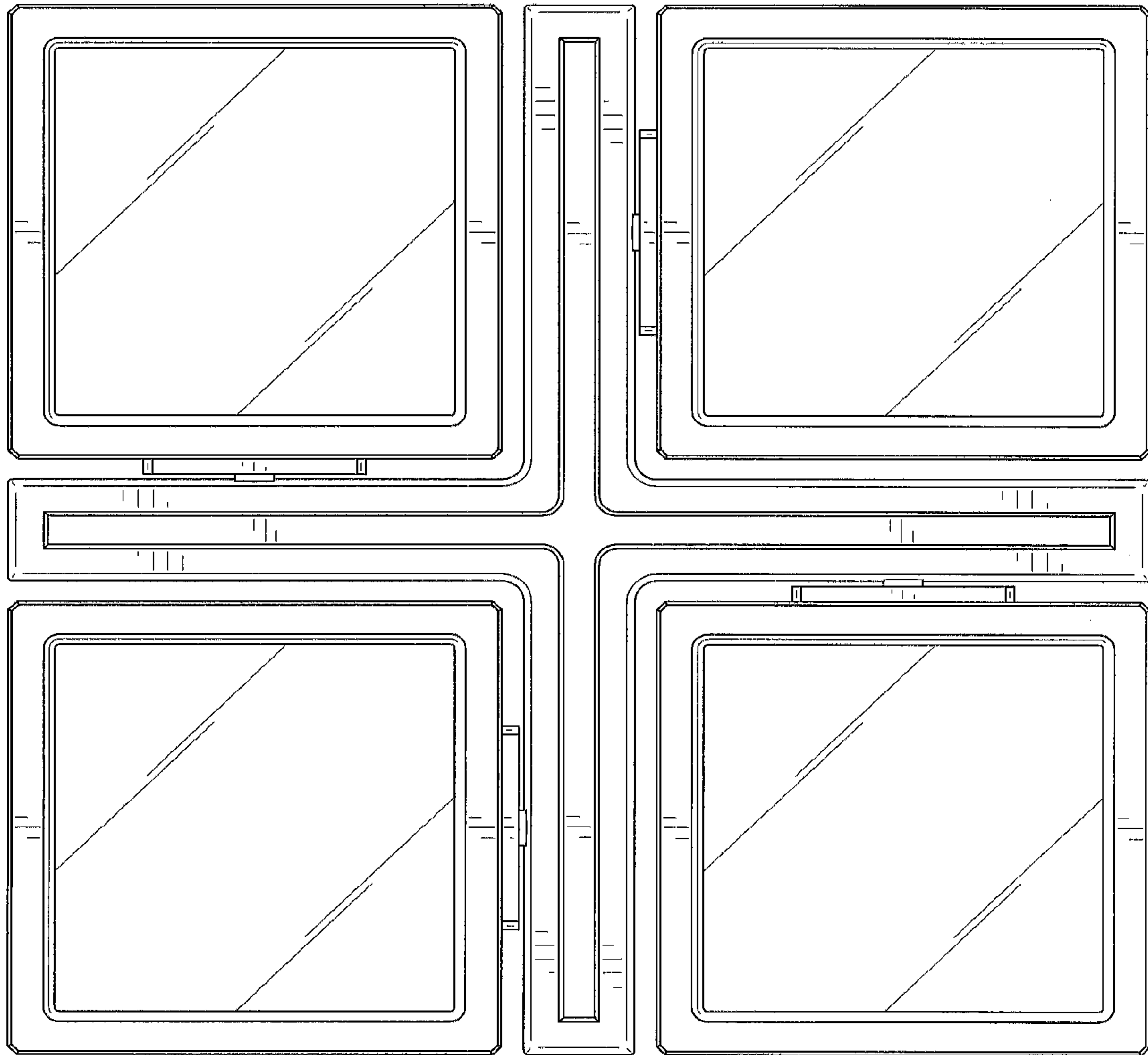


FIG. 2

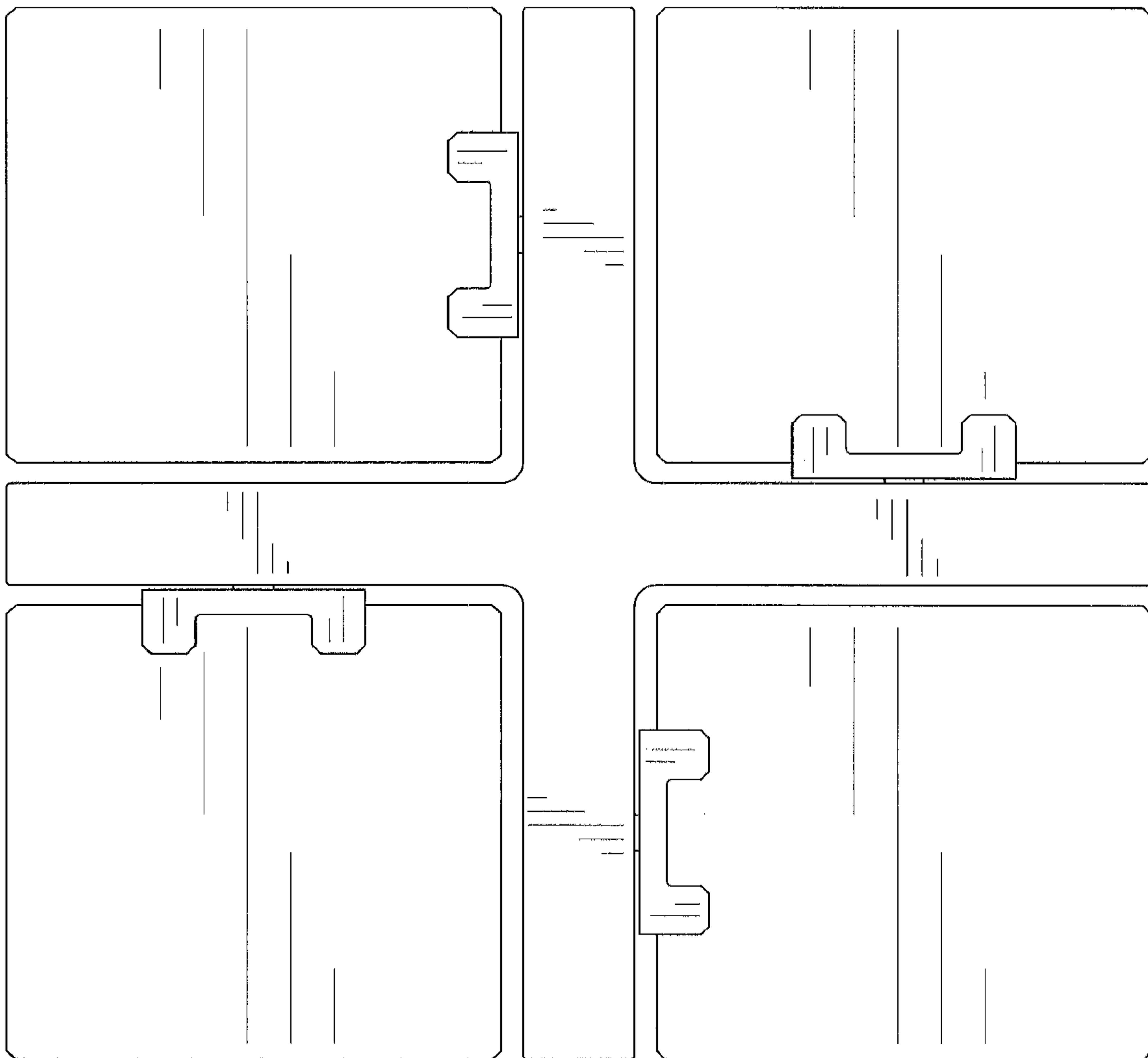


FIG. 3

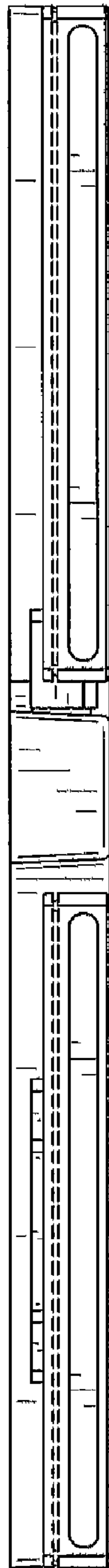


FIG. 4

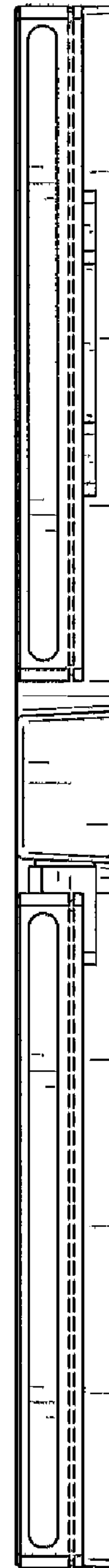


FIG. 5



FIG. 6

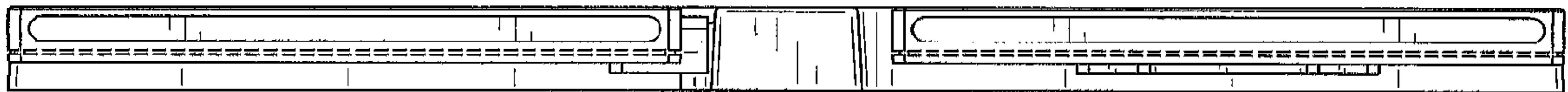


FIG. 7

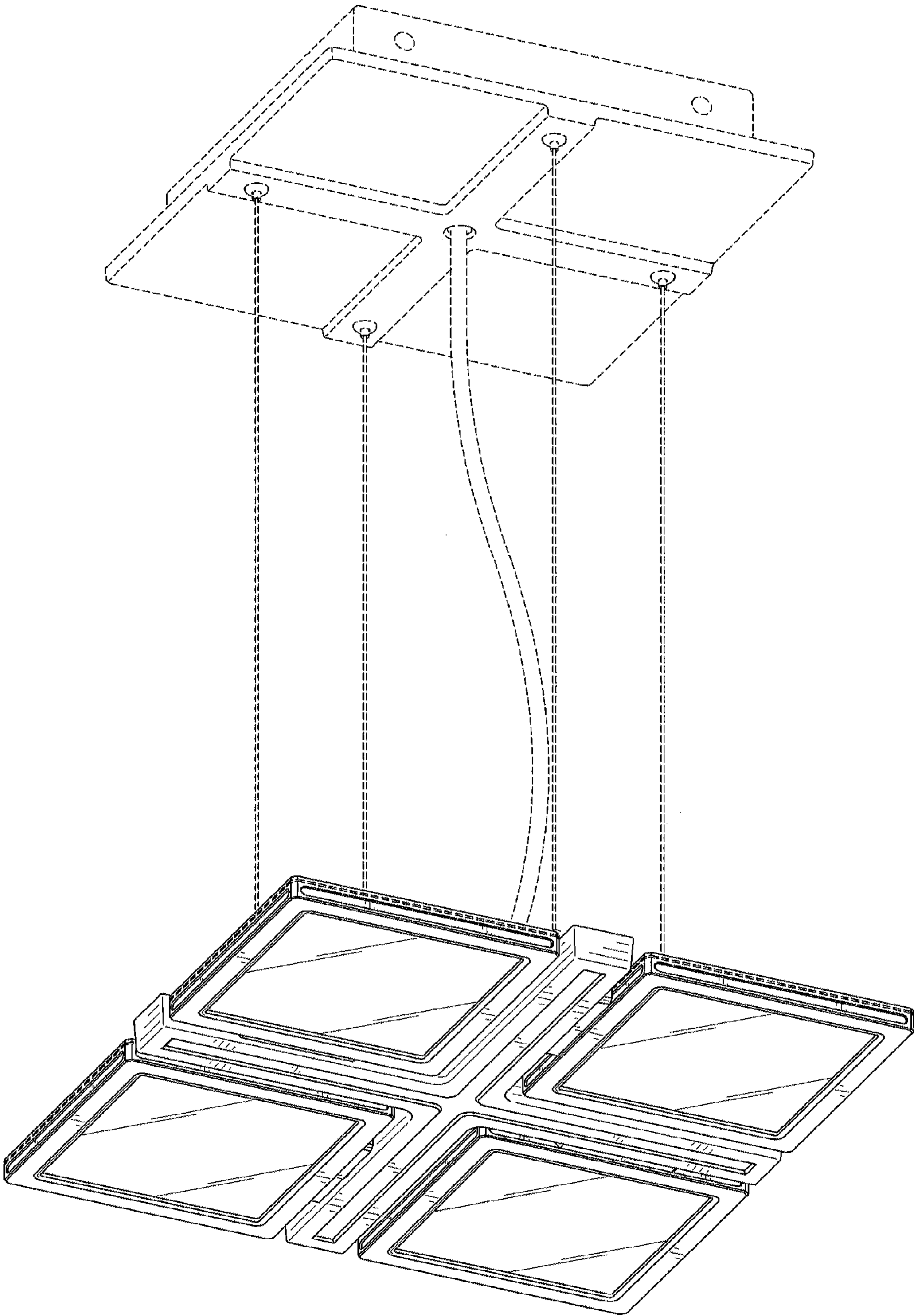


FIG. 8

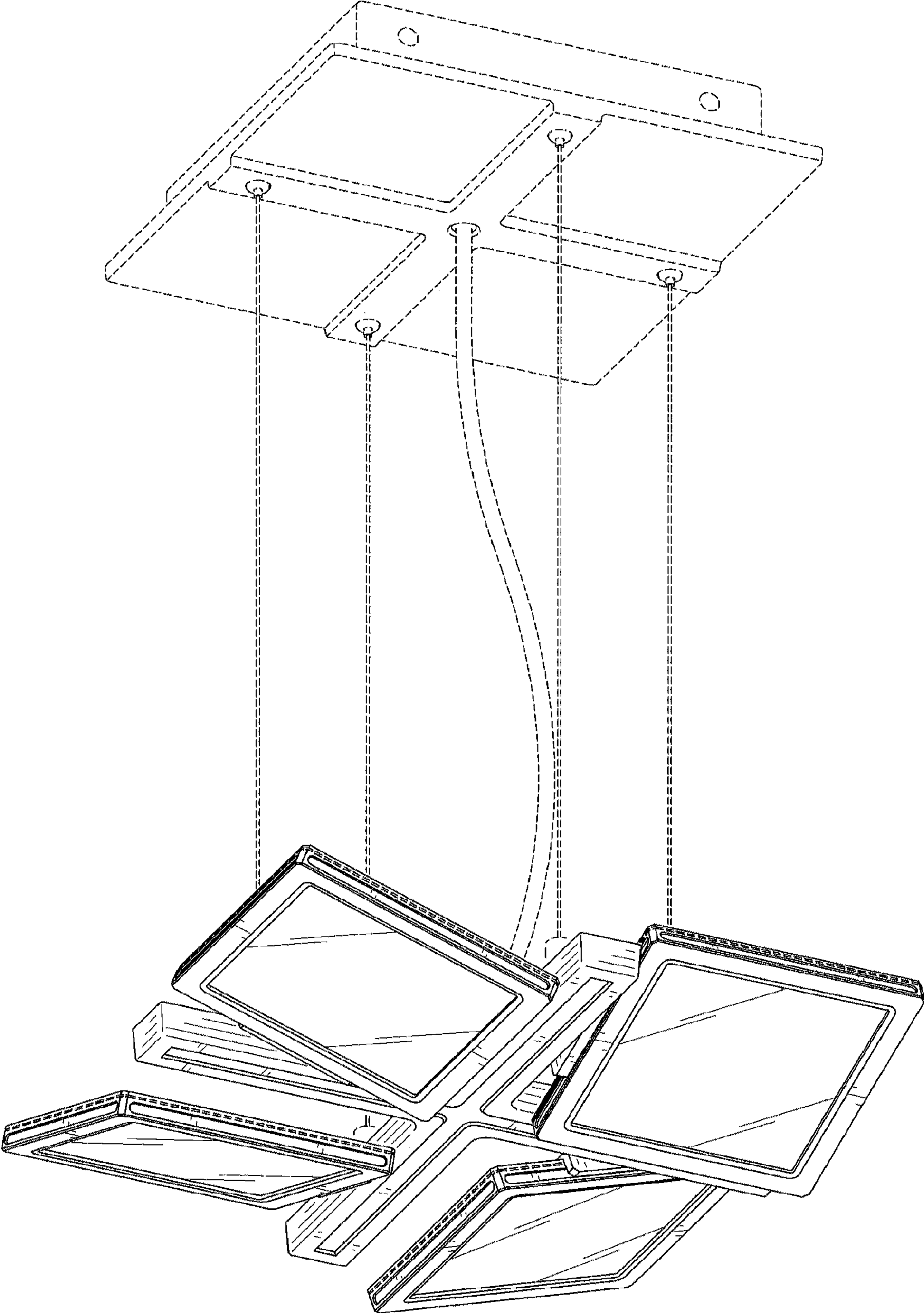


FIG. 9