

US00D661419S

(12) **United States Design Patent**
Huang

(10) **Patent No.:** **US D661,419 S**

(45) **Date of Patent:** **** Jun. 5, 2012**

(54) **LIGHT WITH MAGNIFIER**

(76) Inventor: **Yen-Hung Huang**, Taichung Hsien
(TW)

(**) Term: **14 Years**

(21) Appl. No.: **29/347,663**

(22) Filed: **Apr. 6, 2010**

(51) **LOC (9) Cl.** **26-05**

(52) **U.S. Cl.** **D26/62**

(58) **Field of Classification Search** D26/60-66,
D26/51, 56, 103, 107; 362/253, 269, 270,
362/274, 275, 277, 278, 282, 283, 285, 287,
362/288, 427, 413, 414, 280, 431; D16/135,
D16/136; 359/738, 740, 800-802, 813, 822
See application file for complete search history.

(56) **References Cited**

U.S. PATENT DOCUMENTS

1,702,317 A * 2/1929 Rose 359/807
D448,782 S * 10/2001 Wright D16/135
6,322,226 B1 * 11/2001 Dickson 362/33

D506,018 S * 6/2005 Campo D26/62
D507,372 S * 7/2005 Lu D26/62
D520,543 S * 5/2006 Welch D16/131
D588,737 S * 3/2009 Fu D26/63

* cited by examiner

Primary Examiner — Susan M Lee

Assistant Examiner — Linda G. Brooks

(74) *Attorney, Agent, or Firm* — Bacon & Thomas, PLLC

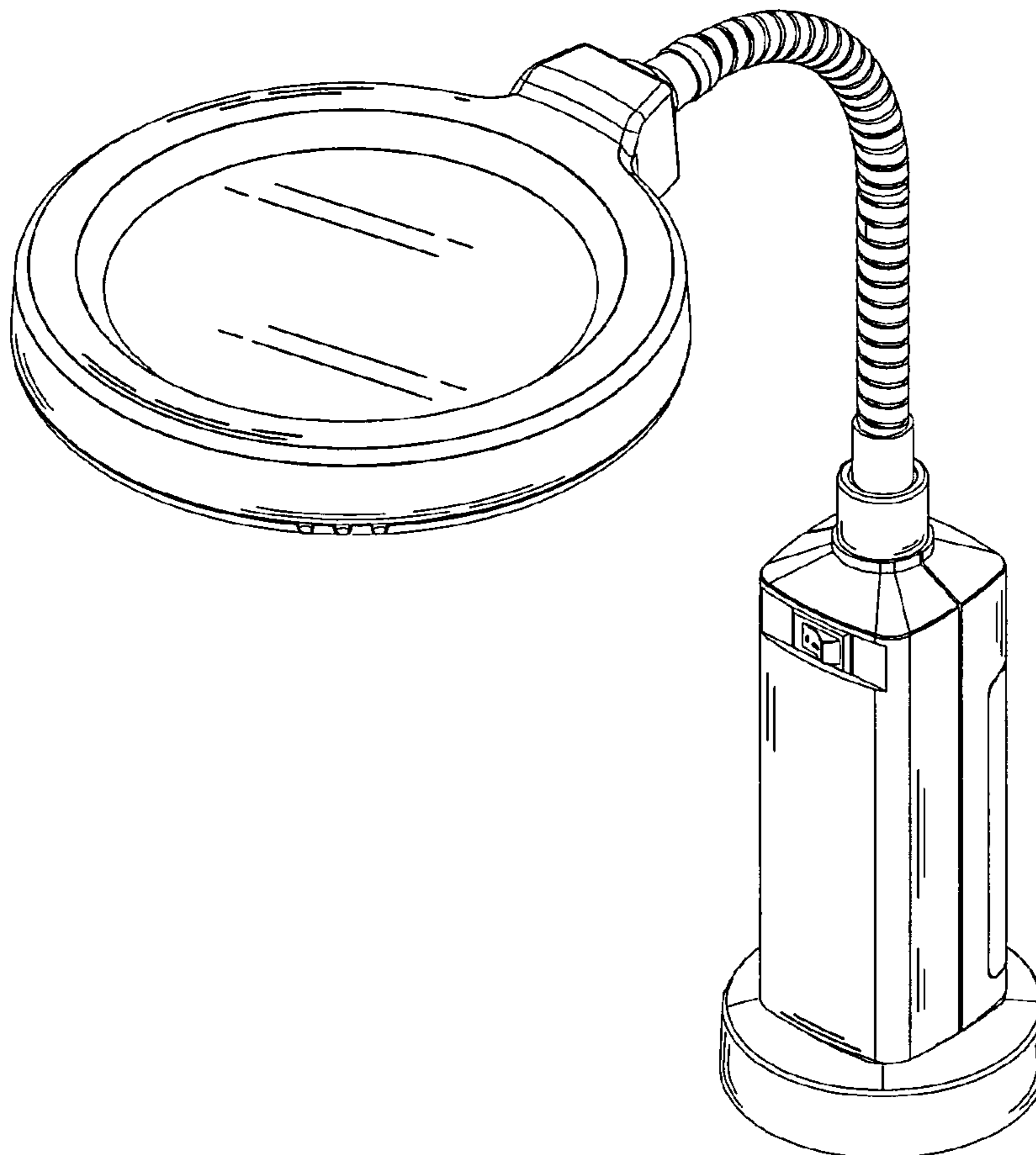
(57) **CLAIM**

The ornamental design for a light with magnifier, as shown and described.

DESCRIPTION

FIG. 1 is a perspective view of a light with magnifier showing my new design;
FIG. 2 is a front elevational view thereof;
FIG. 3 is a rear elevational view thereof;
FIG. 4 is a left side elevational view thereof;
FIG. 5 is a right side elevational view thereof;
FIG. 6 is a top plan view thereof; and,
FIG. 7 is a bottom plan view thereof.

1 Claim, 7 Drawing Sheets



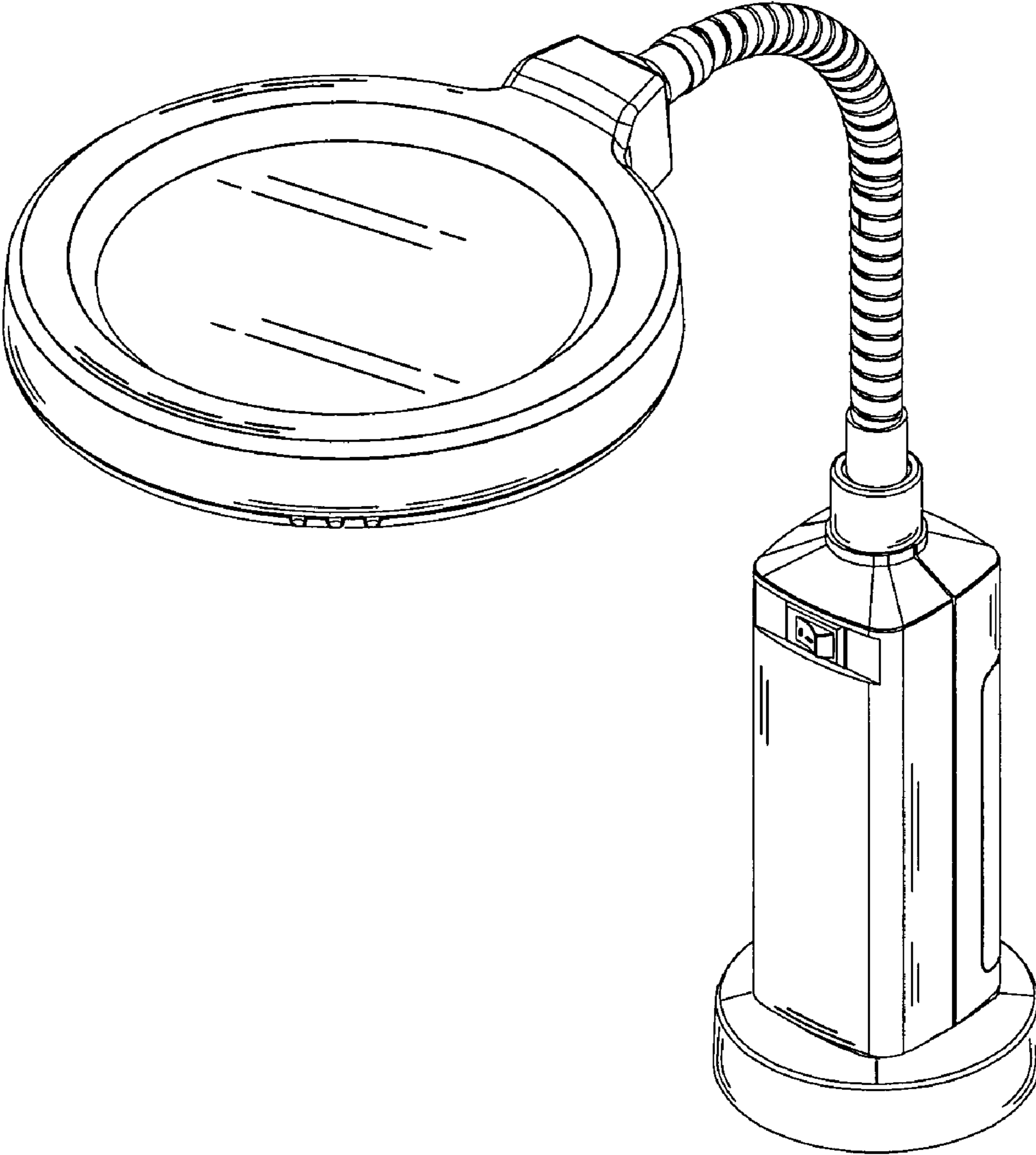


Fig. 1

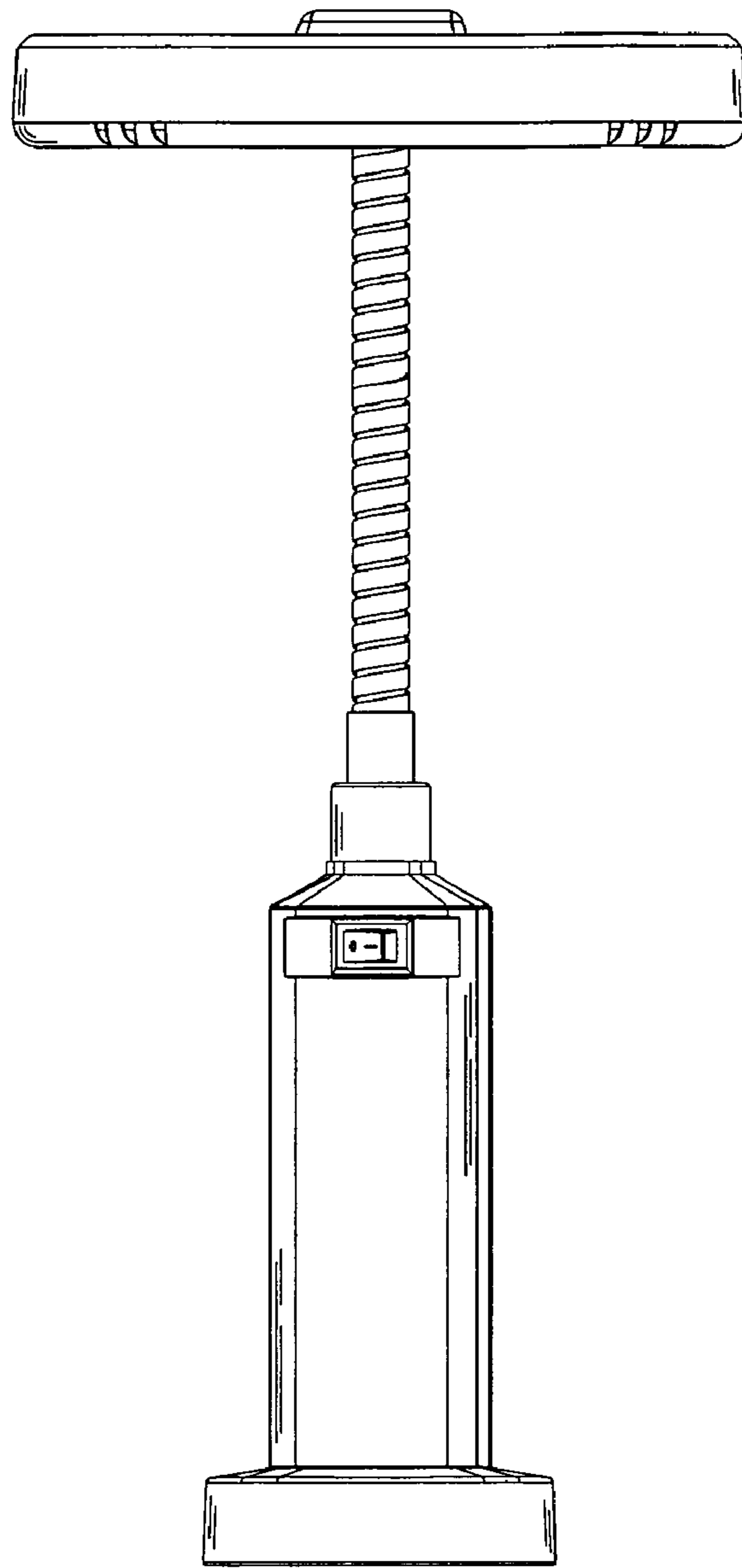


Fig. 2

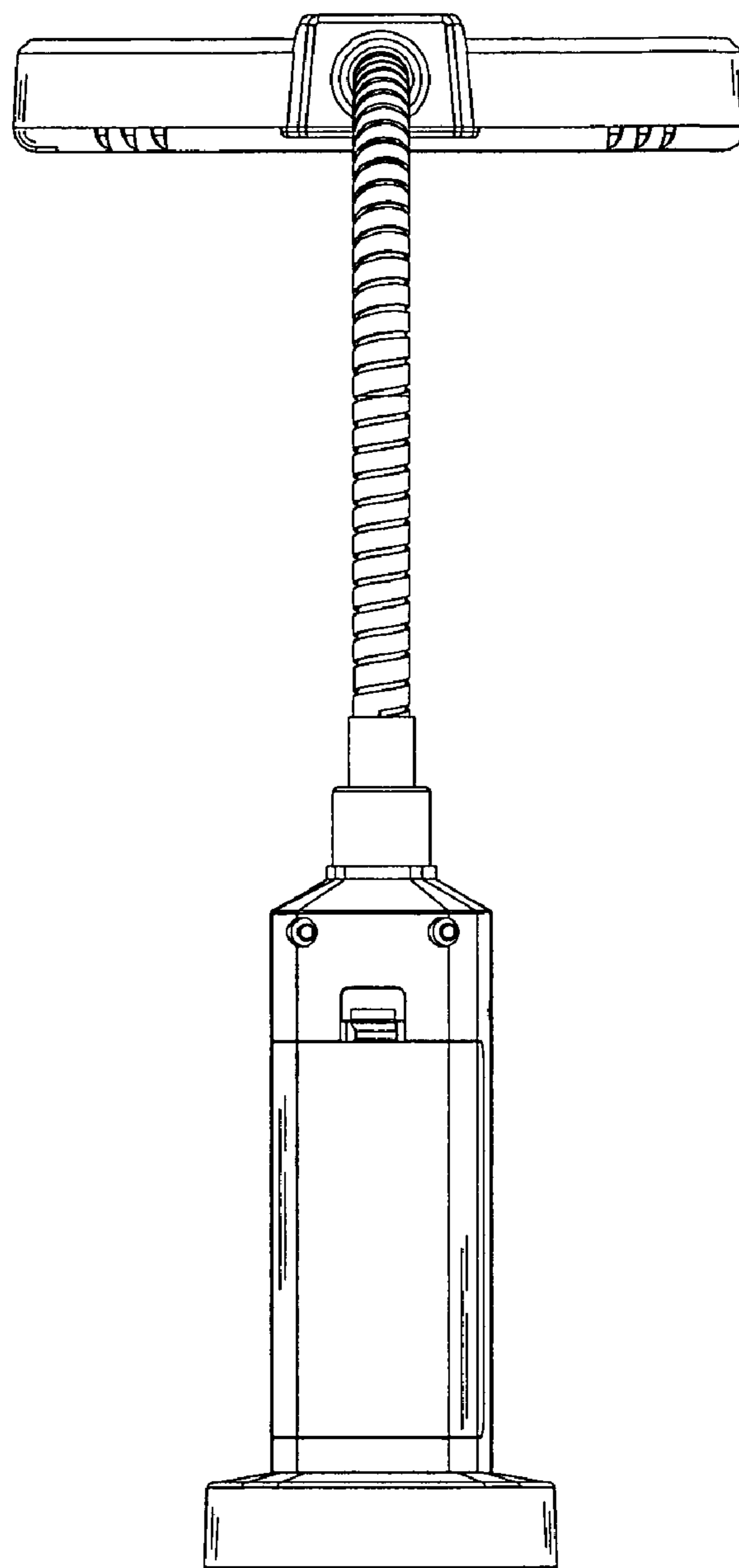


Fig. 3

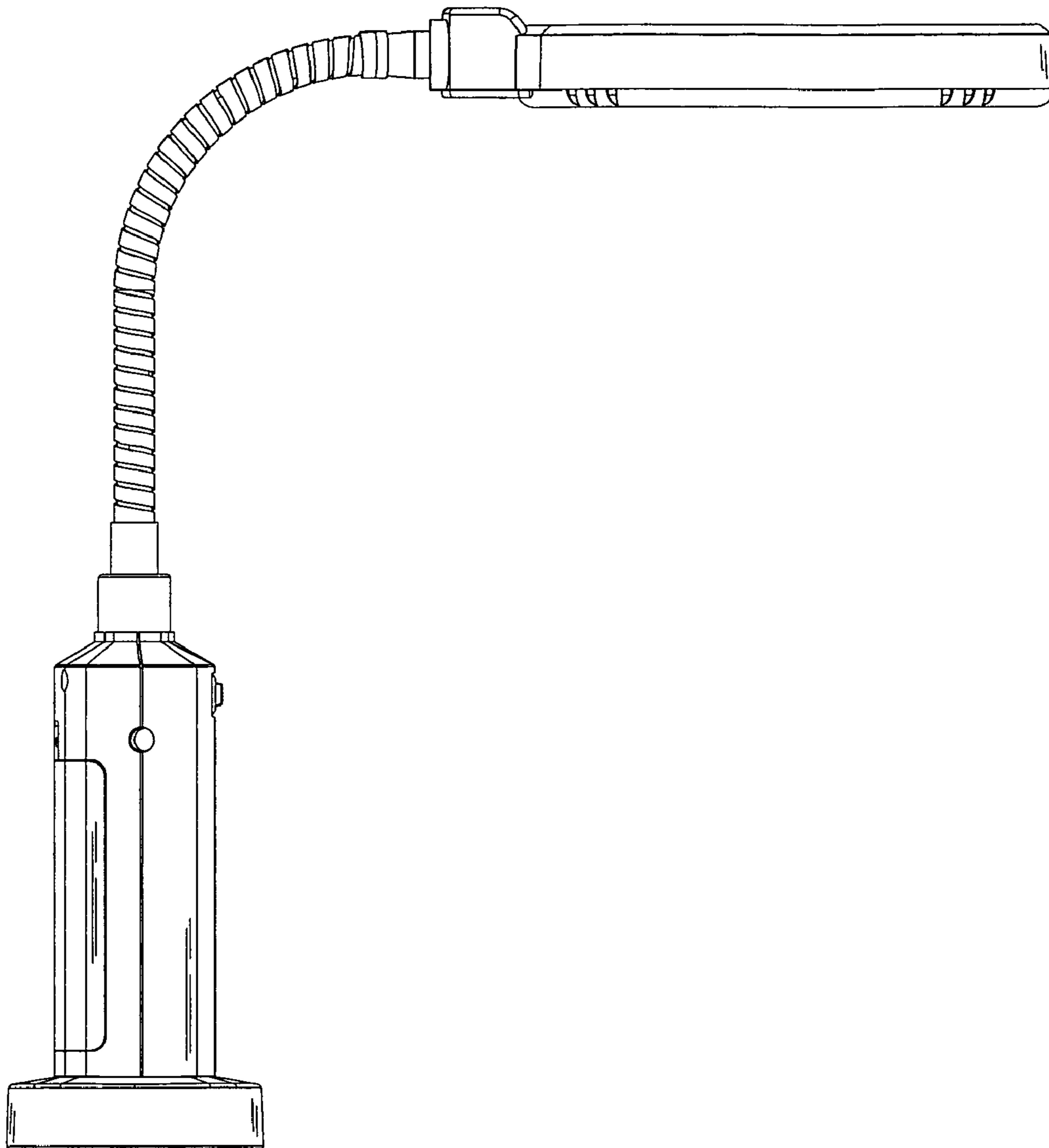


Fig. 4

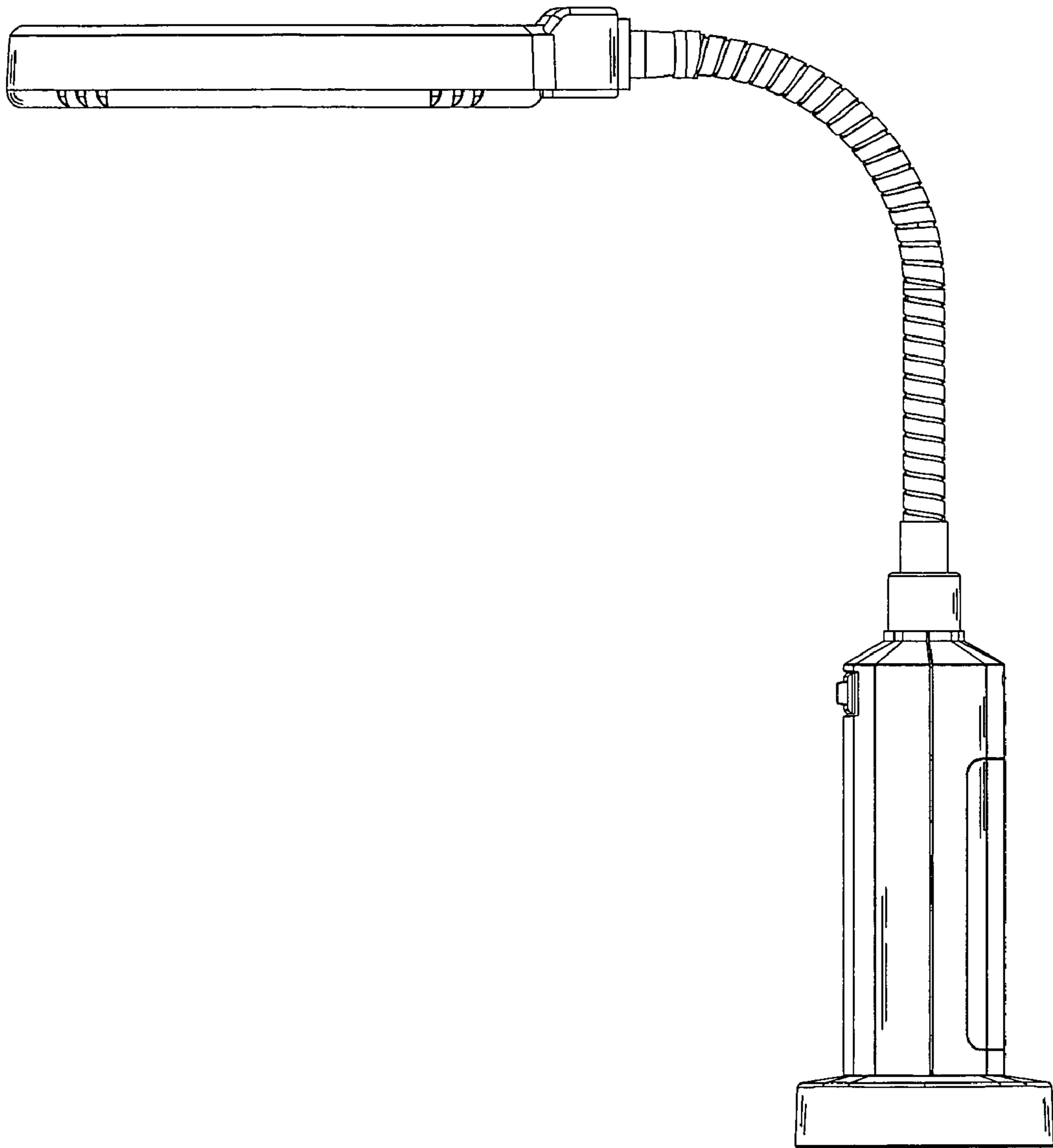


Fig. 5

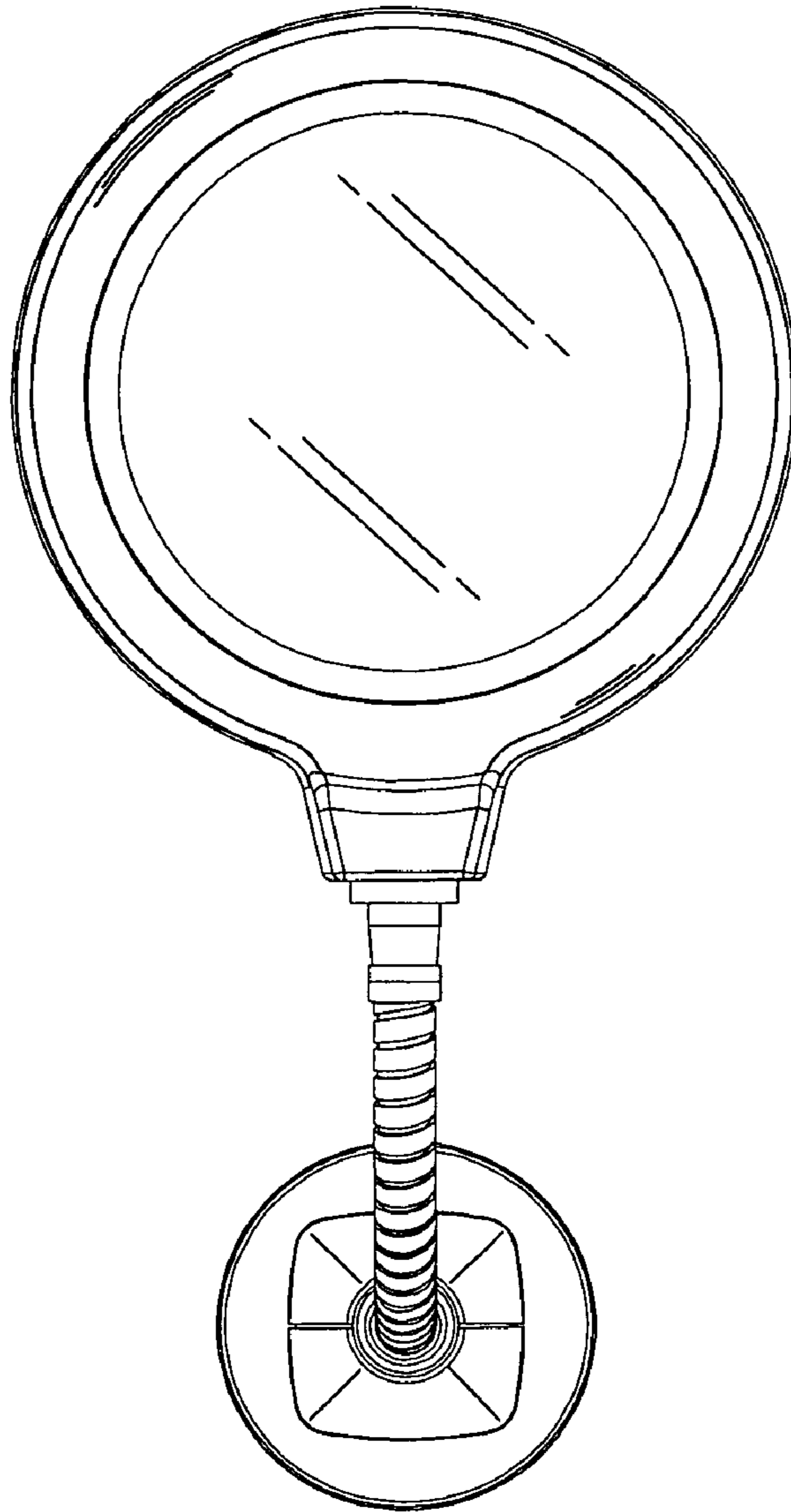


Fig. 6

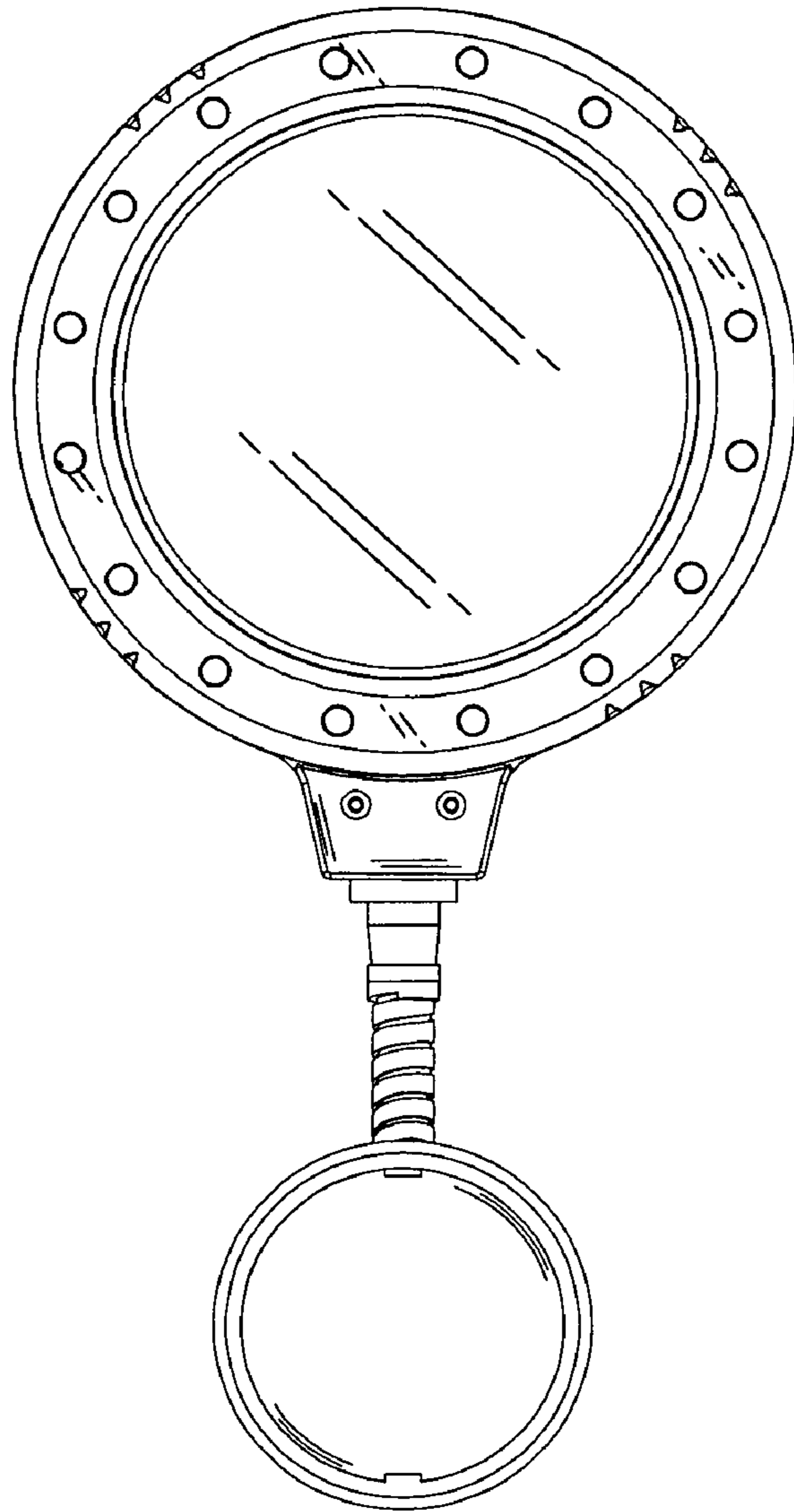


Fig. 7