



US00D661418S

(12) **United States Design Patent**
Ko

(10) **Patent No.:** **US D661,418 S**

(45) **Date of Patent:** **** Jun. 5, 2012**

(54) **BATTERY OPERATED CLAMP LIGHT**

(76) **Inventor:** **Wai-Shing Peter Ko**, Peachtree City,
GA (US)

(**) **Term:** **14 Years**

(21) **Appl. No.:** **29/391,730**

(22) **Filed:** **May 12, 2011**

(51) **LOC (9) Cl.** **26-05**

(52) **U.S. Cl.** **D26/60**

(58) **Field of Classification Search** D26/60,
D26/61, 63-66, 37-40, 46, 51; 362/157,
362/158, 183, 184, 189, 194, 198, 197, 202-204,
362/190, 191, 396, 419, 800, 253
See application file for complete search history.

(56) **References Cited**

U.S. PATENT DOCUMENTS

D447,586	S *	9/2001	Shing	D26/39
D524,975	S *	7/2006	Oas	D26/60
7,083,297	B2 *	8/2006	Matthews et al.	362/184
D541,965	S *	5/2007	Shiu	D26/60
7,278,764	B2 *	10/2007	Kim	362/382
7,284,875	B2 *	10/2007	Kim	362/120
D557,838	S *	12/2007	Shiu	D26/37

D585,577	S *	1/2009	Bonis	D26/49
7,703,940	B2 *	4/2010	Dalton et al.	362/191
7,850,329	B2 *	12/2010	Henry et al.	362/191

* cited by examiner

Primary Examiner — Susan M Lee

Assistant Examiner — Linda G. Brooks

(57) **CLAIM**

The ornamental design for a battery operated clamp light, as shown and described.

DESCRIPTION

FIG. 1 is a perspective view of a battery operated clamp light, showing my invention;

FIG. 2 is a front elevational view of the invention;

FIG. 3 is a rear elevational view of the invention;

FIG. 4 is a left-side elevational view of the invention;

FIG. 5 is a right-side elevational view of the invention;

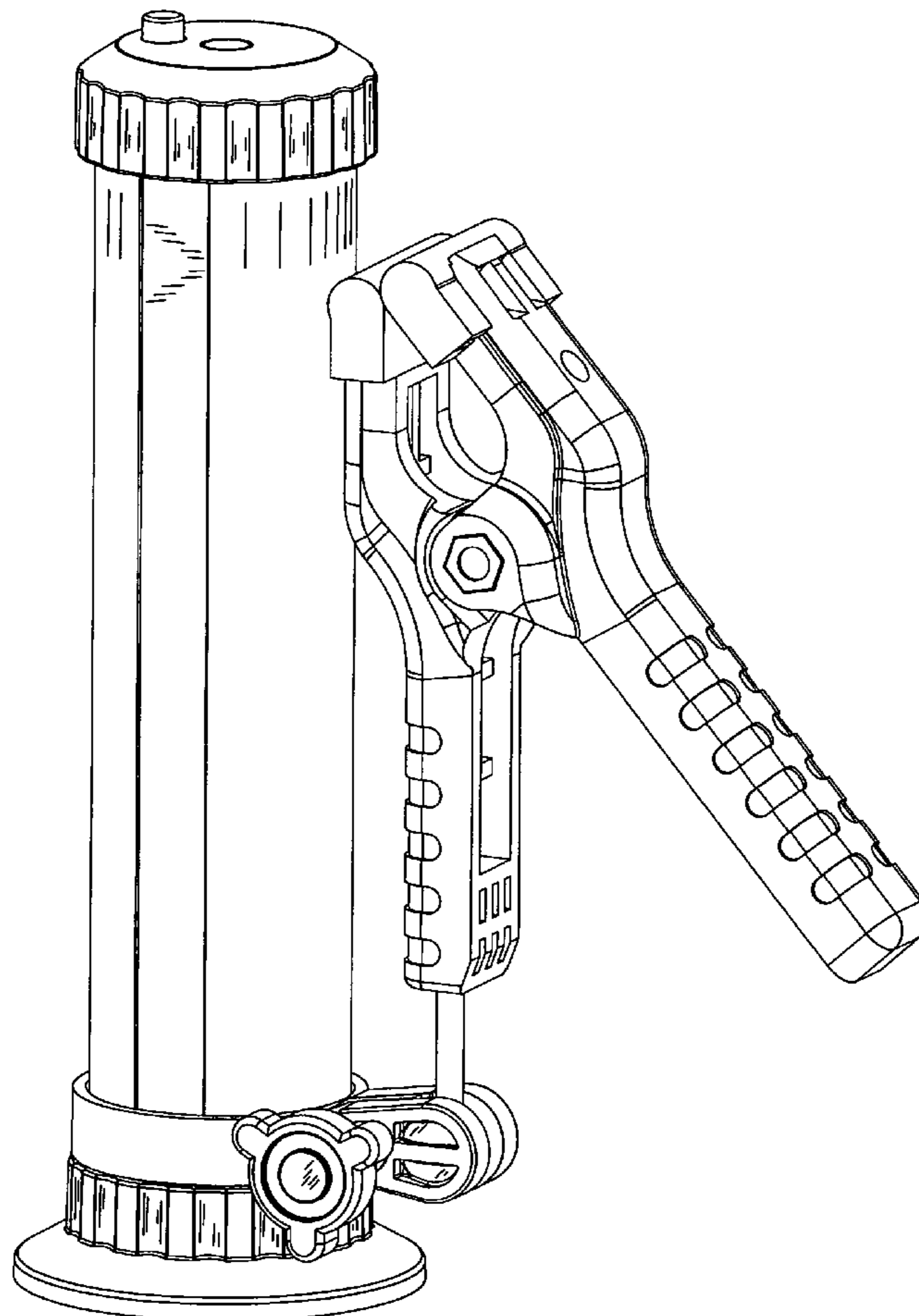
FIG. 6 is a top plan view of the invention;

FIG. 7 is a bottom plan view of the invention; and,

FIG. 8 is another front elevational view showing the clamp in an alternate position.

The broken lines represent unclaimed portions of the battery operated clamp light.

1 Claim, 6 Drawing Sheets



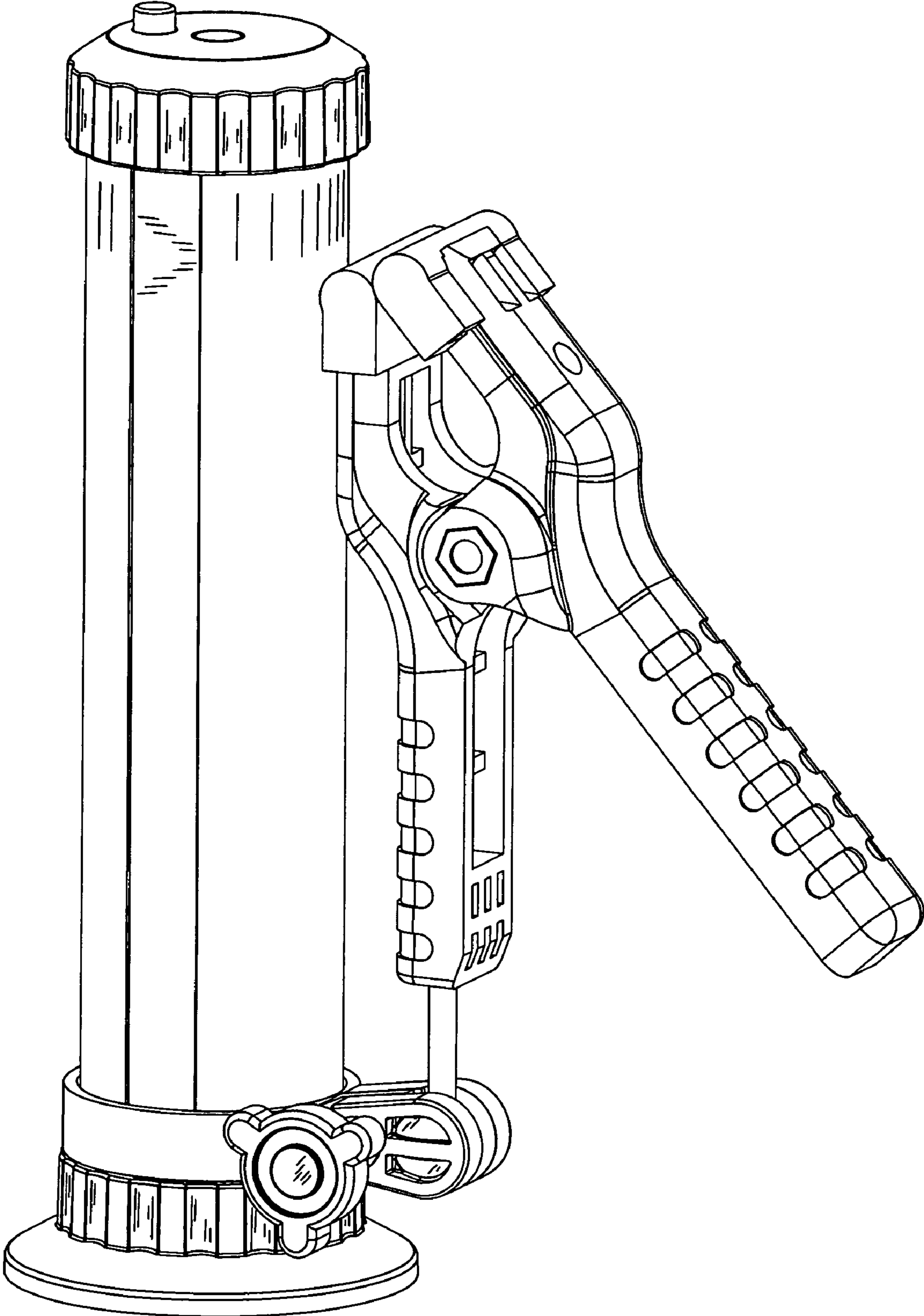


FIG. 1

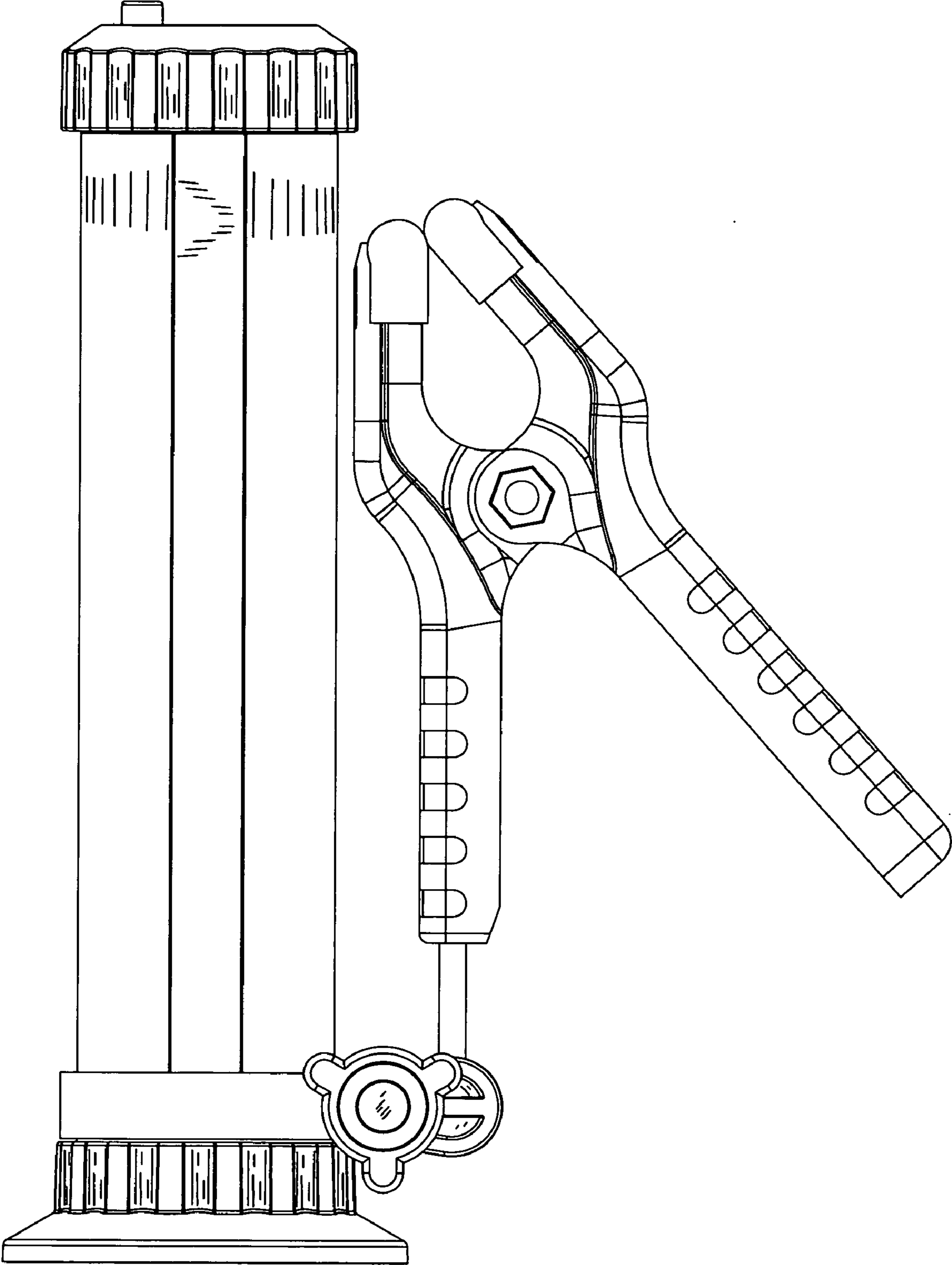


FIG. 2

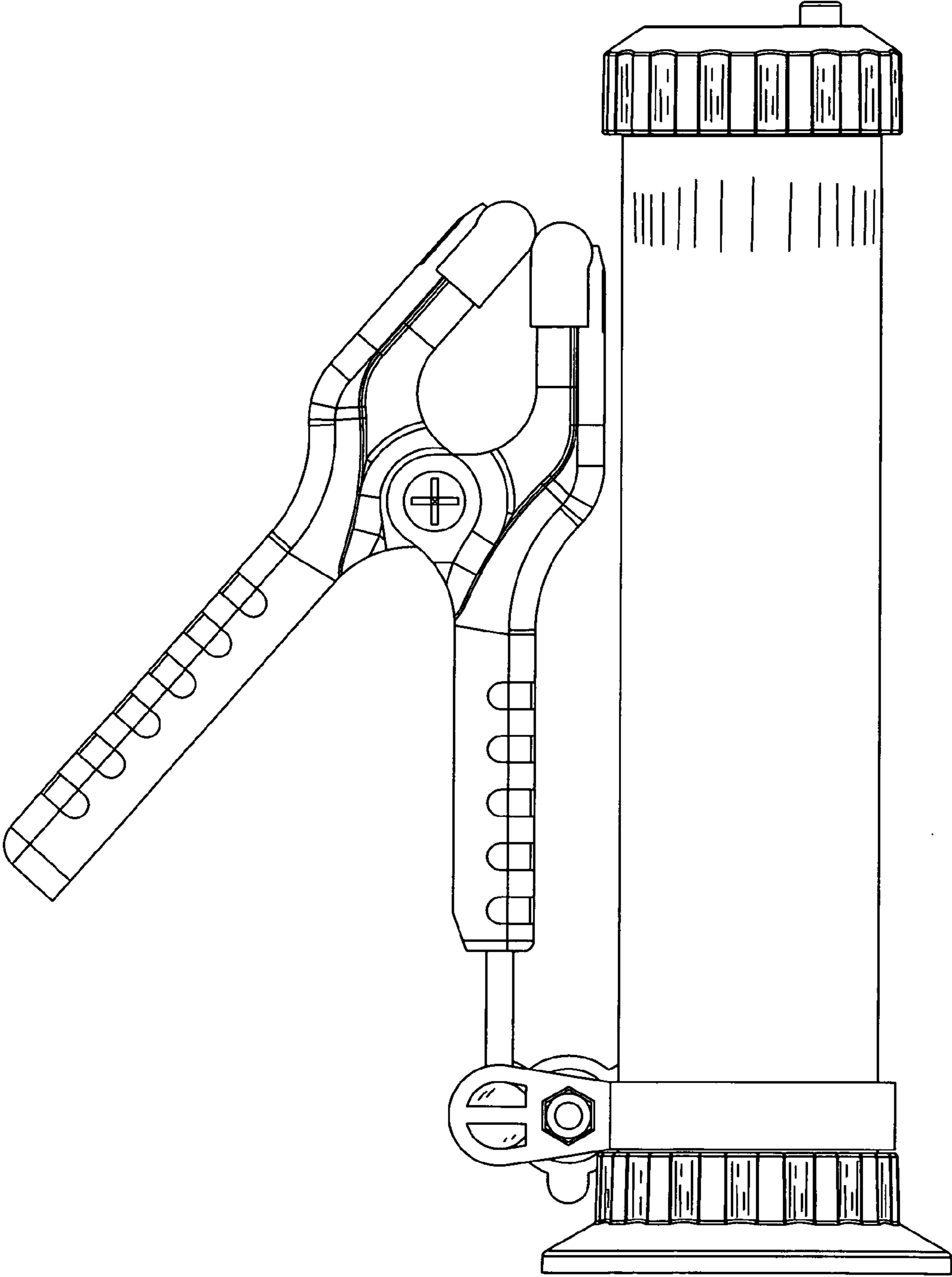


FIG. 3

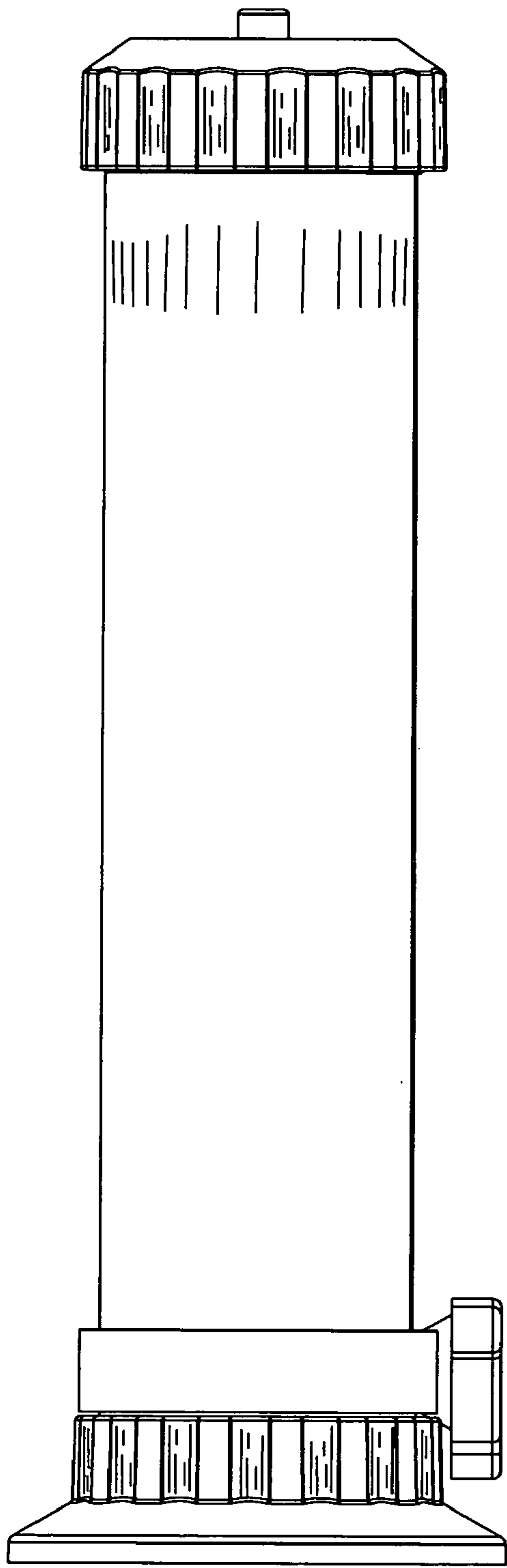


FIG. 4

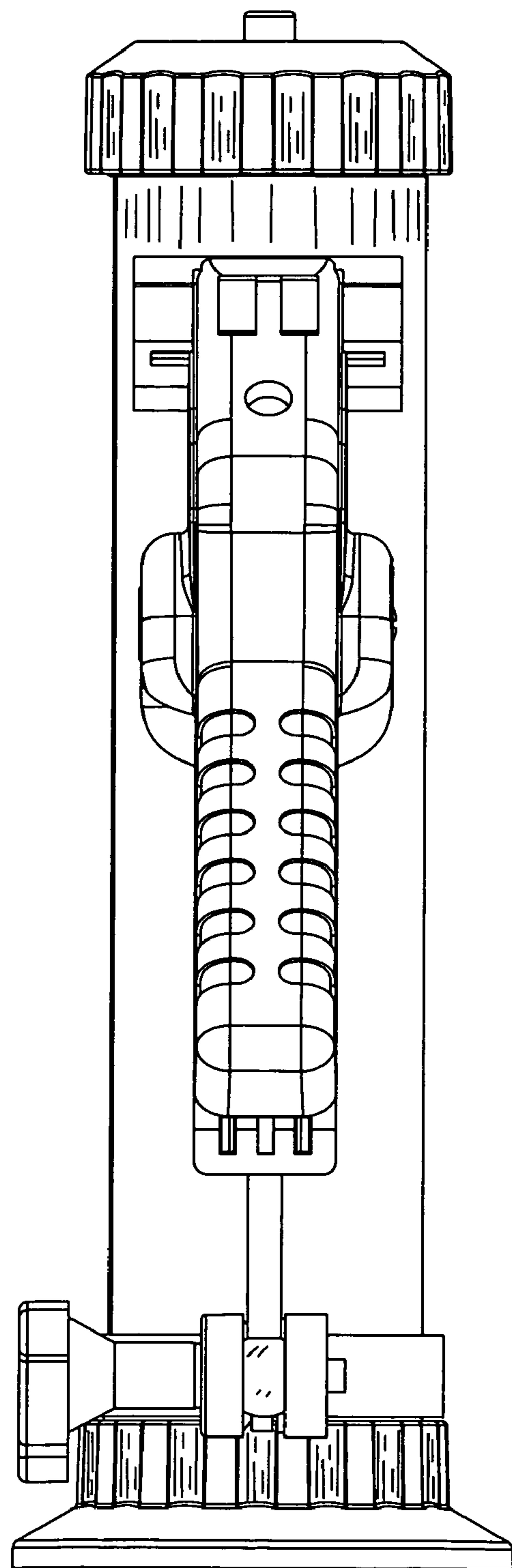


FIG. 5

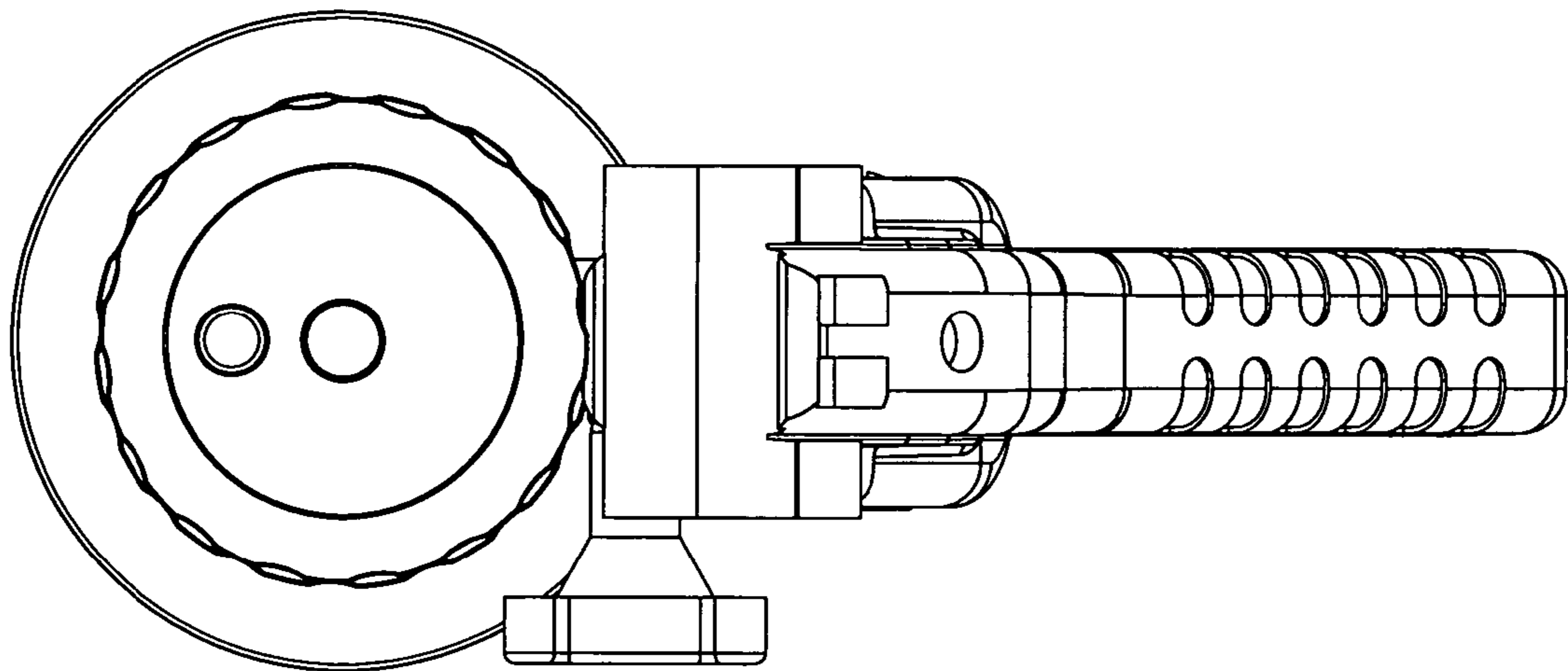


FIG. 6

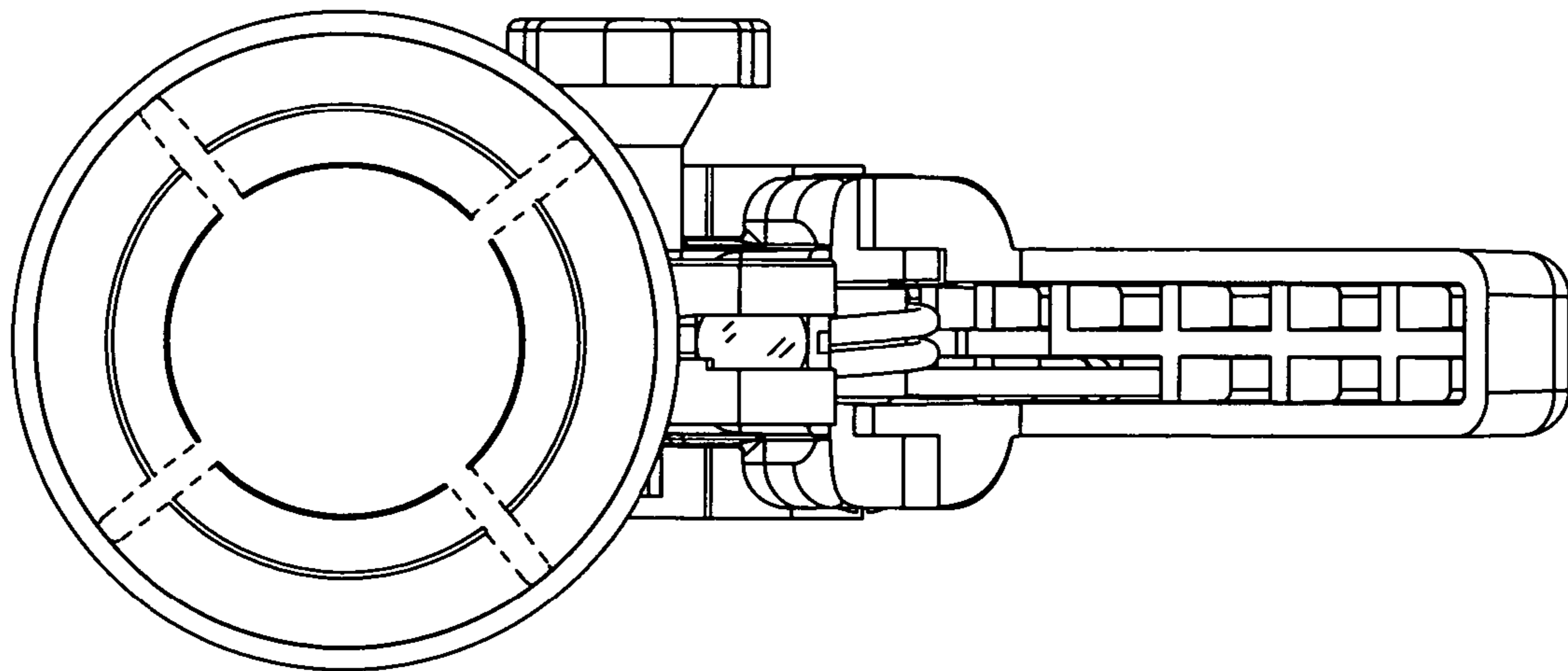


FIG. 7

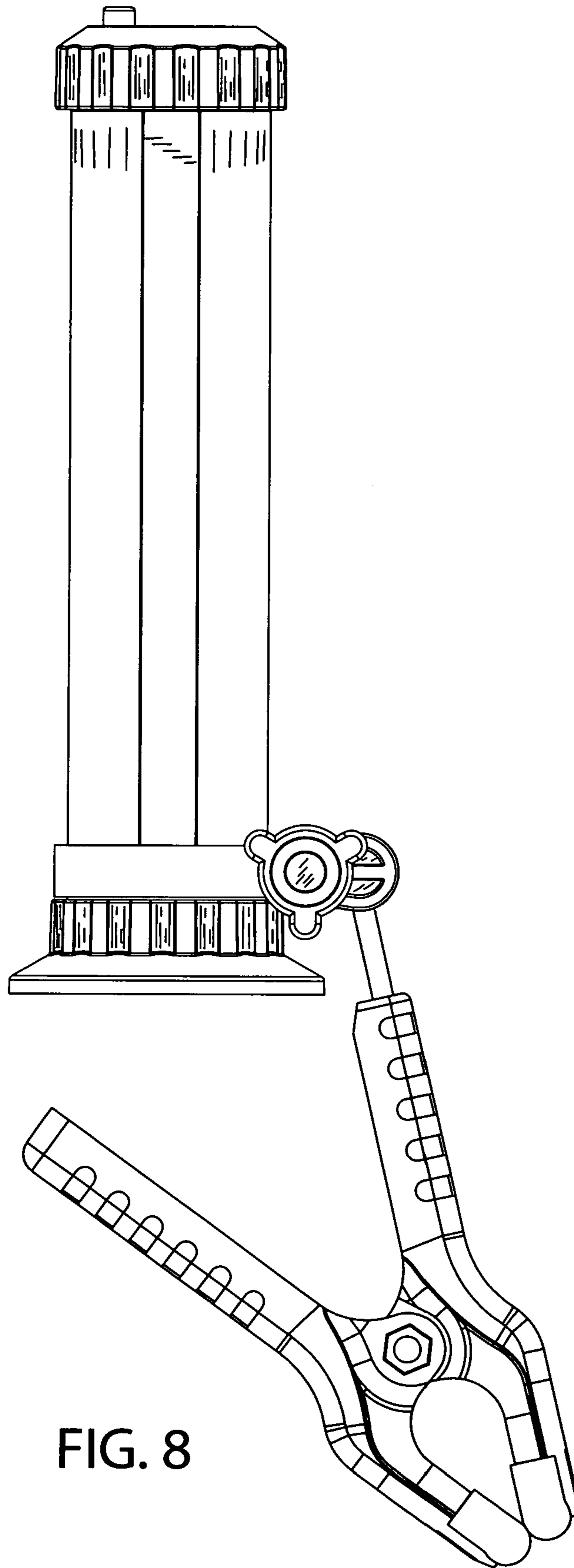


FIG. 8