

US00D661417S

(12) **United States Design Patent**  
**Kung**

(10) **Patent No.:** **US D661,417 S**

(45) **Date of Patent:** **\*\* Jun. 5, 2012**

(54) **LAMP UNIT**

(75) Inventor: **Kenneth Kung**, Columbus, OH (US)

(73) Assignee: **Dorcy International Inc.**, Columbus

(\*\*) Term: **14 Years**

(21) Appl. No.: **29/362,459**

(22) Filed: **May 26, 2010**

(51) **LOC (9) Cl.** ..... **26-02**

(52) **U.S. Cl.** ..... **D26/42**

(58) **Field of Classification Search** ..... D26/37,  
D26/38, 39, 40, 41, 42, 44, 45, 46, 51; 362/157,  
362/158, 183, 184, 171, 195-208, 253  
See application file for complete search history.

(56) **References Cited**

**U.S. PATENT DOCUMENTS**

D335,756	S	*	5/1993	Gaynor	.....	D26/42
D389,931	S	*	1/1998	Kovacik et al.	.....	D26/37
D409,776	S	*	5/1999	Ghode et al.	.....	D26/42
5,921,658	A	*	7/1999	Kovacik et al.	.....	362/199
D418,238	S	*	12/1999	Offiler	.....	D26/42
D483,508	S	*	12/2003	Galvez	.....	D26/44
D501,687	S	*	2/2005	Kovacik et al.	.....	D26/42
D501,688	S	*	2/2005	Kovacik et al.	.....	D26/42
D504,968	S	*	5/2005	Bayat et al.	.....	D26/42

D515,721	S	*	2/2006	Lin	.....	D26/44
D523,577	S	*	6/2006	Bayat et al.	.....	D26/42
D530,843	S	*	10/2006	Yamamoto	.....	D26/42
D538,457	S	*	3/2007	Kovacik et al.	.....	D26/42
7,367,698	B2	*	5/2008	Miller	.....	362/429
7,527,392	B2	*	5/2009	Kovacik et al.	.....	362/260
D596,326	S	*	7/2009	Jiang	.....	D26/42
D597,692	S	*	8/2009	Jiang	.....	D26/42

\* cited by examiner

*Primary Examiner* — Ian Simmons

*Assistant Examiner* — Carissa C Fitts

(57) **CLAIM**

The ornamental design for a lamp unit, as shown and described.

**DESCRIPTION**

FIG. 1 is a front elevational view of a lamp unit showing my new design;

FIG. 2 is a rear elevational view thereof;

FIG. 3 is a left side view thereof;

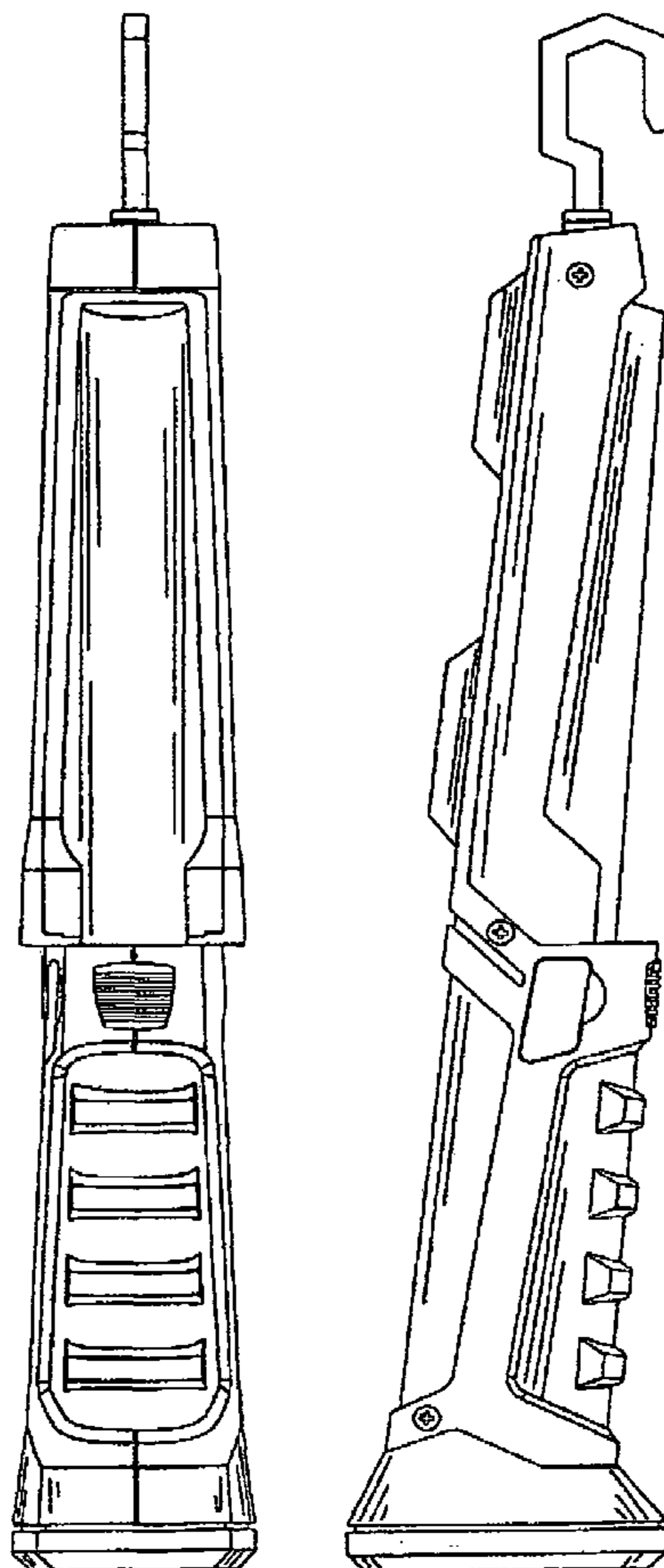
FIG. 4 is a right side view thereof;

FIG. 5 is an enlarged top plan view thereof; and,

FIG. 6 is an enlarged bottom plan view thereof.

The broken line showing is for environmental purposes only and forms no part of the claimed design.

**1 Claim, 5 Drawing Sheets**



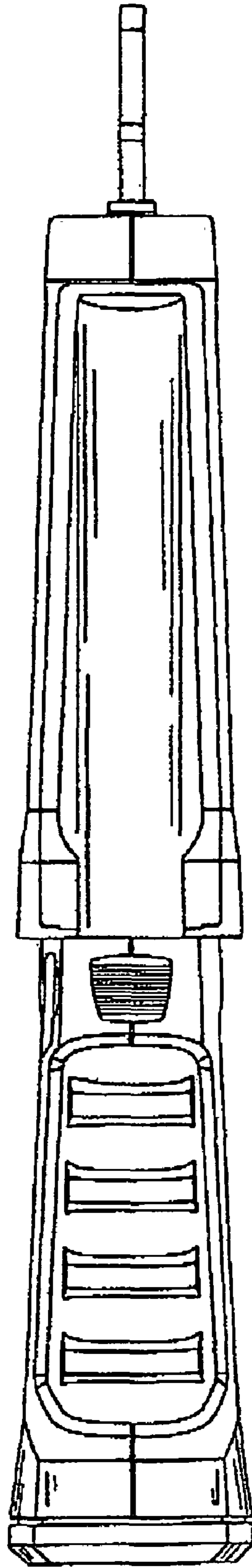


FIG. 1

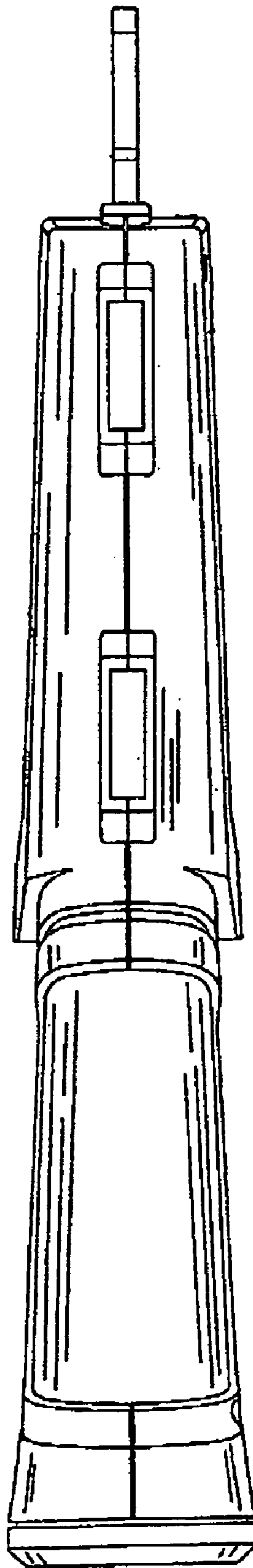


FIG. 2

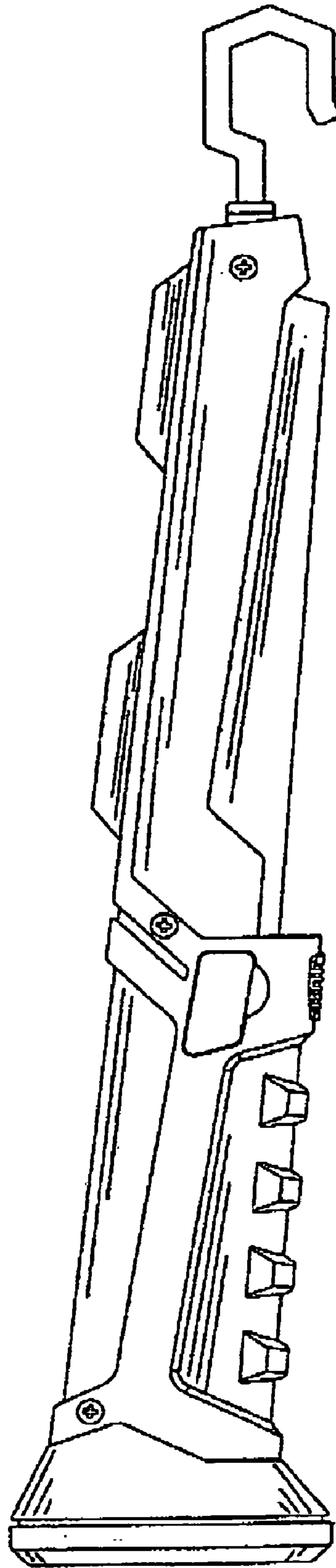


FIG. 3

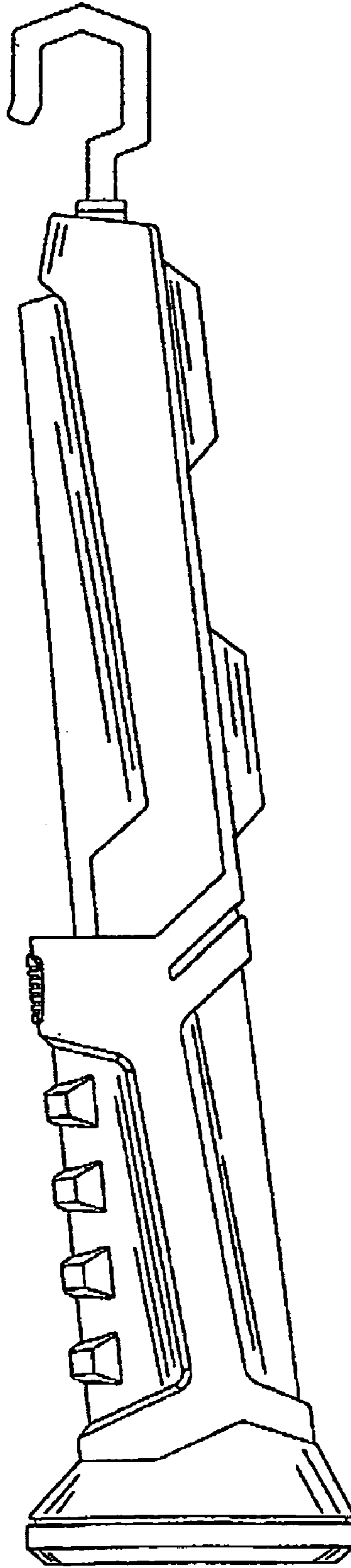


FIG. 4

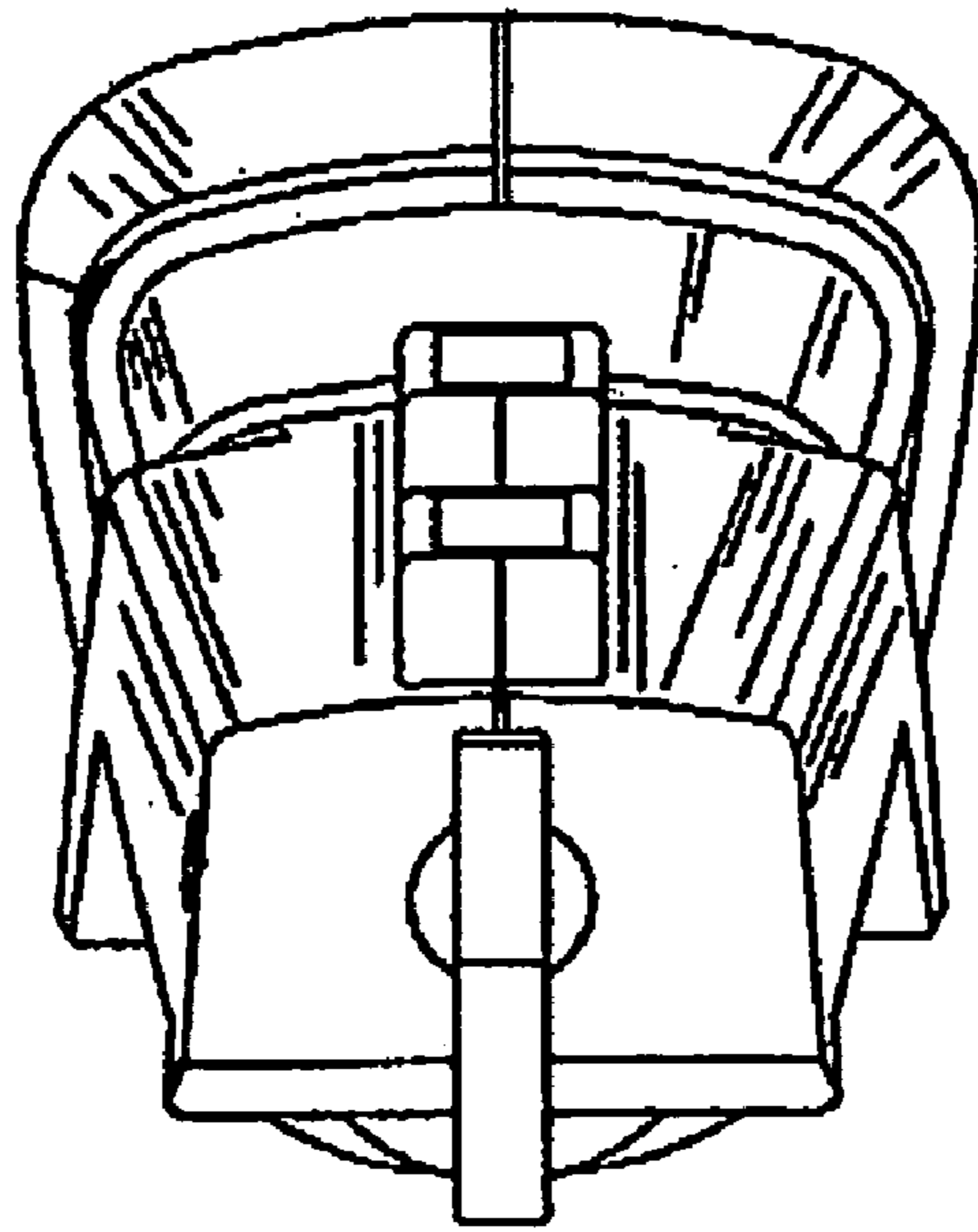


FIG. 5

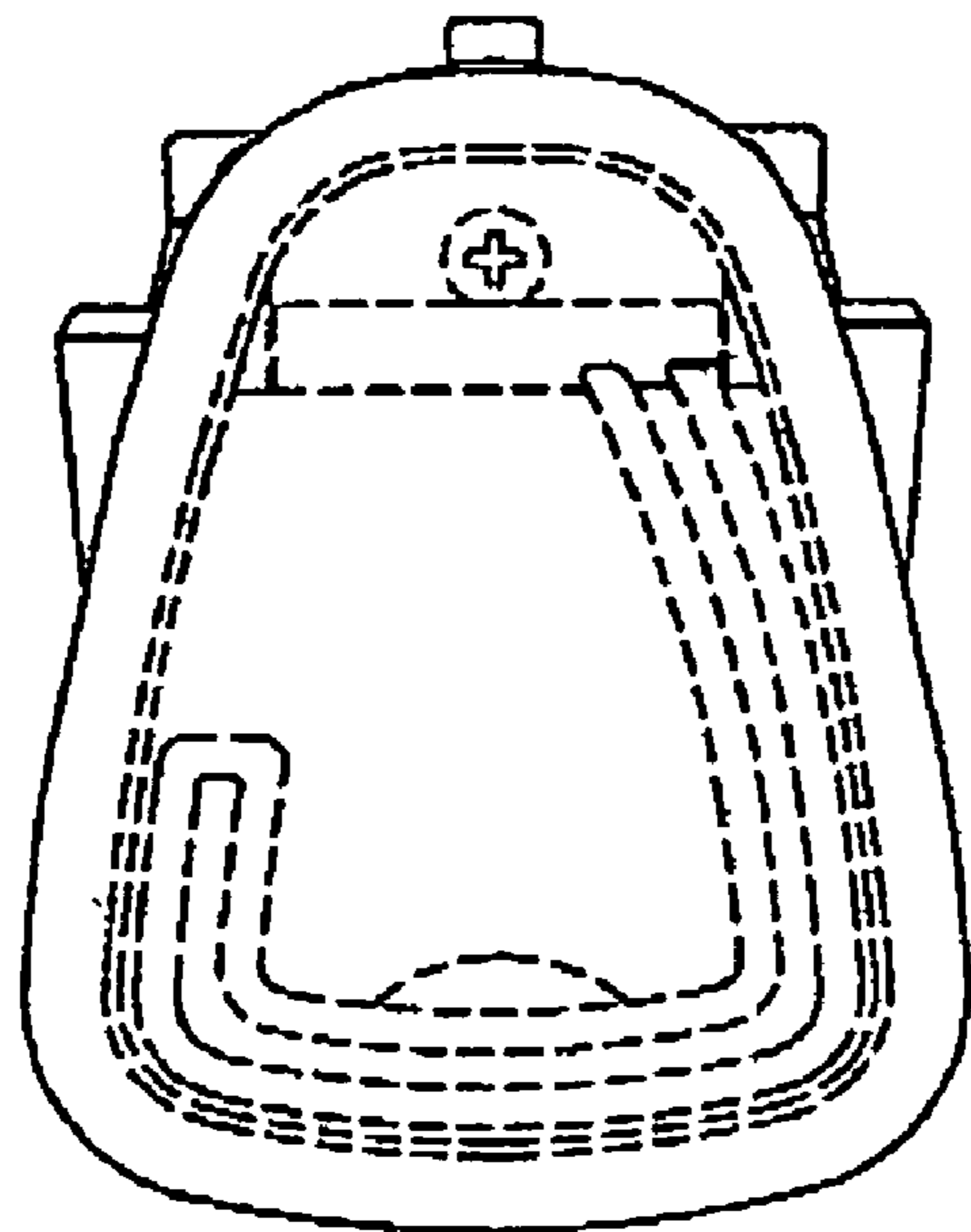


FIG. 6