



US00D661416S

(12) **United States Design Patent**  
**Mase et al.**

(10) **Patent No.:** **US D661,416 S**  
(45) **Date of Patent:** **\*\* Jun. 5, 2012**

- (54) **LIGHT-EMITTING DIODE LAMP**
- (75) Inventors: **Nobuyuki Mase**, Nara (JP); **Yoshitaka Kurimoto**, Osaka (JP); **Katsushi Seki**, Shiga (JP); **Keisuke Imamura**, Osaka (JP); **Yosuke Fujimaki**, Osaka (JP); **Masashi Sakata**, Osaka (JP); **Nozomu Hashimoto**, Osaka (JP); **Masato Matsumoto**, Osaka (JP)
- (73) Assignee: **Panasonic Corporation**, Osaka (JP)
- (\*\*) Term: **14 Years**
- (21) Appl. No.: **29/401,488**
- (22) Filed: **Sep. 12, 2011**
- (30) **Foreign Application Priority Data**  
Aug. 1, 2011 (JP) ..... 2011-017613
- (51) **LOC (9) Cl.** ..... **26-04**
- (52) **U.S. Cl.** ..... **D26/2**
- (58) **Field of Classification Search** ..... D26/1-4;  
313/313, 315, 316, 317, 318, 493; 315/52,  
315/53, 56, 57, 58  
See application file for complete search history.

- D613,888 S \* 4/2010 Hiraga et al. .... D26/2
- D614,319 S \* 4/2010 Murakami ..... D26/2
- D617,420 S \* 6/2010 Lee ..... D23/223
- D629,130 S 12/2010 Murakami et al.
- D633,227 S 2/2011 Murakami et al.
- D646,804 S \* 10/2011 Murakami et al. .... D26/2

**FOREIGN PATENT DOCUMENTS**

JP	1405064	1/2011
JP	1405065	1/2011
JP	1406049	1/2011
JP	1406050	1/2011

\* cited by examiner

*Primary Examiner* — Marcus Jackson

(74) *Attorney, Agent, or Firm* — Panasonic Patent Center; Dhiren Odedra; Kerry Culpepper

(57) **CLAIM**

We claim the ornamental design for a light-emitting diode lamp, as shown and described.

**DESCRIPTION**

FIG. 1 is a top perspective view of a light-emitting diode lamp of the present invention;  
FIG. 2 is a front view thereof;  
FIG. 3 is a rear view thereof;  
FIG. 4 is a first side view thereof;  
FIG. 5 is a second side view thereof;  
FIG. 6 is a top view thereof; and  
FIG. 7 is a bottom view thereof.

The broken line showing of light-emitting diode lamp is included for the purpose of illustrating environment and forms no part of the claimed design.

**1 Claim, 7 Drawing Sheets**

(56) **References Cited**

**U.S. PATENT DOCUMENTS**

D480,486 S	*	10/2003	Kakuno et al. ....	D26/2
D487,939 S	*	3/2004	Smith .....	D26/2
D506,840 S	*	6/2005	Van de Ven et al. ....	D26/2
D534,665 S	*	1/2007	Egawa et al. ....	D26/2
D602,614 S	*	10/2009	Takahashi et al. ....	D26/2

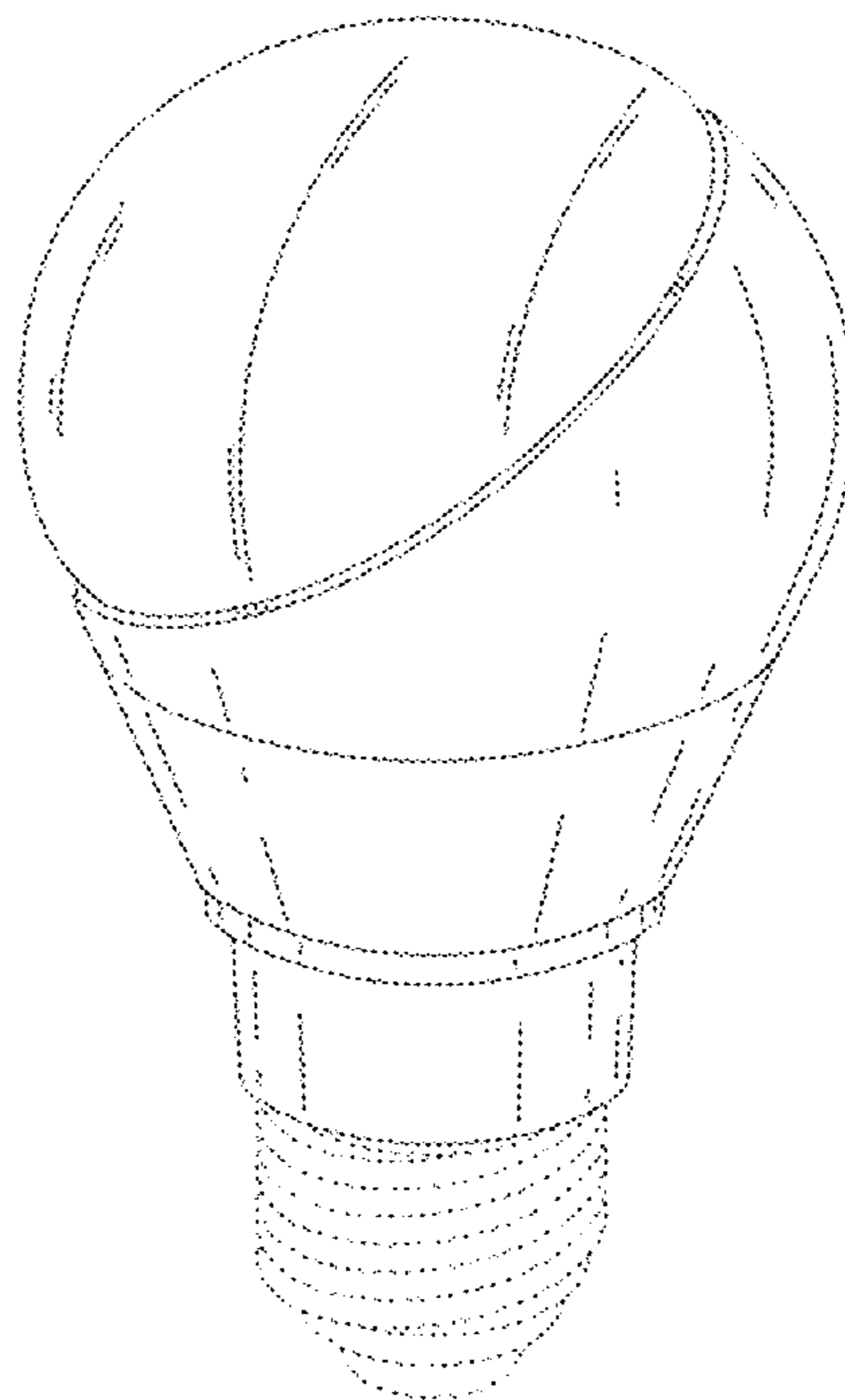


FIG. 1

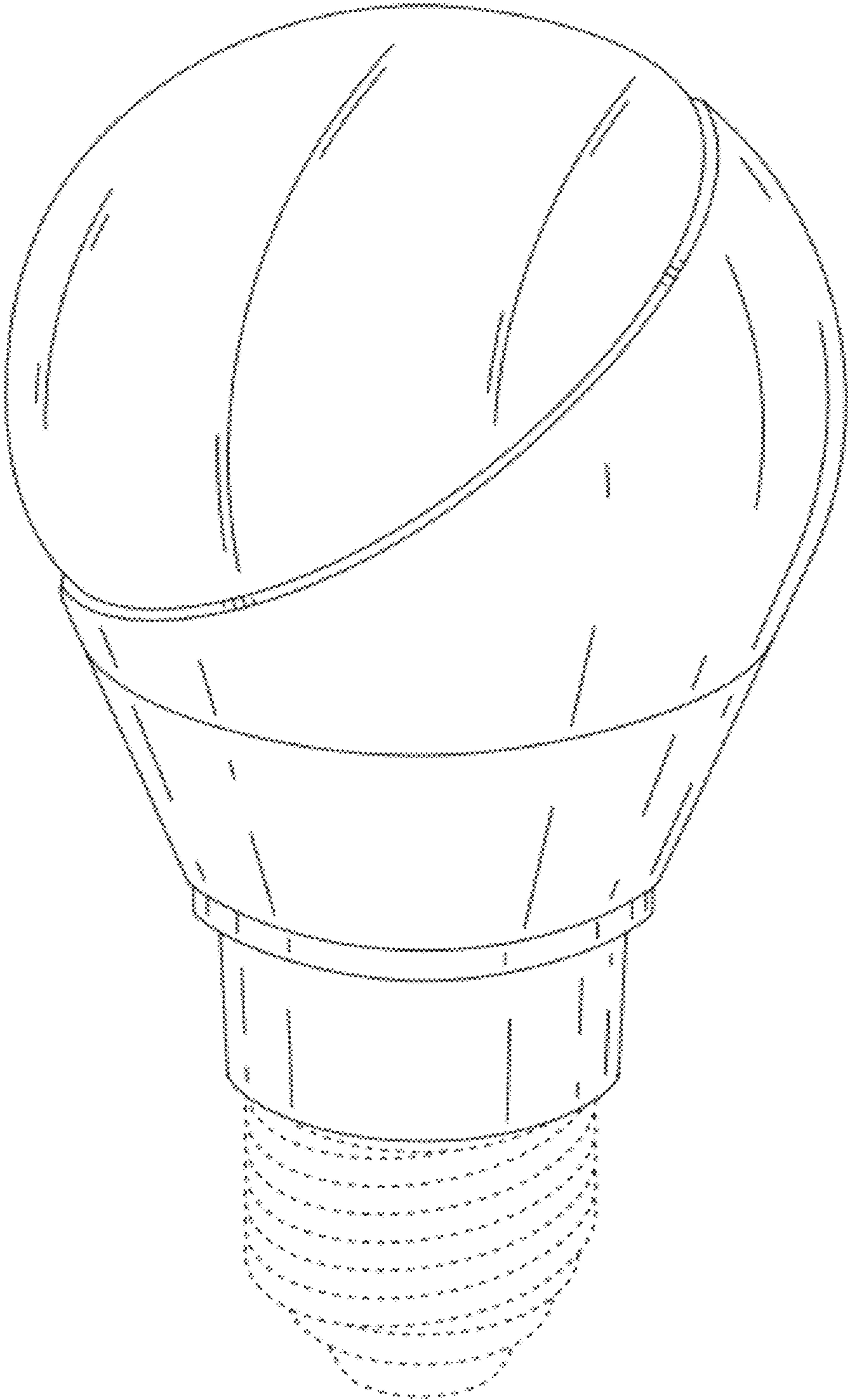


FIG. 2

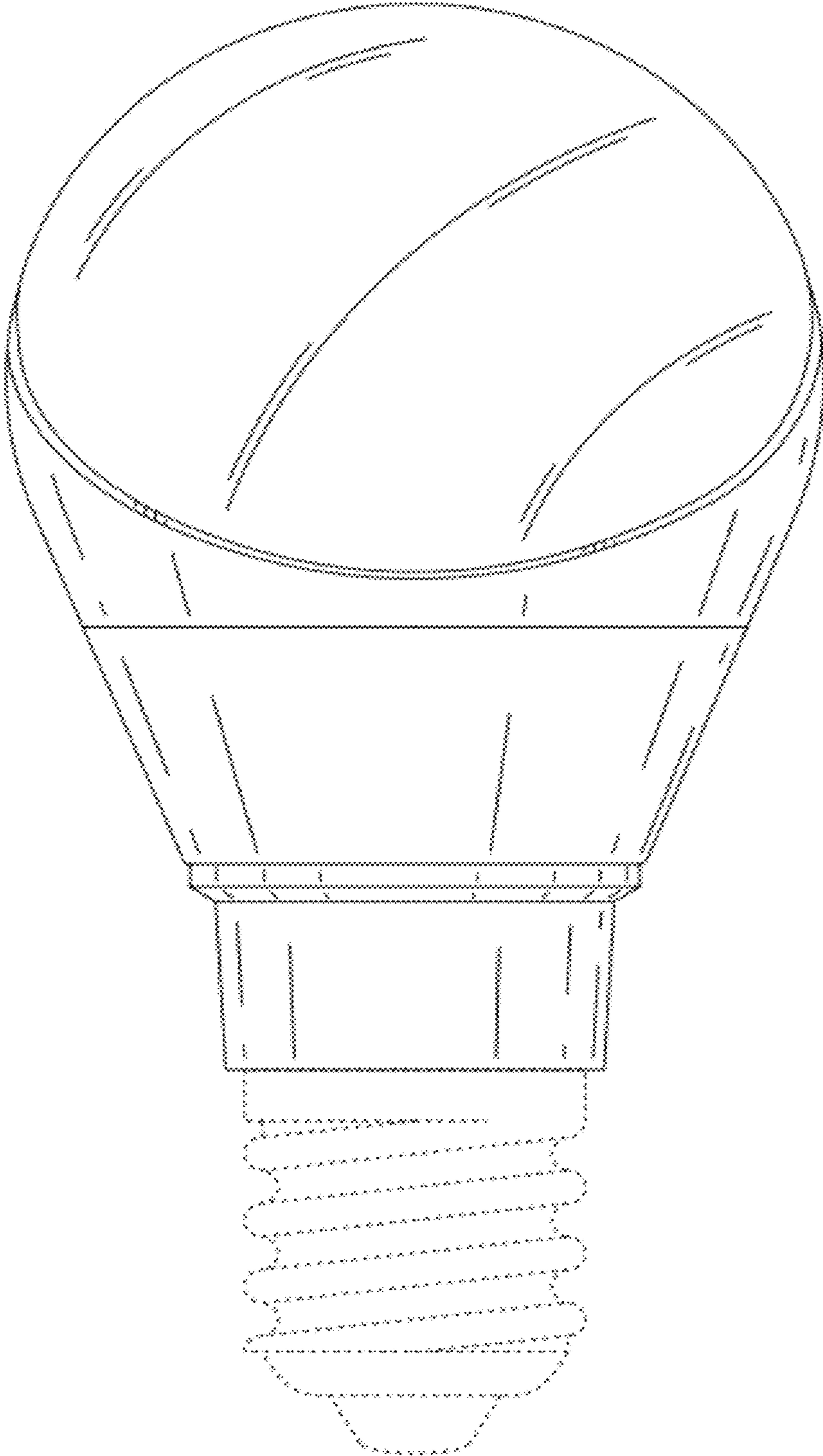


FIG. 3

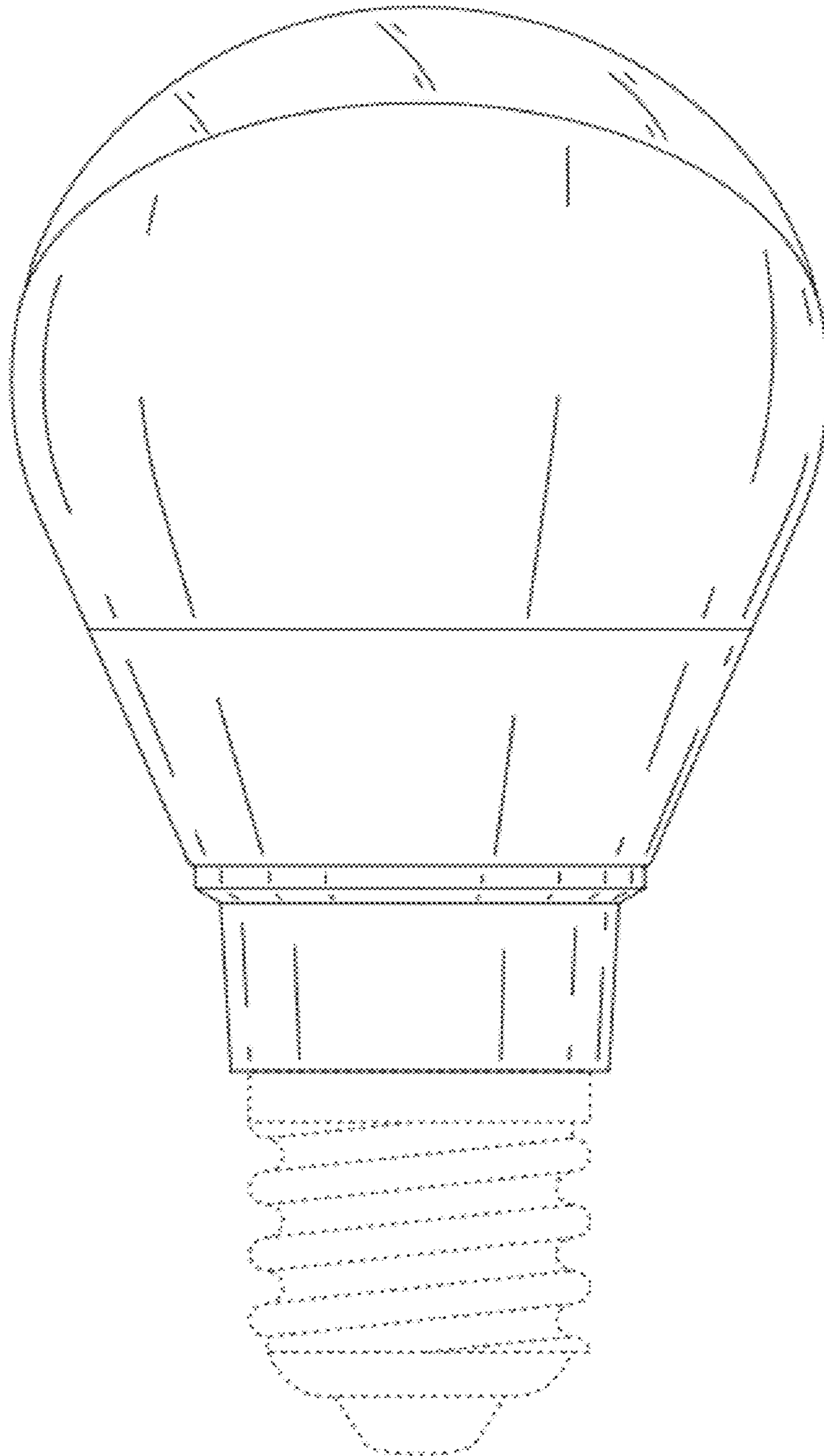


FIG. 4

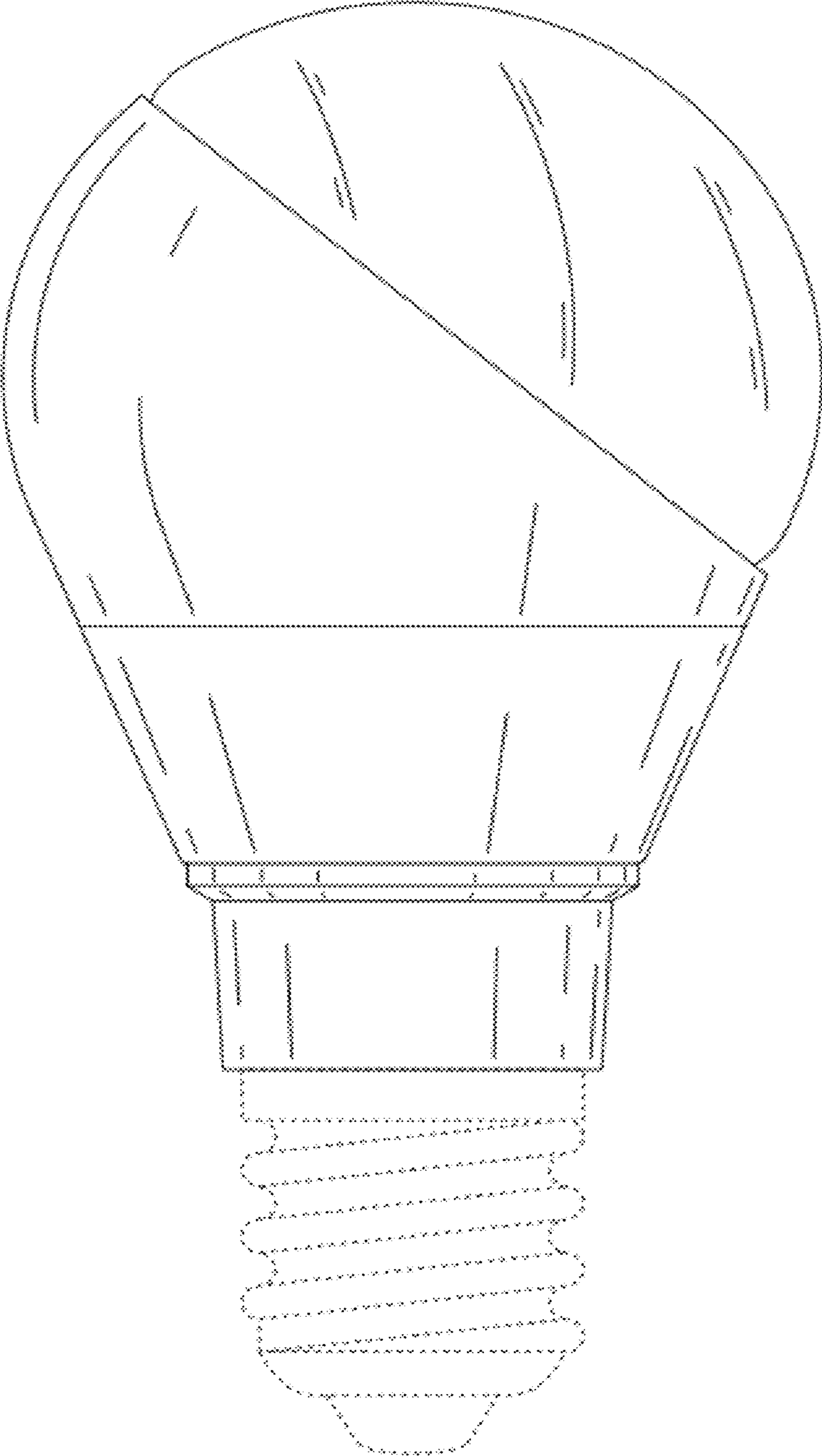




FIG. 5

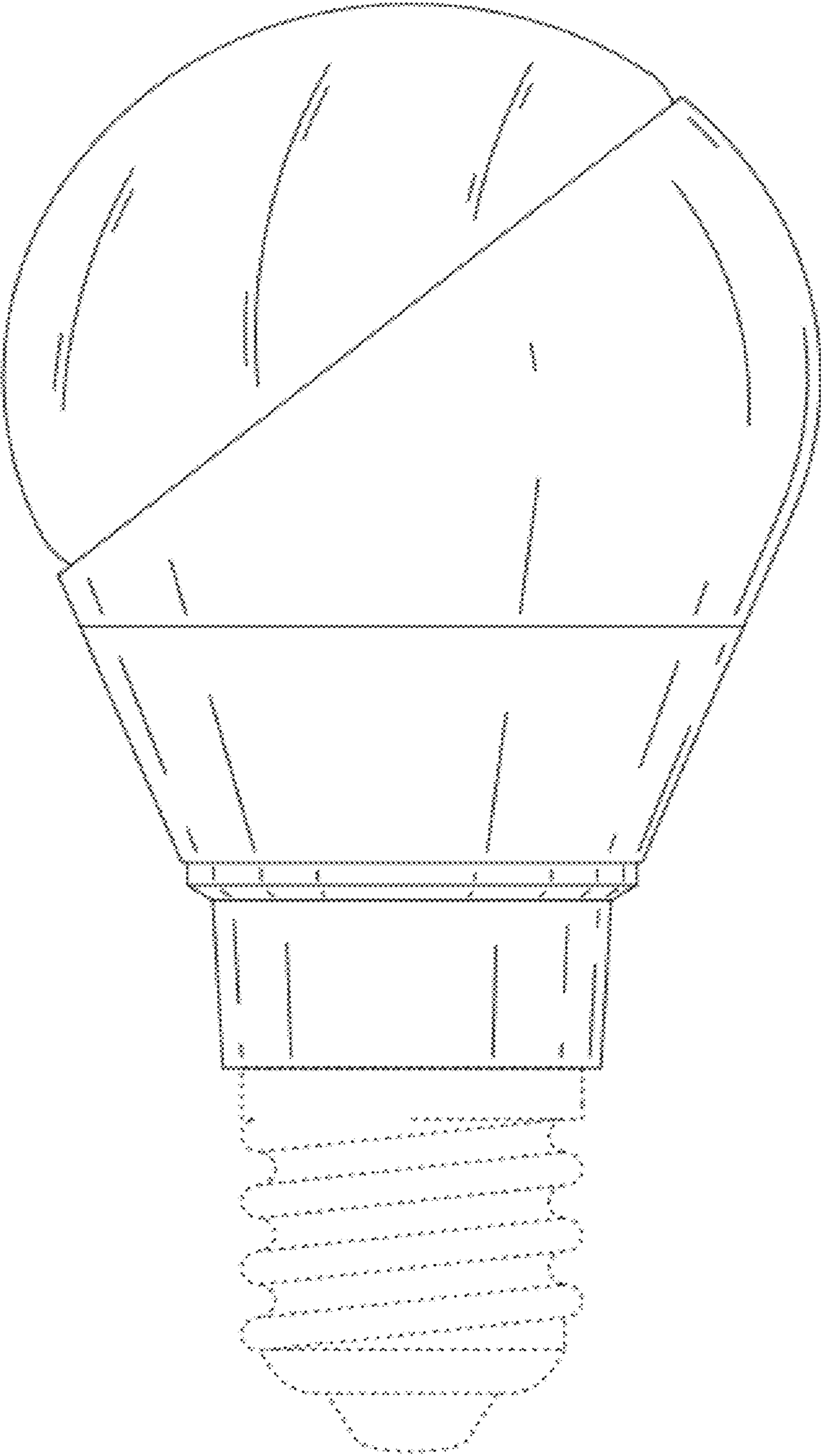


FIG. 6

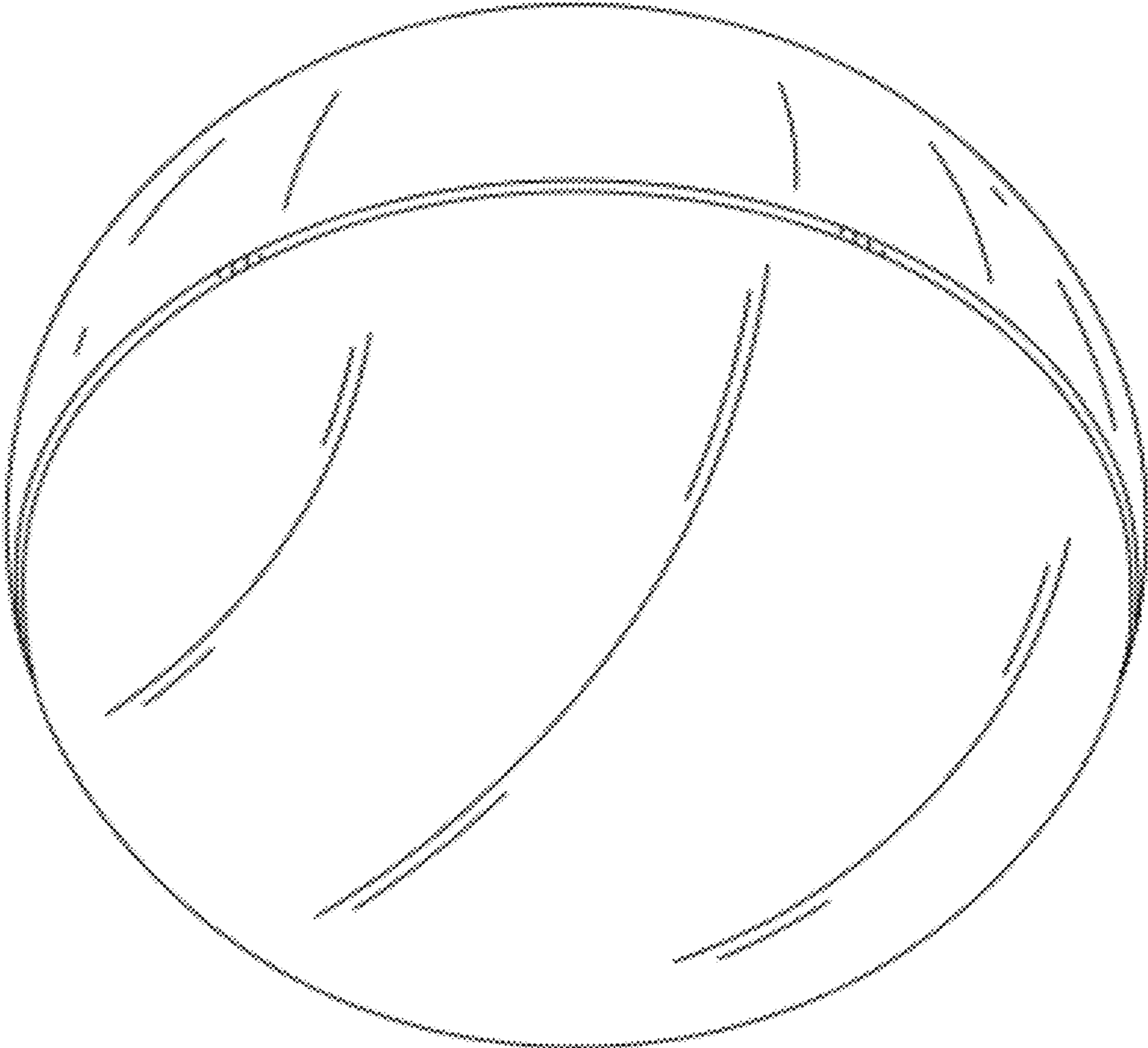


FIG. 7

