



US00D661413S

(12) **United States Design Patent**
Maxik et al.

(10) **Patent No.:** **US D661,413 S**
(45) **Date of Patent:** **** Jun. 5, 2012**

(54) **PORTION OF A LAMP**

(75) Inventors: **Fredric S. Maxik**, Indialantic, FL (US);
David Henderson, Indialantic, FL (US);
Mark Penley Boomgaarden, Indian
Harbour Beach, FL (US); **Addy S.**
Widjaja, Palm Bay, FL (US); **Emilio**
Flores, Indian Harbor, FL (US); **Shane**
Sullivan, Indialantic, FL (US); **Wei Sun**,
Davie, FL (US)

(73) Assignee: **Lighting Science Group Corporation**,
Satellite Beach, FL (US)

(**) Term: **14 Years**

(21) Appl. No.: **29/376,702**

(22) Filed: **Oct. 11, 2010**

Related U.S. Application Data

(62) Division of application No. 29/360,985, filed on May
4, 2010.

(51) **LOC (9) Cl.** **26-04**

(52) **U.S. Cl.** **D26/2**

(58) **Field of Classification Search** D26/1-4;
313/313, 315, 316, 317, 318, 493; 315/52,
315/53, 56, 57, 58

See application file for complete search history.

(56) **References Cited**

U.S. PATENT DOCUMENTS

4,375,607 A 3/1983 Morton et al.
(Continued)

FOREIGN PATENT DOCUMENTS

WO 2006118457 11/2006
(Continued)

OTHER PUBLICATIONS

SP-E27 LB60 Nicha/Cree LED Lamp, posted Dec. 18, 2008, http://www.diytrade.com/china/4/products/4950147/SP-E27_LB60_Nicha_Cree_LED_Lamp.html, accessed Jun. 30, 2009 (2 pages).

(Continued)

Primary Examiner — Marcus Jackson

(74) *Attorney, Agent, or Firm* — Cantor Colburn LLP

(57) **CLAIM**

We claim, the ornamental design for a portion of lamp, as shown and described.

DESCRIPTION

FIG. 1 is a side plan view of a first embodiment of the invention, the portion of a lamp being symmetric about a center axis;

FIG. 2 is a top plan view of the embodiment of FIG. 1;

FIG. 3 is a bottom plan view of the embodiment of FIG. 1;

FIG. 4 is a first perspective view of the embodiment of FIG. 1; and,

FIG. 5 is a second perspective view of the embodiment of FIG. 1.

The degree of transparency or opaqueness of the lens of the portion of a lamp forms no part of the claimed design. The lens of the claimed portion of a lamp may have facets, lenslets or other treatments.

The dotted lines shown in FIG. 1-2 and 4 indicate that the lens portion of the luminaire may be flat or curved.

The dash-dot-dot lines shown between the heat sink portion and base portion in FIGS. 1 and 3 indicates that the heat sink portion may be of any length.

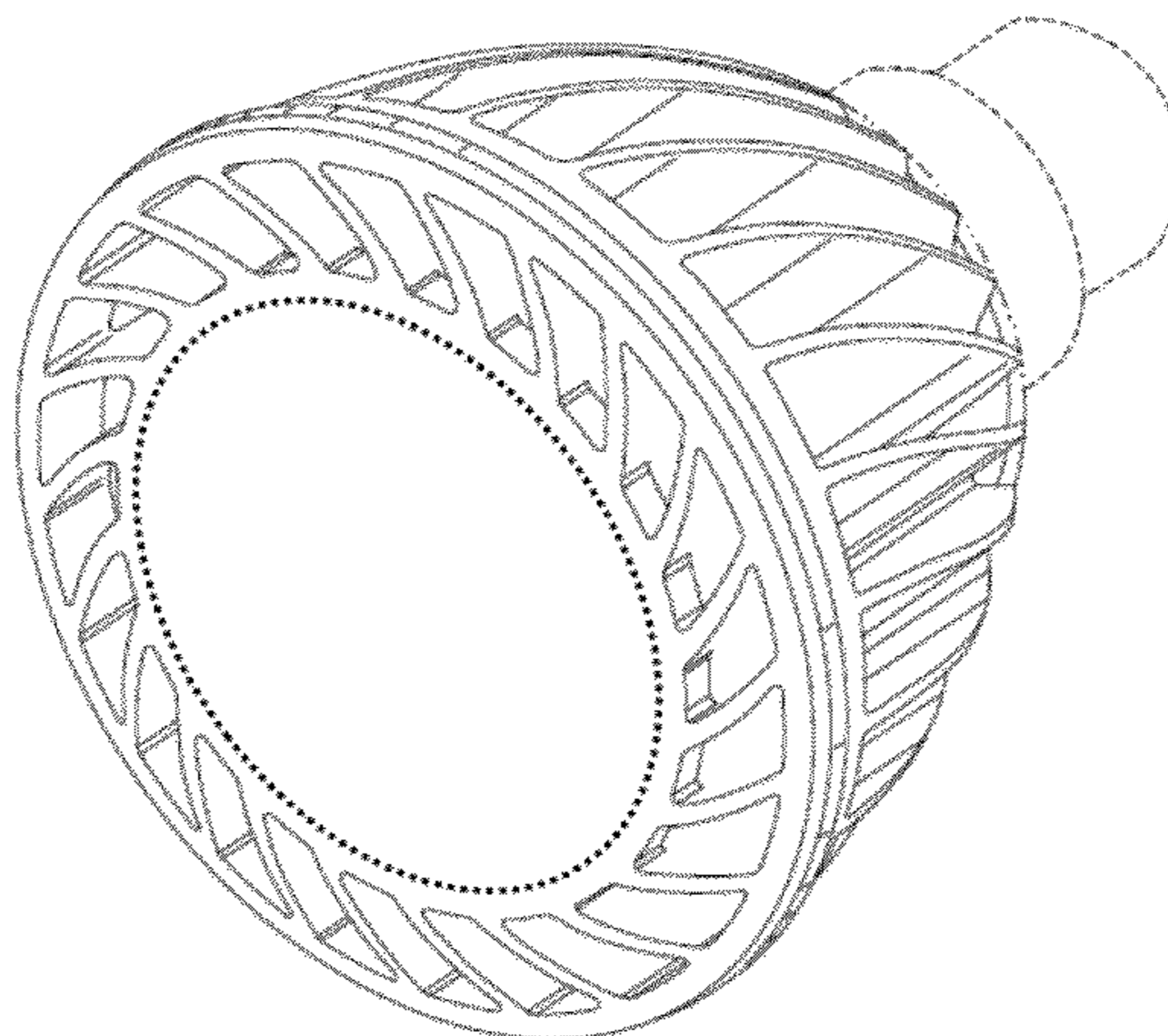
The phantom lines shown in FIGS. 1 and 3 are environmental and not part of the claimed design.

The color and shading of the portion of a lamp forms no part of the claimed design, the portion of a lamp according to the claimed design may be any color or combination of colors.

The surface treatment of the portion of a lamp forms no part of the claimed design, the portion of a lamp of the claimed design may have any surface treatment.

References to “side”, “top”, “front” and “bottom” in the figure descriptions are not meant to require certain in-use orientation; a luminaire according to the claimed design may be used in any orientation.

1 Claim, 5 Drawing Sheets



US D661,413 S

Page 2

U.S. PATENT DOCUMENTS

4,392,076	A	7/1983	Ishler et al.	
D271,424	S	11/1983	Young et al.	
D307,805	S	5/1990	Noe	
D321,260	S	10/1991	Bowman	
5,458,505	A	10/1995	Prager	
D391,006	S	2/1998	Yang	
5,791,769	A	8/1998	Yang	
D470,610	S	2/2003	Bobel	
6,515,433	B1	2/2003	Ge et al.	
D480,486	S	10/2003	Kakuno et al.	
6,655,823	B2	12/2003	Chang	
6,786,625	B2	9/2004	Wesson	
D497,439	S	10/2004	Shaw et al.	
6,848,812	B1	2/2005	Hsieh	
D508,575	S	8/2005	Buschmann et al.	
D516,229	S	2/2006	Tang	
D527,119	S	8/2006	Maxik et al.	
D528,227	S	9/2006	Chou et al.	
D528,673	S	9/2006	Maxik et al.	
D531,741	S	11/2006	Takahashi	
D534,665	S	1/2007	Egawa et al.	
D538,950	S	3/2007	Maxik	
D538,951	S	3/2007	Maxik et al.	
D538,952	S	3/2007	Maxik et al.	
D541,957	S	5/2007	Wang	
D545,457	S	6/2007	Chen	
7,226,189	B2	6/2007	Lee et al.	
D560,286	S	1/2008	Maxik et al.	
D566,300	S *	4/2008	Lo	D26/2
7,367,688	B1	5/2008	Bucher et al.	
D570,504	S *	6/2008	Maxik et al.	D26/2
D570,505	S	6/2008	Maxik et al.	
D572,385	S *	7/2008	Mazzoquette et al.	D26/2
7,434,964	B1	10/2008	Zheng et al.	
D581,554	S	11/2008	To et al.	
D581,583	S	11/2008	Peng	
7,448,772	B2	11/2008	Hampton	
D584,837	S	1/2009	Mazzoquette et al.	
D586,497	S	2/2009	Wu et al.	
7,513,653	B1	4/2009	Liu et al.	
D593,222	S	5/2009	To et al.	
D594,143	S	6/2009	Montagnat et al.	
D594,995	S	6/2009	Komar	
D595,893	S	7/2009	Maxik et al.	
D597,704	S	8/2009	Peng	
D600,850	S	9/2009	Maxik et al.	

D601,276	S	9/2009	Grajcar	
D601,277	S	9/2009	Grajcar	
D601,278	S	9/2009	Takahashi	
D601,279	S	9/2009	Ou et al.	
D607,586	S	1/2010	Ko	
D608,478	S	1/2010	Maxik et al.	
D610,271	S	2/2010	Bi	
D610,722	S	2/2010	Bi	
D612,956	S	3/2010	Moon	
D613,433	S	4/2010	Moon	
7,717,590	B1	5/2010	Li	
D617,915	S	6/2010	Wada et al.	
D618,369	S	6/2010	Lee et al.	
D620,153	S	7/2010	Wang et al.	
D623,777	S	9/2010	Moon et al.	
D623,778	S	9/2010	Moon et al.	
D623,779	S	9/2010	Wang et al.	
D624,214	S	9/2010	Thomas et al.	
D624,215	S	9/2010	Moon et al.	
D624,669	S	9/2010	Tsai	
D625,437	S	10/2010	Zhang et al.	
D626,260	S	10/2010	Wei	
D626,667	S	11/2010	Jonsson et al.	
D627,087	S	11/2010	Jonsson et al.	
D628,322	S	11/2010	Sakai et al.	
D628,720	S *	12/2010	Wang	D26/2
D629,129	S *	12/2010	Lin et al.	D26/2
D629,930	S	12/2010	Cotter et al.	
D634,031	S	3/2011	de Visser et al.	
D634,037	S	3/2011	Jeong et al.	
2006/0215408	A1	9/2006	Lee	
2007/0285926	A1	12/2007	Maxik	
2008/0253125	A1	10/2008	Kang et al.	
2009/0141500	A1	6/2009	Peng	
2009/0296402	A1	12/2009	Chang et al.	
2010/0027270	A1	2/2010	Huang et al.	
2010/0091487	A1	4/2010	Shin	

FOREIGN PATENT DOCUMENTS

WO 2008113837 A2 9/2008

OTHER PUBLICATIONS

F.S. Maxik, "GU10 Lamp" Office Action mailed Mar. 16, 2011; U.S. Appl. No. 29/340,670, filed Jul. 23, 2009.

* cited by examiner

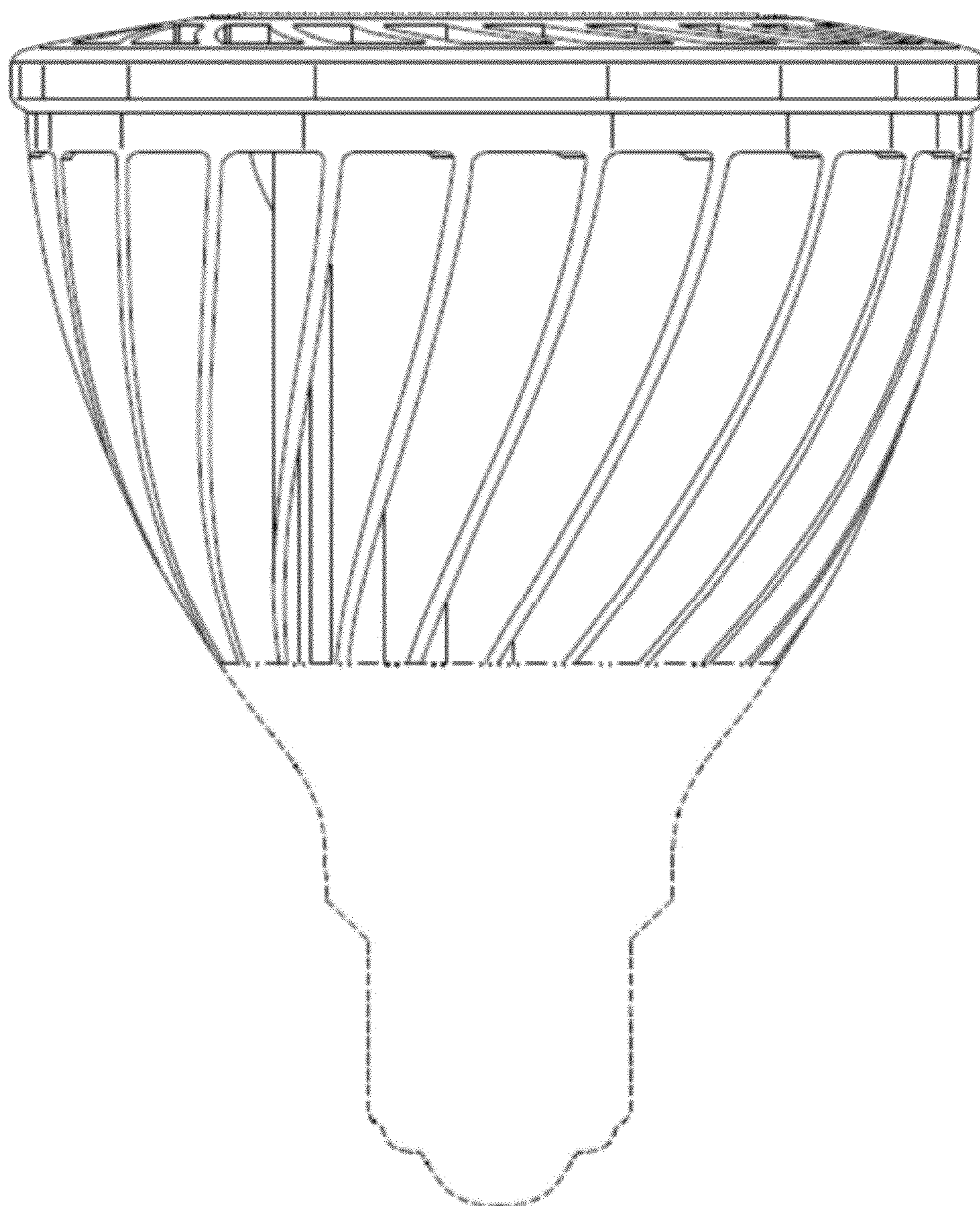


Fig. 1

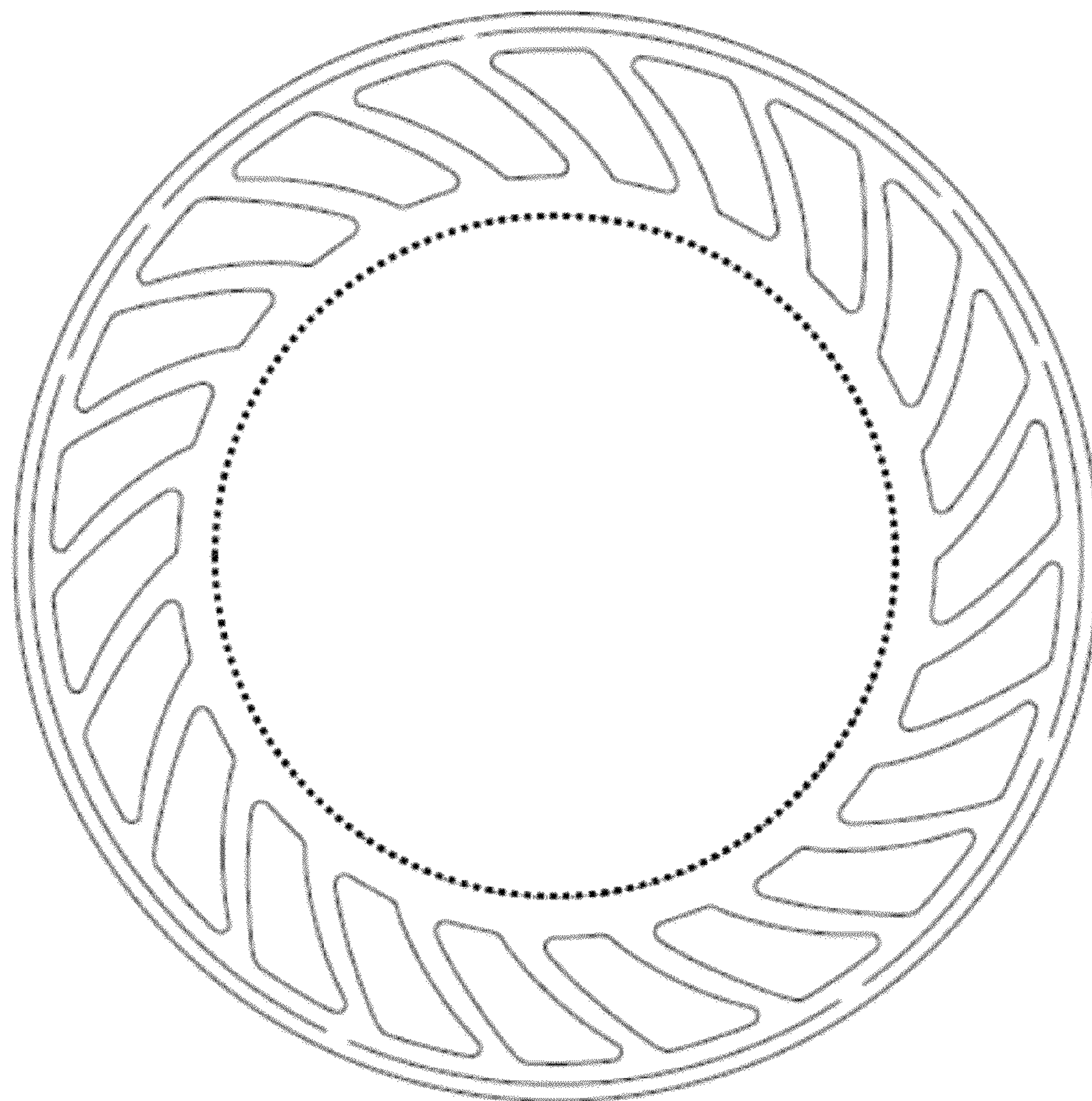


Fig. 2

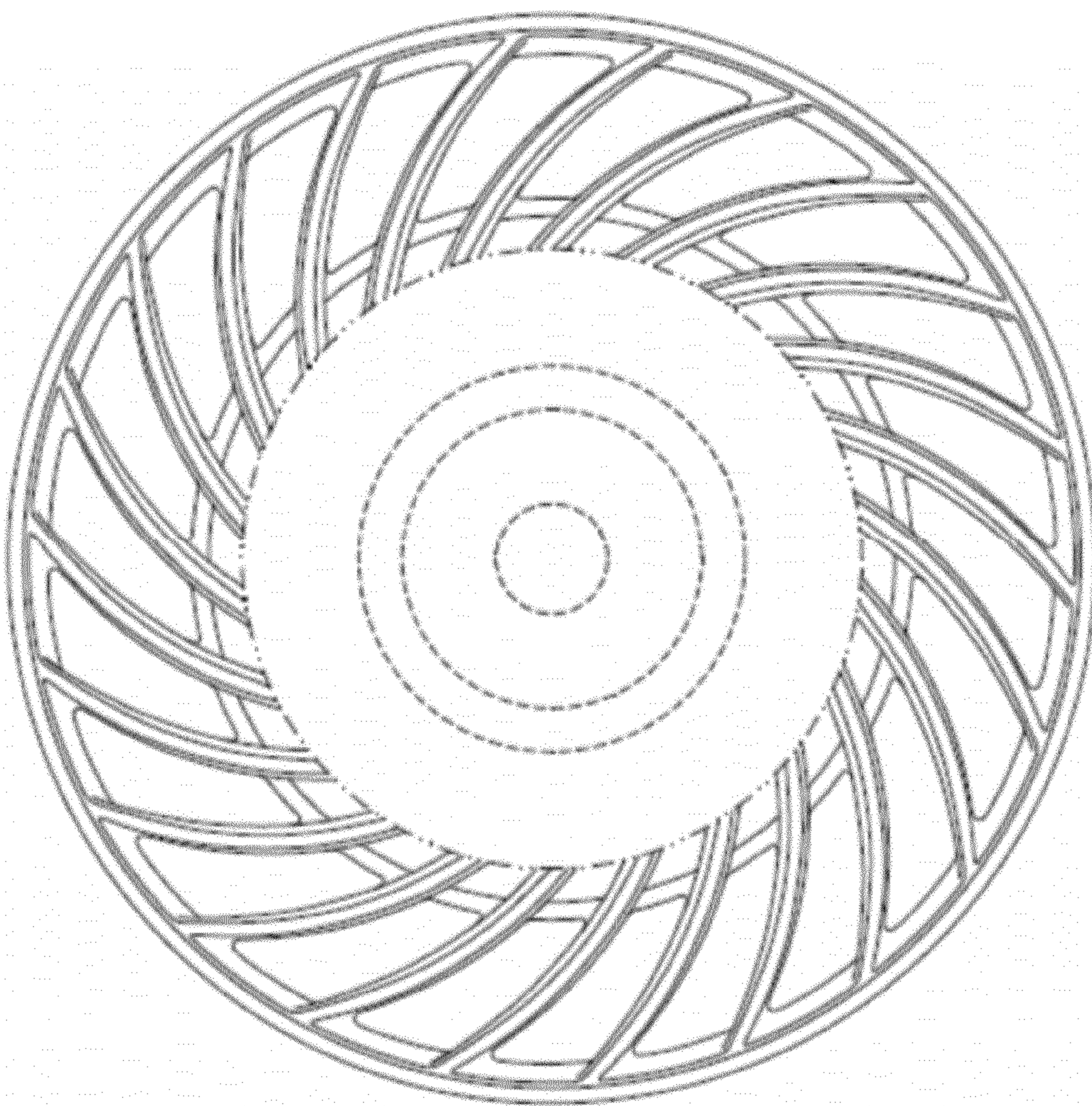


Fig. 3

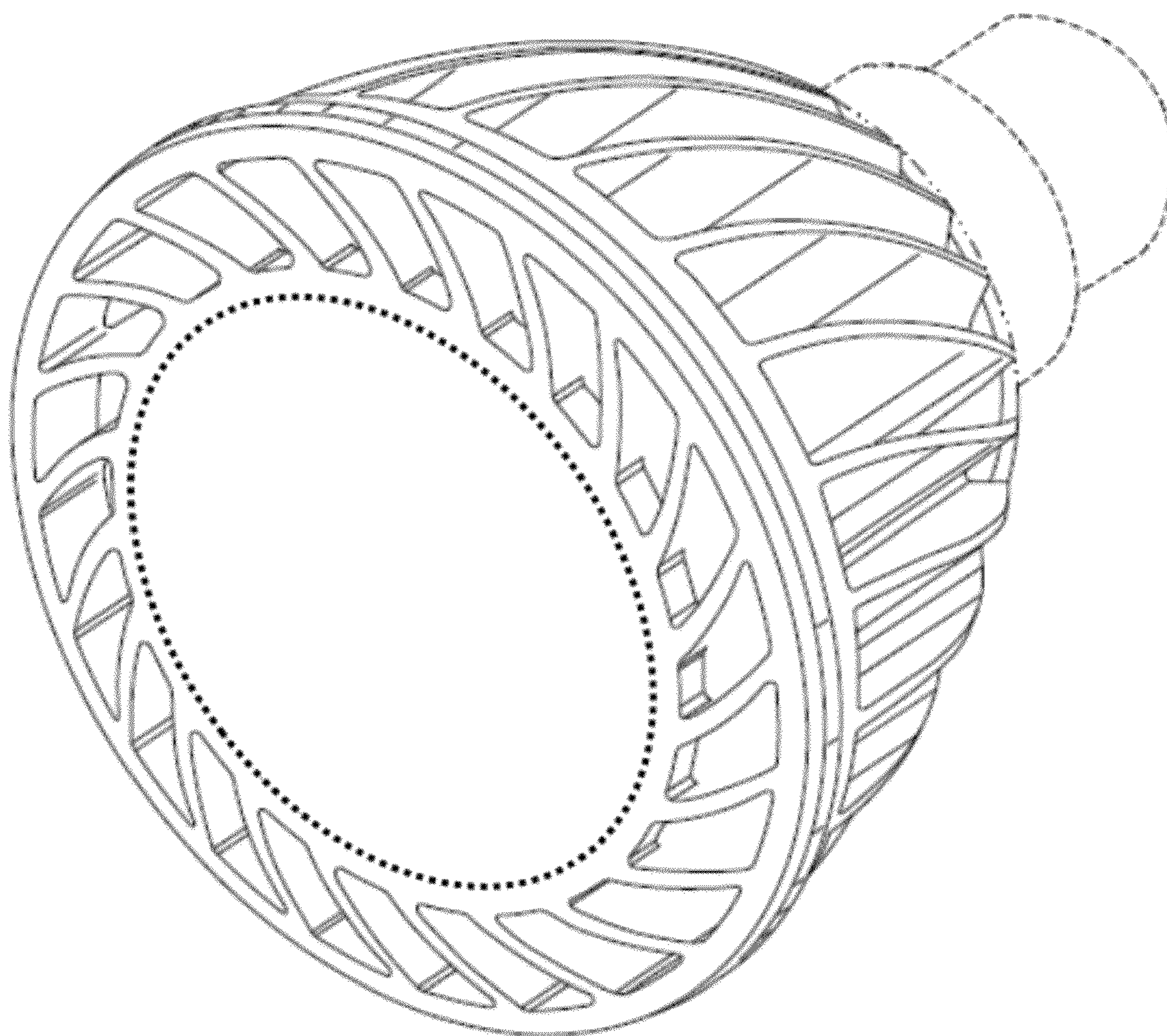


Fig. 4

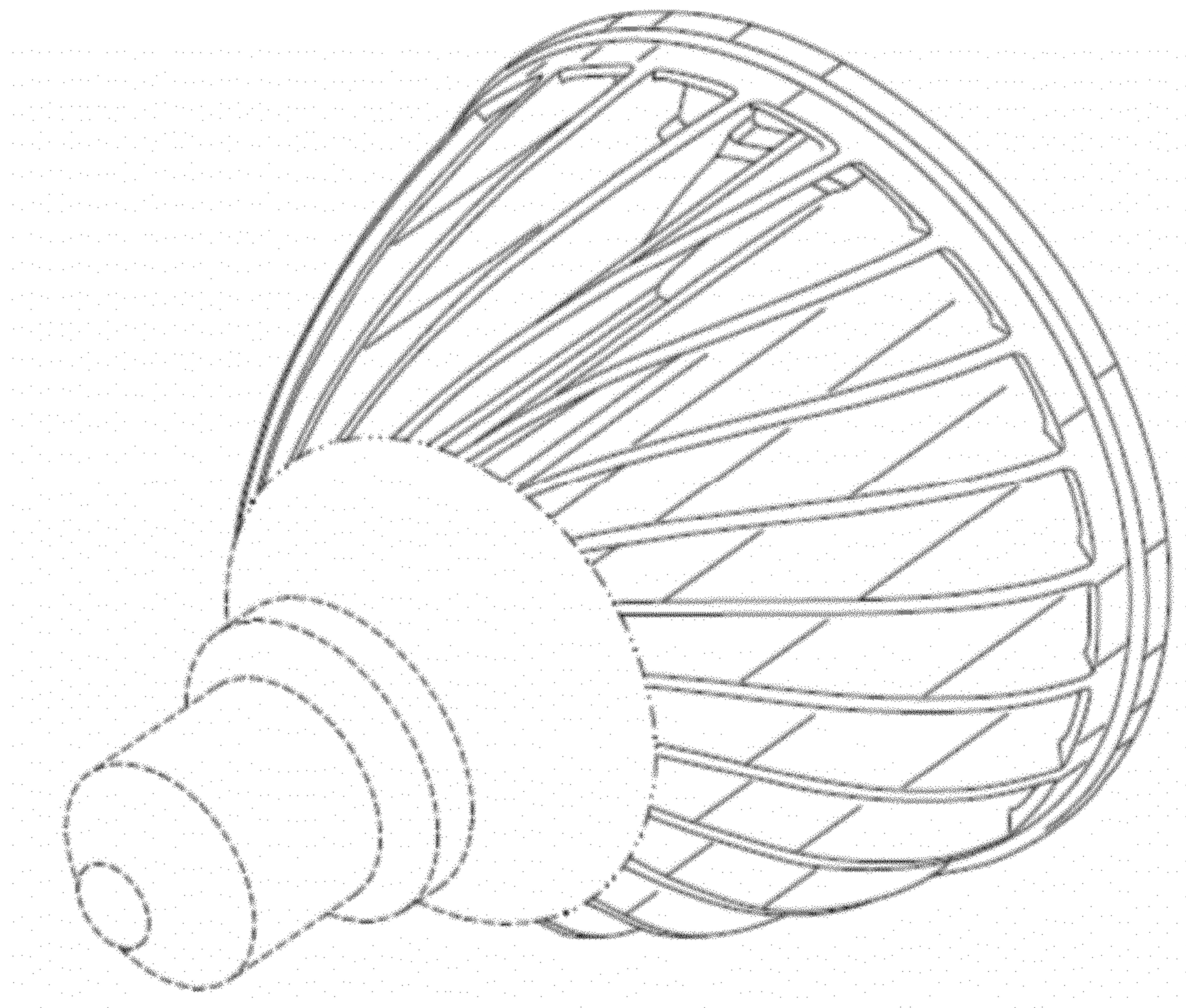


Fig. 5